



US00D693368S

(12) **United States Design Patent**
Ebeling et al.

(10) **Patent No.:** **US D693,368 S**

(45) **Date of Patent:** **** Nov. 12, 2013**

(54) **DISPLAY SCREEN WITH ANIMATED GRAPHICAL USER INTERFACE**

(75) Inventors: **Rolf Ebeling**, Kirkland, WA (US);
Melinda Knight, Bellevue, WA (US);
Tom Alphin, III, Krikland, WA (US);
Maverick Velasco, Sammamish, WA (US)

(73) Assignee: **Microsoft Corporation**, Redmond, WA (US)

(**) Term: **14 Years**

(21) Appl. No.: **29/428,877**

(22) Filed: **Aug. 3, 2012**

(51) **LOC (9) Cl.** **14-04**

(52) **U.S. Cl.**
USPC **D14/494**

(58) **Field of Classification Search**
USPC D14/485-495; D18/24-33; D20/11, 12, D20/18, 22-28; 715/700-867, 961-978
See application file for complete search history.

(56) **References Cited**

U.S. PATENT DOCUMENTS

7,760,187	B2 *	7/2010	Kennedy	345/173
8,179,338	B2 *	5/2012	Engel et al.	345/4
D664,973	S *	8/2012	Gleasant et al.	D14/486
2010/0235733	A1 *	9/2010	Driscoll et al.	715/702
2011/0010626	A1 *	1/2011	Fino et al.	715/727
2011/0119216	A1 *	5/2011	Wigdor	706/46
2011/0209088	A1 *	8/2011	Hinckley et al.	715/810
2012/0144339	A1 *	6/2012	Huang et al.	715/776
2012/0216141	A1 *	8/2012	Li	715/780

2013/0014013	A1 *	1/2013	Aoki et al.	715/716
2013/0042206	A1 *	2/2013	Zaman et al.	715/814
2013/0067398	A1 *	3/2013	Pittappilly et al.	715/800
2013/0091460	A1 *	4/2013	Khan et al.	715/803

* cited by examiner

Primary Examiner — Mary Ann Calabrese

(74) *Attorney, Agent, or Firm* — Banner & Witcoff, Ltd.

(57) **CLAIM**

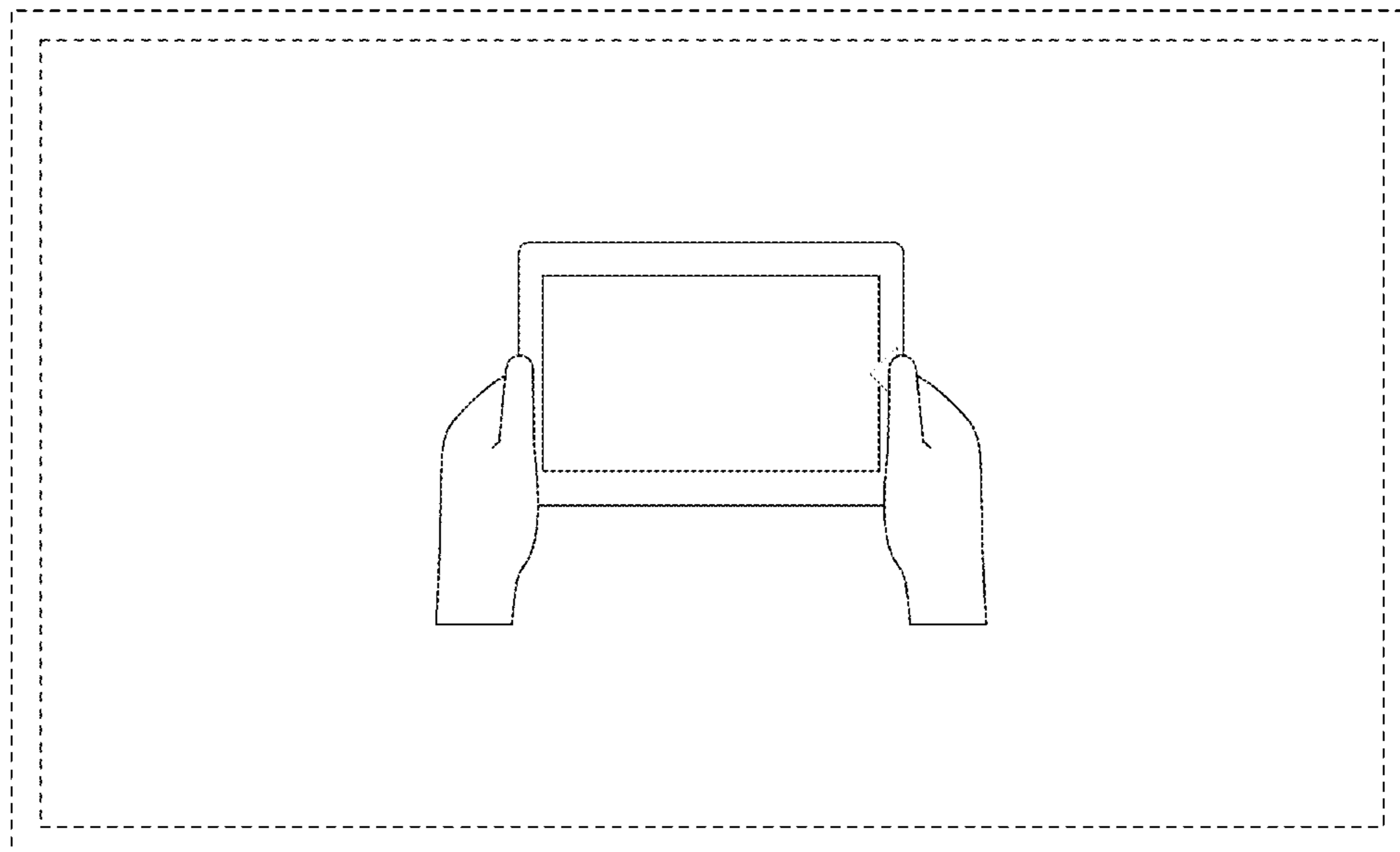
The ornamental design for a display screen with animated graphical user interface, as shown and described.

DESCRIPTION

FIG. 1 is the first image in a sequence for a display screen with animated graphical user interface showing our new design; FIG. 2 is the second image thereof; FIG. 3 is the third image thereof; FIG. 4 is the fourth image thereof; FIG. 5 is the fifth image thereof; FIG. 6 is the sixth image thereof; FIG. 7 is the seventh image thereof; FIG. 8 is the eighth image thereof; FIG. 9 is the ninth image thereof; FIG. 10 is the tenth image thereof; FIG. 11 is the eleventh image thereof; and, FIG. 12 is the twelfth image thereof.

The appearance of the animated graphical user interface sequentially transitions between the images shown in FIGS. 1-12. The process or period in which one image transitions to another forms no part of the claimed design. The broken line showing of the remainder of the display screen is for environmental purposes only and forms no part of the claimed design.

1 Claim, 12 Drawing Sheets



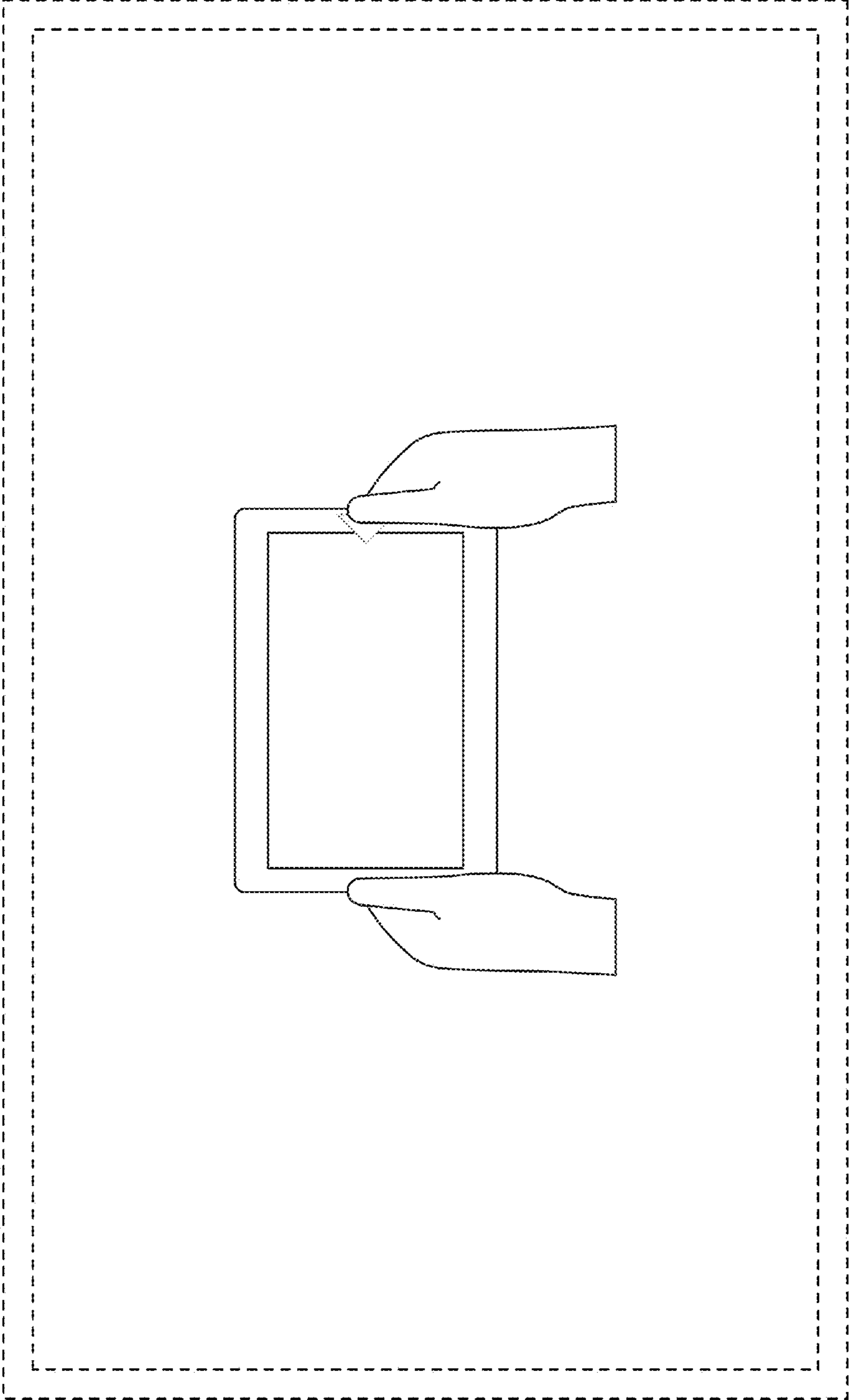


FIG. 1

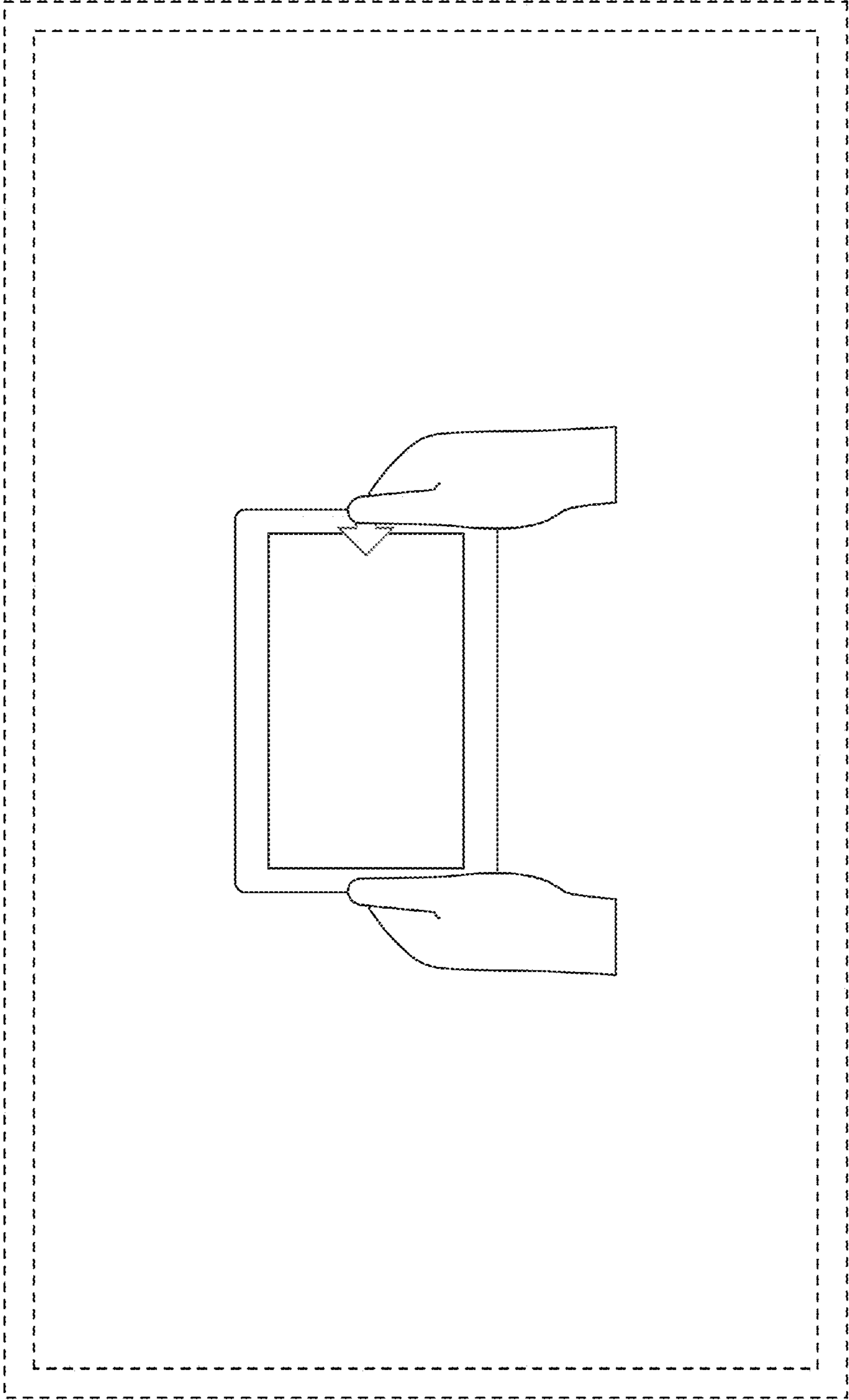


FIG. 2

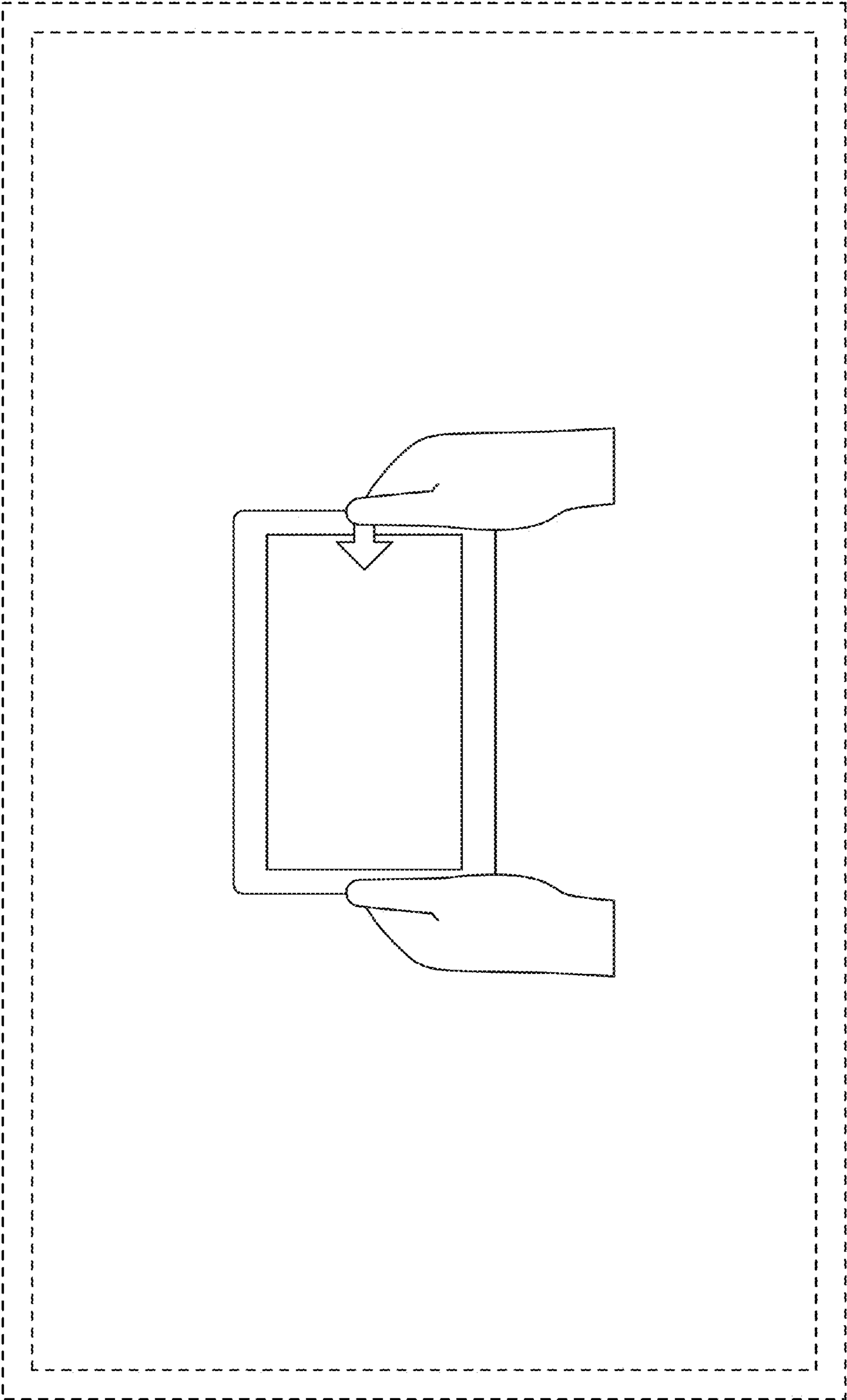


FIG. 3

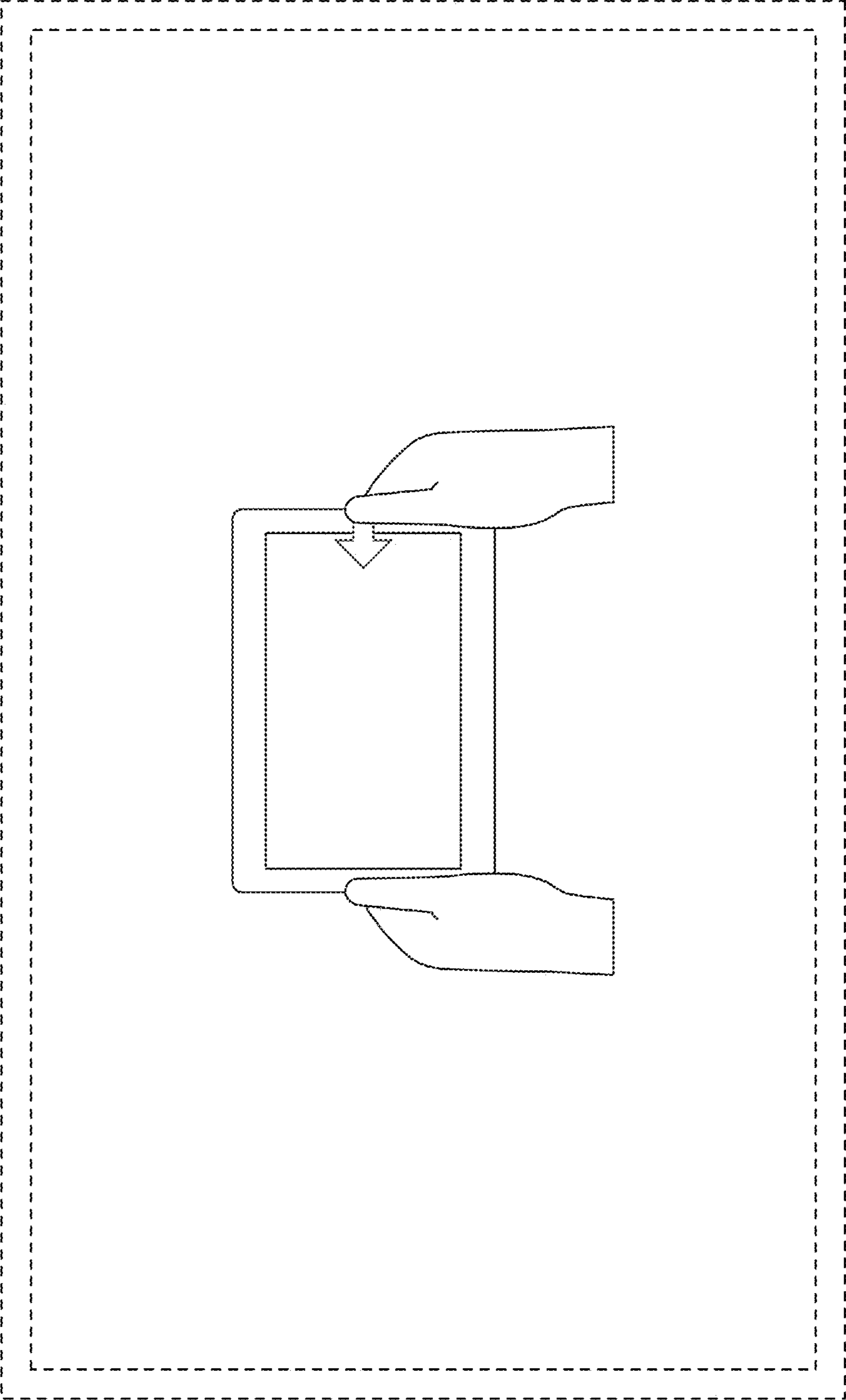


FIG. 4

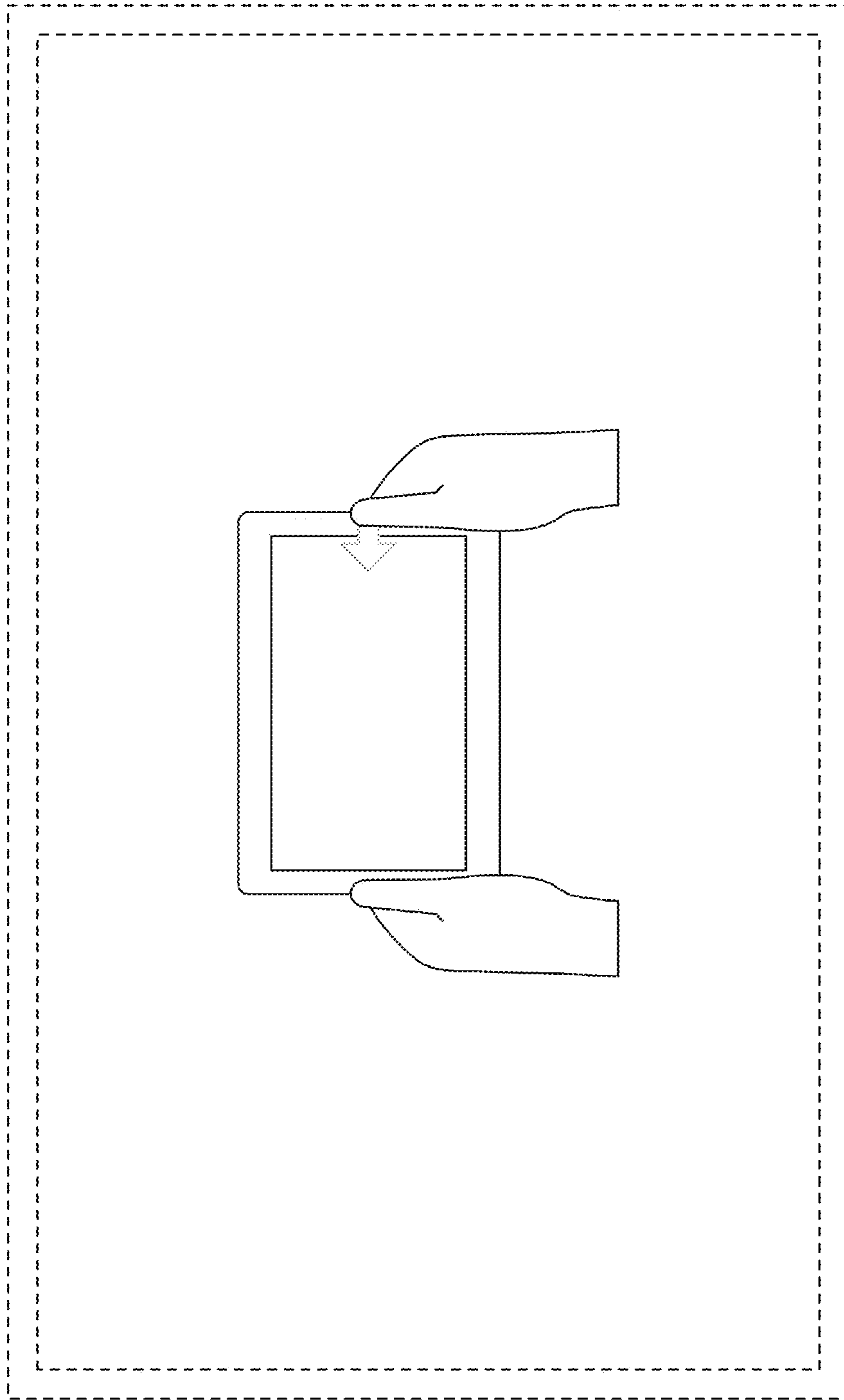


FIG. 5

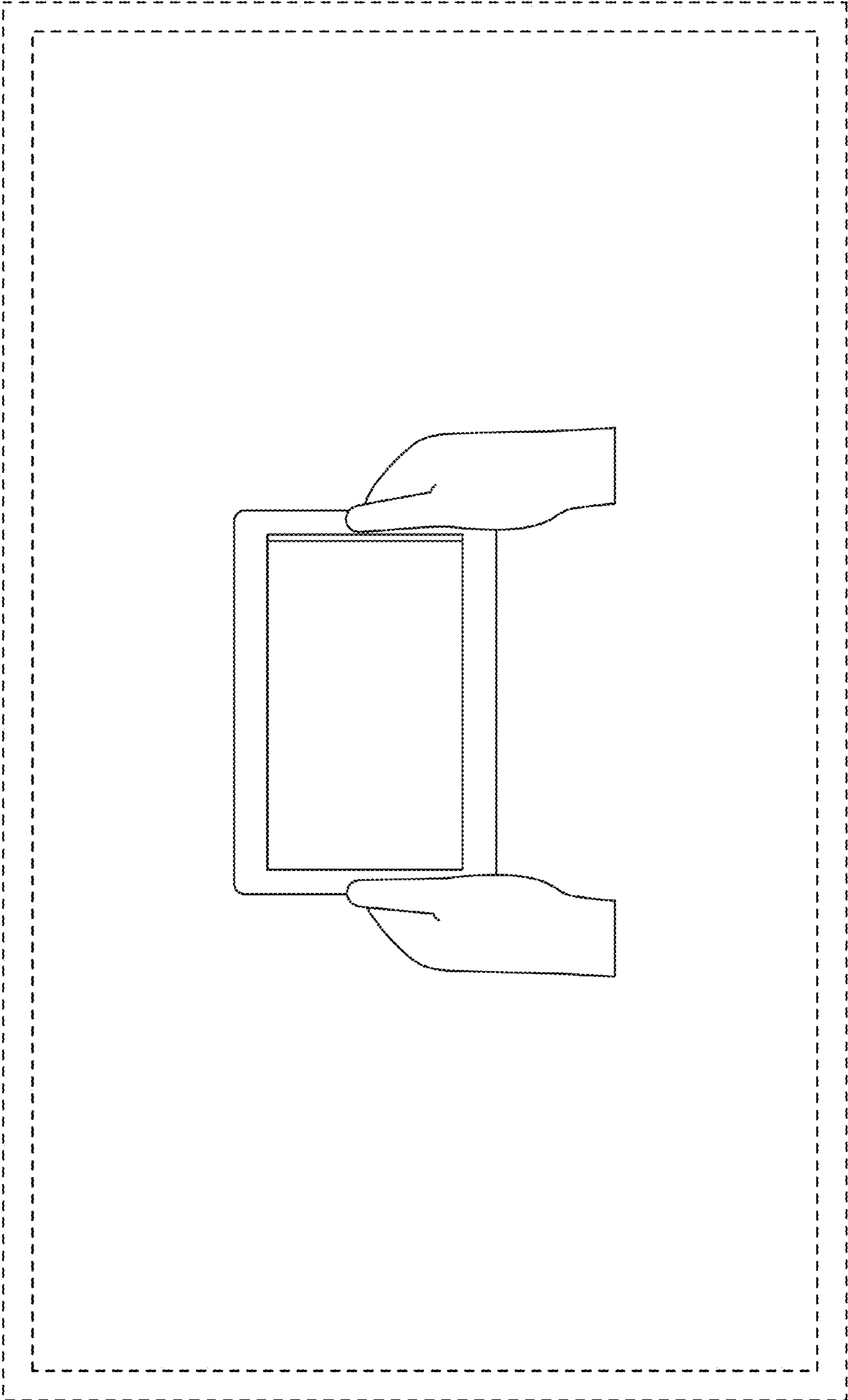


FIG. 6

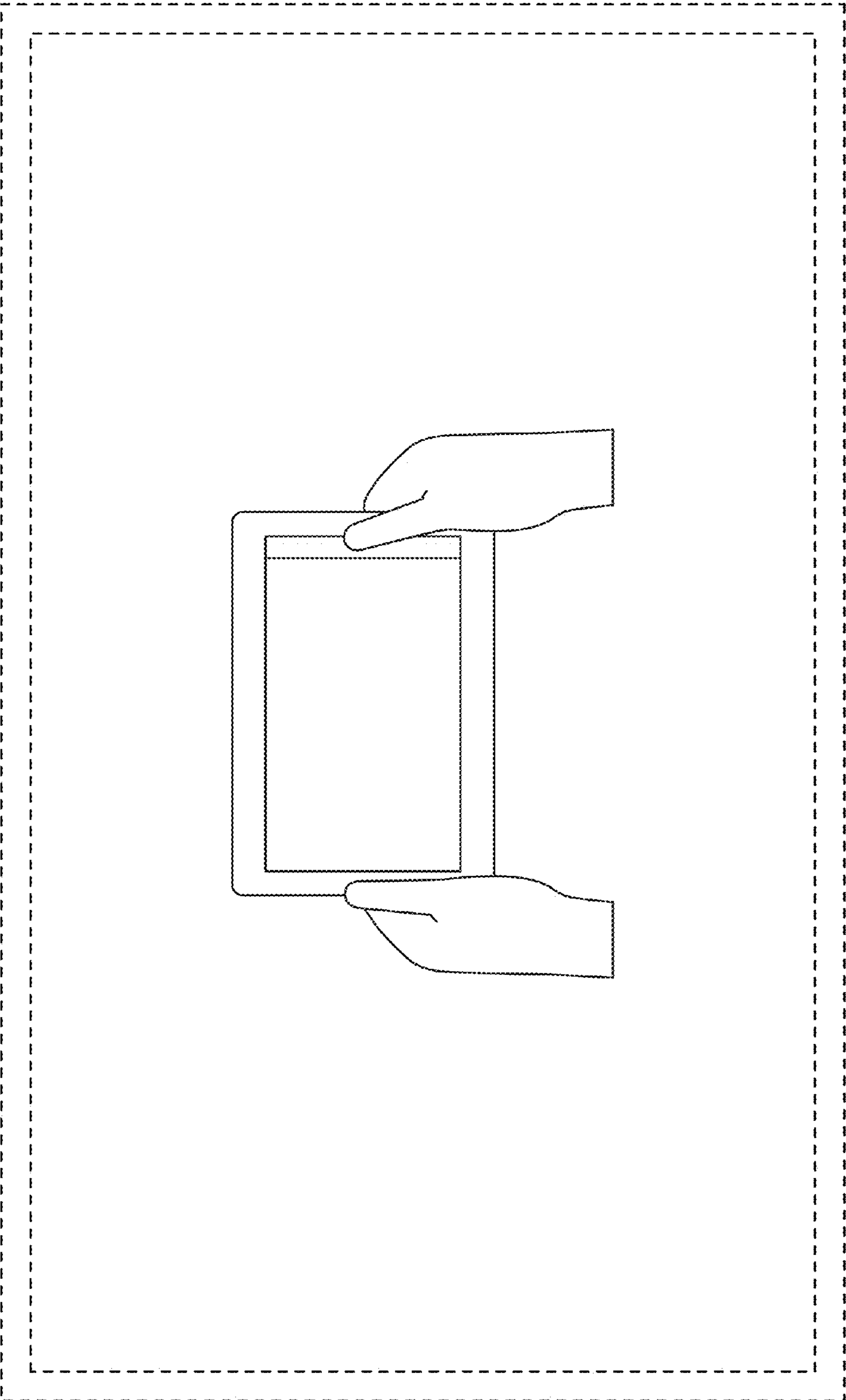


FIG. 7

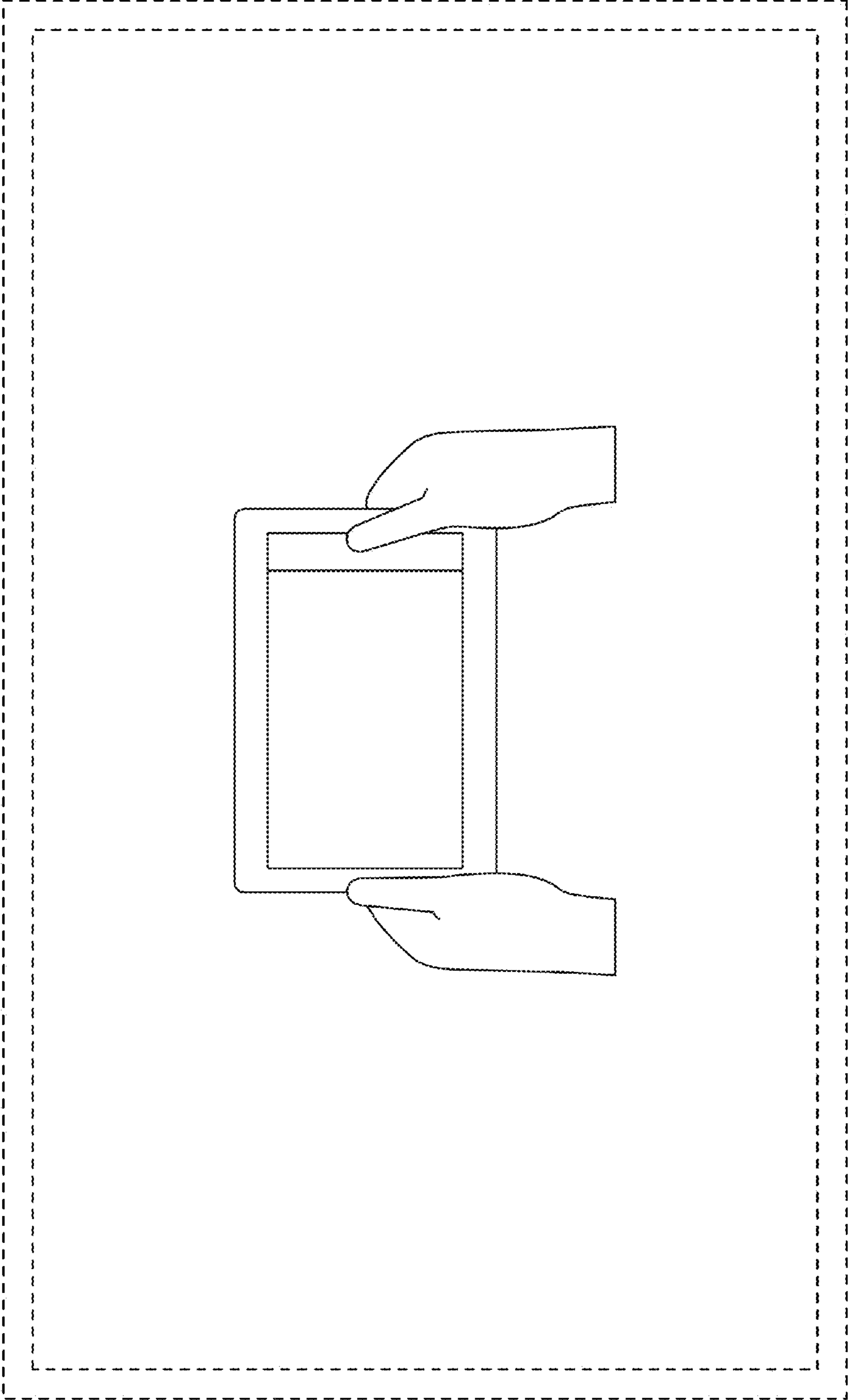


FIG. 8

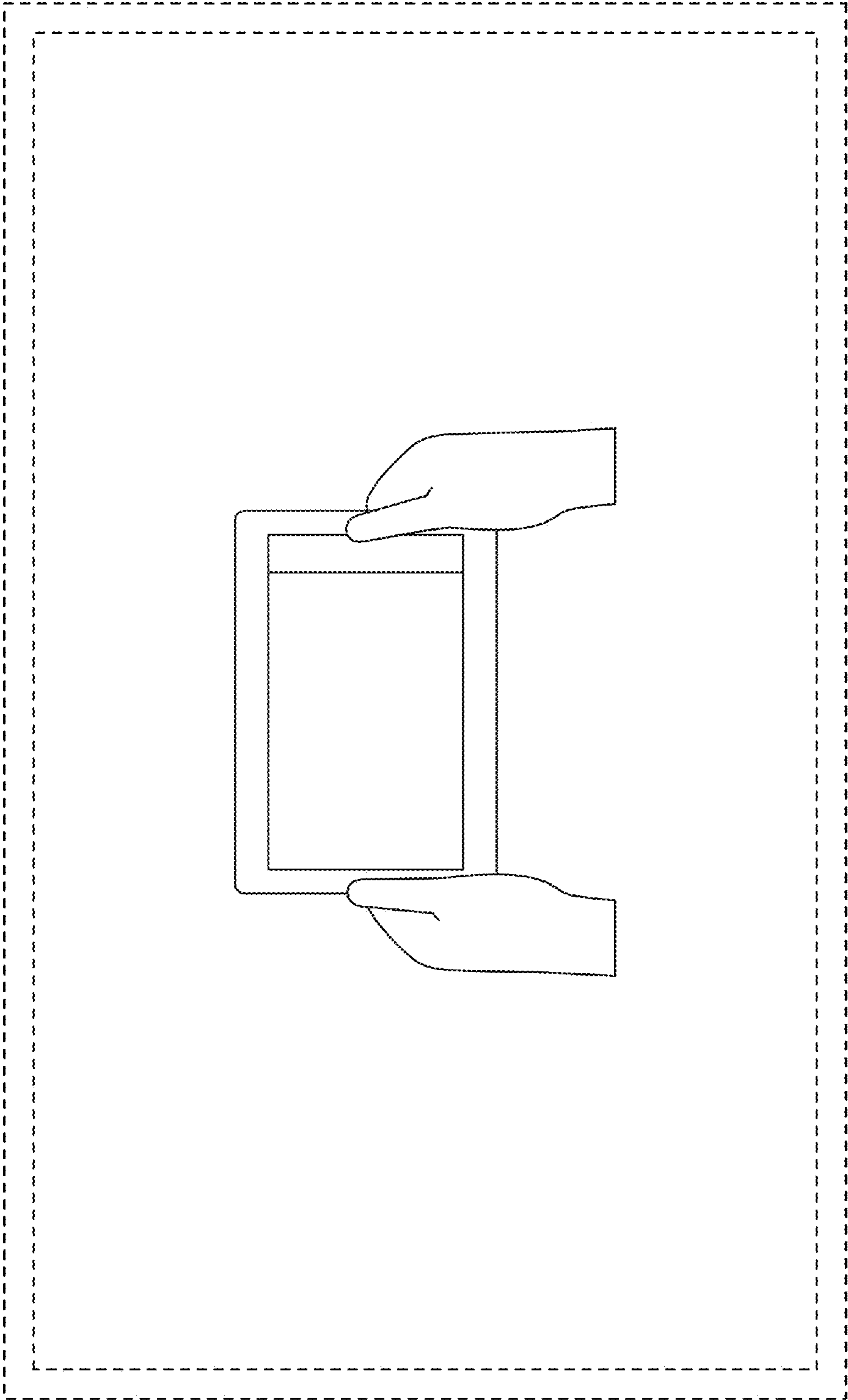


FIG. 9

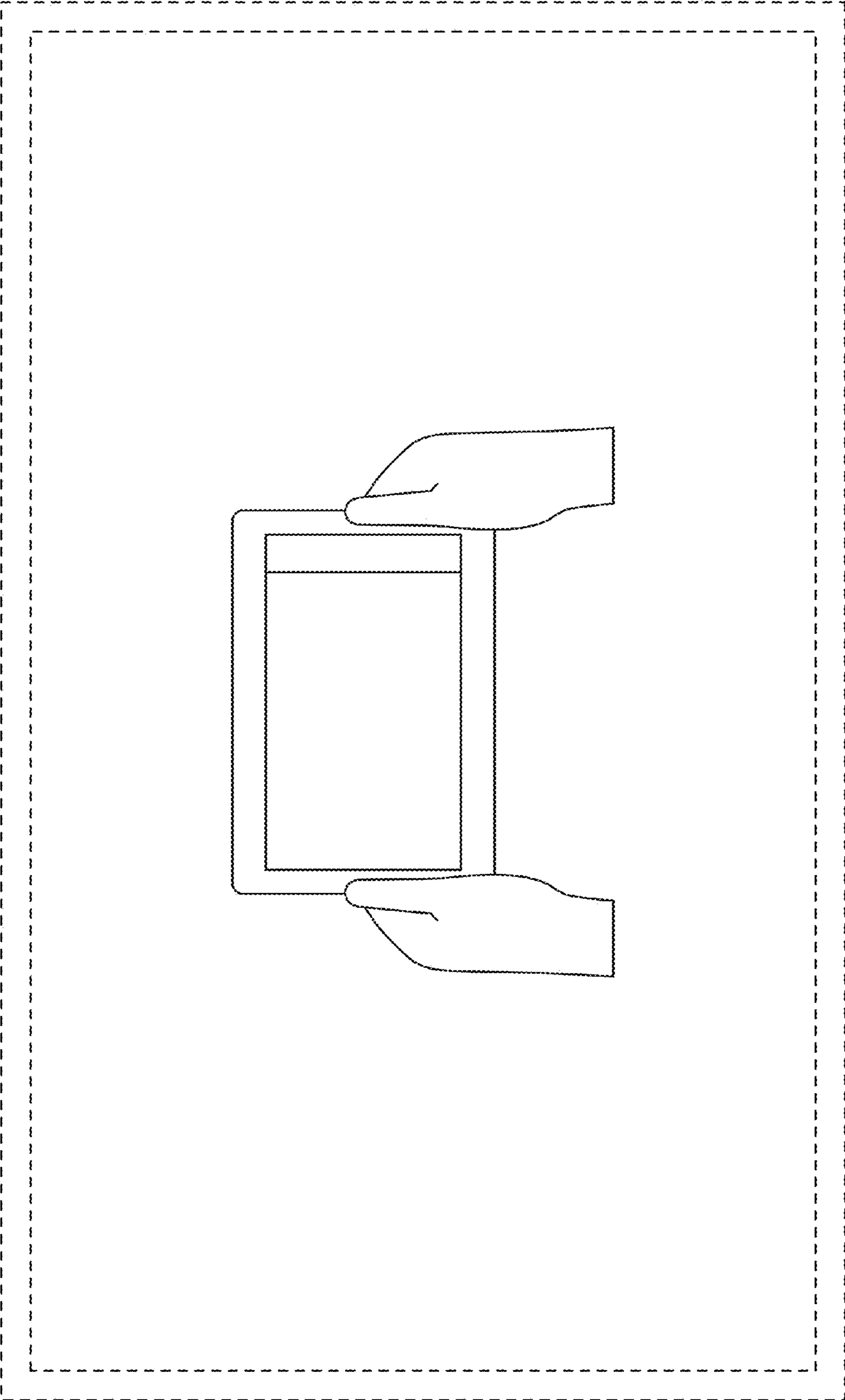


FIG. 10

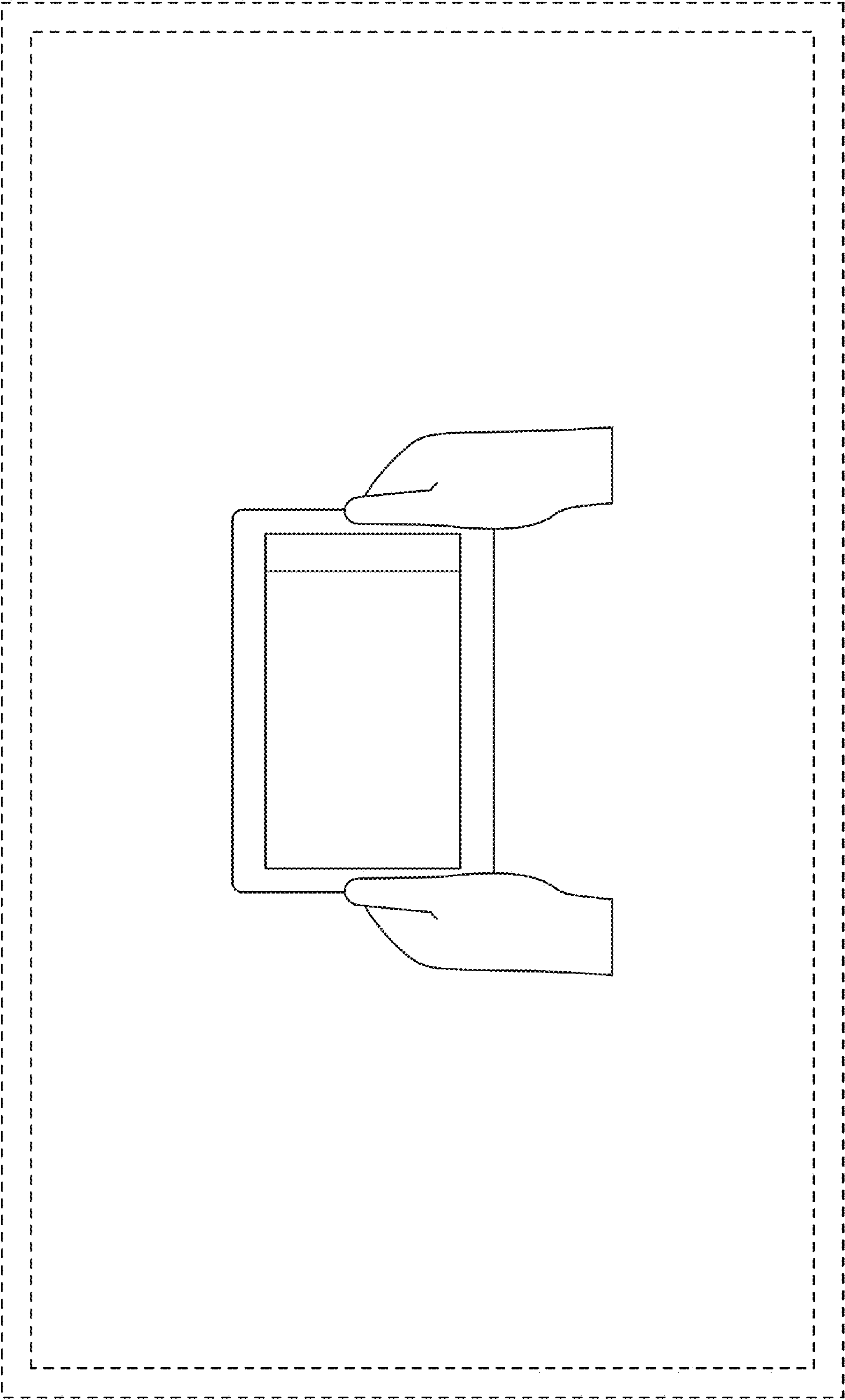


FIG. 11

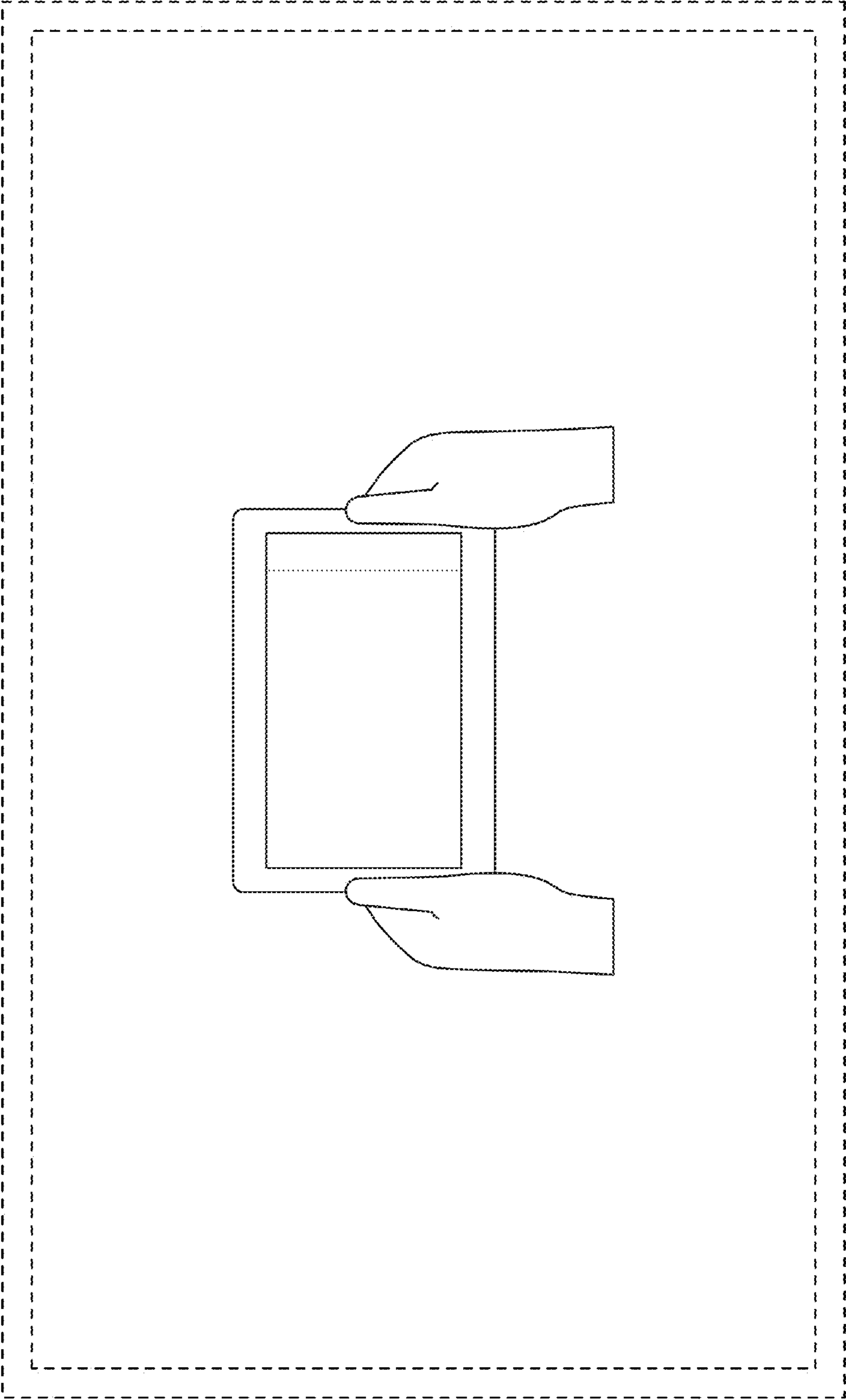


FIG. 12