



US00D693367S

(12) **United States Design Patent**  
**Daniel**

(10) **Patent No.:** **US D693,367 S**  
(45) **Date of Patent:** **\*\* Nov. 12, 2013**

(54) **COMPUTER SCREEN WITH ICON**

(71) Applicant: **Isaac S. Daniel**, Miramar, FL (US)

(72) Inventor: **Isaac S. Daniel**, Miramar, FL (US)

(\*\*) Term: **14 Years**

(21) Appl. No.: **29/447,777**

(22) Filed: **Mar. 6, 2013**

**Related U.S. Application Data**

(63) Continuation-in-part of application No. 29/428,652, filed on Aug. 1, 2012, and a continuation-in-part of application No. 29/428,651, filed on Aug. 1, 2012, and a continuation-in-part of application No. 29/427,716, filed on Jul. 20, 2012, and a continuation-in-part of application No. 29/402,350, filed on Sep. 22, 2011.

(51) **LOC (9) Cl.** ..... **14-04**

(52) **U.S. Cl.**  
USPC ..... **D14/489**

(58) **Field of Classification Search**  
USPC ..... D14/485–498; D12/175, 176; 715/763,  
715/837, 771, 797, 848, 748, 205; 709/217,  
709/218

See application file for complete search history.

(56) **References Cited**

**U.S. PATENT DOCUMENTS**

D277,114 S *	1/1985	Gordon	.....	D20/11
D390,548 S *	2/1998	Maekawa et al.	.....	D14/488
D438,699 S *	3/2001	Campman	.....	D3/215
D452,692 S *	1/2002	Fukuda	.....	D14/489
D497,617 S *	10/2004	Decombe et al.	.....	D14/486
6,857,106 B1 *	2/2005	Brouaux	.....	715/837
D506,474 S *	6/2005	Gildred	.....	D14/486
D547,767 S *	7/2007	Jewitt	.....	D14/492
D550,700 S *	9/2007	Griffith	.....	D14/492
D572,720 S *	7/2008	Fletcher	.....	D14/492
D588,154 S *	3/2009	Bouchard et al.	.....	D14/489

D589,792 S *	4/2009	Clabough et al.	.....	D9/434
D593,571 S *	6/2009	Ball et al.	.....	D14/485
D599,378 S *	9/2009	Mays	.....	D14/492
D606,552 S *	12/2009	Kocmick	.....	D14/492
D613,750 S *	4/2010	Truelove et al.	.....	D14/492
D626,137 S *	10/2010	McLaughlin et al.	.....	D14/486
D627,791 S *	11/2010	Lamb et al.	.....	D14/489
D628,595 S *	12/2010	Danhope-Smith	.....	D14/493
D629,814 S *	12/2010	Lew	.....	D14/492
D640,327 S *	6/2011	Gorzo	.....	D20/22
D642,195 S *	7/2011	Marks et al.	.....	D14/490
D642,196 S *	7/2011	Fong et al.	.....	D14/492
D647,103 S *	10/2011	Barcheck et al.	.....	D14/489
D649,159 S *	11/2011	Viggers et al.	.....	D14/492
D650,799 S *	12/2011	Wantland et al.	.....	D14/493

(Continued)

*Primary Examiner* — Kevin Rudzinski

(74) *Attorney, Agent, or Firm* — Carol N. Green, Esq.

(57) **CLAIM**

The ornamental design for a computer screen with icon, as shown and described.

**DESCRIPTION**

FIG. 1 is a front elevation view of the computer screen with icon showing a first embodiment.

FIG. 2 is a perspective view thereof.

FIG. 3 is another perspective view thereof.

FIG. 4 is a front elevation view of the computer screen with icon, which includes an alphanumeric character, showing a second embodiment.

FIG. 5 is a front elevation view of the computer screen with icon showing a third embodiment.

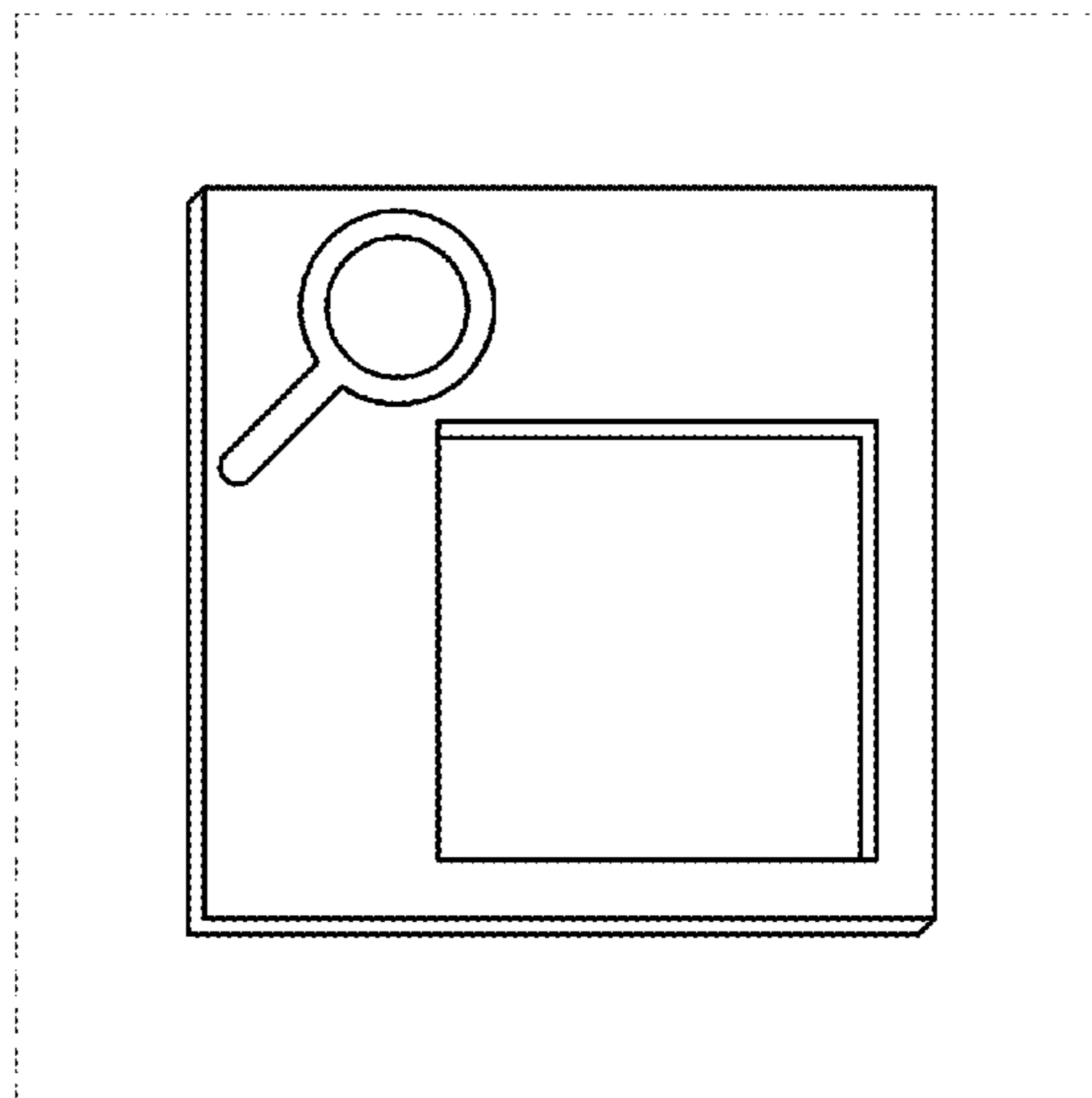
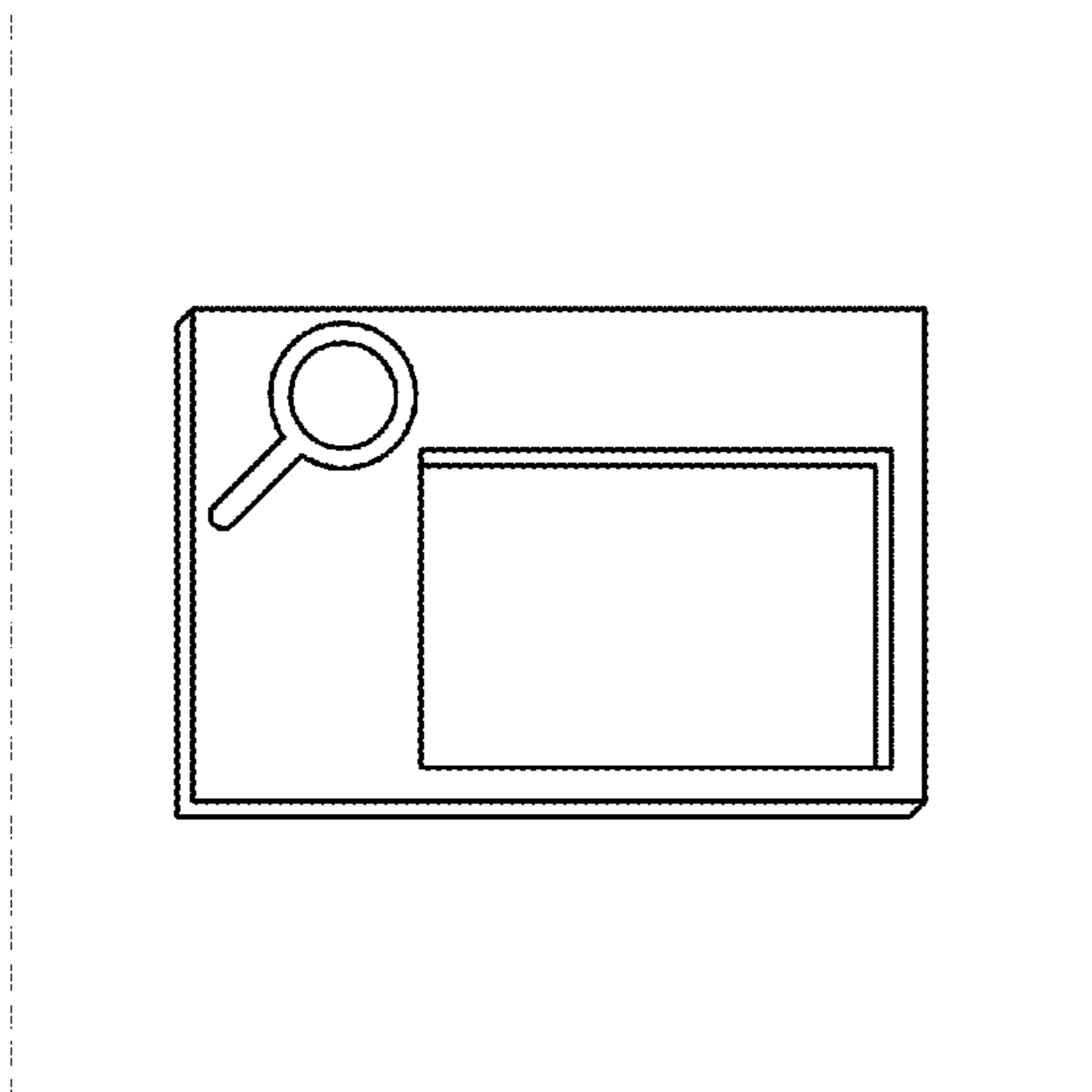
FIG. 6 is a perspective view thereof.

FIG. 7 is another perspective view thereof; and,

FIG. 8 is a front elevation view of the computer screen with icon, which includes an alphanumeric character, showing a fourth embodiment.

The outer broken lines illustrating portions of the computer screen form no part of the claimed design.

**1 Claim, 4 Drawing Sheets**



(56)

**References Cited**

U.S. PATENT DOCUMENTS

D659,708 S \* 5/2012 Amos ..... D14/489  
D660,090 S \* 5/2012 Lane et al. .... D7/624.1  
D661,585 S \* 6/2012 Anderson et al. .... D9/457  
D662,418 S \* 6/2012 Anderson et al. .... D9/457  
D667,435 S \* 9/2012 Majeti et al. .... D14/492

D674,994 S \* 1/2013 Danner ..... D2/891  
D677,194 S \* 3/2013 Marovic et al. .... D11/95  
D682,042 S \* 5/2013 Sanders ..... D7/619.2  
D682,297 S \* 5/2013 Dijulio et al. .... D14/487  
D682,298 S \* 5/2013 Dijulio et al. .... D14/487  
D683,358 S \* 5/2013 Garn et al. .... D14/489  
2006/0143963 A1 \* 7/2006 Nowakowski ..... 40/673

\* cited by examiner

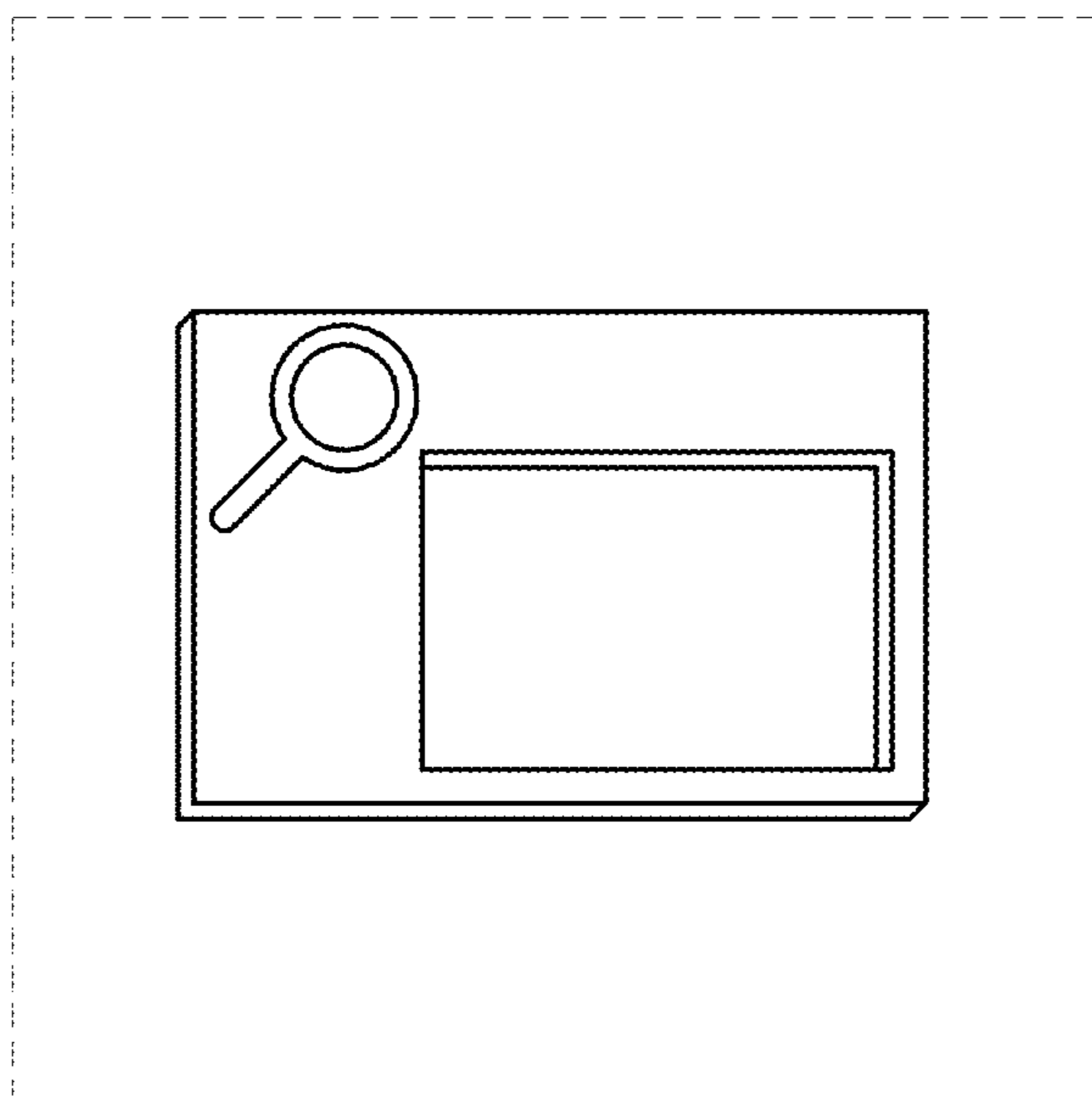


FIG. 1

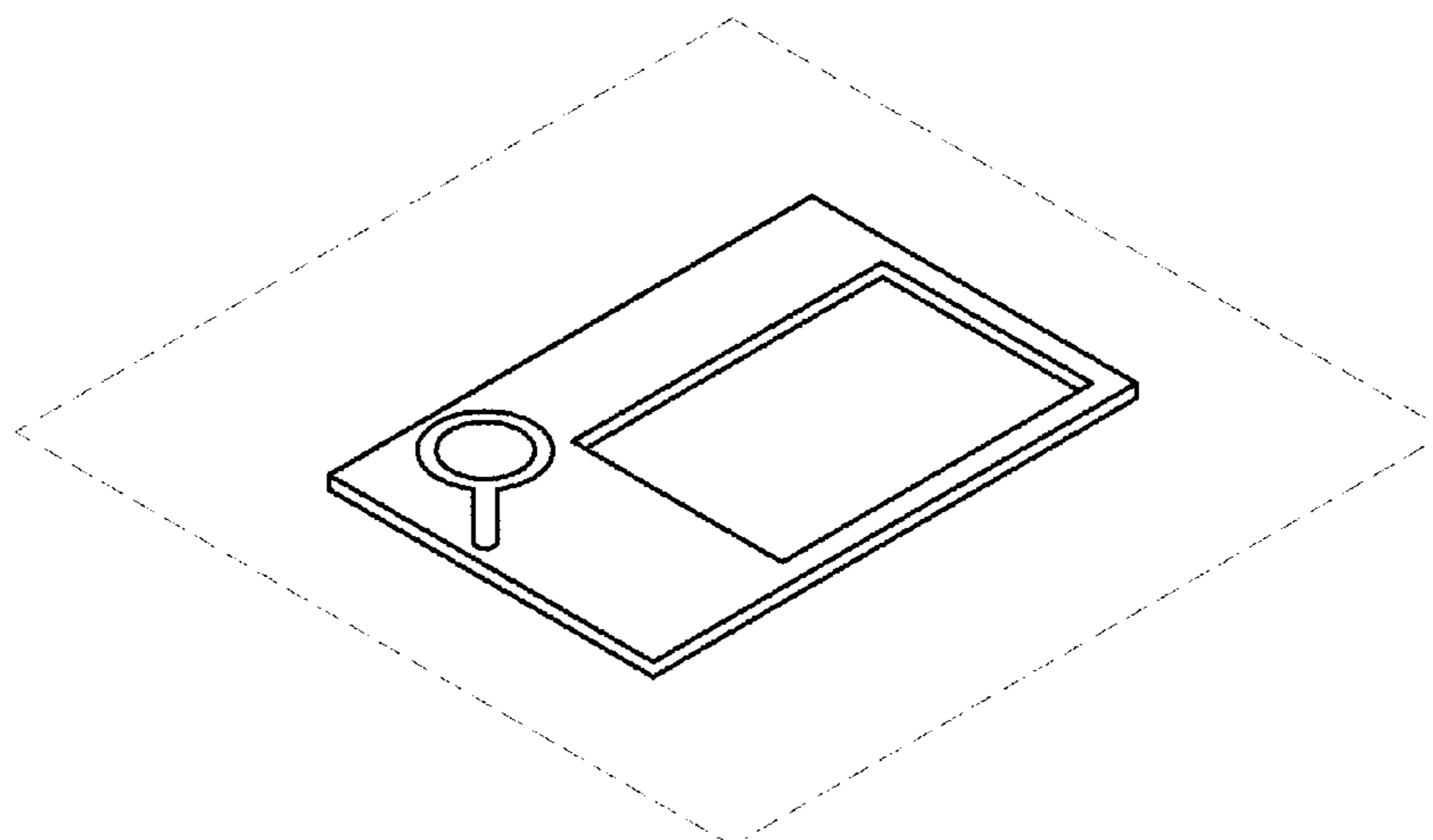


FIG. 2

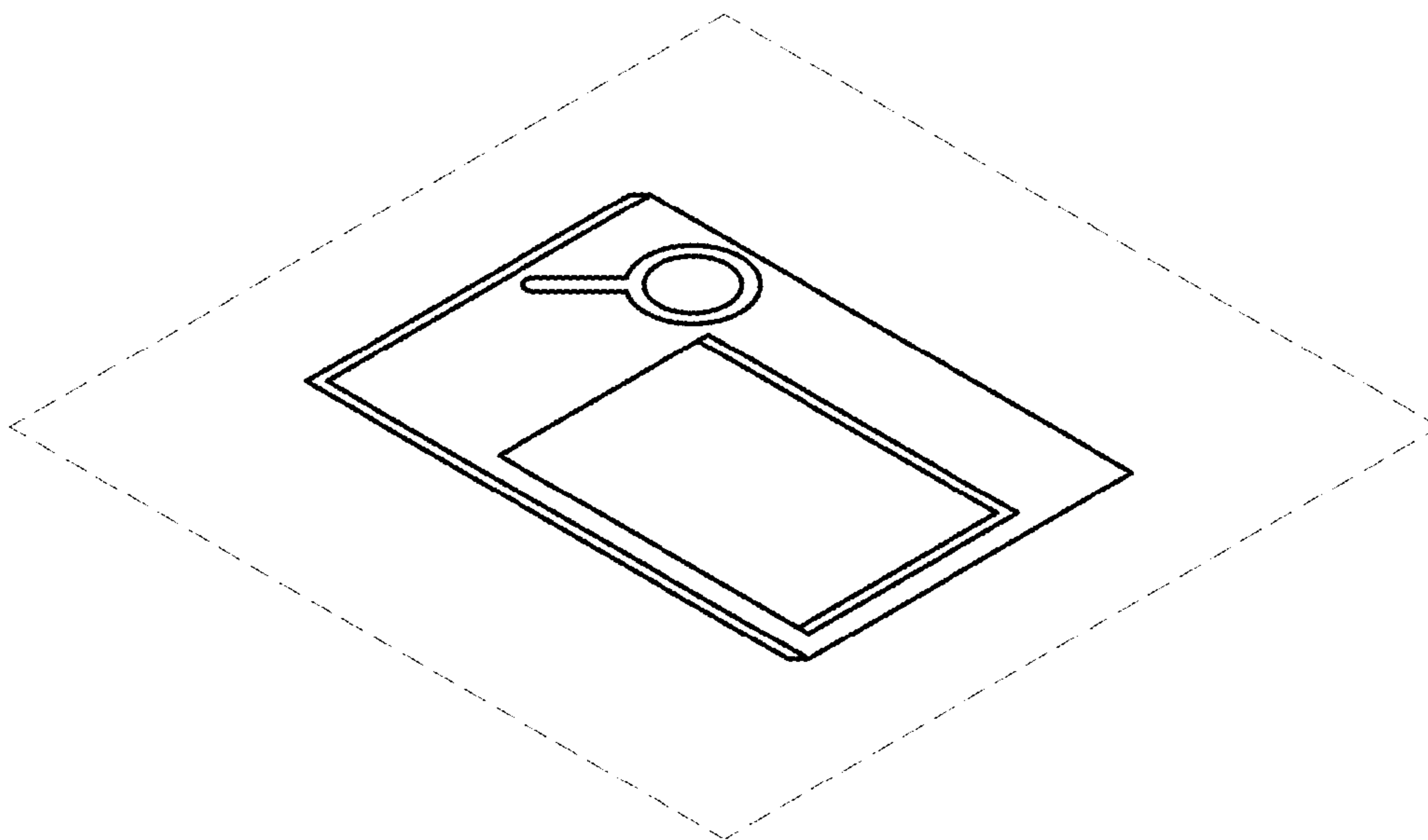


FIG. 3

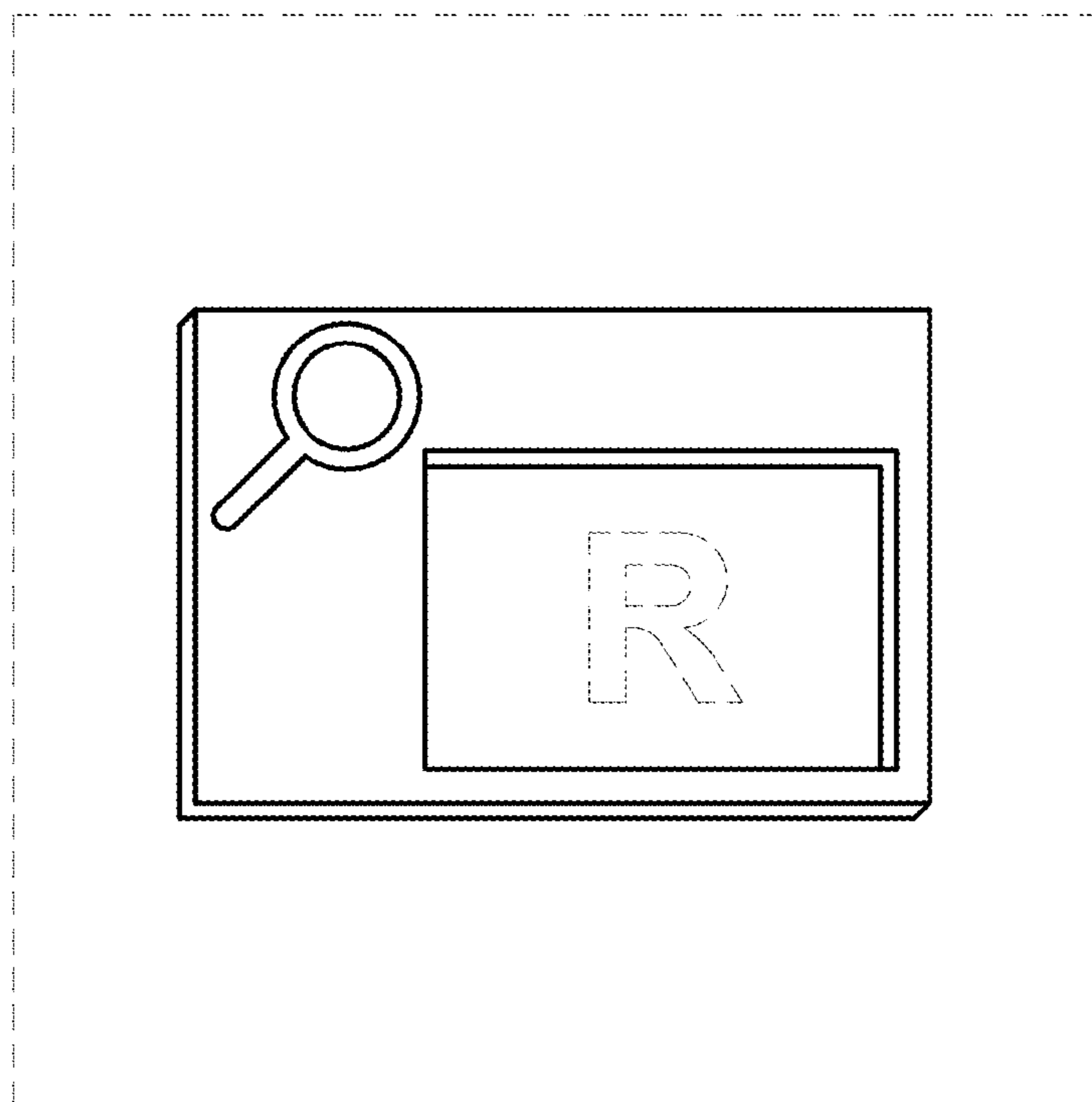


FIG. 4

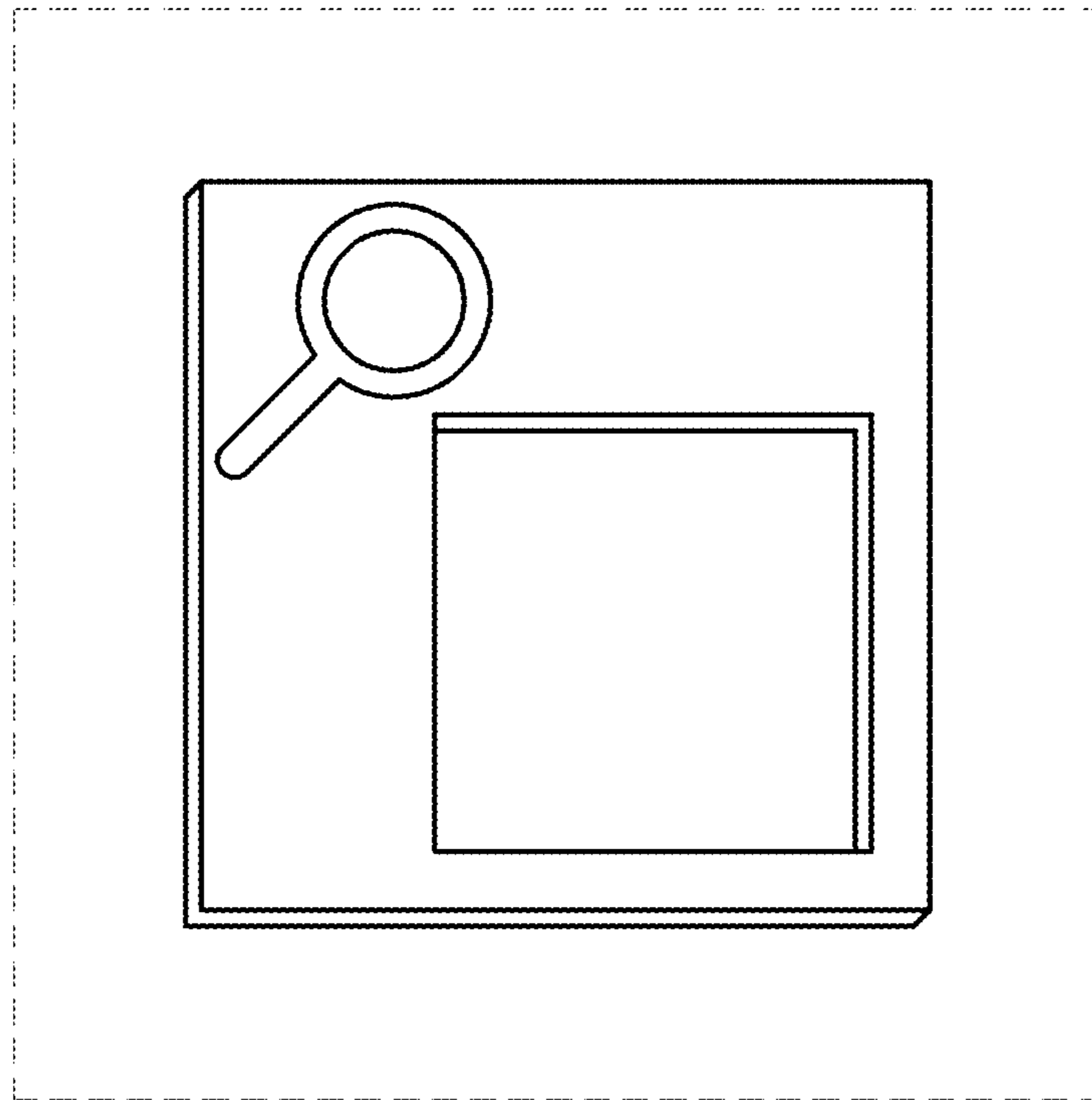


FIG. 5

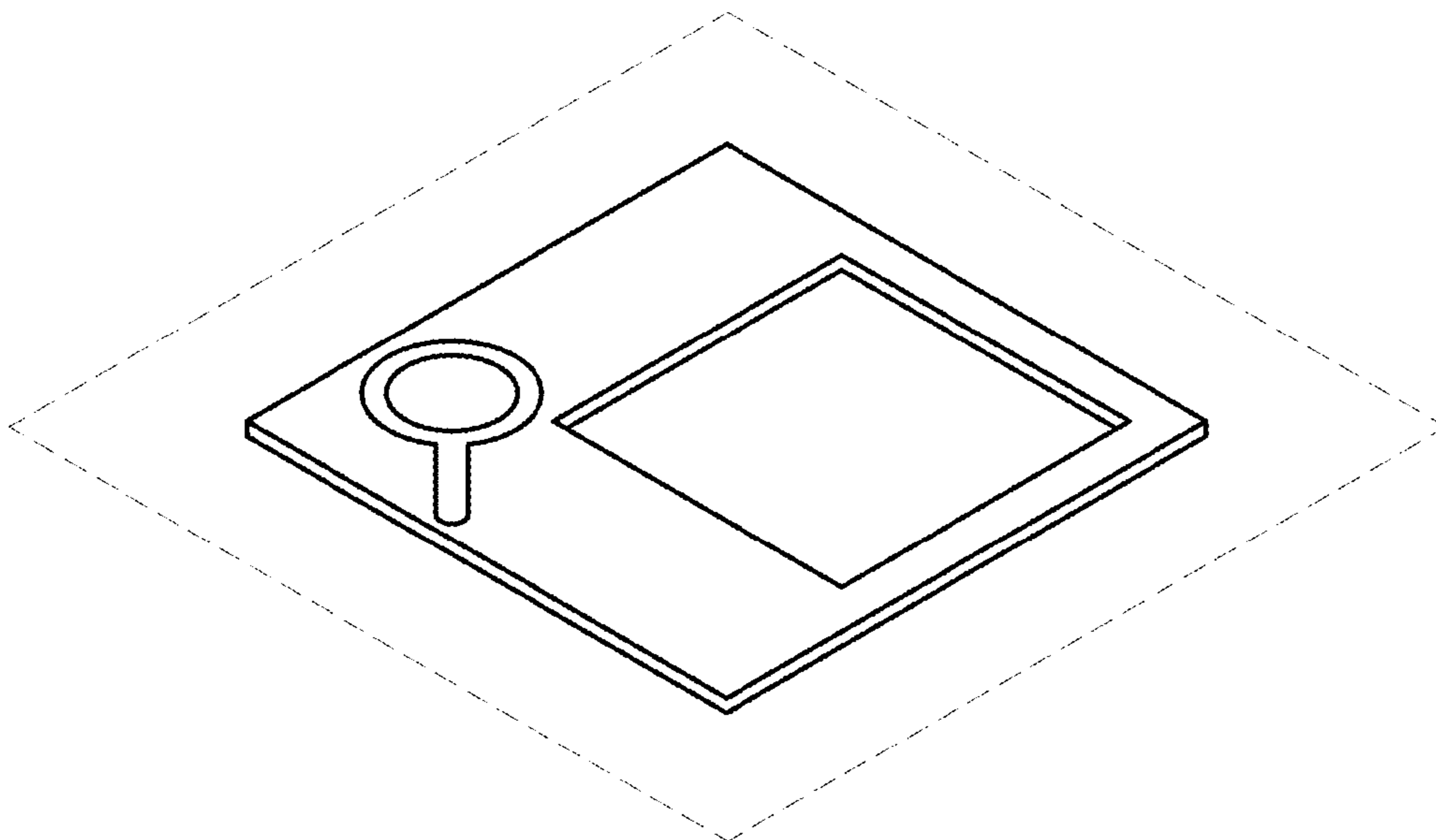


FIG. 6

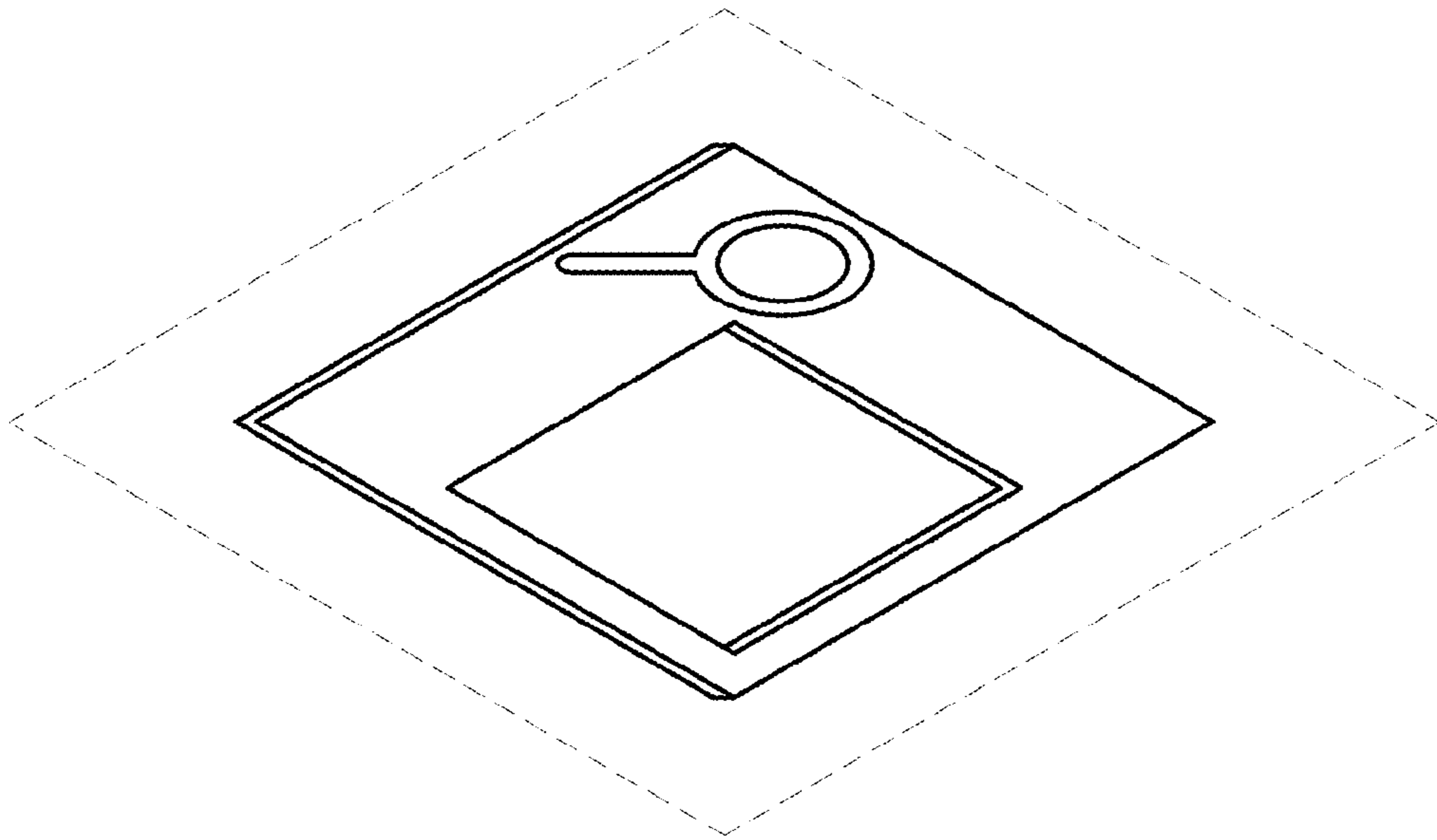


FIG. 7

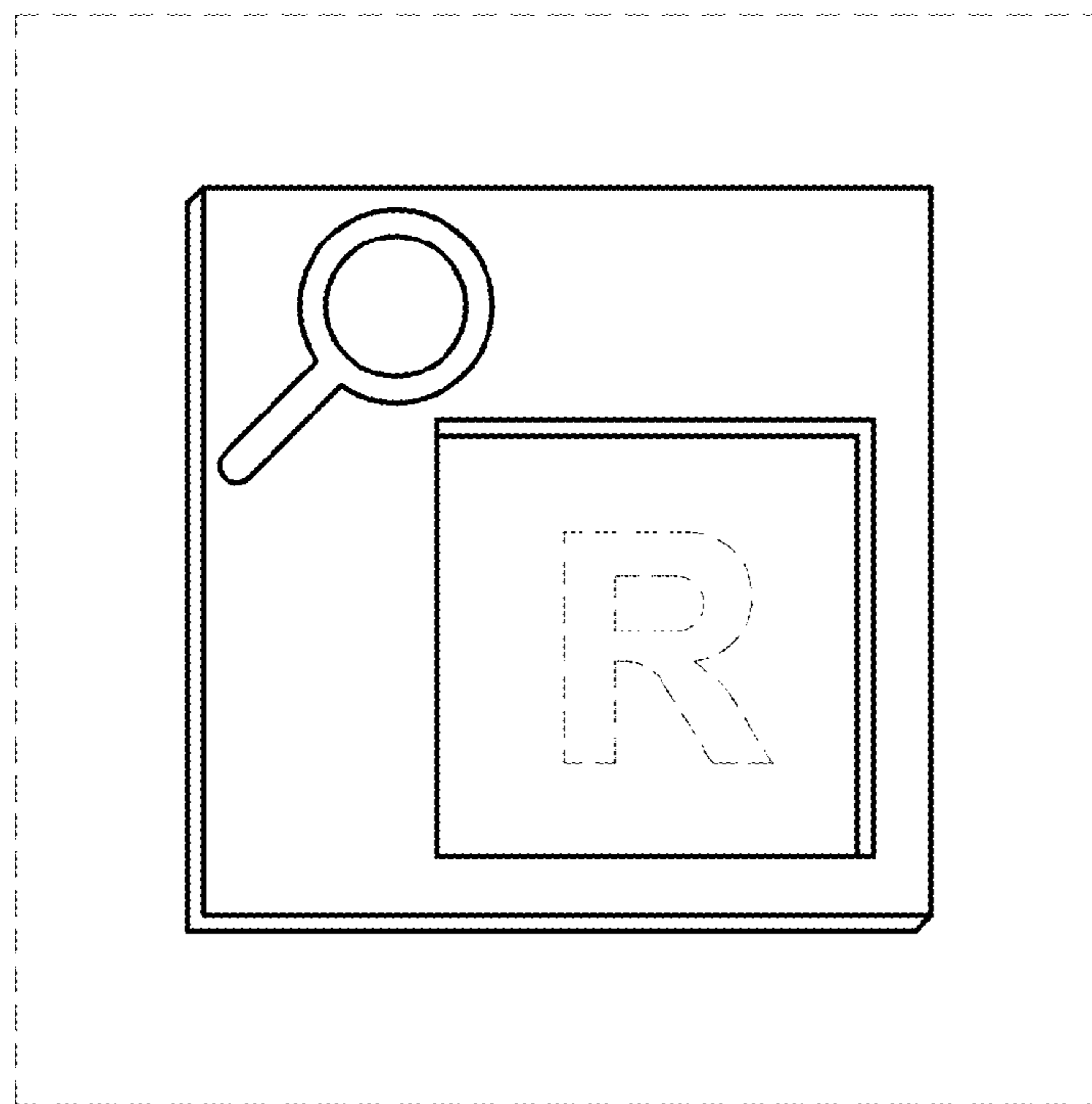


FIG. 8