



US00D693352S

(12) **United States Design Patent**
Gelsomini et al.

(10) **Patent No.:** **US D693,352 S**

(45) **Date of Patent:** **** Nov. 12, 2013**

(54) **TABLET STAND WITH SECURITY MOUNTING BRACKET**

(71) Applicant: **Dundee Precious Metals Inc.**, Toronto (CA)

(72) Inventors: **Mark Gelsomini**, Richmond Hill (CA); **Richard Coulson**, Markham (CA)

(73) Assignee: **Dundee Precious Metals Inc.**, Toronto (CA)

(**) Term: **14 Years**

(21) Appl. No.: **29/437,973**

(22) Filed: **Nov. 22, 2012**

(30) **Foreign Application Priority Data**

May 23, 2012 (CA) 145747

(51) **LOC (9) Cl.** **08-07**

(52) **U.S. Cl.**
USPC **D14/447**

(58) **Field of Classification Search**

USPC D14/447, 432, 433, 439, 440, 451, 452, D14/239, 217, 224.1, 251, 252, 253, 457, D14/458, 459, 460, 461, 434, 205, 209.1, D14/223; D6/406.1, 406.2, 406.3, 406.4, D6/406.5, 406.6; D12/415; 361/679.09, 361/679.21, 679.22, 679.24, 679.26, 361/679.27, 679.28, 679.3, 679.55, 679.56, 361/709; 248/917-924, 133, 136, 139, 150, 248/176.1, 188.6; D13/108, 110; D8/363; D21/333

See application file for complete search history.

(56) **References Cited**

U.S. PATENT DOCUMENTS

D309,307 S * 7/1990 Sigurdson D14/251
D356,074 S * 3/1995 Coblenz et al. D14/457

(Continued)

Primary Examiner — Angela J Lee

(74) *Attorney, Agent, or Firm* — Gowling Lafleur Henderson LLP

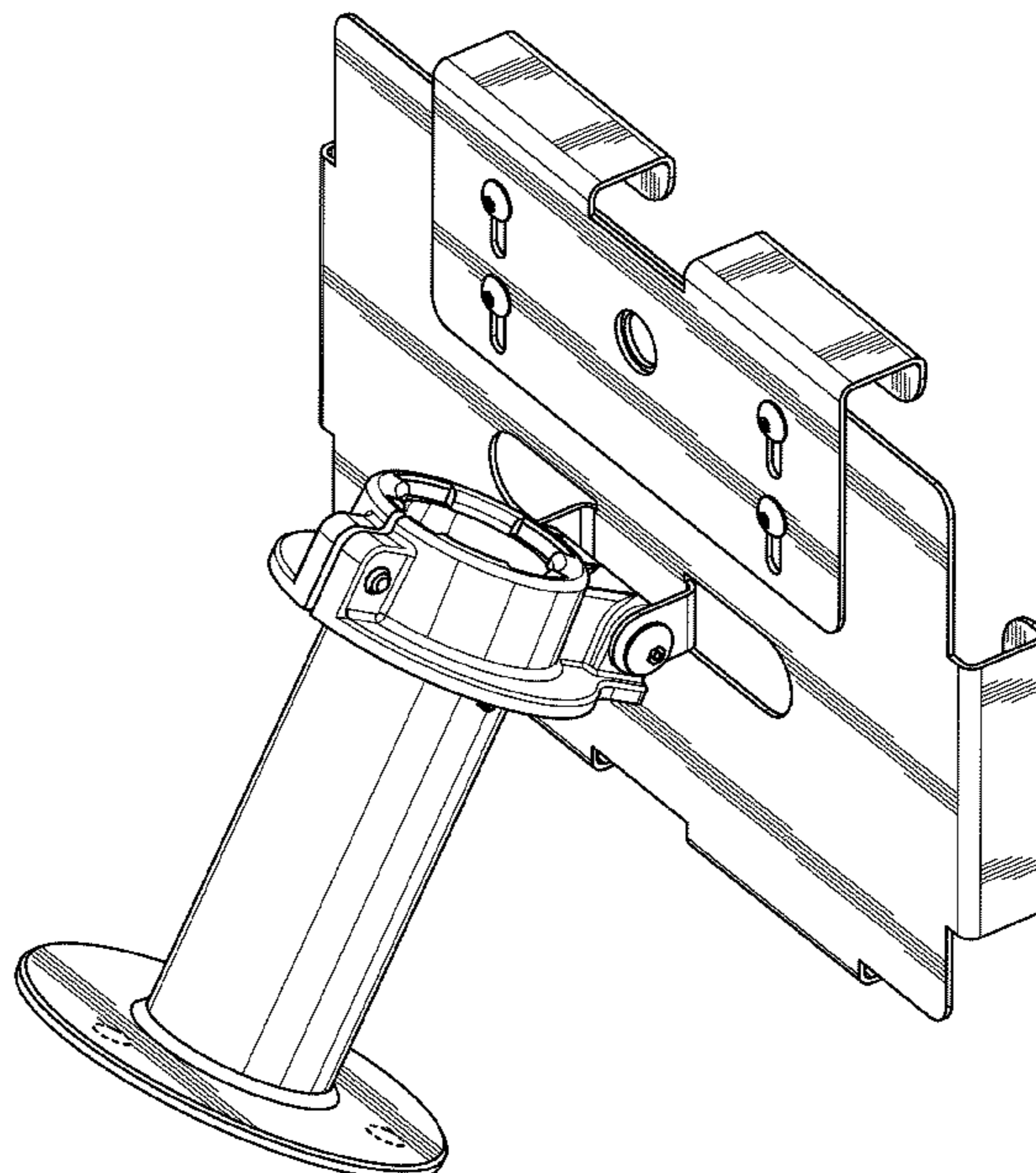
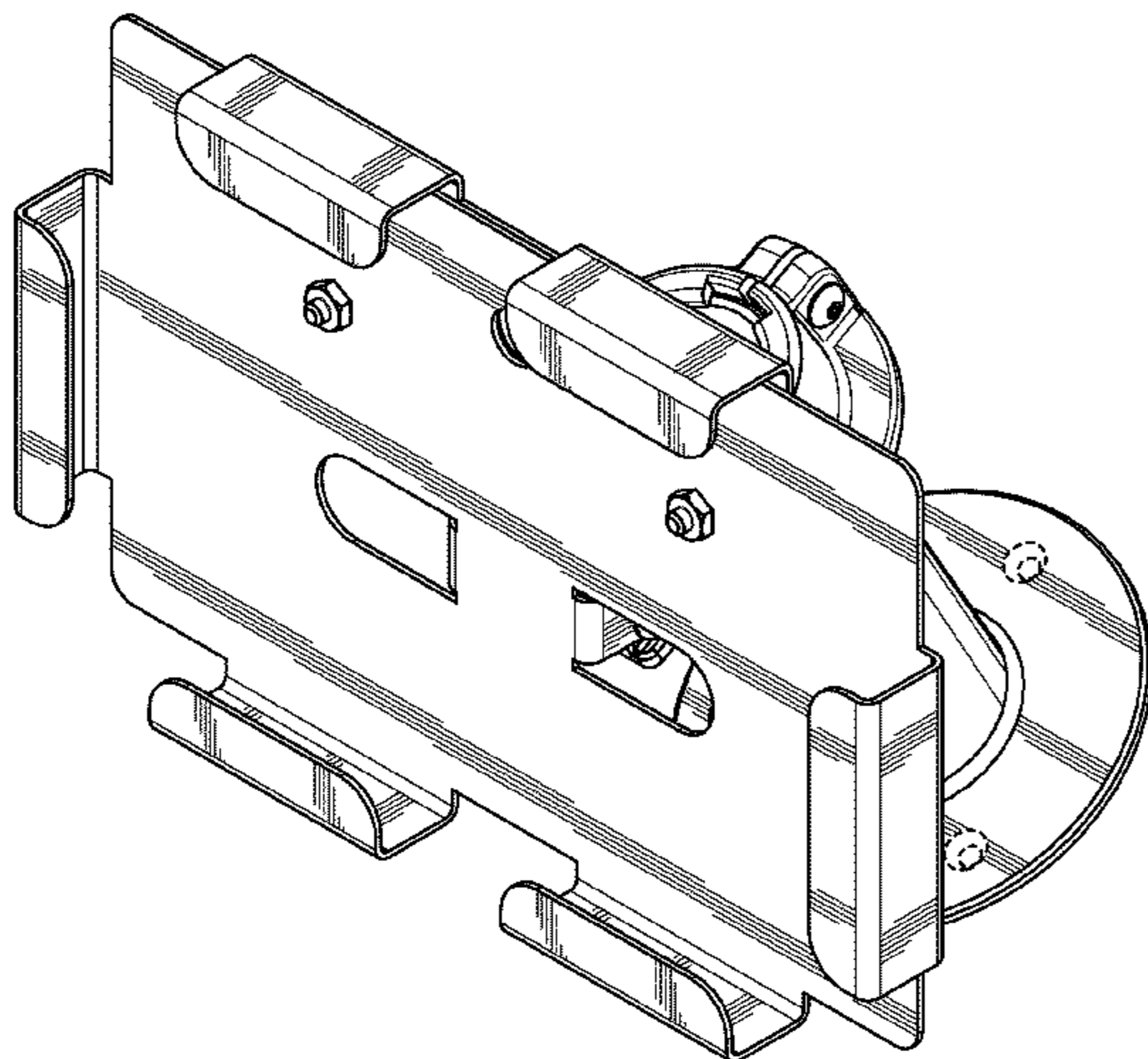
(57) **CLAIM**

The ornamental design for a tablet stand with security mounting bracket, as shown and described.

DESCRIPTION

FIG. 1 is an isometric front view of a tablet stand with security mounting bracket showing the new design; FIG. 2 is a front view of the design of FIG. 1; FIG. 3 is a back side view of the design of FIG. 1; FIG. 4 is a left side view of the design of FIG. 1; FIG. 5 is a right top view of the design of FIG. 1; FIG. 6 is a top view of the design of FIG. 1; FIG. 7 is a bottom view of the design of FIG. 1; FIG. 8 is a an isometric back view of the design of FIG. 1; FIG. 9 is an isometric front view of a tablet stand with security mounting bracket showing a second embodiment of the new design; FIG. 10 is a front view of the design of FIG. 9; FIG. 11 is a back side view of the design of FIG. 9; FIG. 12 is a left side view of the design of FIG. 9; FIG. 13 is a right view of the design of FIG. 9; FIG. 14 is a top view of the design of FIG. 9; FIG. 15 is a bottom view of the design of FIG. 9; and, FIG. 16 is a an isometric back view of the design of FIG. 9. The broken lines showing of selected portions of the tablet stand with security mounting bracket is for environmental purposes only and forms no part of the claimed design.

1 Claim, 16 Drawing Sheets



(56)

References Cited

U.S. PATENT DOCUMENTS

D549,709 S * 8/2007 Richter D14/447
D603,322 S * 11/2009 Nieceja D12/415
D614,613 S * 4/2010 Kim et al. D14/253
D629,405 S * 12/2010 Cysell D14/447

D646,315 S * 10/2011 Orf D16/242
D650,372 S * 12/2011 Molter D14/239
D650,774 S * 12/2011 Molter D14/239
8,240,628 B2 * 8/2012 Huang 248/316.1
D669,481 S * 10/2012 Prescott et al. D14/447
D671,110 S * 11/2012 Choi D14/253
D684,980 S * 6/2013 Chun D14/447

* cited by examiner

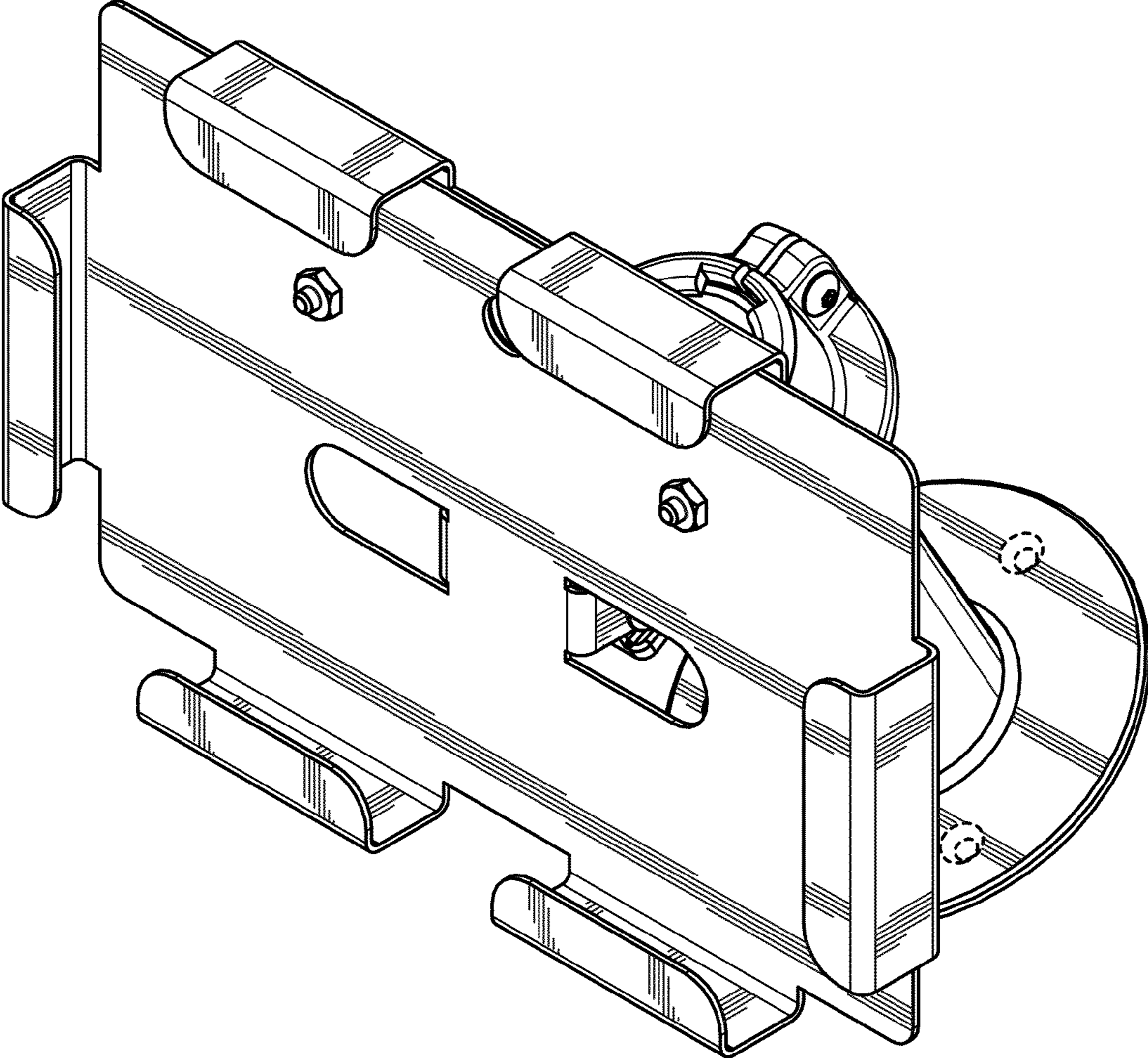


FIG. 1

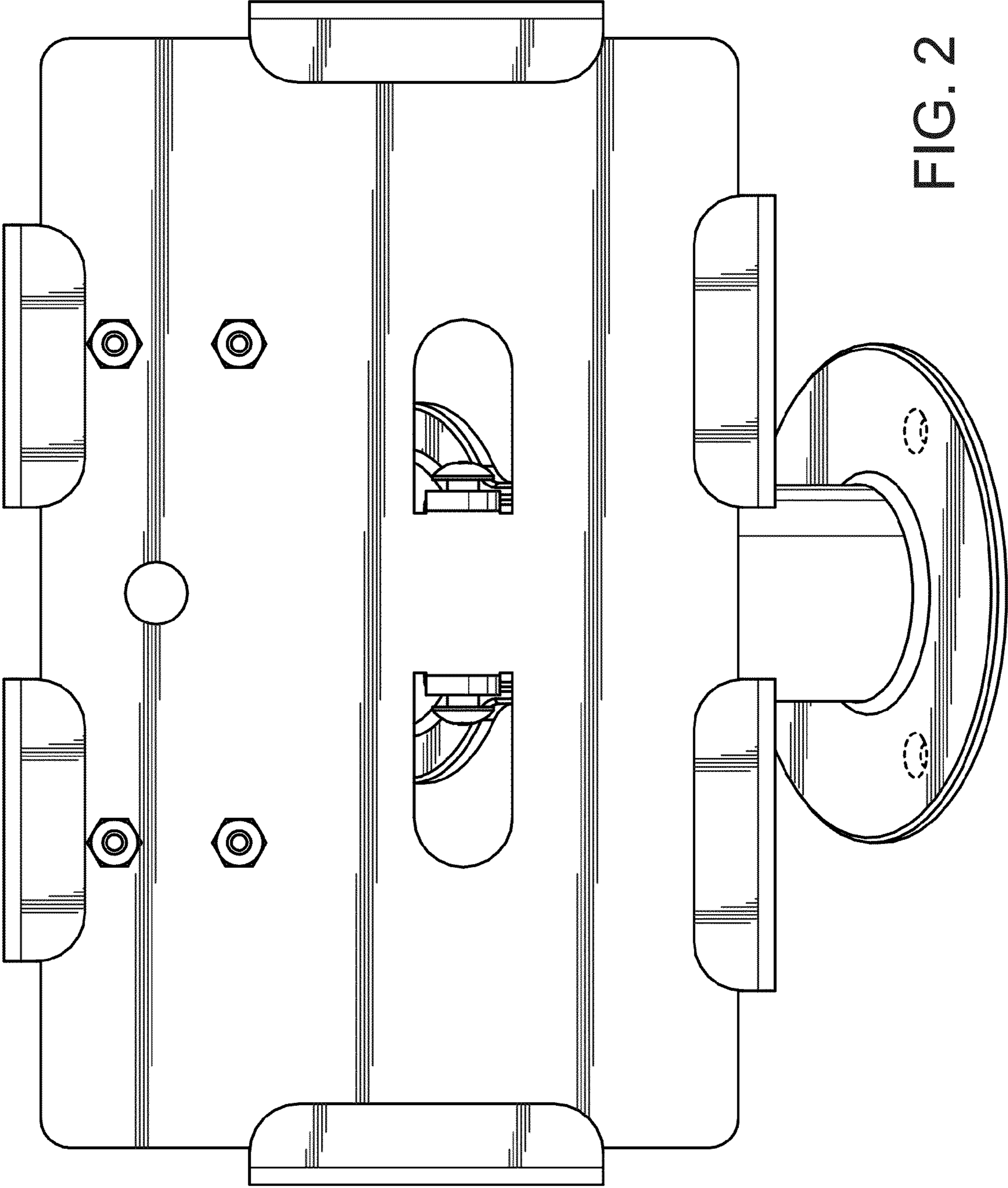


FIG. 2

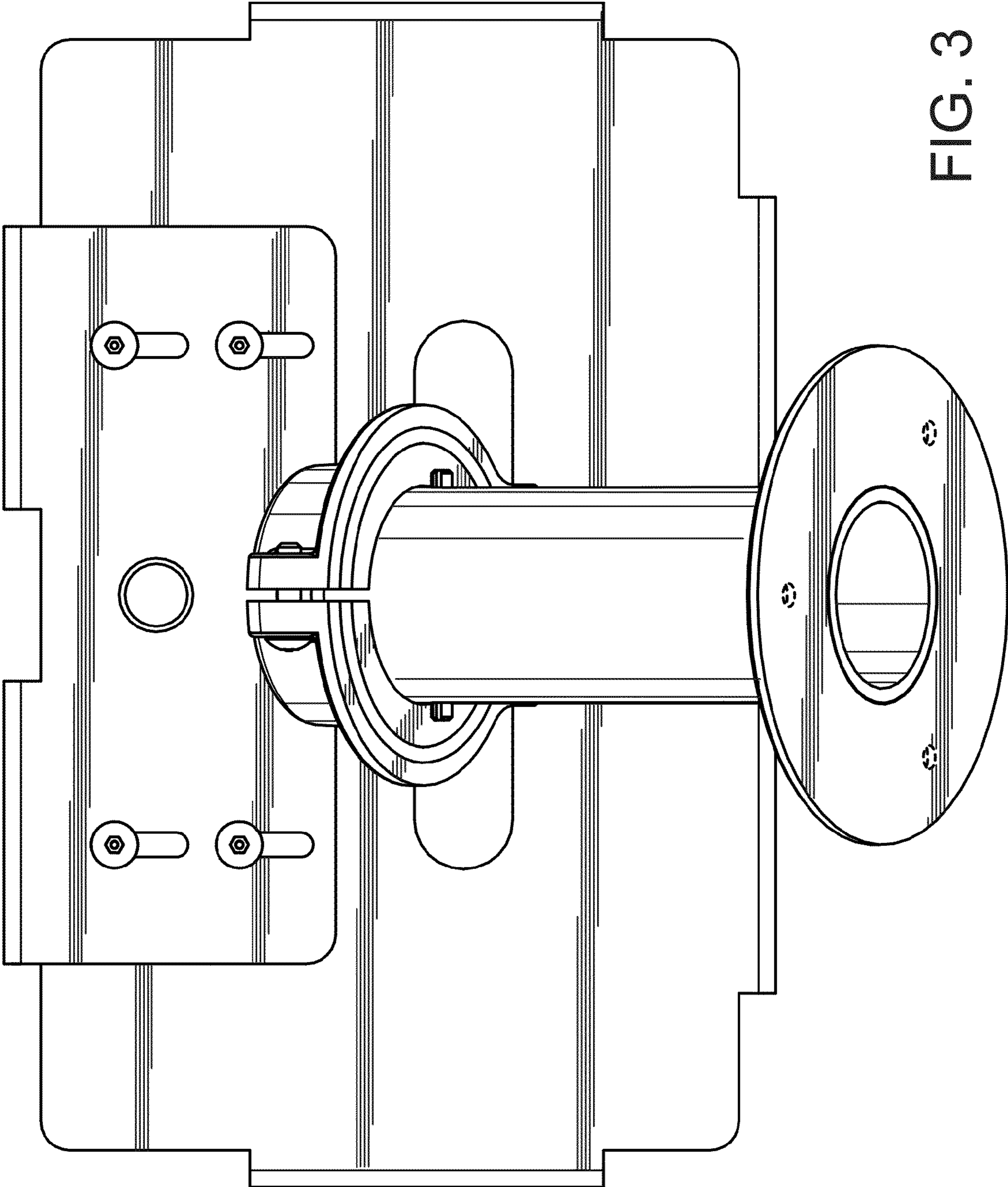


FIG. 3

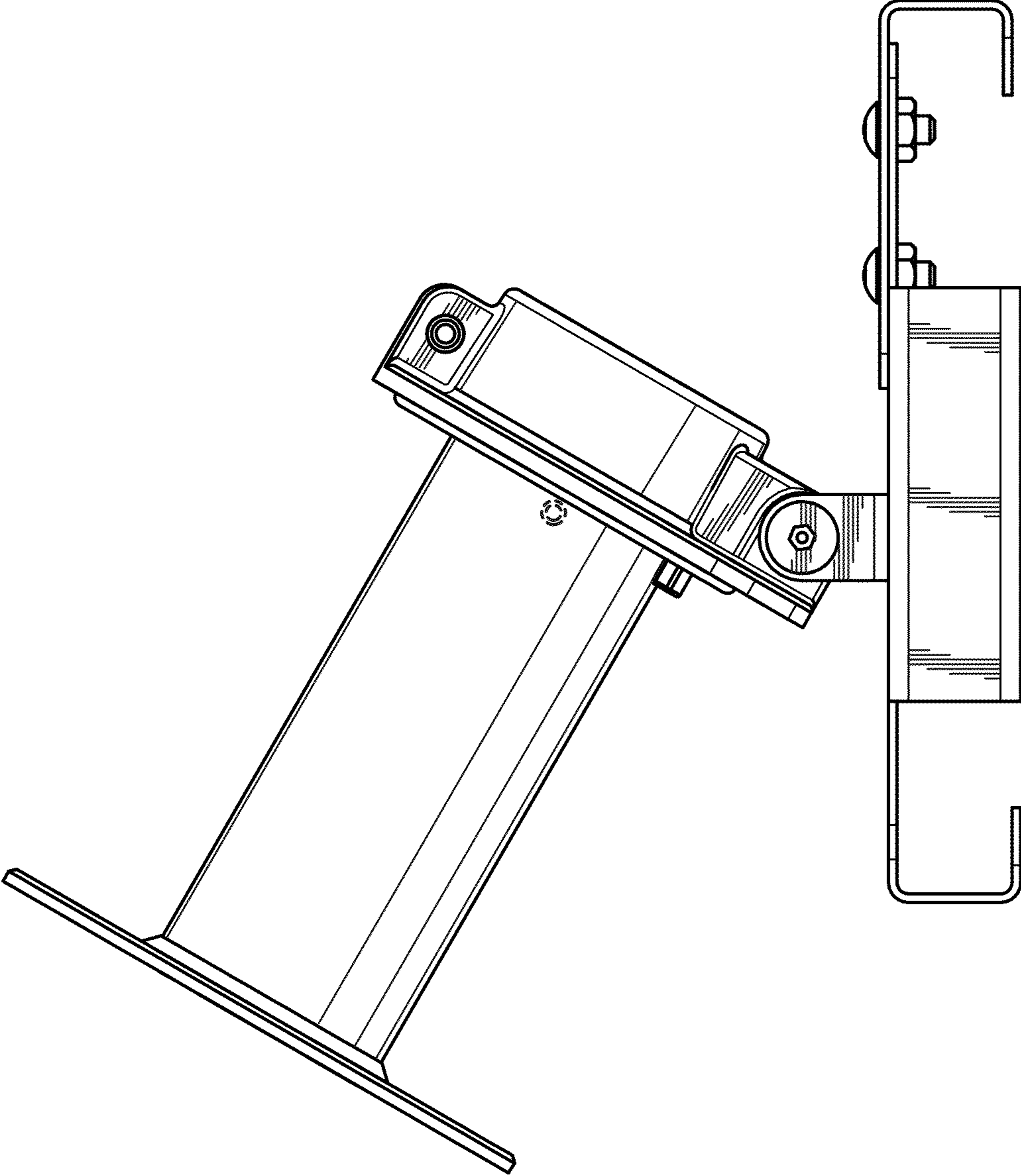


FIG. 4

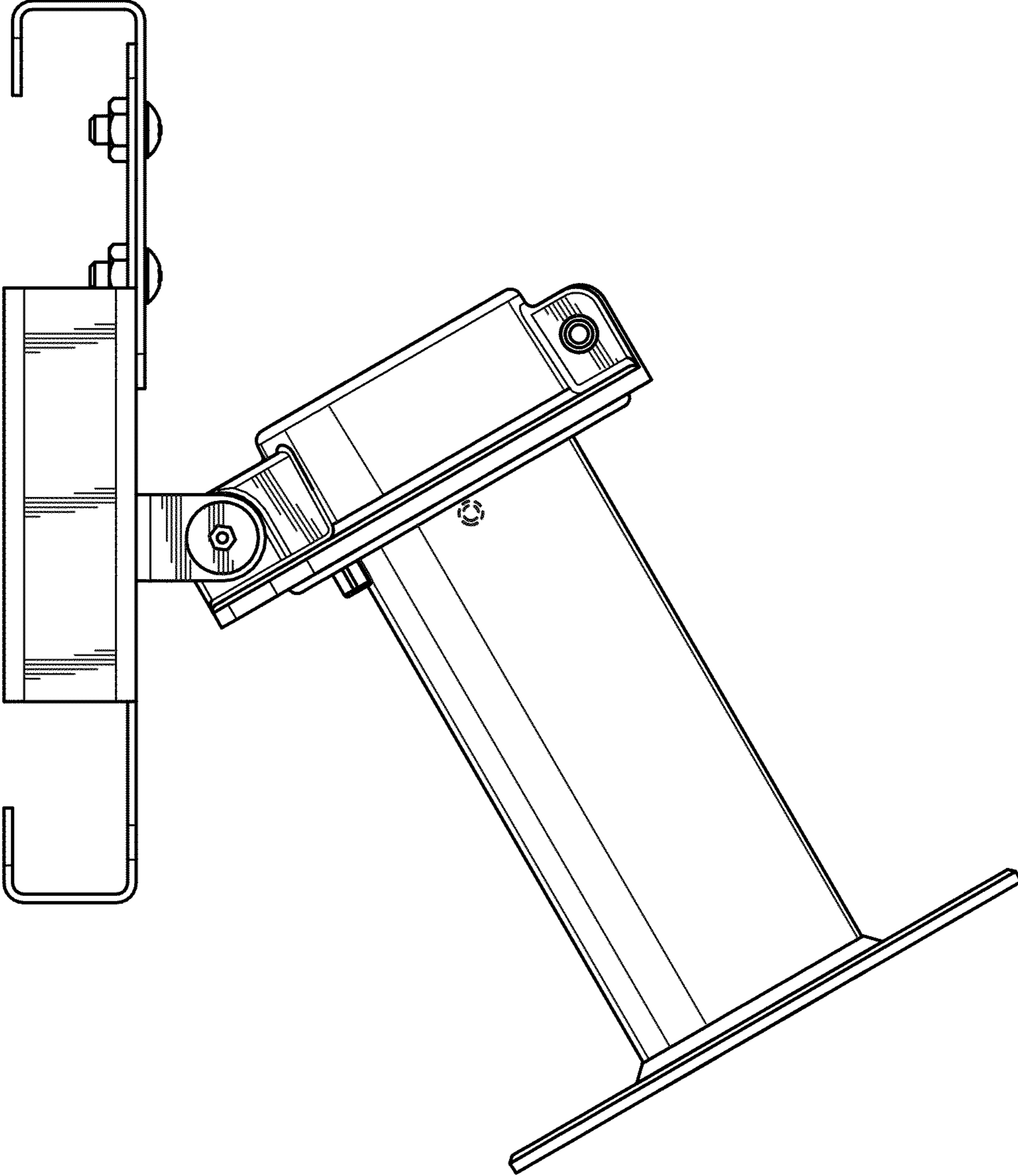


FIG. 5

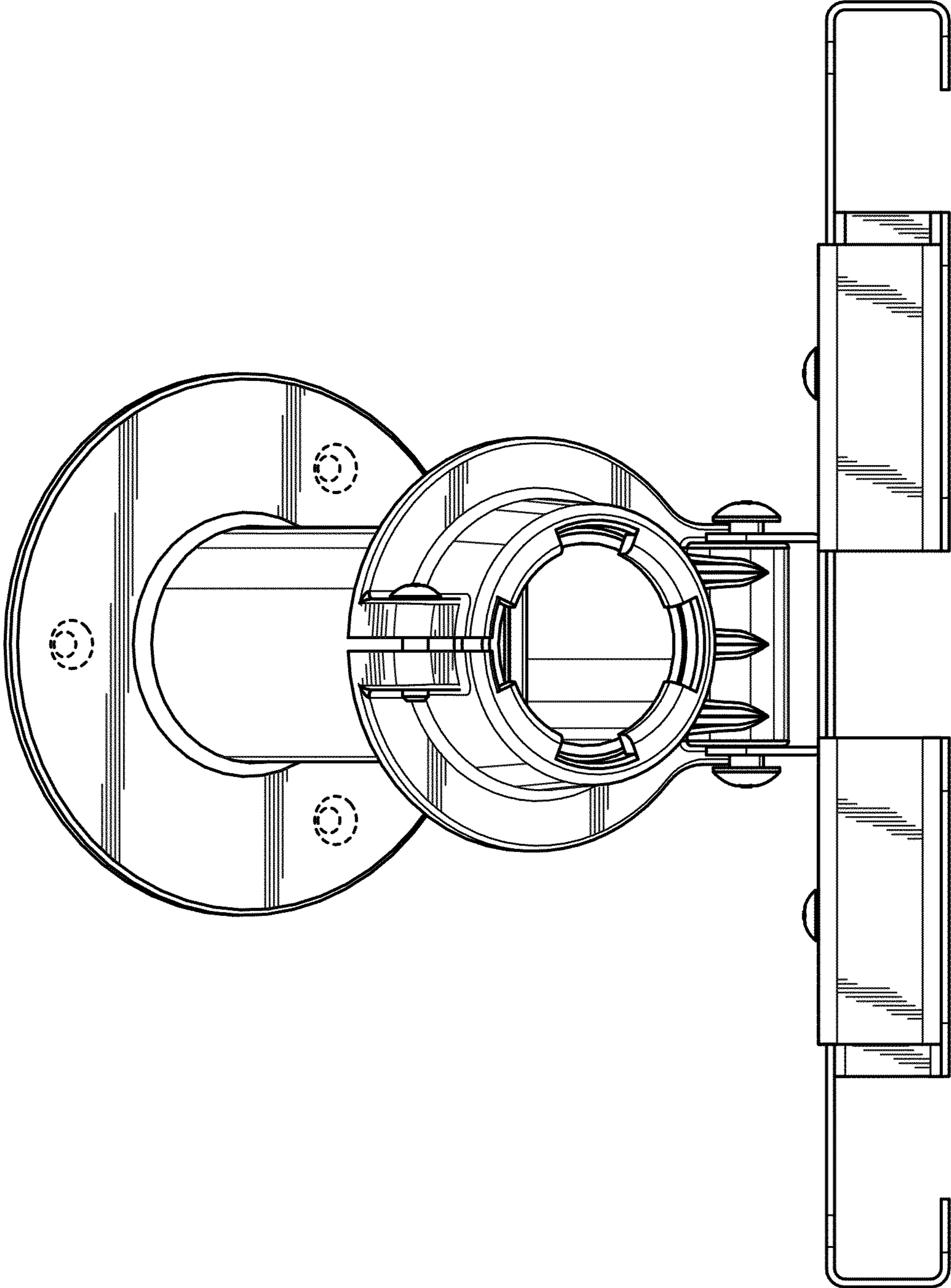


FIG. 6

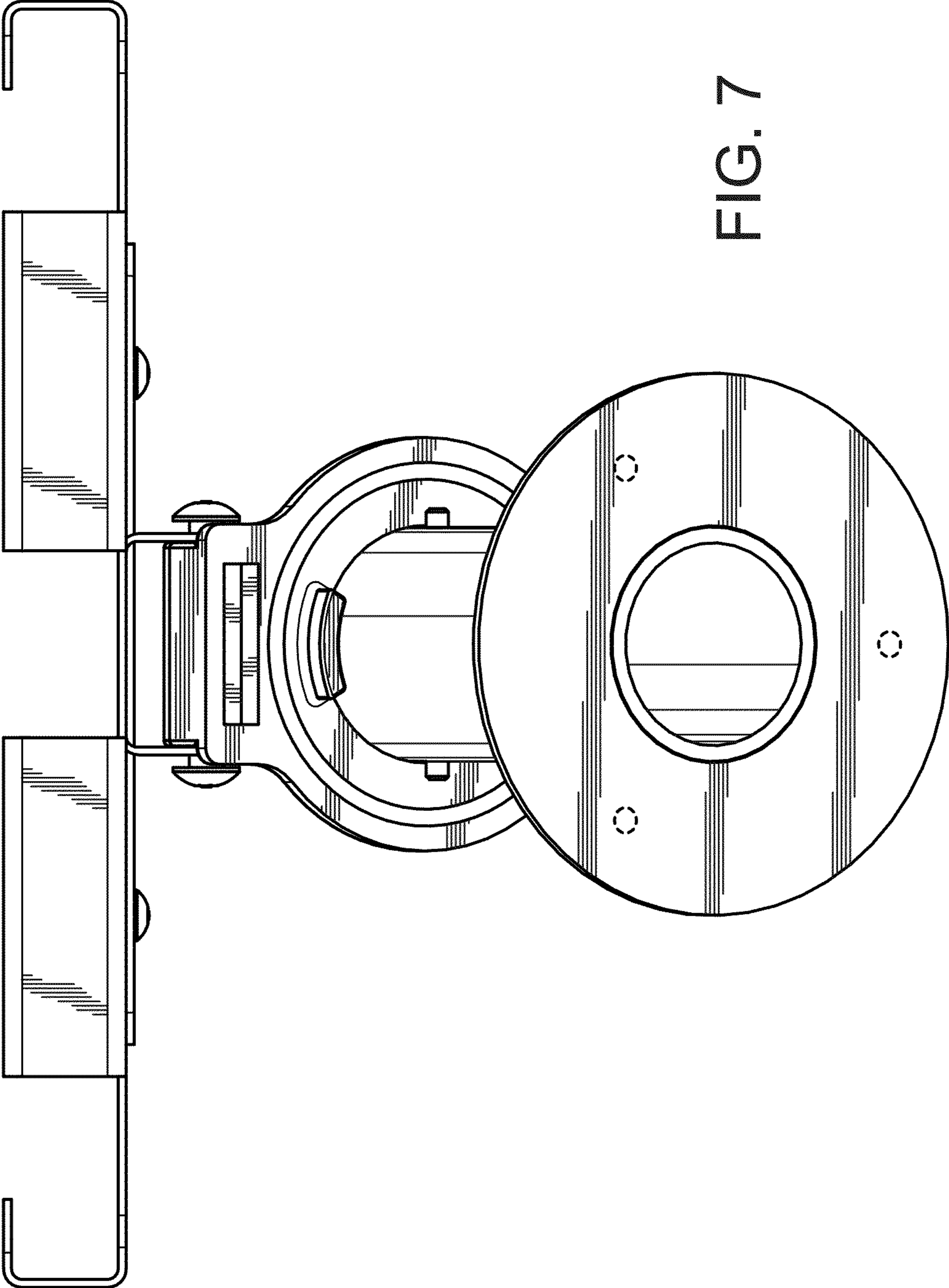


FIG. 7

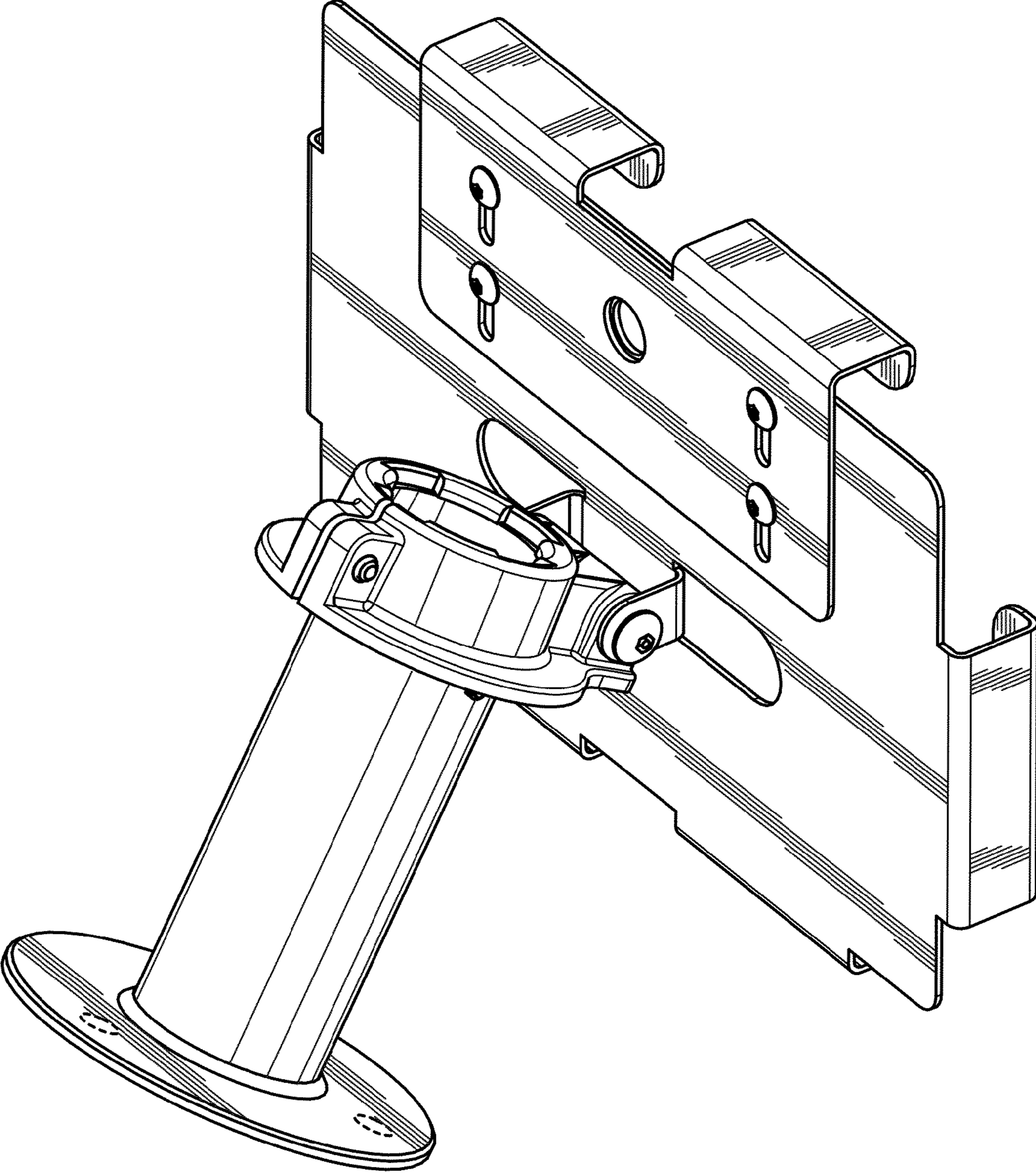


FIG. 8

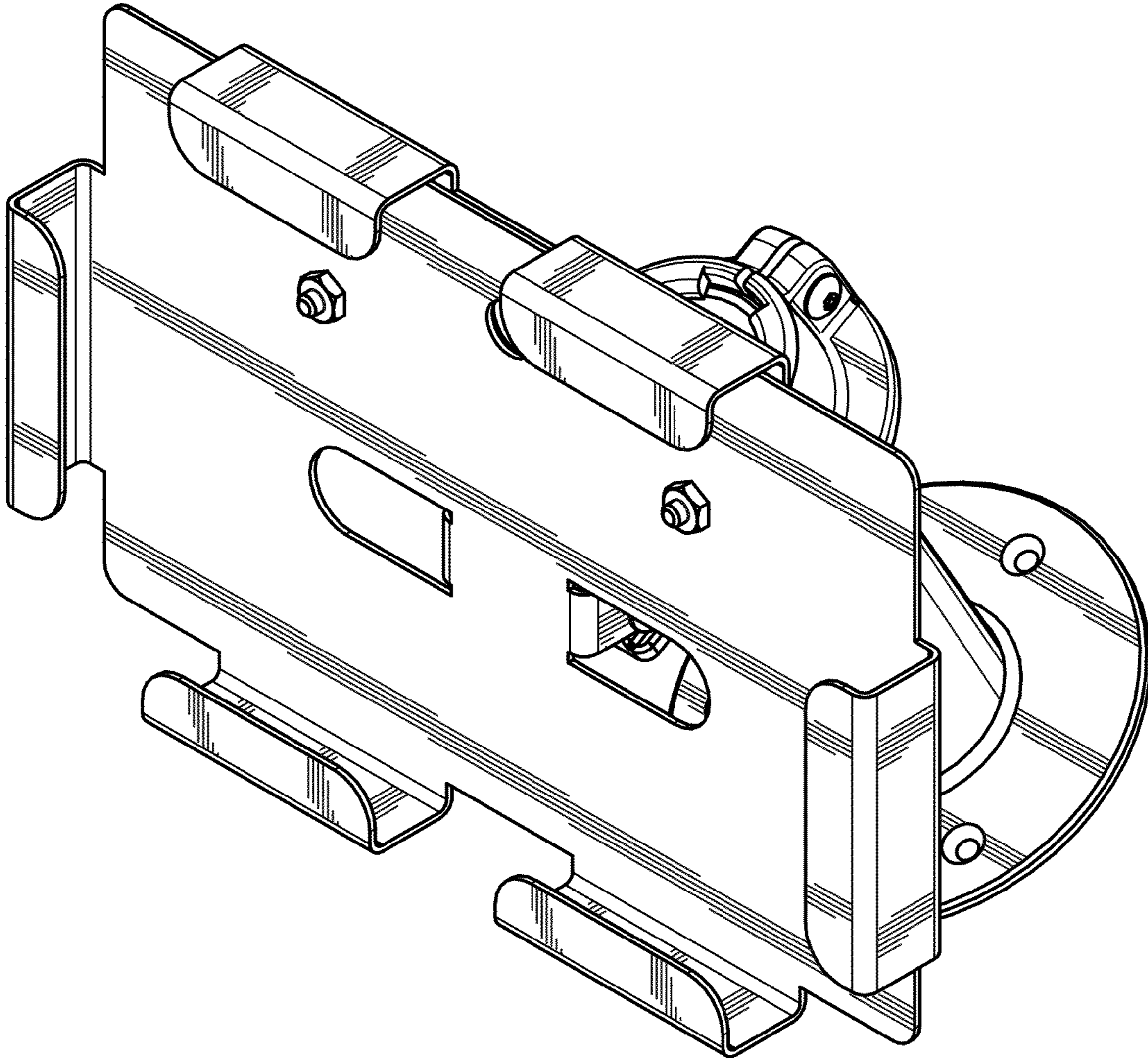


FIG. 9

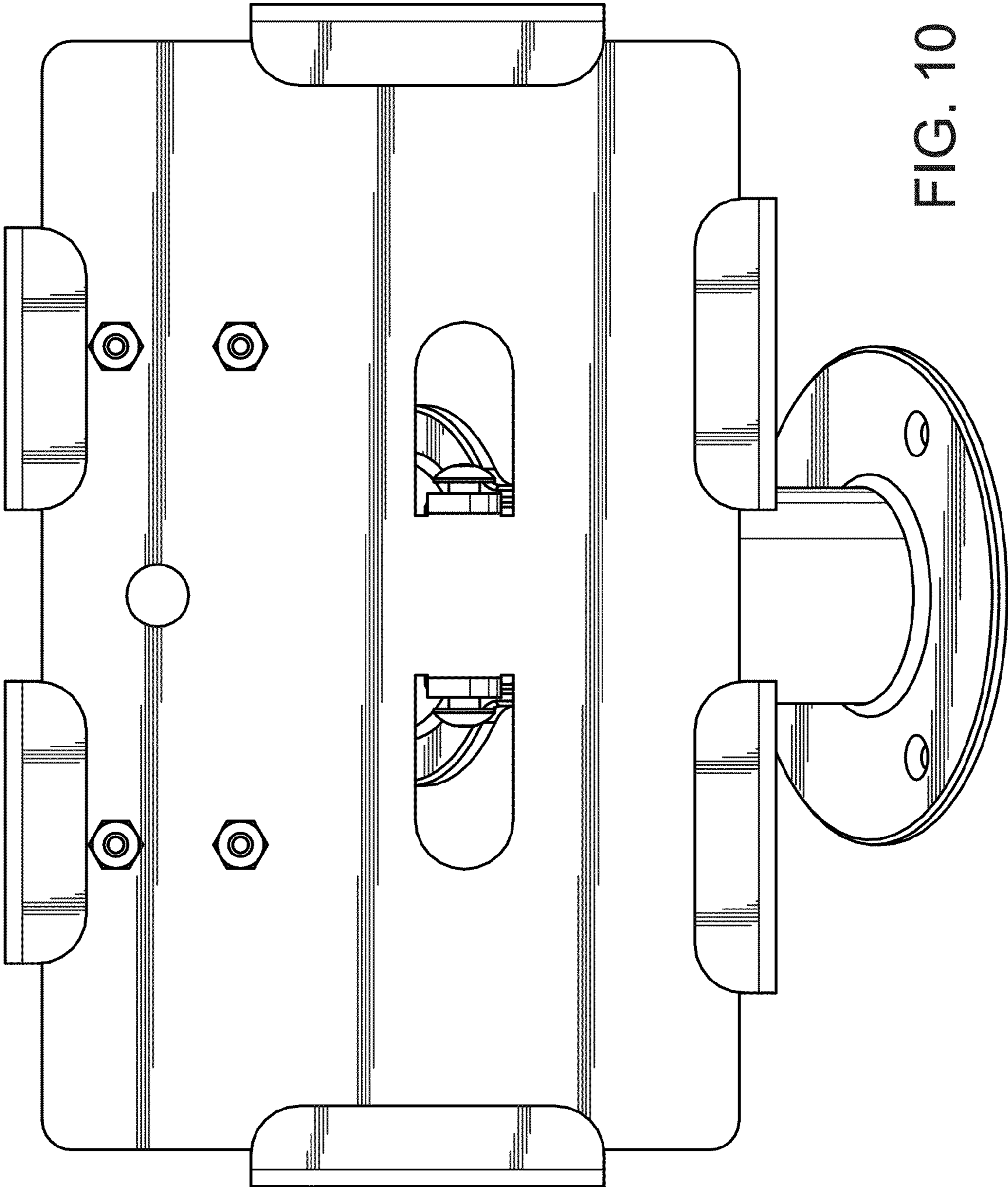


FIG. 10

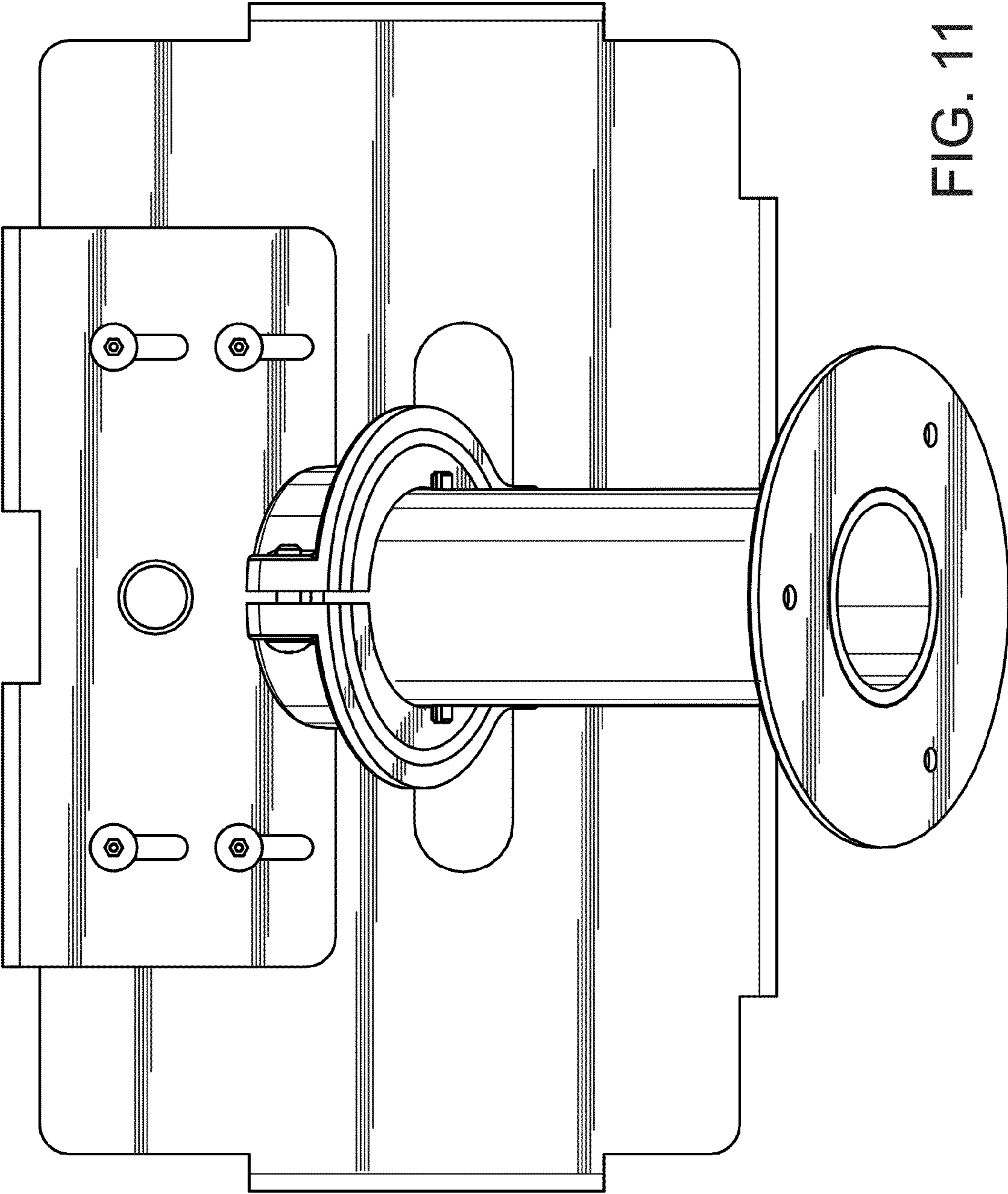


FIG. 11

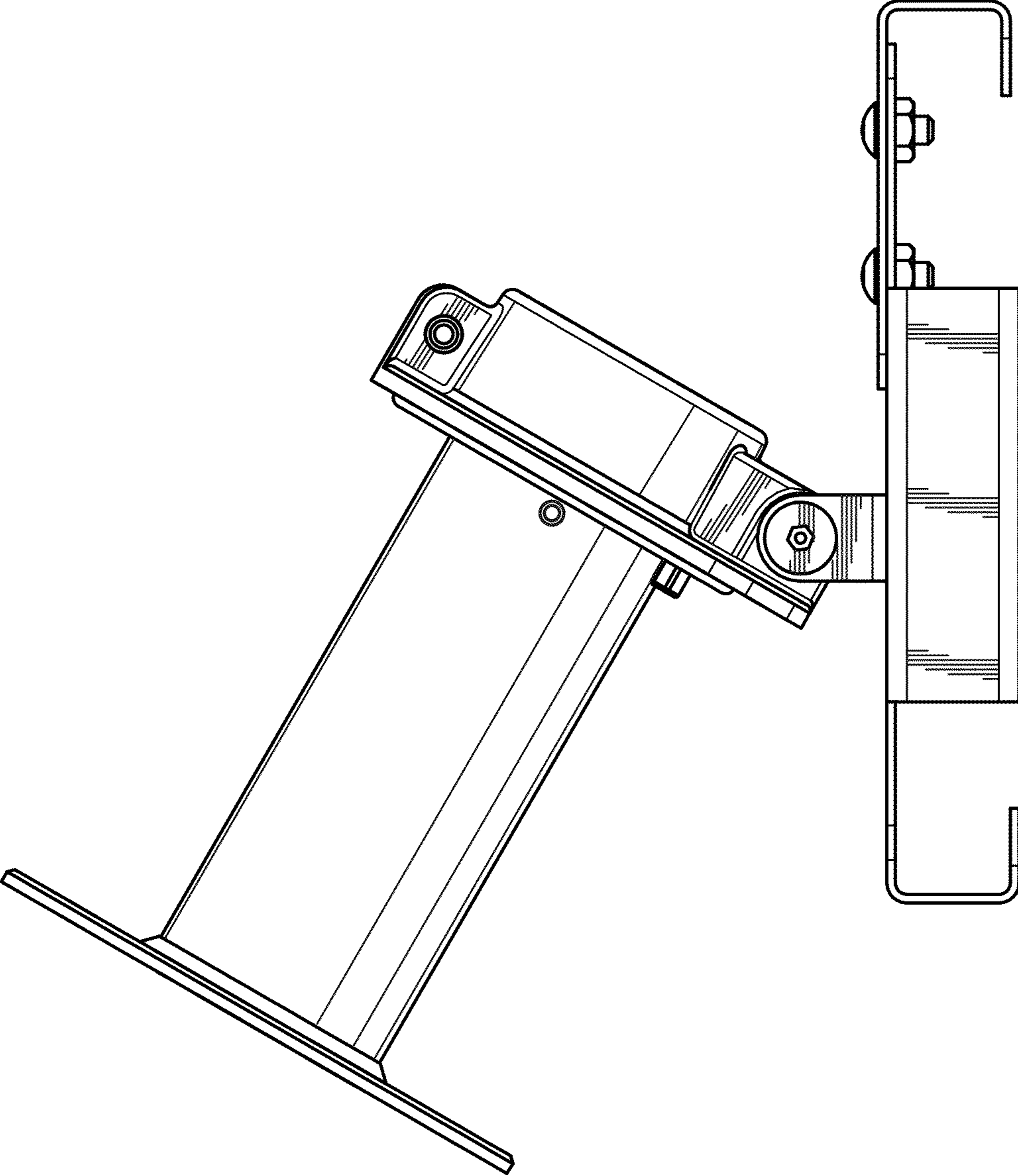


FIG. 12

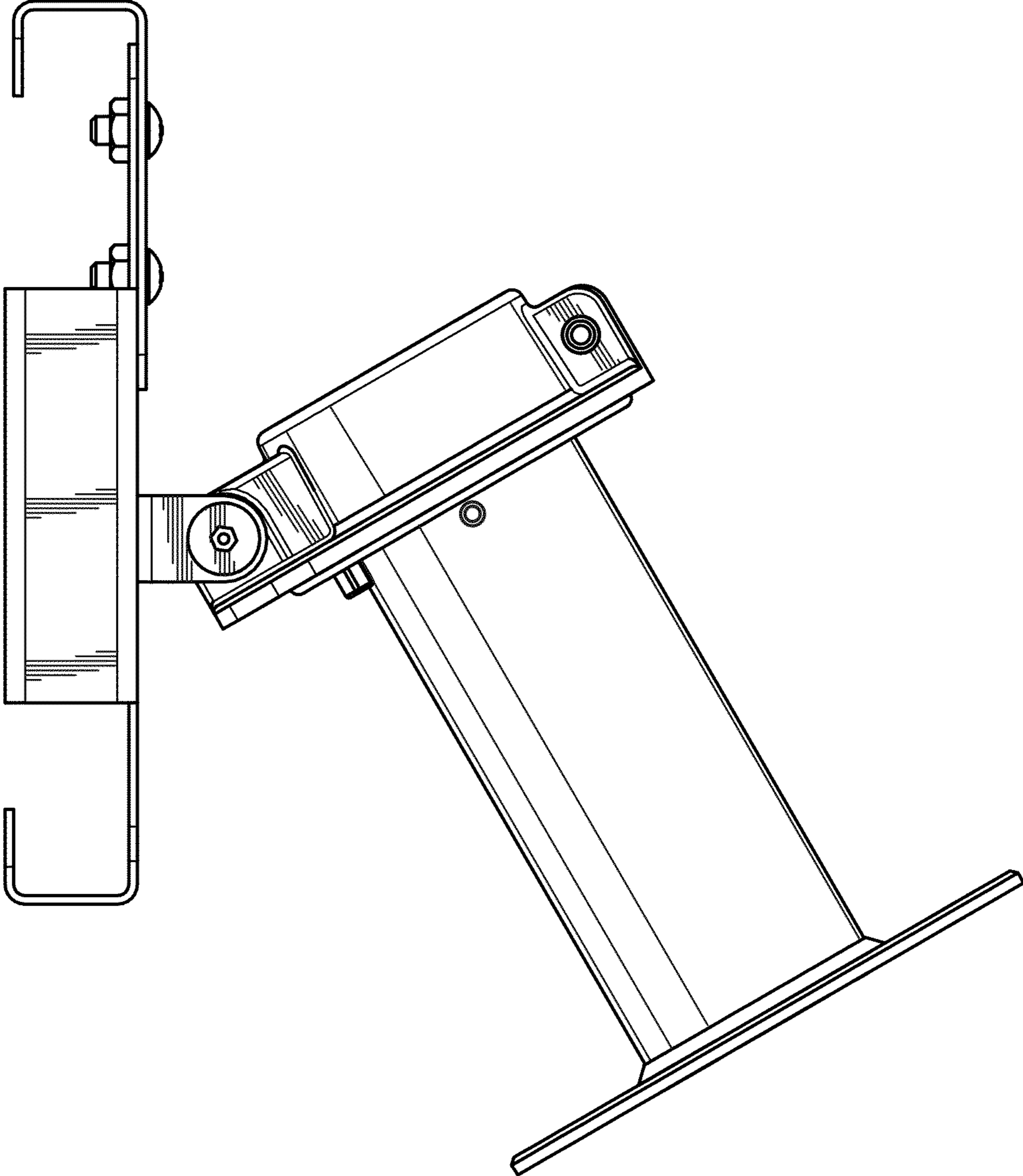


FIG. 13

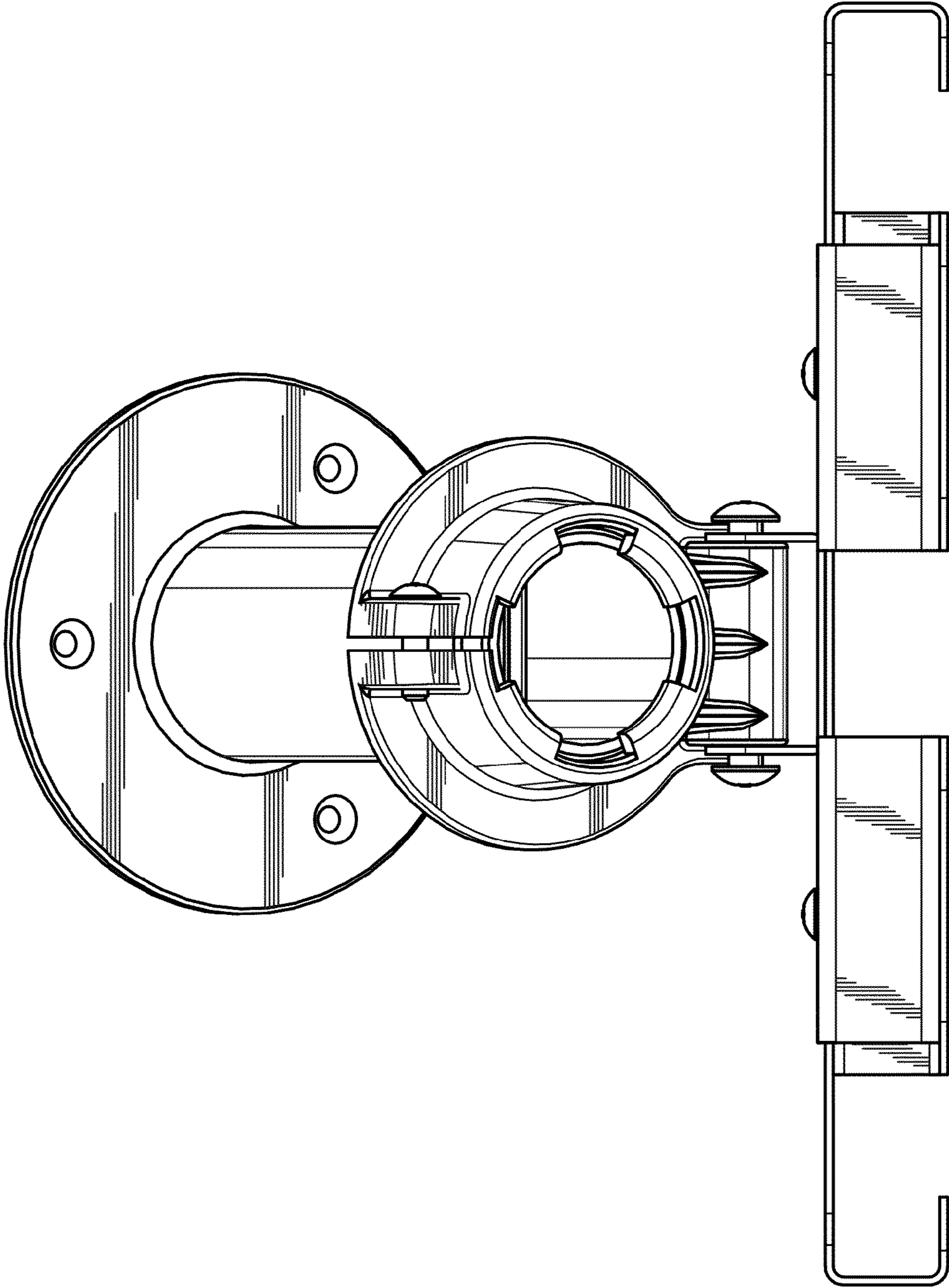


FIG. 14

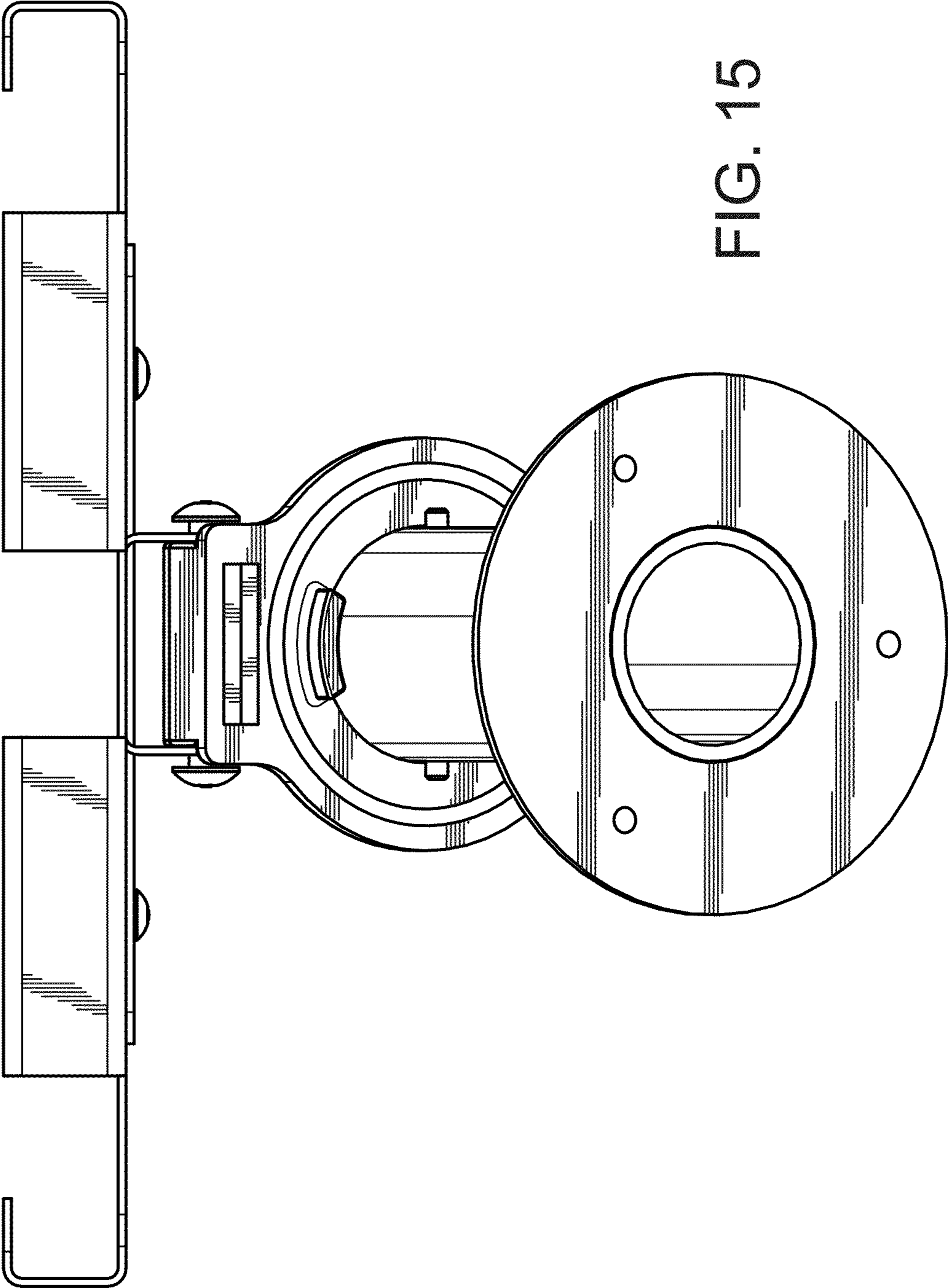


FIG. 15

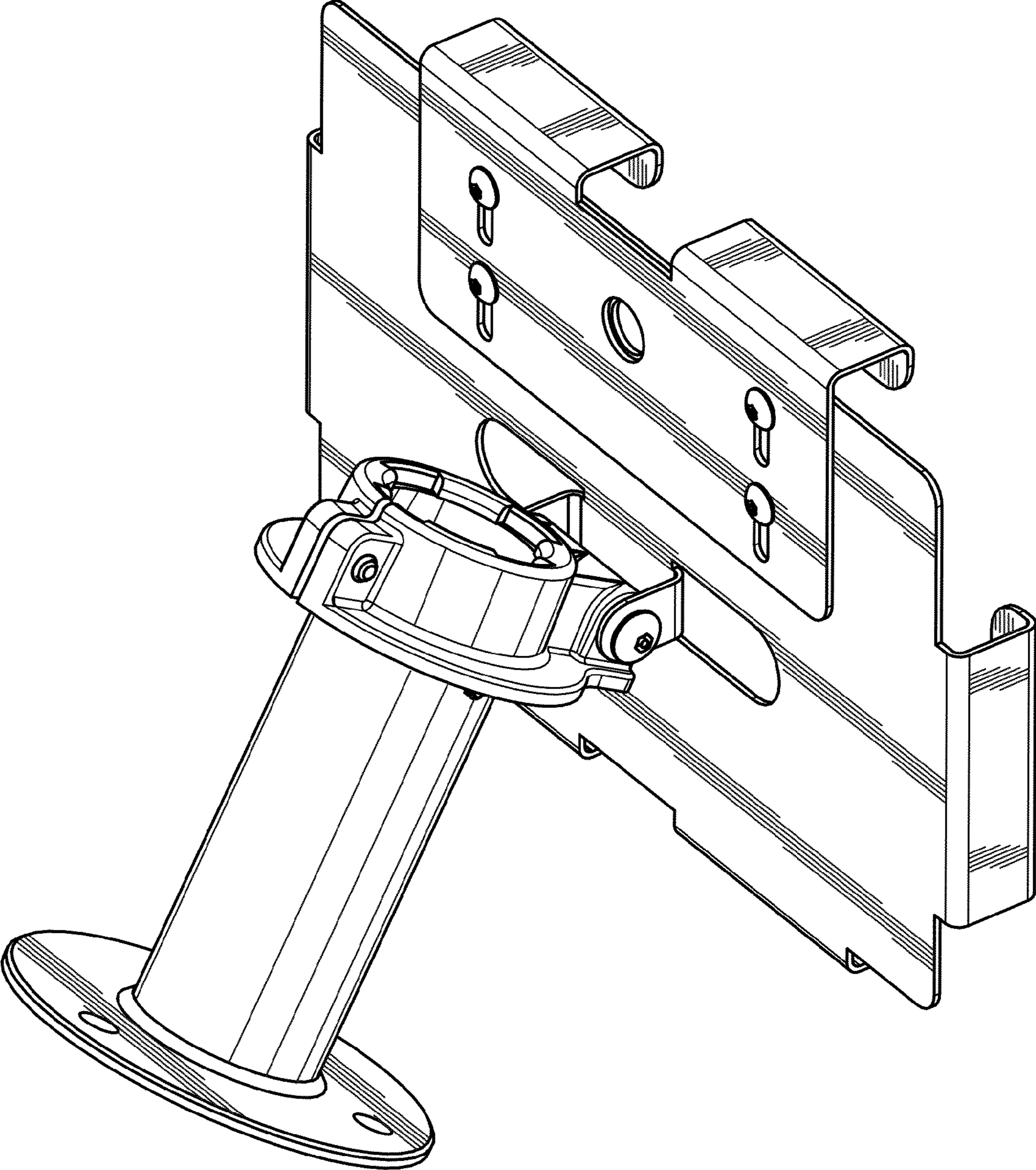


FIG. 16