



US00D693350S

(12) **United States Design Patent**
Mish et al.

(10) **Patent No.:** **US D693,350 S**

(45) **Date of Patent:** **** Nov. 12, 2013**

(54) **RIGID PROTECTIVE COVER FOR EREADER**

(75) Inventors: **Patrick Mish**, Odenton, MD (US); **Jim Ward**, Ashburn, VA (US); **Adam Ashley**, Odenton, MD (US)

(73) Assignee: **M-Edge Accessories, LLC**, Odenton, MD (US)

(**) Term: **14 Years**

(21) Appl. No.: **29/382,763**

(22) Filed: **Jan. 6, 2011**

(51) **LOC (9) Cl.** **14-02**

(52) **U.S. Cl.**
USPC **D14/440**

(58) **Field of Classification Search**

USPC D14/439, 440, 345, 341-344, 346, 371, D14/125-129, 327; 206/320, 576, 305, 215, 206/232, 524, 425, 472, 224, 312, 387.13, 206/307, 387.1, 756; D3/286, 283, 295, D3/273, 303, 247, 215, 245, 232, 900, 249, D3/201, 276, 294, 301; 224/929; 708/110; 190/109, 100, 119, 901; 361/683, 725, 361/681, 686, 679; 229/87.5, 67.1, 800; 220/522, 4.23; 345/169, 104, 156, 168, 345/173, 179, 672, 174; 150/147, 135; 402/2, 70-78, 500-502; 281/45, 38, 281/31, 29, 19.1, 34; D19/26, 27, 33, 75, D19/86, 22, 90, 59, 60, 78, 83; D18/7; 383/97, 4, 110; 178/18.03, 18.01; 349/12; 428/332; D6/632, 407; 248/458

See application file for complete search history.

(56) **References Cited**

U.S. PATENT DOCUMENTS

D173,318 S * 10/1954 Levenhagen D7/554.3
5,299,685 A * 4/1994 Chin 206/320
D346,793 S * 5/1994 Iino et al. D14/341

5,324,202 A * 6/1994 Meyers et al. 434/410
5,360,108 A * 11/1994 Alagia 206/320
5,368,159 A * 11/1994 Doria 206/320
5,386,964 A * 2/1995 Mayo 248/346.01
D357,918 S * 5/1995 Doria D14/218
D359,031 S * 6/1995 Hatano D14/336
5,583,742 A * 12/1996 Noda et al. 361/679.21
6,286,667 B1 * 9/2001 Lee 206/38
6,896,134 B2 * 5/2005 Russell et al. 206/320
D516,553 S * 3/2006 Richardson et al. D14/341
7,025,274 B2 * 4/2006 Solomon et al. 235/472.01
D537,441 S * 2/2007 Bruker D14/341
D538,801 S * 3/2007 Taylor D14/341
D551,846 S * 10/2007 Ko et al. D3/201
D557,897 S * 12/2007 Richardson et al. D3/294
7,312,984 B2 * 12/2007 Richardson et al. 361/679.41
D592,398 S * 5/2009 Roesler D3/294
D605,850 S * 12/2009 Richardson et al. D3/218
D607,444 S * 1/2010 Ferrari et al. D14/250
D624,073 S * 9/2010 Peng et al. D14/341

(Continued)

Primary Examiner — Susan Moon Lee

(74) *Attorney, Agent, or Firm* — Dresch IP Law, PLLC; John J. Dresch

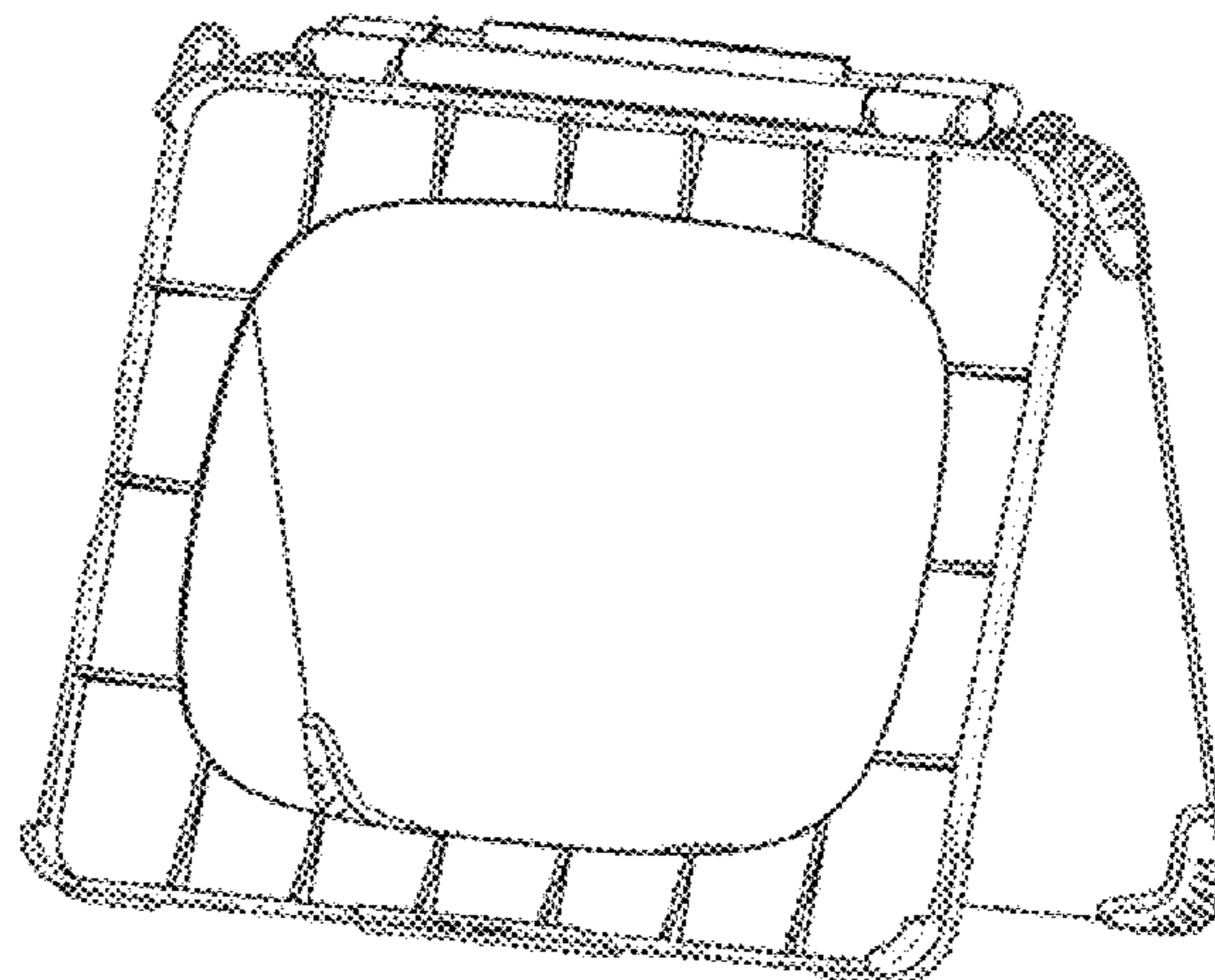
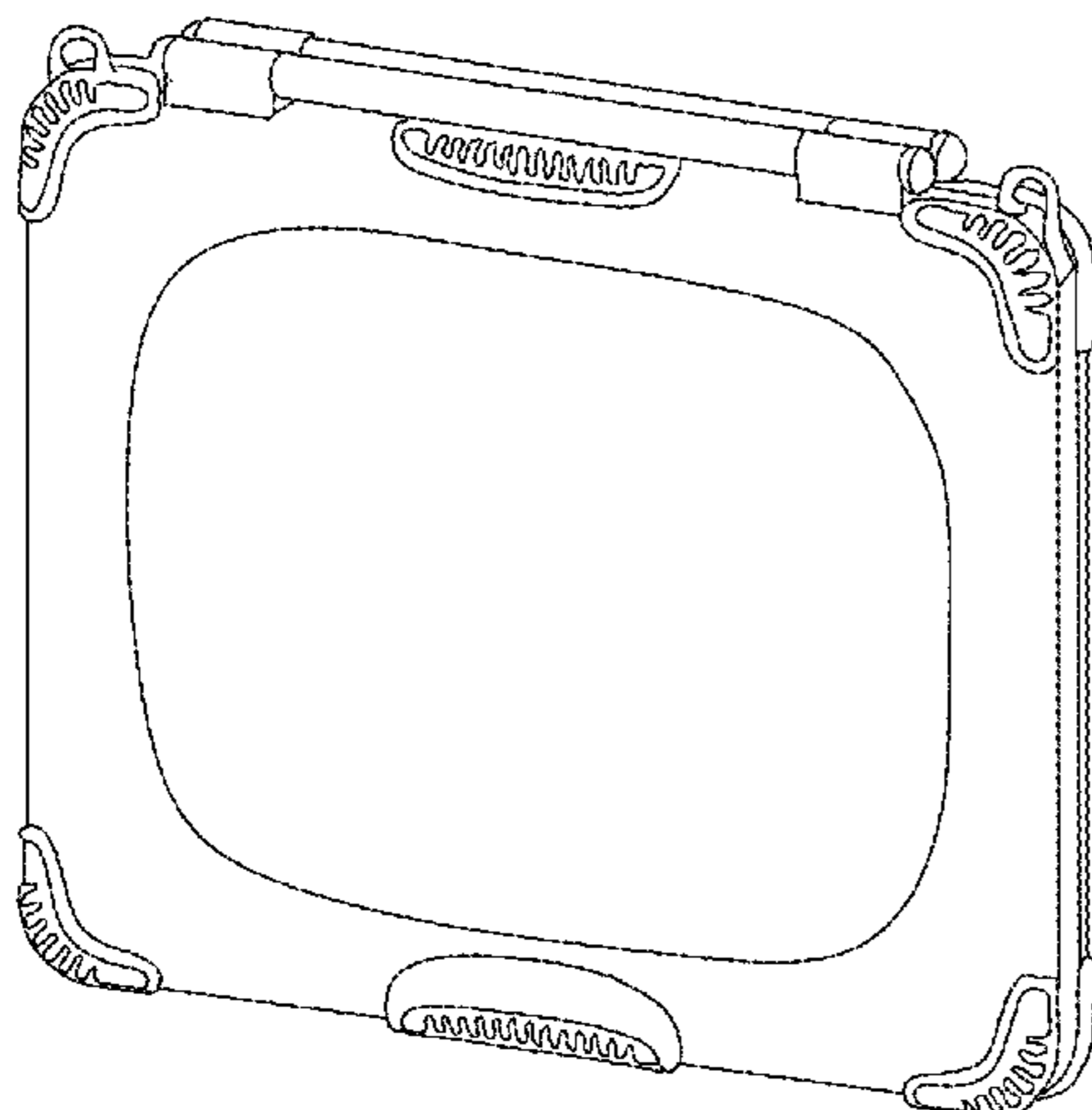
(57) **CLAIM**

The ornamental design for a rigid protective cover for eReader, as shown and described.

DESCRIPTION

FIG. 1 is a rear perspective view of a protective cover for eReader;
FIG. 2 is another front elevational view thereof;
FIG. 3 is a rear elevational view thereof;
FIG. 4 is a front side elevational view thereof;
FIG. 5 is a front elevational view thereof;
FIG. 6 is a rear perspective view thereof;
FIG. 7 is a front perspective view thereof;
FIG. 8 is another interior perspective view thereof; and,
FIG. 9 is another interior perspective view thereof.

1 Claim, 9 Drawing Sheets



(56)

References Cited

U.S. PATENT DOCUMENTS

7,800,896	B2 *	9/2010	Takizawa	361/679.41
D626,123	S *	10/2010	Peng	D14/324
D633,088	S *	2/2011	Liao	D14/341
D633,089	S *	2/2011	Hsu	D14/341
7,886,903	B1 *	2/2011	Wurzelbacher et al.	206/320
7,889,489	B2 *	2/2011	Richardson et al.	361/679.32
D633,504	S *	3/2011	Alexander, Jr.	D14/447
D634,313	S *	3/2011	Fitzpatrick et al.	D14/250
D634,781	S *	3/2011	Herrich, Jr.	D19/26
7,907,394	B2 *	3/2011	Richardson et al.	361/679.3
D636,182	S *	4/2011	Yang	D3/294
D643,433	S *	8/2011	Hsieh et al.	D14/440
D643,843	S *	8/2011	Hsieh et al.	D14/440
D647,303	S *	10/2011	Mish et al.	D3/294
D647,526	S *	10/2011	Vandiver et al.	D14/440
2001/0054861	A1 *	12/2001	Pfaff	312/204
2002/0071550	A1 *	6/2002	Pletikosa	379/433.01
2002/0085342	A1 *	7/2002	Chen et al.	361/683
2003/0217940	A1 *	11/2003	Russell et al.	206/320
2003/0222149	A1 *	12/2003	Solomon et al.	235/472.01
2005/0052831	A1 *	3/2005	Chen	361/680
2006/0007645	A1 *	1/2006	Chen et al.	361/681
2006/0042996	A1 *	3/2006	Picot et al.	206/586
2006/0044288	A1 *	3/2006	Nakamura et al.	345/179
2007/0158220	A1 *	7/2007	Cleereman et al.	206/320
2008/0084396	A1 *	4/2008	Pen	345/168
2008/0194139	A1 *	8/2008	Chan	439/521
2008/0308437	A1 *	12/2008	Lin	206/320
2009/0009945	A1 *	1/2009	Johnson et al.	361/681
2009/0080153	A1 *	3/2009	Richardson et al.	361/679.56
2009/0111543	A1 *	4/2009	Tai et al.	455/575.8
2009/0181729	A1 *	7/2009	Griffin et al.	455/575.1
2010/0008028	A1 *	1/2010	Richardson et al.	361/679.01
2010/0203931	A1 *	8/2010	Hynecek et al.	455/575.8
2010/0224519	A1 *	9/2010	Kao	206/320
2010/0240427	A1 *	9/2010	Lee	455/575.8
2010/0300909	A1 *	12/2010	Hung	206/320

* cited by examiner

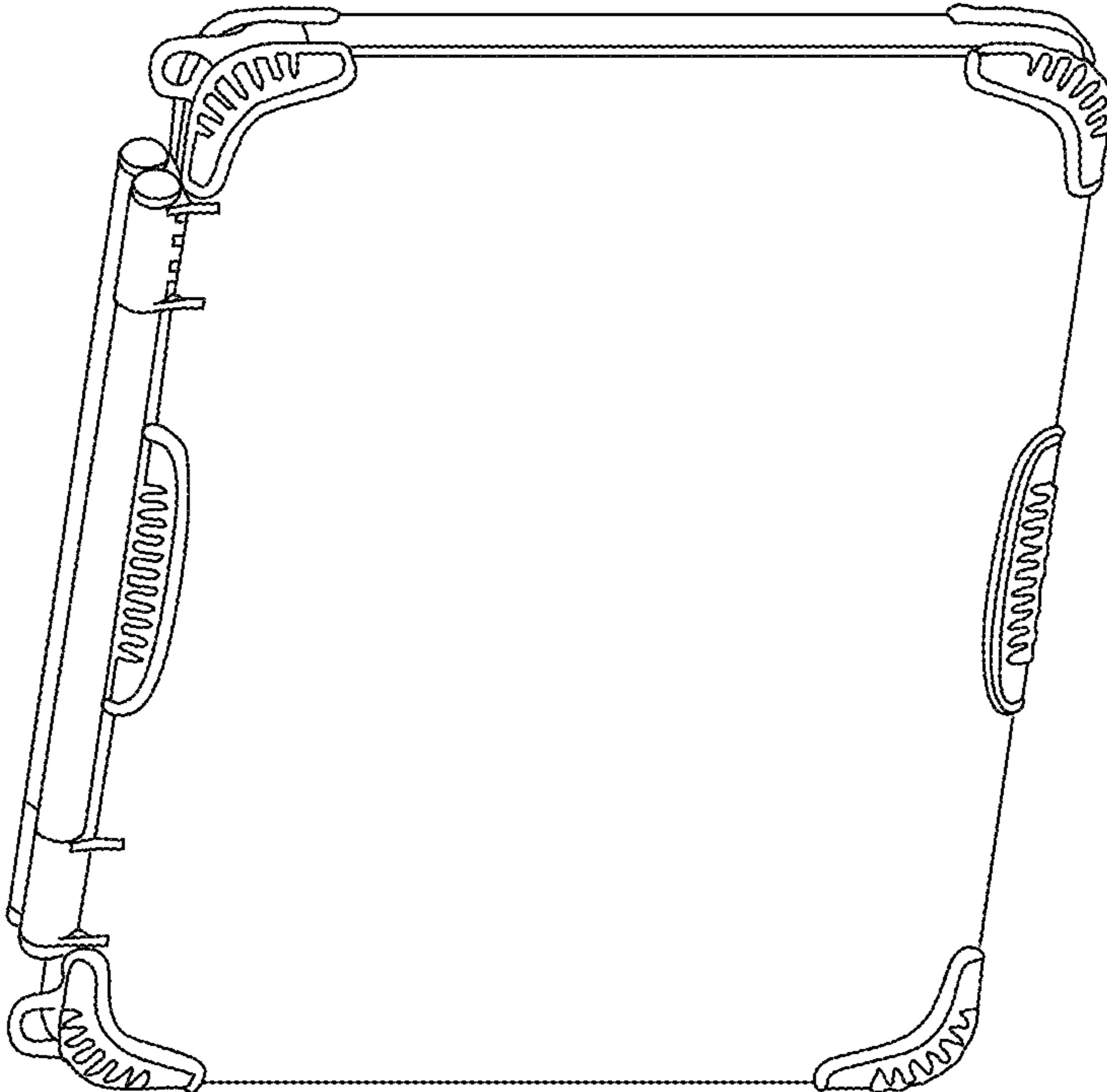


FIG. 1

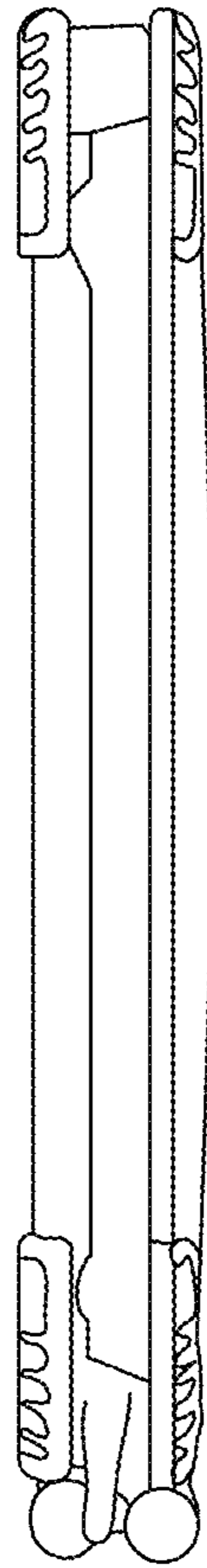


FIG. 2

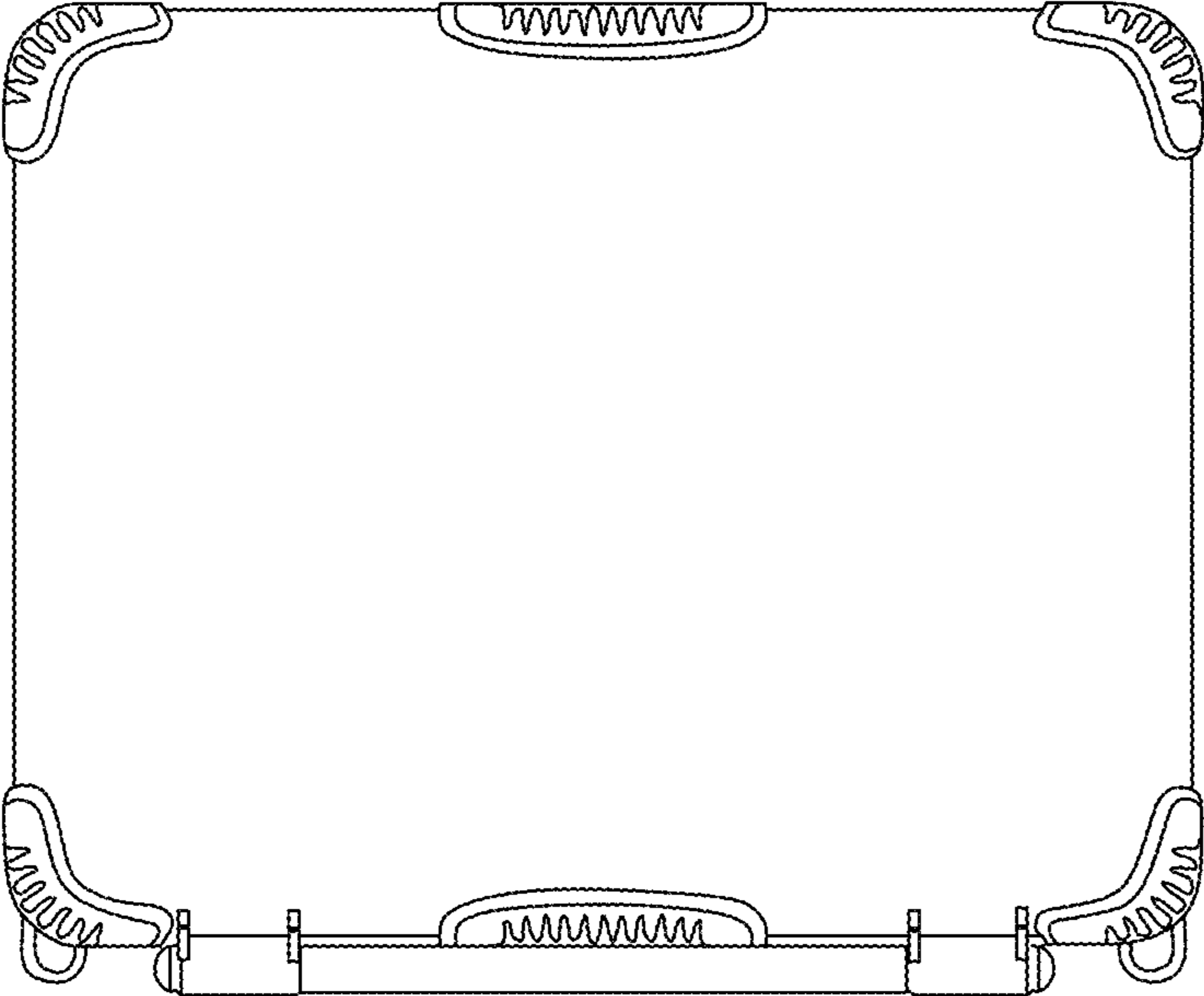


FIG. 3

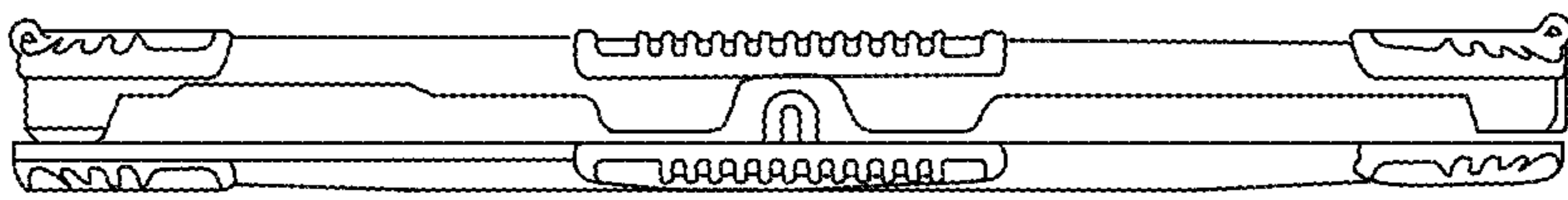


FIG. 4

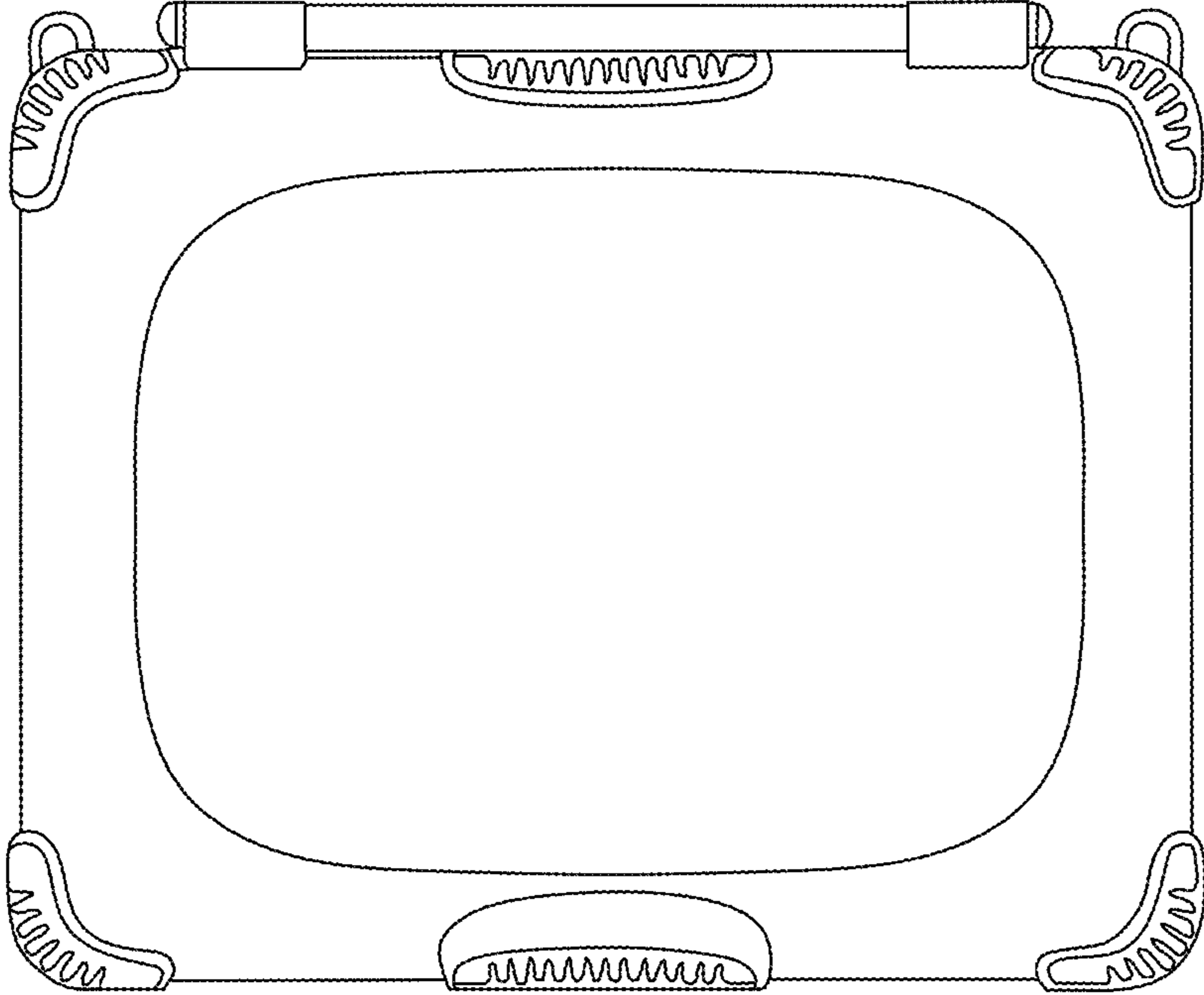


FIG. 5

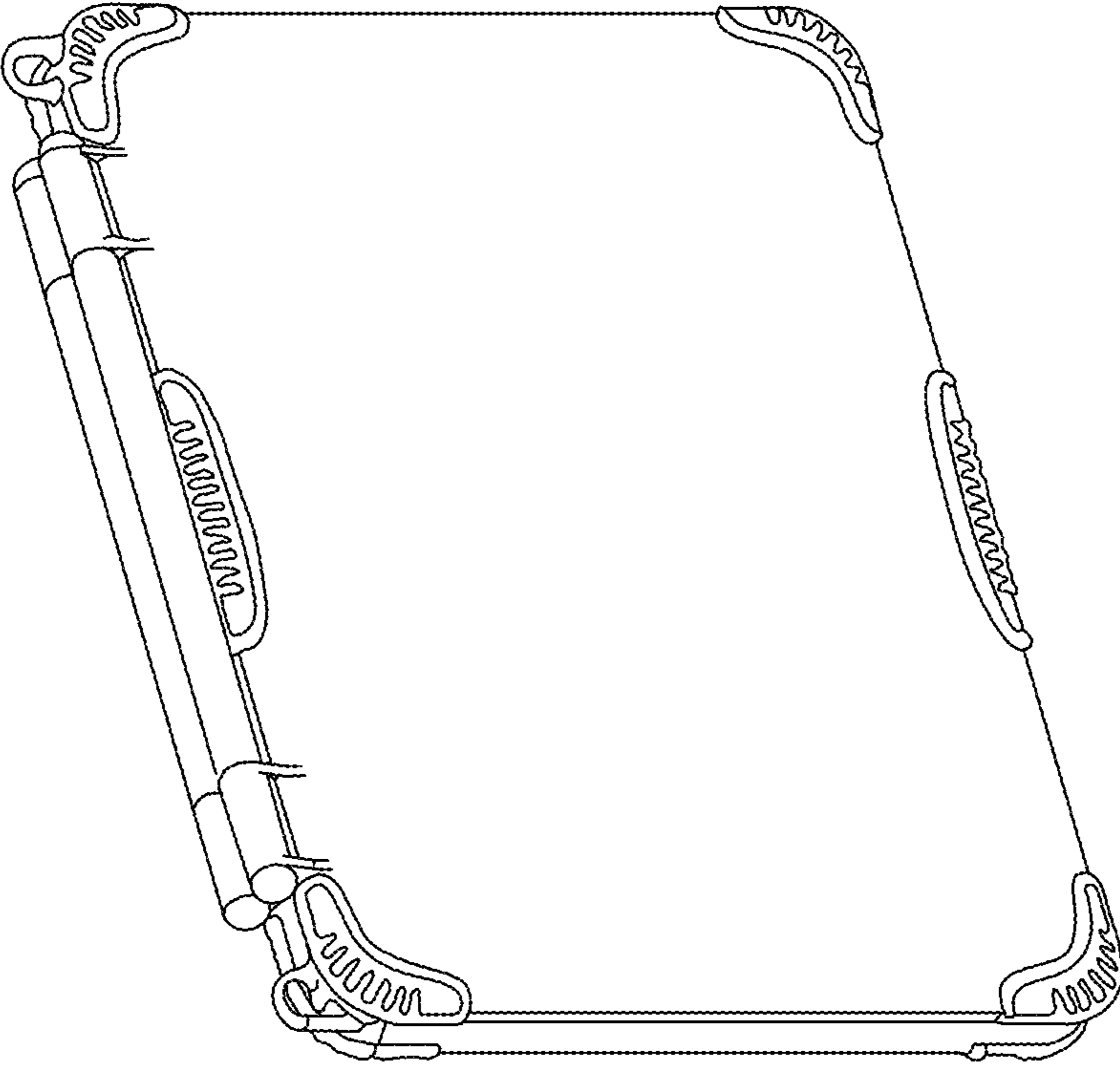


FIG. 6

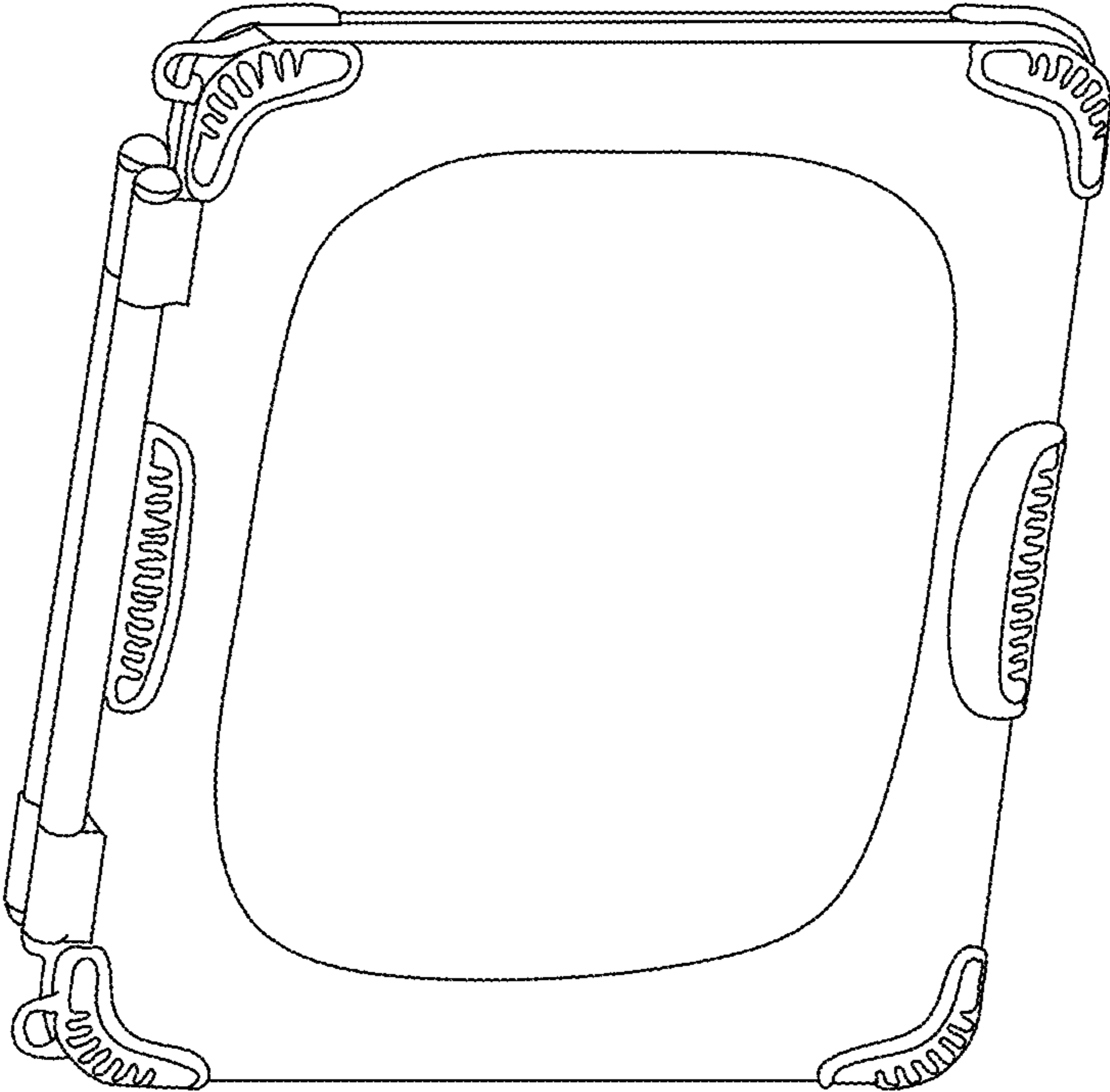


FIG. 7

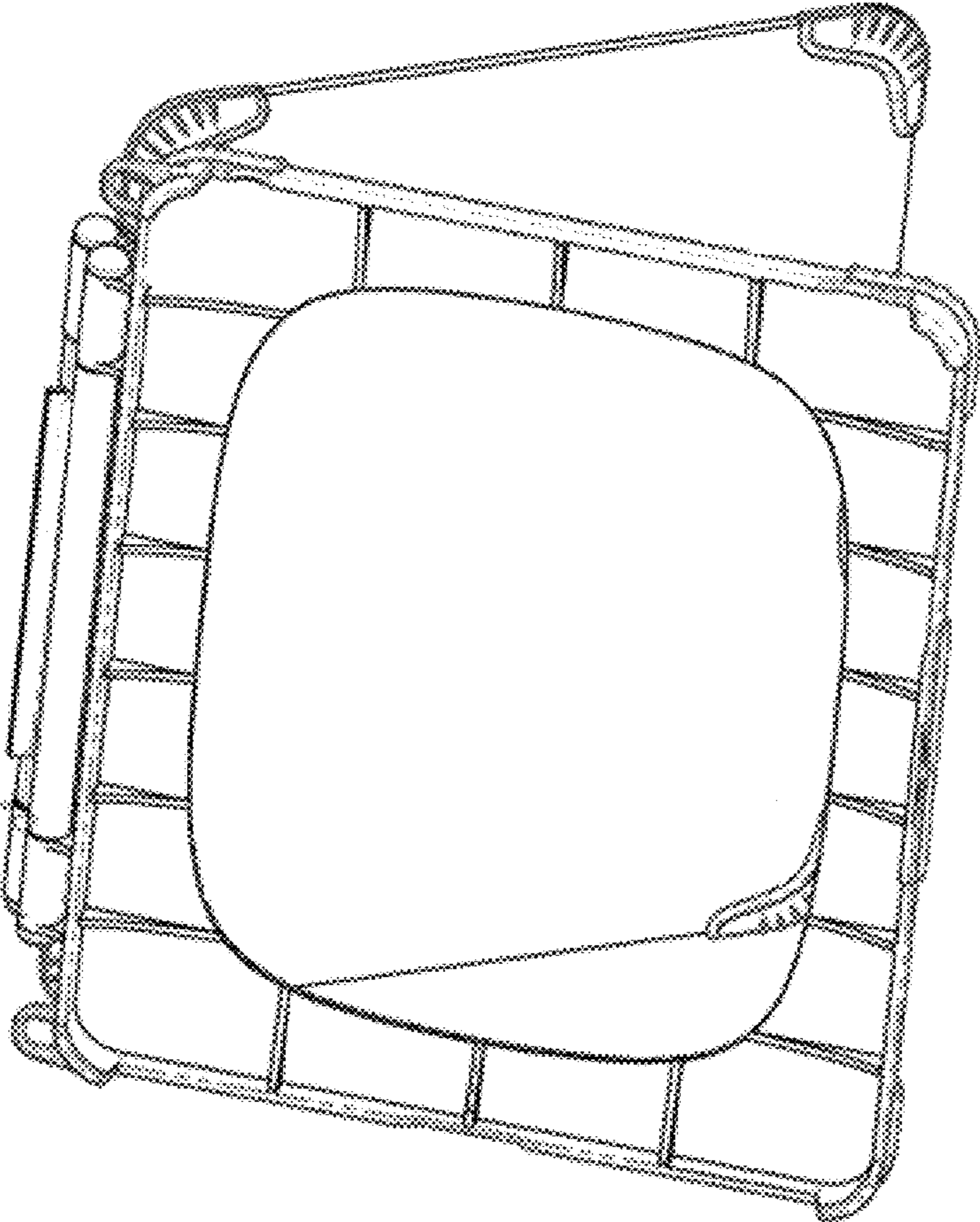


FIG. 8

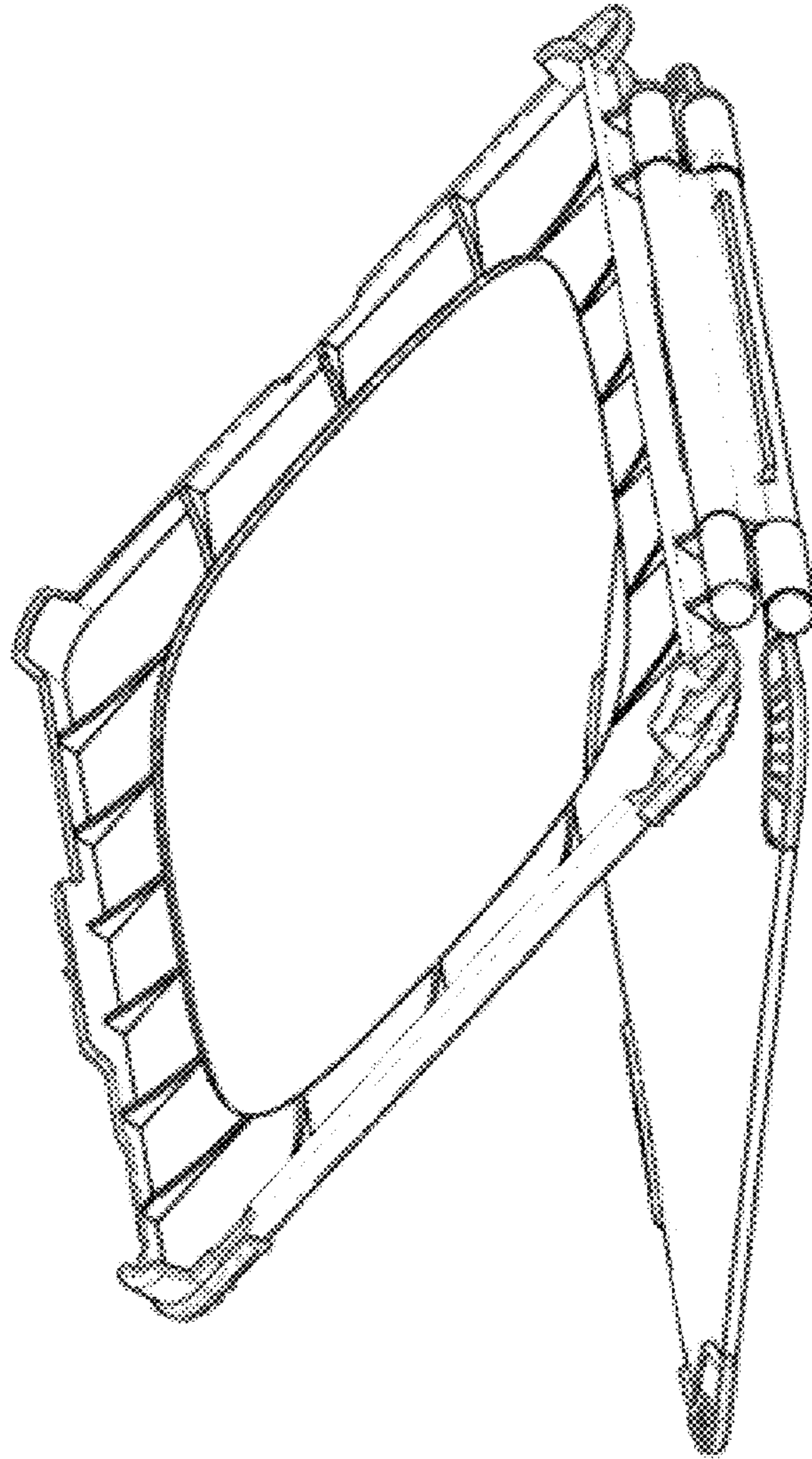


FIG. 9