

US00D693349S

(12) **United States Design Patent**  
**Morgan et al.**

(10) **Patent No.:** **US D693,349 S**

(45) **Date of Patent:** **\*\* Nov. 12, 2013**

(54) **INTERFACE**

(75) Inventors: **Michael Gene Morgan**, Los Altos Hills, CA (US); **Paul Thomas McParland**, Saratoga, CA (US); **Mu-Jung Chen**, New Taipei (TW); **Ming-Hsueh Tsai**, Taipei (TW)

(73) Assignee: **Seagate Technology LLC**, Cupertino, CA (US)

(\*\*) Term: **14 Years**

(21) Appl. No.: **29/388,316**

(22) Filed: **Mar. 28, 2011**

(51) **LOC (9) Cl.** ..... **14-02**

(52) **U.S. Cl.**  
USPC ..... **D14/434**

(58) **Field of Classification Search**  
USPC ..... D14/432-434, 314, 204, 420-421, 447, D14/217, 356-358, 140, 142; D13/107-108, 146; D8/373; 248/346.03, 176.1; 361/679.43; 320/109, 112-115; 710/15, 303; 455/557; 439/347, 534

See application file for complete search history.

(56) **References Cited**

**U.S. PATENT DOCUMENTS**

D3,894 S	3/1870	Jerauld	
D9,110 S	2/1876	Chandler	
575,348 A	1/1897	Hammond	
2,167,995 A *	8/1939	Preston	99/372
D153,268 S	4/1949	Eaton	
D208,519 S	9/1967	Stoy	
D245,818 S	9/1977	Persson	
D263,957 S	4/1982	Pemberton	
D285,558 S	9/1986	Isaacs	
D286,633 S	11/1986	Pauser	
D290,705 S	7/1987	Yomo	
D306,853 S *	3/1990	Mayo et al.	D13/168
D316,849 S	5/1991	Houghton	

D318,466 S *	7/1991	Grundstrom et al.	D14/434
5,030,128 A *	7/1991	Herron et al.	439/372
5,142,446 A *	8/1992	Tanaka et al.	361/679.43
D331,385 S *	12/1992	Oka	D13/110
D334,553 S	4/1993	Kobayashi	
D338,336 S	8/1993	Grant	
D342,478 S	12/1993	Brunner	
D361,758 S *	8/1995	Youens et al.	D14/434
D361,987 S *	9/1995	Yamazaki	D14/434
5,469,982 A	11/1995	Gordecki	
D394,261 S	5/1998	Chan	
D400,513 S	11/1998	Seirio	
D405,064 S *	2/1999	Iino	D14/434
5,865,651 A *	2/1999	Dague et al.	439/680

(Continued)

**OTHER PUBLICATIONS**

NComputing: X-series desktop virtualization kits, [online], [retrieved on Sep. 30, 2010]. Retrieved from the Internet <URL: <http://www.ncomputing.com/products-overview>>.\*

(Continued)

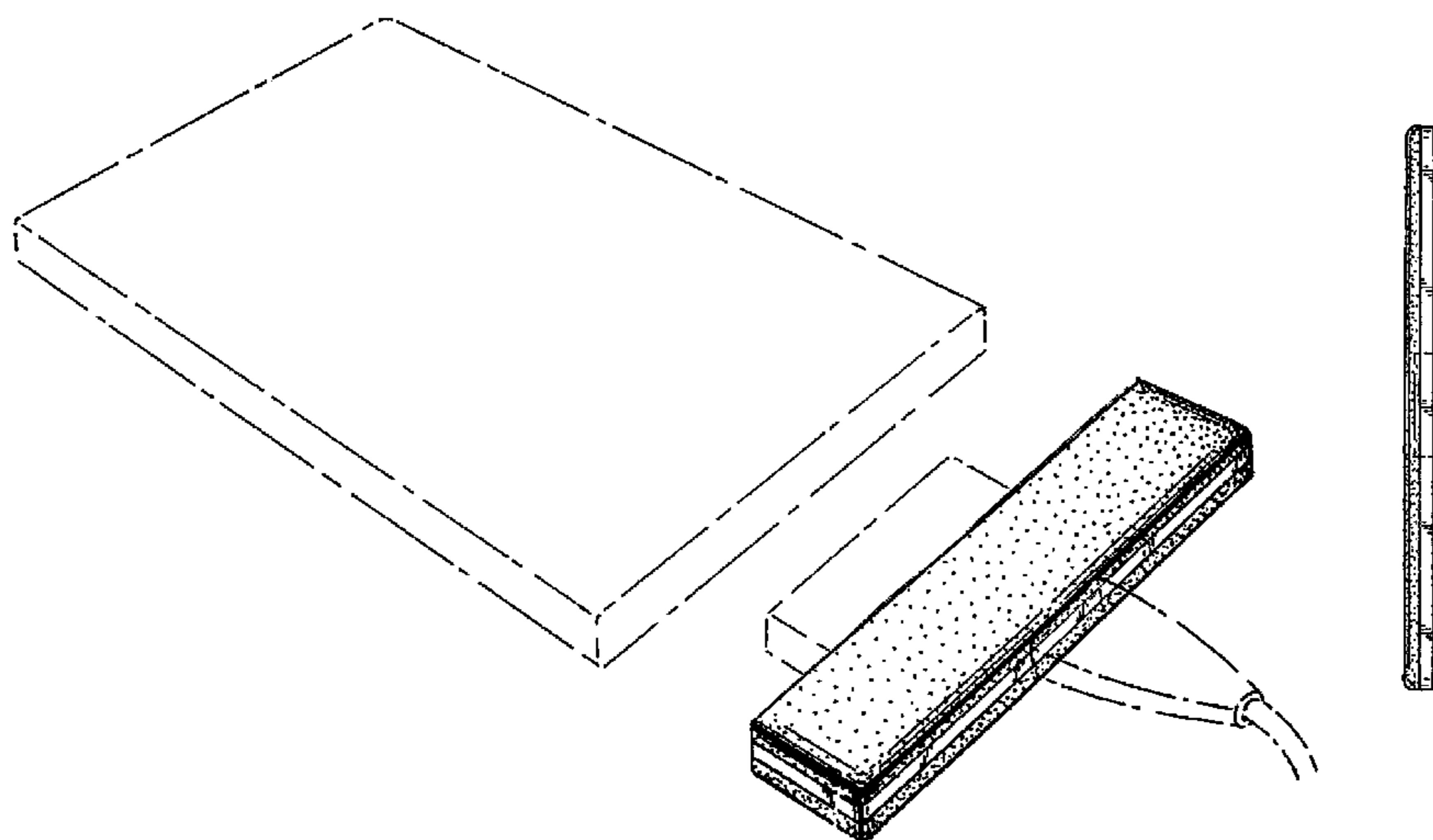
*Primary Examiner* — Karen E Kearney  
(74) *Attorney, Agent, or Firm* — Mueting Raash & Gebhardt

(57) **CLAIM**  
The ornamental design for an interface, as shown and described.

**DESCRIPTION**

FIG. 1 is a front perspective of an interface showing my new design;  
FIG. 2 is a rear view thereof;  
FIG. 3 is a top view thereof;  
FIG. 4 is a front view thereof;  
FIG. 5 is a bottom view thereof; and,  
FIG. 6 is a side view thereof, the opposite side view being a mirror image.  
The broken lines showing a cartridge and connector are for environmental purposes only and form no part of the claimed invention.

**1 Claim, 2 Drawing Sheets**



(56)

References Cited

U.S. PATENT DOCUMENTS

D407,689 S \* 4/1999 Dague et al. .... D13/147  
 D410,769 S 6/1999 Dorizas  
 D417,195 S \* 11/1999 Dague et al. .... D13/147  
 D419,136 S \* 1/2000 Tomizawa ..... D13/147  
 D422,574 S 4/2000 Fujii  
 6,069,790 A \* 5/2000 Howell et al. .... 361/679.43  
 D430,882 S \* 9/2000 Tsai ..... D14/434  
 6,116,655 A 9/2000 Thouin  
 D436,958 S 1/2001 Chen  
 6,185,807 B1 2/2001 Kazmierczak  
 D444,465 S 7/2001 Do  
 D454,130 S \* 3/2002 Do et al. .... D14/435.1  
 D477,824 S 7/2003 Taniguchi  
 6,621,693 B1 9/2003 Potter  
 D486,390 S 2/2004 Auclair  
 D486,814 S 2/2004 Nakamura  
 D494,999 S 8/2004 Cook, Jr.  
 D511,343 S 11/2005 Solomon  
 D513,617 S 1/2006 Tierney  
 D532,786 S 11/2006 Iseki  
 D536,695 S \* 2/2007 Griffin ..... D14/230  
 D547,758 S \* 7/2007 Ho et al. .... D14/480.7  
 D549,237 S \* 8/2007 Andre et al. .... D14/496  
 D556,211 S 11/2007 Howard  
 D561,765 S 2/2008 Jie  
 7,333,328 B2 2/2008 Funawatari  
 D569,848 S \* 5/2008 Suzuki ..... D14/217  
 D578,526 S 10/2008 Hwangbo  
 D580,854 S 11/2008 Kim  
 D583,796 S 12/2008 Tanaka  
 D594,864 S \* 6/2009 Song ..... D14/358  
 D595,279 S 6/2009 Chiba

D596,636 S 7/2009 Kim  
 D604,737 S \* 11/2009 Symons ..... D14/434  
 D617,323 S 6/2010 Willenz  
 D620,006 S 7/2010 Bull  
 D622,713 S 8/2010 Chung  
 D626,437 S 11/2010 Lee  
 D632,326 S 2/2011 Hou  
 D635,978 S \* 4/2011 Chen ..... D14/434  
 D636,357 S 4/2011 Kim  
 D639,782 S \* 6/2011 Kim ..... D14/218  
 D641,363 S 7/2011 Dublin  
 D647,908 S \* 11/2011 Chen et al. .... D14/434  
 D648,689 S 11/2011 Mehlsen  
 D662,498 S \* 6/2012 Morgan et al. .... D14/356  
 D674,339 S \* 1/2013 Lui et al. .... D13/108  
 D676,447 S \* 2/2013 Detemple ..... D14/434  
 D683,720 S \* 6/2013 Quinlan et al. .... D14/230  
 2011/0164351 A1 \* 7/2011 Ami et al. .... 361/657  
 2012/0117289 A1 \* 5/2012 Morgan et al. .... 710/301

OTHER PUBLICATIONS

Seagate External Portable HDD Only 9mm Thick, [online] posted Apr. 6, 2011 [retrieved on Nov. 22, 2011]. Retrieved from the Internet <URL: <http://www.storagenewsletter.com/news/disk/seagate-external-portable-hdd-only-9mm-sleek>>.\*  
 Slim Hard Drive | GoFlex Slim Performance Drive | Seagate, [online], [retrieved on Nov. 22, 2011]. Retrieved from the Internet <URL: <http://www.seagate.com/www/en-us/products/external/external-hard-drive/slim-hard-drive/>>.\*  
 U.S. Appl. No. 29/362,959, Dublin, filed Jun. 2, 2010.  
 U.S. Appl. No. 29/362,953, Dublin, filed Jun. 2, 2010.

\* cited by examiner

FIG. 1

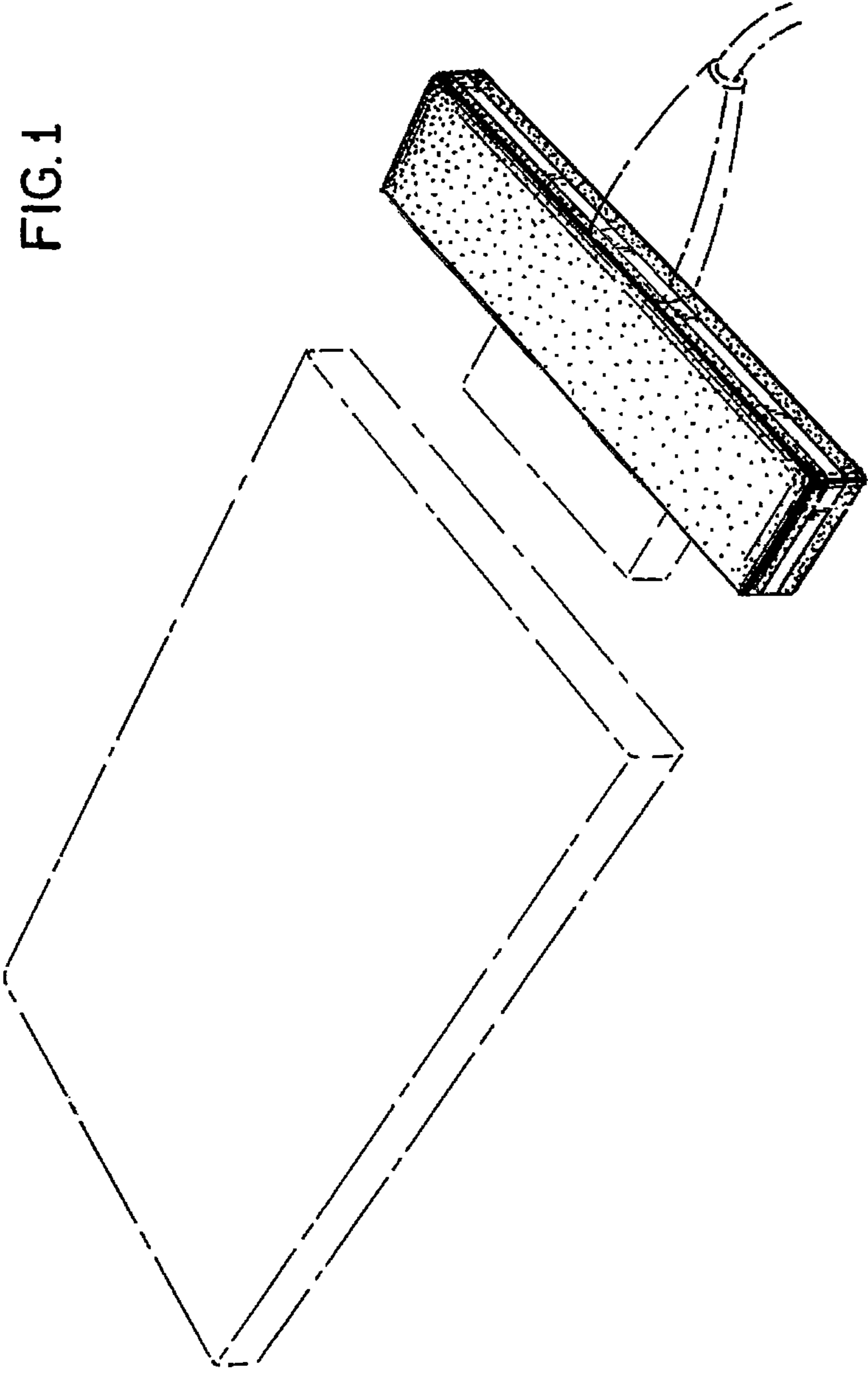


FIG.5

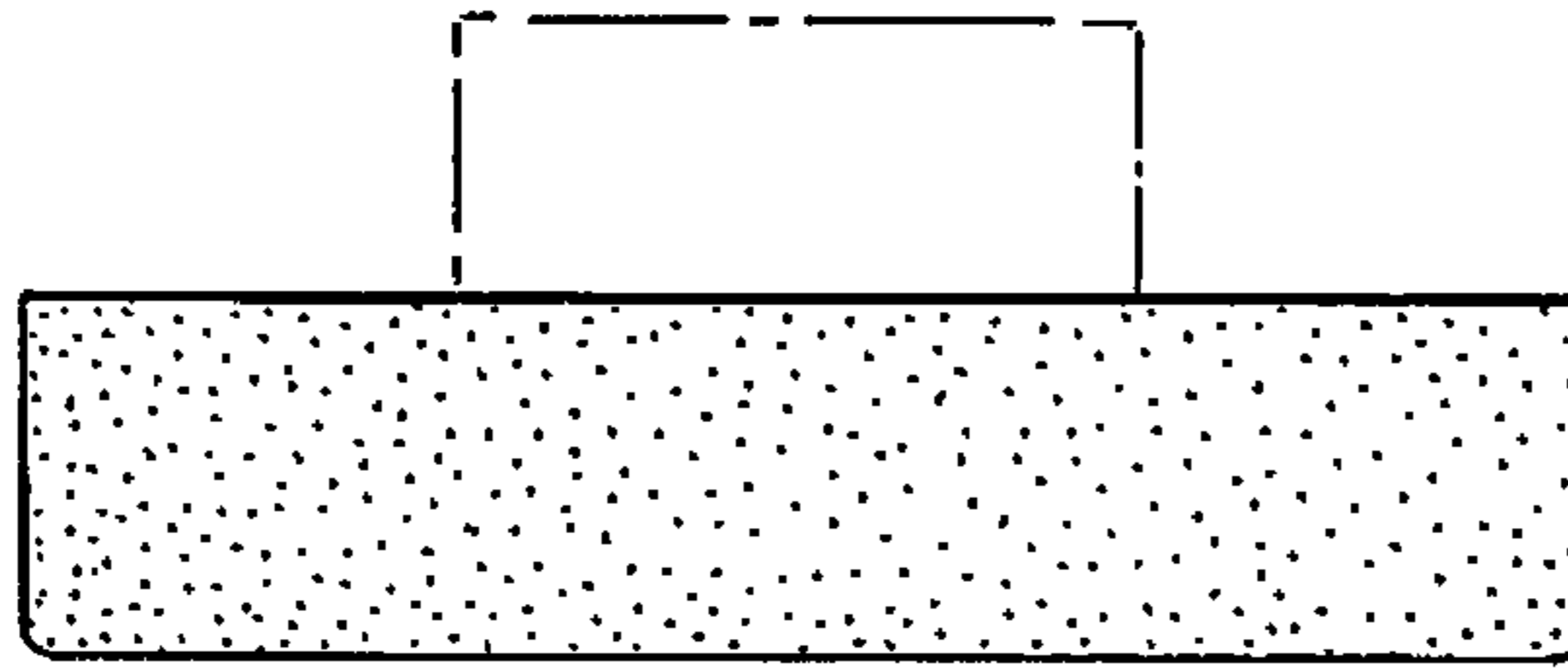


FIG.4

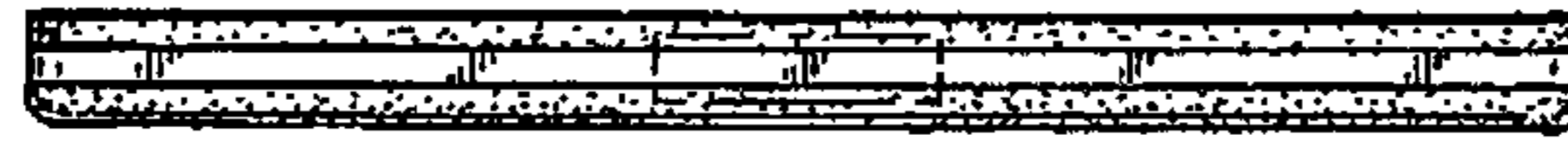


FIG.3

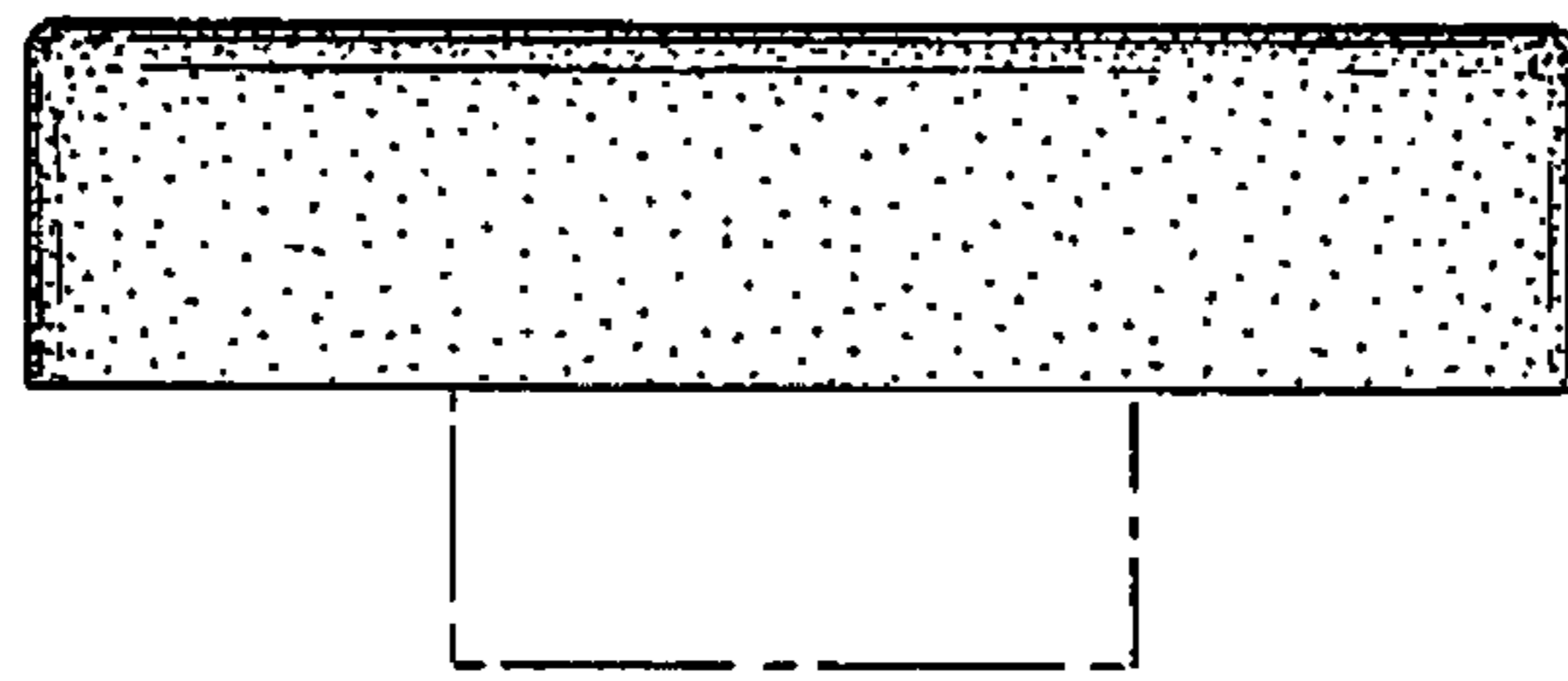


FIG.2

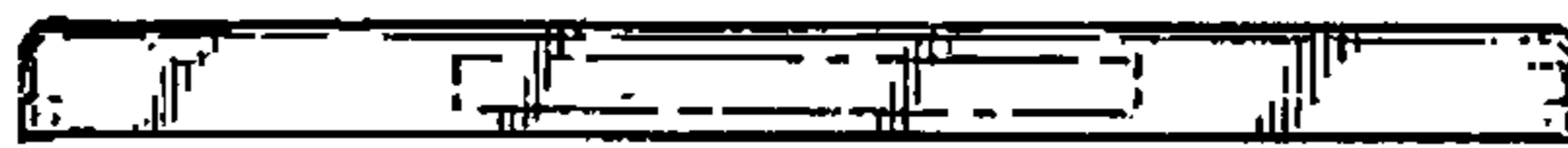


FIG.6