



US00D693347S

(12) **United States Design Patent**  
**Augustin, Jr. et al.**

(10) **Patent No.:** **US D693,347 S**  
(45) **Date of Patent:** **\*\* Nov. 12, 2013**

(54) **GUN VIDEO GAME CONTROLLER WITH SCOPE**

(75) Inventors: **Casimero Augustin, Jr.**, Santa Clara, CA (US); **Patrick Kelly**, Eden Prairie, MN (US); **Yat Lam Lee**, Mountain View, CA (US); **Timothy May**, Eden Prairie, MN (US); **Jeffrey Muench**, Eden Prairie, MN (US); **Jason Ness**, Eden Prairie, MN (US); **Yuk On Chan**, Mountain View, CA (US); **Christopher Owen**, Eden Prairie, MN (US); **Louis Polk, III**, Eden Prairie, MN (US); **Caleb Summers**, Eden Prairie, MN (US); **Stephen N. Withers**, Santa Clara, CA (US)

(73) Assignee: **Activision Publishing, Inc.**, Santa Monica, CA (US)

(\*\*) Term: **14 Years**

(21) Appl. No.: **29/417,490**

(22) Filed: **Apr. 4, 2012**

**Related U.S. Application Data**

(63) Continuation of application No. 29/384,601, filed on Feb. 1, 2011, now abandoned.

(51) **LOC (9) Cl.** ..... **21-01**

(52) **U.S. Cl.**  
USPC ..... **D14/418; D21/332**

(58) **Field of Classification Search**  
USPC ..... D14/399-402, 418, 496; D21/324, 328, D21/333, 573, 575, 332; 273/148 B, 440, 273/459, 460; 463/1, 30-36, 46, 47; 345/156, 161; 434/16, 18, 19, 20, 24  
See application file for complete search history.

(56) **References Cited**

**U.S. PATENT DOCUMENTS**

D243,111 S 1/1977 Barthropp  
D245,444 S 8/1977 Hotchkiss

(Continued)

**FOREIGN PATENT DOCUMENTS**

WO PCT/US2007/070369 12/2007

*Primary Examiner* — Prabhakar Deshmukh

(74) *Attorney, Agent, or Firm* — Klein, O'Neil & Singh, LLP

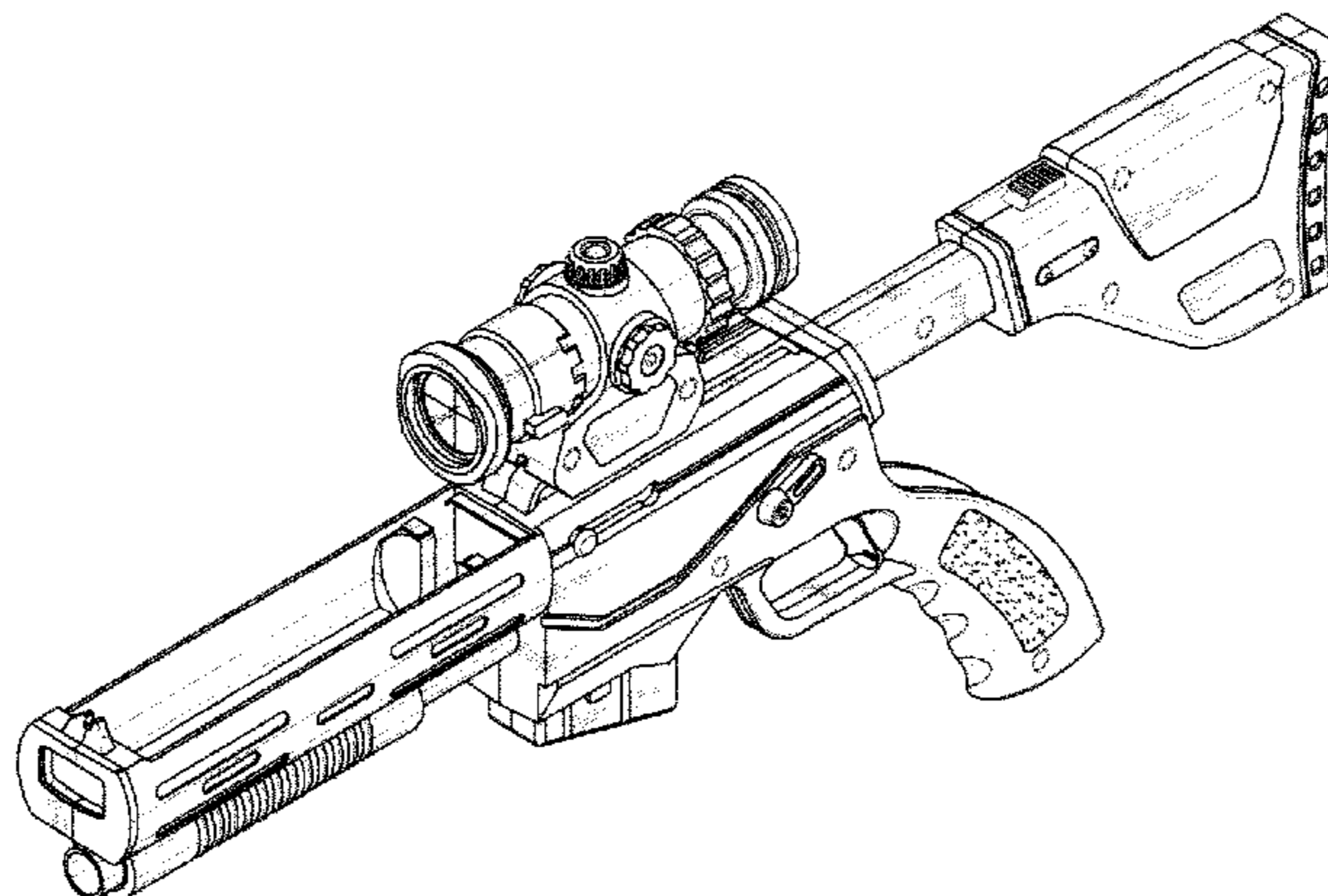
(57) **CLAIM**

The ornamental design for a gun video game controller with scope, as shown and described.

**DESCRIPTION**

FIG. 1 is a perspective view of a gun video game controller with scope in accordance with our design;  
FIG. 2 is a left side view of the gun video game controller with scope of FIG. 1;  
FIG. 3 is a top view of the gun video game controller with scope of FIG. 1;  
FIG. 4 is a right side view of the gun video game controller with scope of FIG. 1;  
FIG. 5 is a bottom view of the gun video game controller with scope of FIG. 1;  
FIG. 6 is a front view of the gun video game controller with scope of FIG. 1;  
FIG. 7 is a rear view of the gun video game controller with scope of FIG. 1;  
FIG. 8 is a rear perspective view of the gun video game controller with scope of FIG. 1;  
FIG. 9 is a perspective view of an alternate embodiment of a gun video game controller with scope in accordance with our new design;  
FIG. 10 is a left side view of the gun video game controller with scope of FIG. 9;  
FIG. 11 is a top view of the gun video game controller with scope of FIG. 9;  
FIG. 12 is a right side view of the gun video game controller with scope of FIG. 9;  
FIG. 13 is a bottom view of the gun video game controller with scope of FIG. 9;  
FIG. 14 is a front view of the gun video game controller with scope of FIG. 9; and,  
FIG. 15 is a rear view of the gun video game controller with scope of FIG. 9.

**1 Claim, 5 Drawing Sheets**



(56)

References Cited

U.S. PATENT DOCUMENTS

D247,714 S	4/1978	Clifford		5,975,068 A	11/1999	Halter et al.	
D249,800 S	10/1978	Yates et al.		5,984,788 A	11/1999	Lebensfeld et al.	
D251,914 S	5/1979	Romano		D418,177 S	12/1999	Lebensfeld et al.	
D251,979 S	5/1979	Hance		D423,609 S	4/2000	D'Andrade et al.	
D253,485 S	11/1979	Robinson		D423,610 S	4/2000	Lebensfeld et al.	
D253,544 S	11/1979	Elbe		D433,074 S	10/2000	Clemmer	
4,175,747 A *	11/1979	Hudson	463/49	D436,108 S *	1/2001	Lee	D14/418
D258,166 S	2/1981	Barthropp		6,196,919 B1	3/2001	Okubo	
D258,304 S	2/1981	Charcornac		6,261,180 B1	7/2001	Lebensfeld et al.	
4,296,929 A	10/1981	Meyer et al.		6,302,796 B1	10/2001	Lebensfeld et al.	
4,322,080 A	3/1982	Pennington		D451,977 S	12/2001	Urbano	
D267,574 S	1/1983	Barthropp		6,328,651 B1	12/2001	Lebensfeld et al.	
4,750,641 A *	6/1988	Chin-Fu	222/79	6,582,299 B1	6/2003	Matsuyama et al.	
4,811,955 A *	3/1989	De Bernardini	463/51	D482,082 S	11/2003	Chang	
D304,049 S	10/1989	Lee		6,672,962 B1	1/2004	Ozaki et al.	
4,898,391 A	2/1990	Kelly et al.		6,677,935 B2	1/2004	Kobayashi et al.	
5,004,444 A *	4/1991	Chih	446/406	6,902,483 B2 *	6/2005	Lin	463/37
D318,309 S	7/1991	D'Andrade		D521,568 S *	5/2006	Hussaini et al.	D21/333
5,073,140 A	12/1991	Lebensfeld et al.		7,040,986 B2	5/2006	Koshima et al.	
5,215,464 A	6/1993	Marshall et al.		D524,871 S *	7/2006	Nunokawa	D21/333
D340,750 S	10/1993	Salmon et al.		7,185,787 B2	3/2007	Brown et al.	
D347,250 S	5/1994	Yu		7,267,118 B2	9/2007	Eddins et al.	
5,351,969 A *	10/1994	Smith et al.	463/5	7,287,526 B1	10/2007	Bligh et al.	
D367,685 S	3/1996	Luk		7,306,523 B1	12/2007	Jeffway, Jr. et al.	
5,569,085 A *	10/1996	Igarashi et al.	463/49	7,410,404 B2	8/2008	Saeki	
5,741,185 A	4/1998	Kwan et al.		D576,624 S *	9/2008	Ashida et al.	D14/400
D396,068 S	7/1998	Chikui et al.		7,510,477 B2	3/2009	Argentar	
5,785,592 A	7/1998	Jacobsen		7,513,700 B2	4/2009	Nelson	
D398,661 S *	9/1998	Lee	D21/333	7,536,817 B2	5/2009	Storch	
D403,367 S	12/1998	Lebensfeld et al.		7,568,975 B2	8/2009	Koshima et al.	
5,853,324 A	12/1998	Kami et al.		7,594,502 B1	9/2009	Anderson	
D410,048 S	5/1999	Luk		7,627,139 B2	12/2009	Marks et al.	
D416,954 S	11/1999	Yu		7,632,187 B1	12/2009	Farley et al.	
				7,677,232 B2	3/2010	Rosenblum et al.	
				D646,281 S *	10/2011	Markowitz et al.	D14/418

\* cited by examiner

FIG. 1

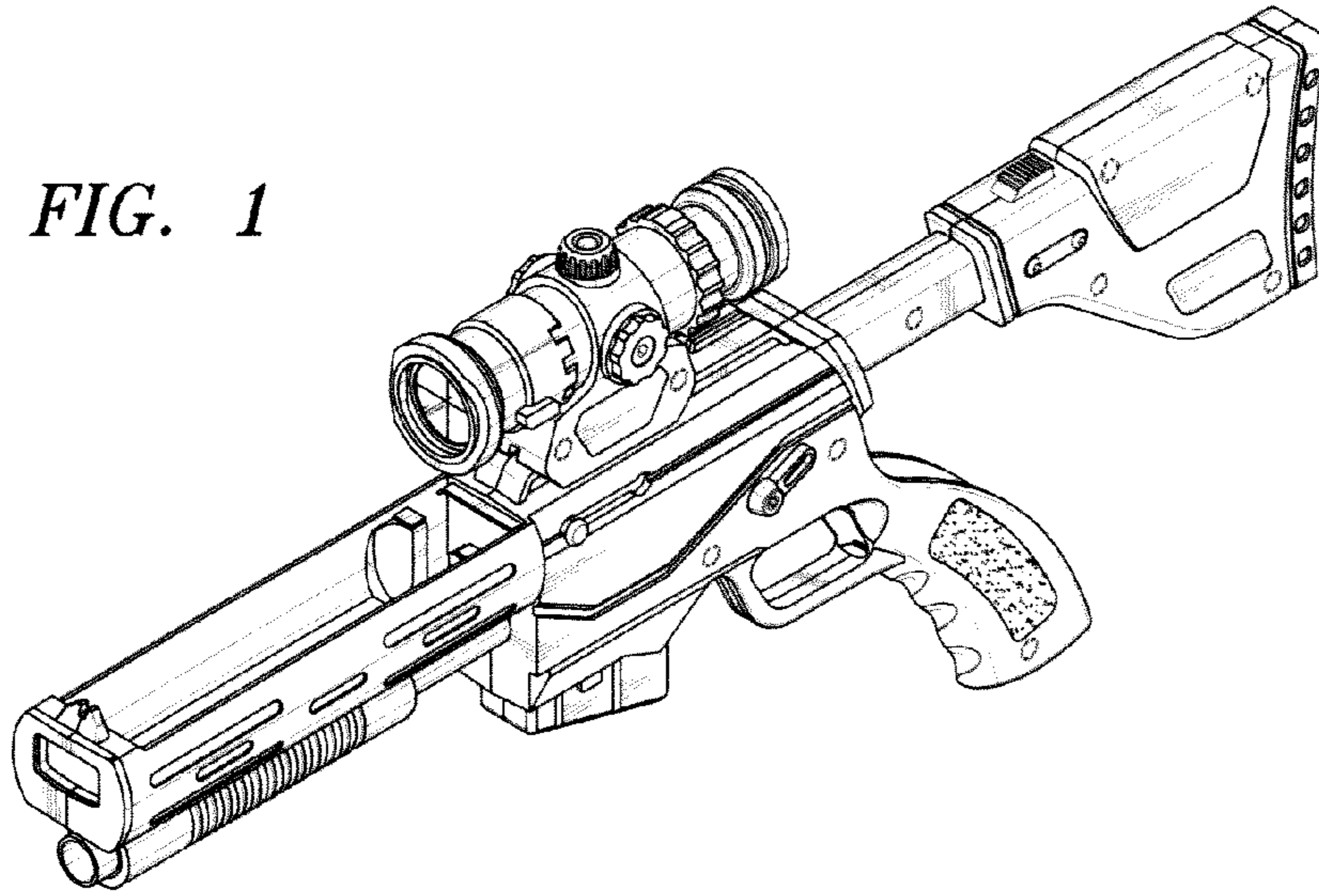


FIG. 2

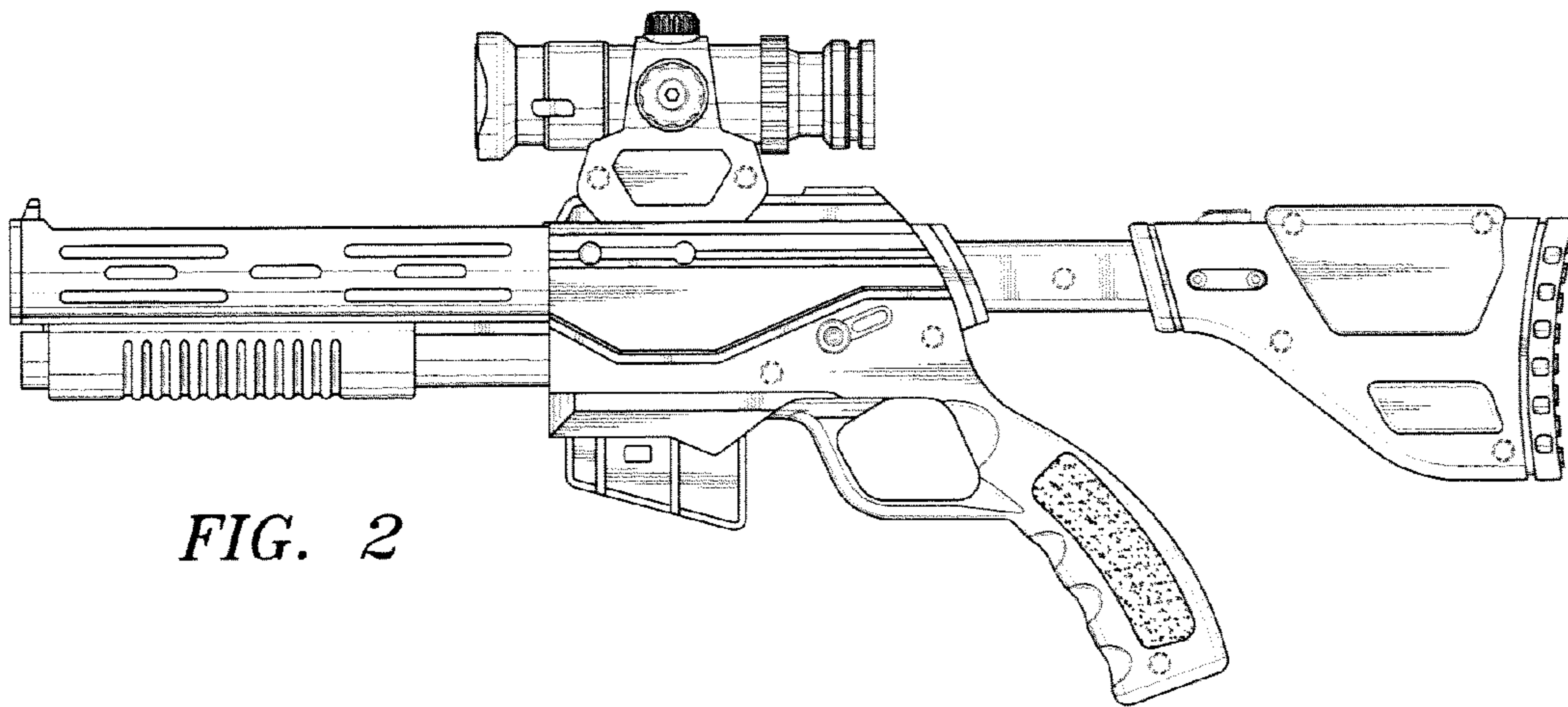
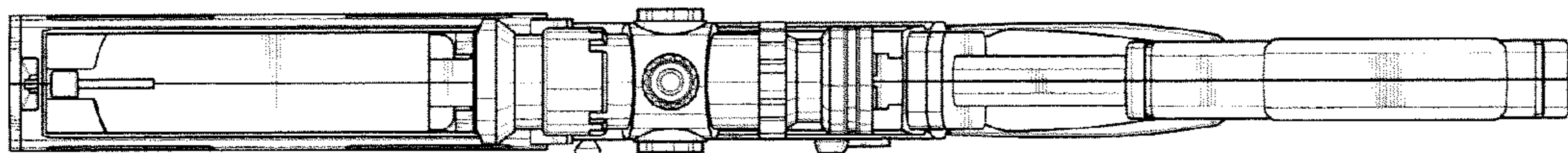


FIG. 3



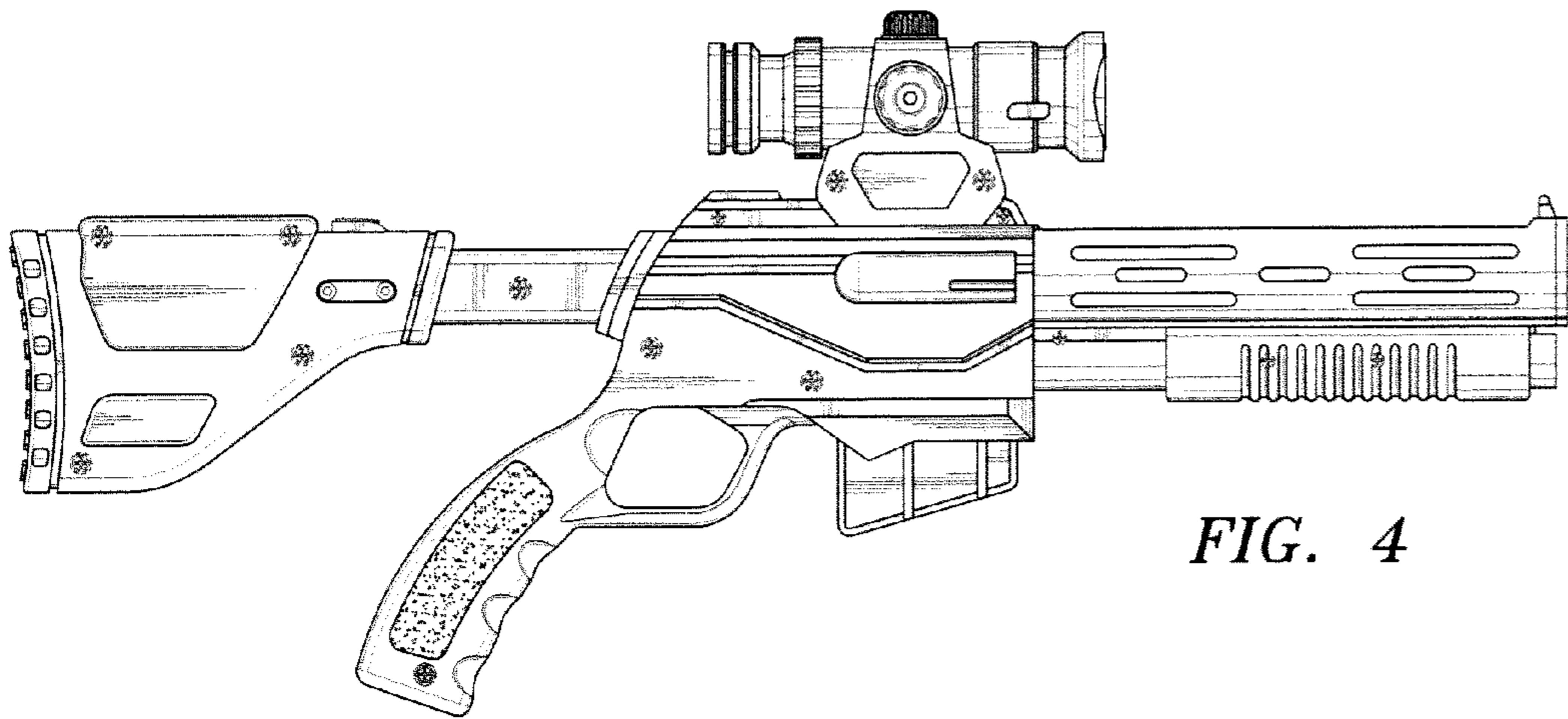


FIG. 4

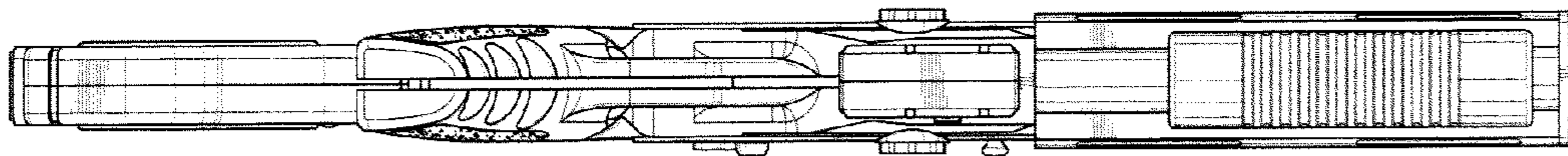


FIG. 5

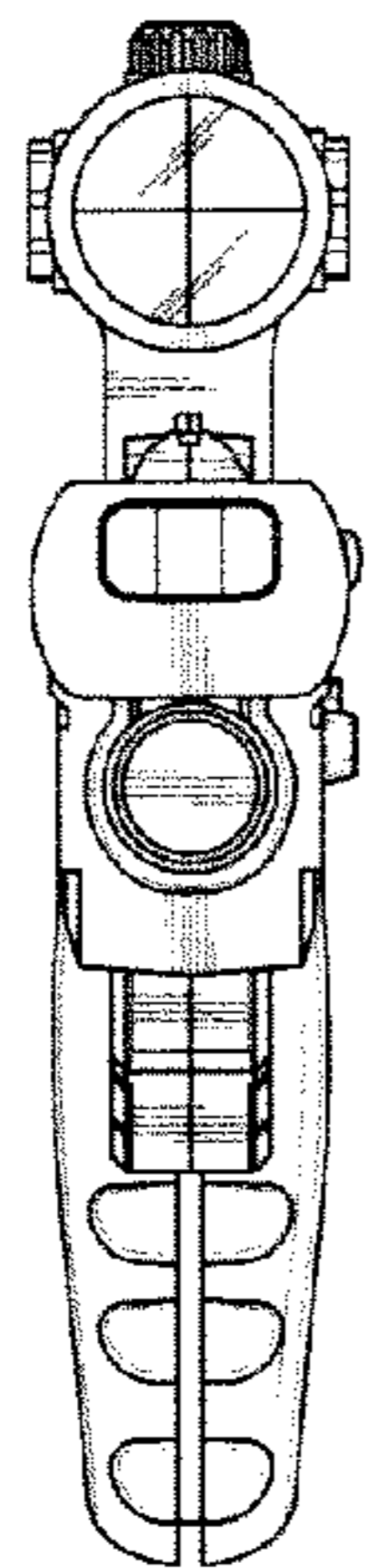


FIG. 6

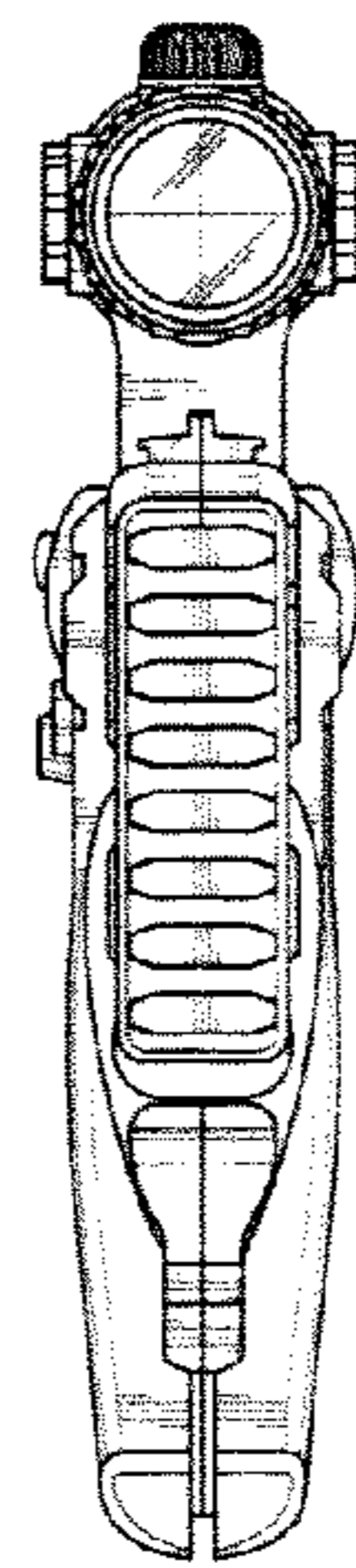
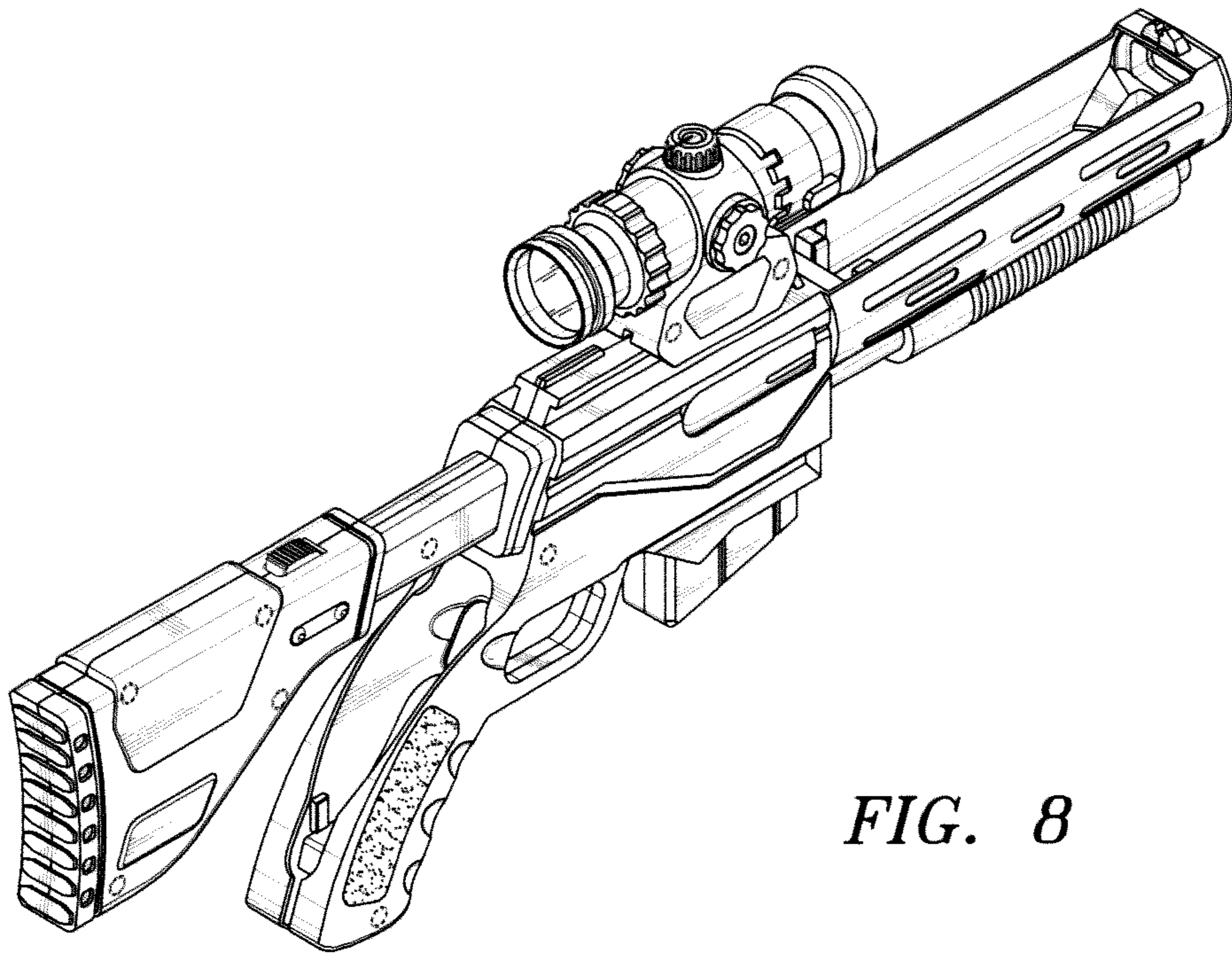
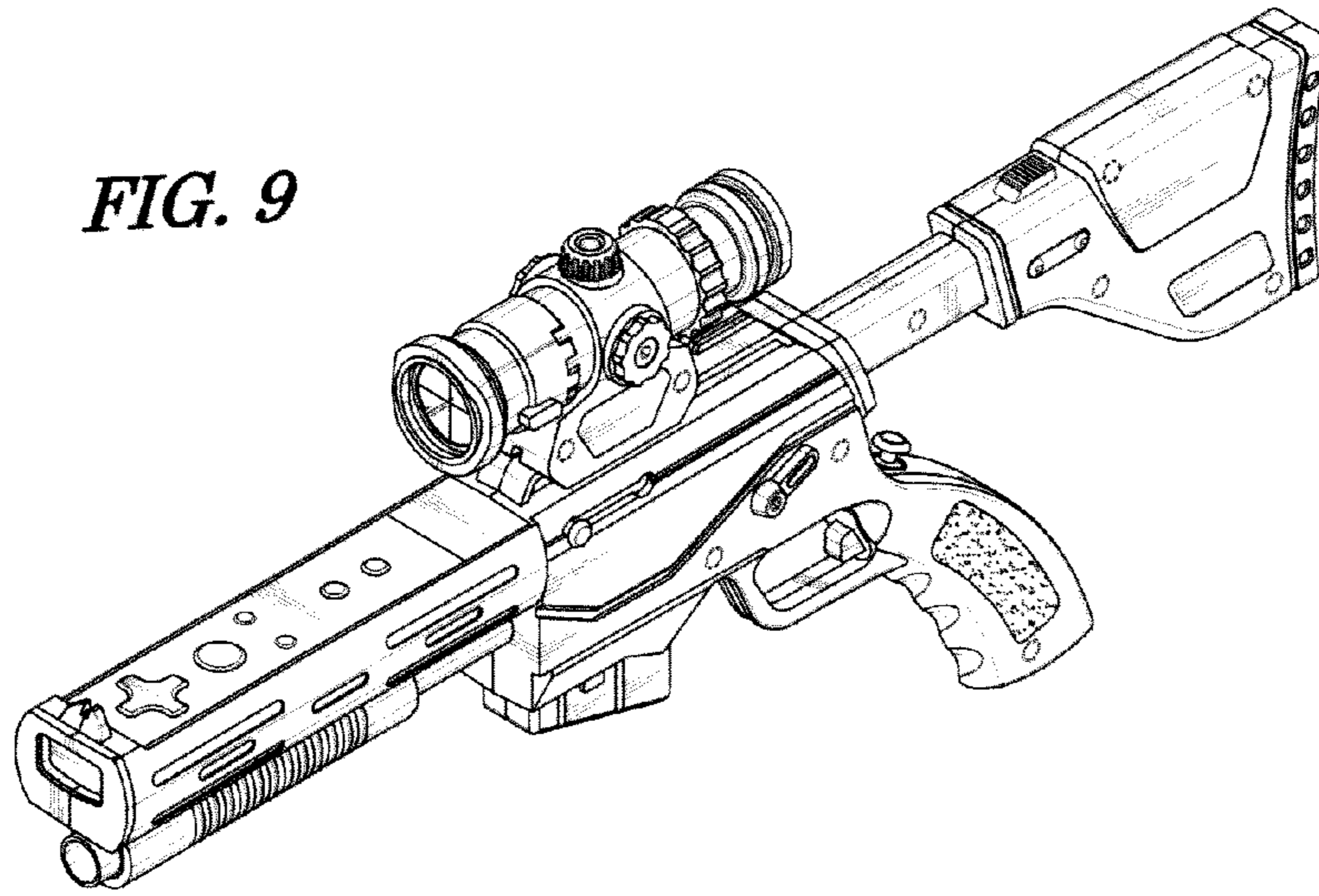


FIG. 7

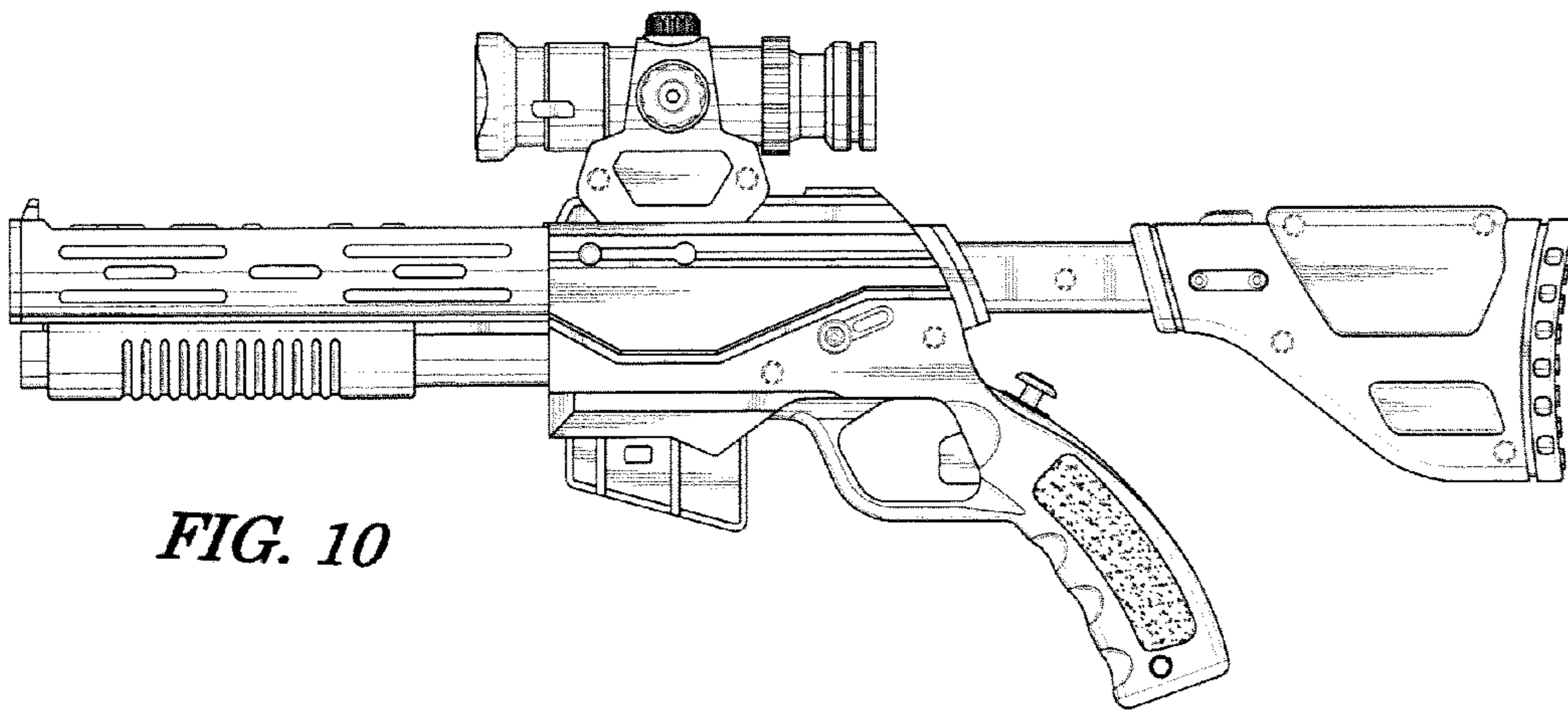


*FIG. 8*

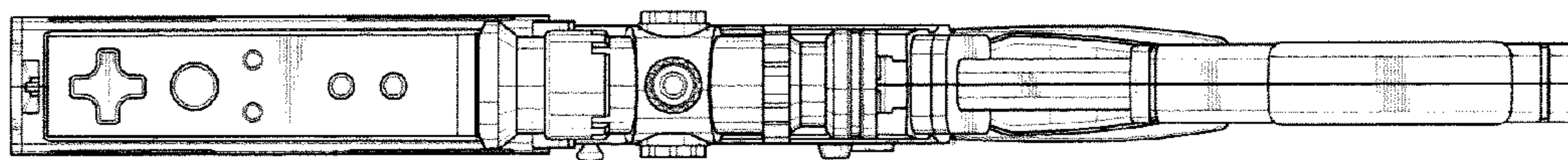
*FIG. 9*

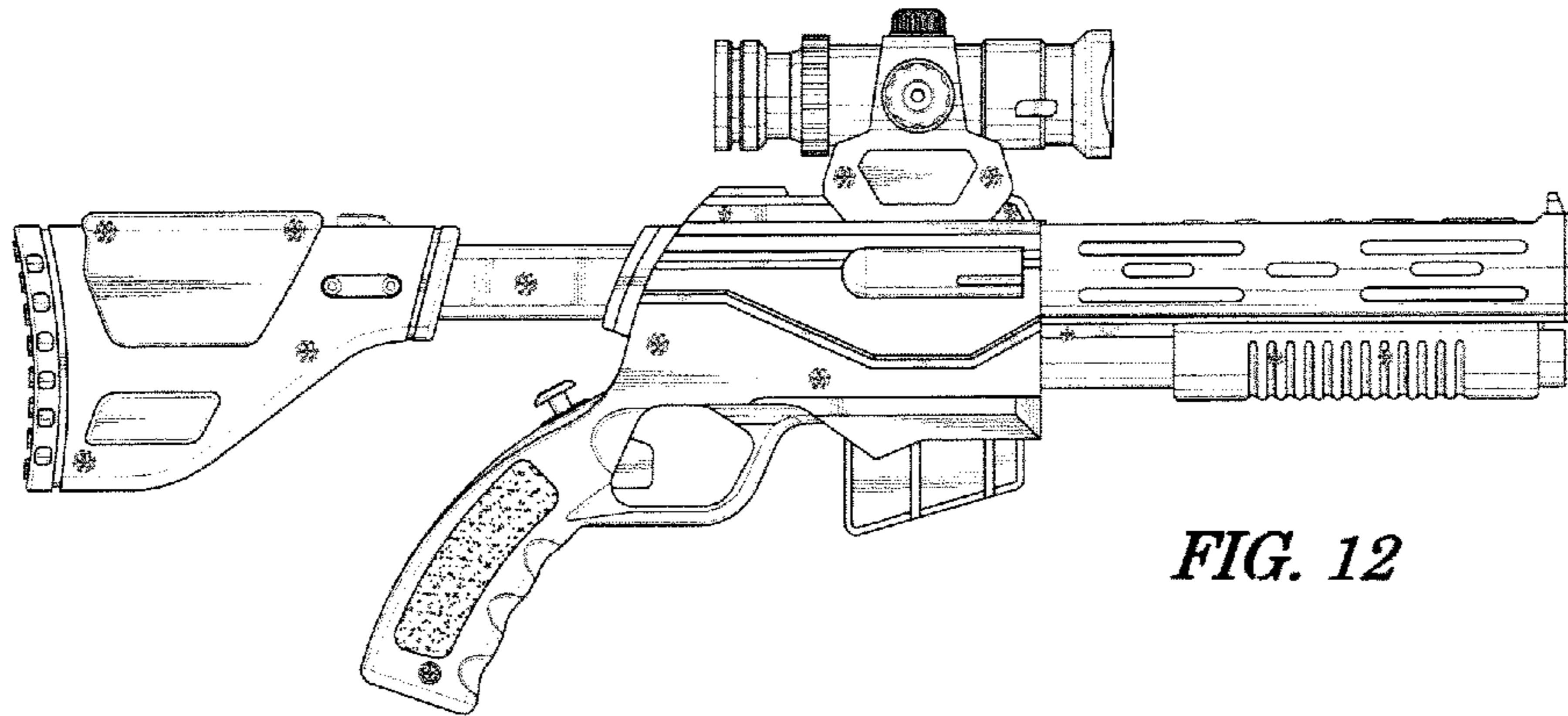


*FIG. 10*

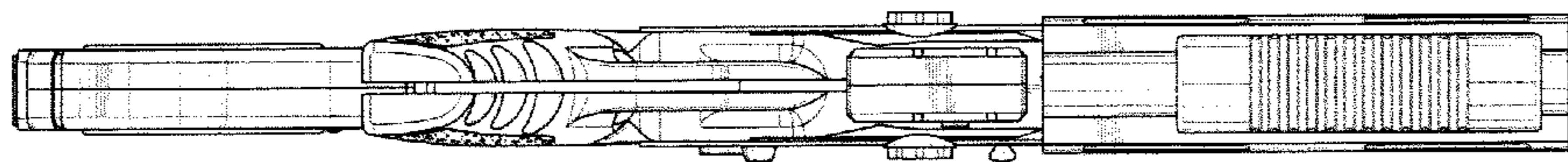


*FIG. 11*

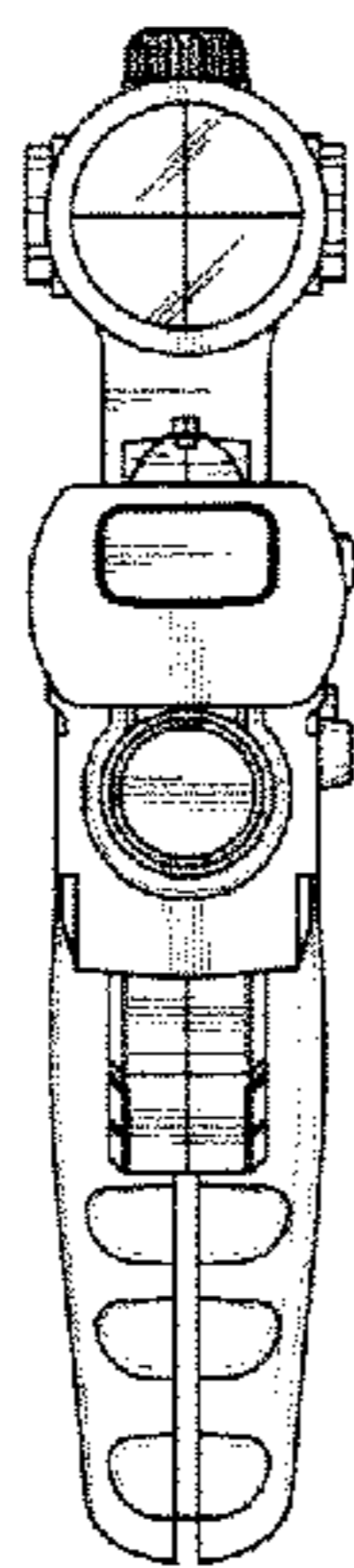




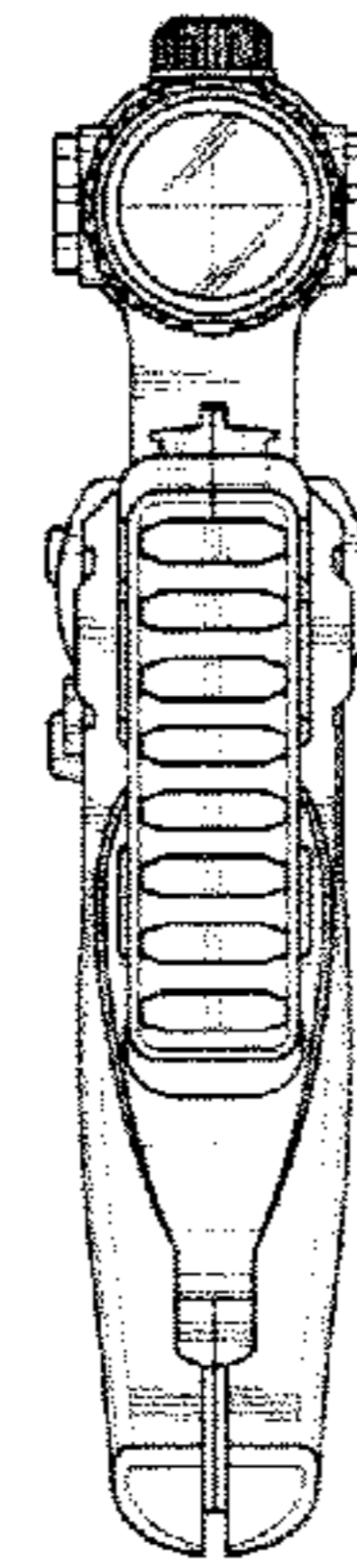
*FIG. 12*



*FIG. 13*



*FIG. 14*



*FIG. 15*