



US00D693346S

(12) **United States Design Patent**  
**Coulter**

(10) **Patent No.:** **US D693,346 S**

(45) **Date of Patent:** **\*\* Nov. 12, 2013**

- (54) **INTERCHANGEABLE JOYSTICK**
- (71) Applicant: **Todd Coulter**, Memphis, TN (US)
- (72) Inventor: **Todd Coulter**, Memphis, TN (US)
- (\*\*) Term: **14 Years**
- (21) Appl. No.: **29/435,582**
- (22) Filed: **Oct. 25, 2012**

D310,874 S *	9/1990	Utley, Jr. ....	D23/376
D331,060 S *	11/1992	Emmons et al. ....	D14/218
D474,672 S *	5/2003	Fields .....	D8/310
D501,848 S *	2/2005	Uehara et al. ....	D14/240
D518,030 S *	3/2006	Lin .....	D14/218
D521,512 S *	5/2006	Kunzi et al. ....	D14/388
D540,395 S *	4/2007	Bailey .....	D21/333
D558,767 S *	1/2008	Solland .....	D14/412
D603,457 S *	11/2009	Julskjer et al. ....	D21/324
D613,291 S *	4/2010	Carver .....	D14/432
D617,847 S *	6/2010	Royer et al. ....	D21/333
D625,295 S *	10/2010	Nogueira et al. ....	D14/218
D632,281 S *	2/2011	Hoehn et al. ....	D14/218
D639,783 S *	6/2011	Murayama et al. ....	D14/218

**Related U.S. Application Data**

- (62) Division of application No. 29/415,949, filed on Mar. 15, 2012, now Pat. No. Des. 678,284.
- (51) **LOC (9) Cl.** ..... **14-02**
- (52) **U.S. Cl.**  
USPC ..... **D14/412**
- (58) **Field of Classification Search**  
USPC ..... D14/217, 218, 356, 388, 389, 400, 401,  
D14/412-416, 432-434, 454, 496;  
D21/324, 332, 333; D34/27, 35; 463/1,  
463/30, 36-38, 46, 47; 345/156-161, 905;  
D12/174, 178-180; D8/300, 303;  
D15/138, 142; 74/489, 502.2, 523,  
74/551.8, 551.9  
See application file for complete search history.

\* cited by examiner

*Primary Examiner* — Keli L Hill

(74) *Attorney, Agent, or Firm* — QuickPatents; Kevin Prince

(57) **CLAIM**

I claim the ornamental design for an interchangeable joystick, as shown and described.

**DESCRIPTION**

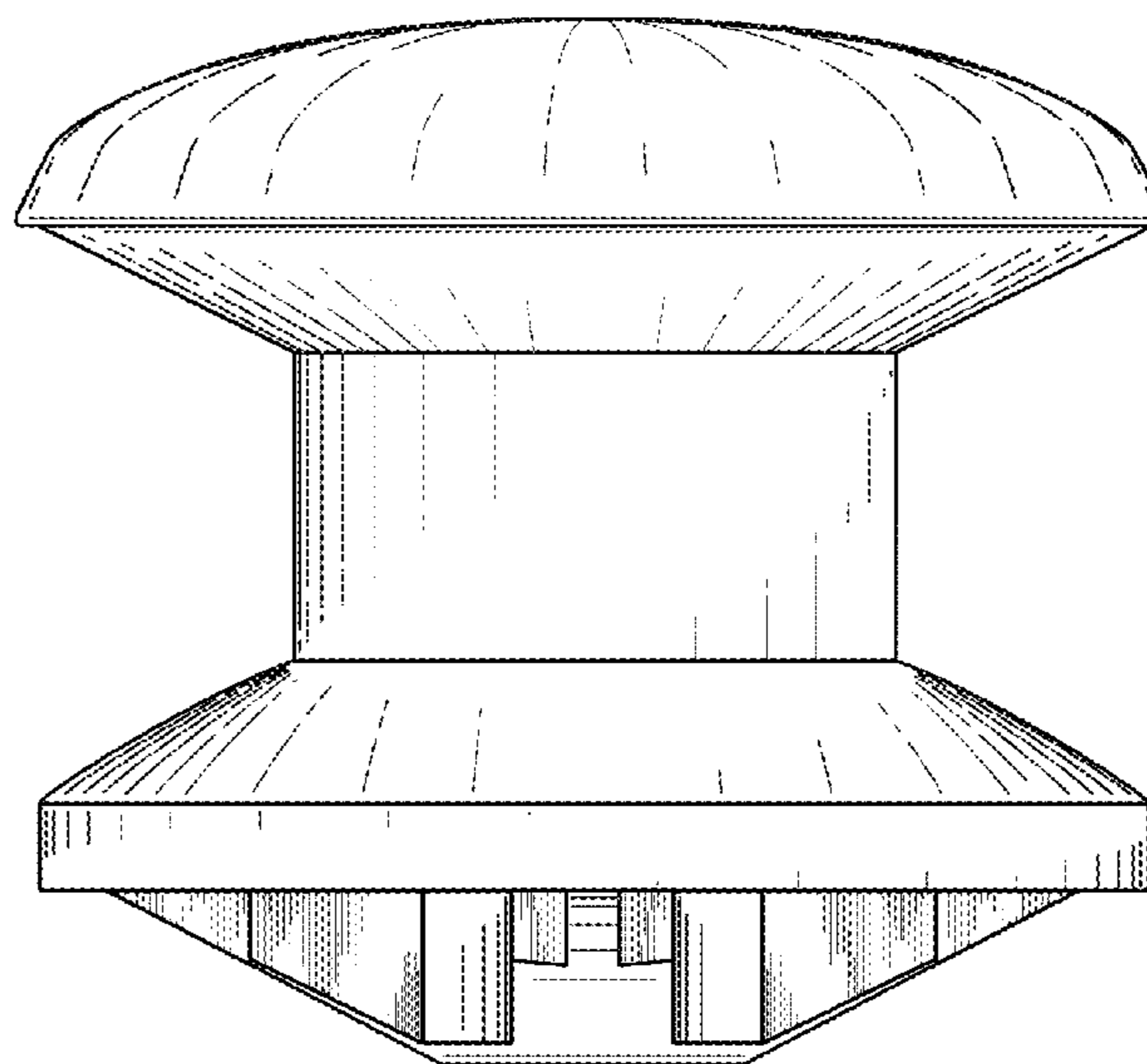
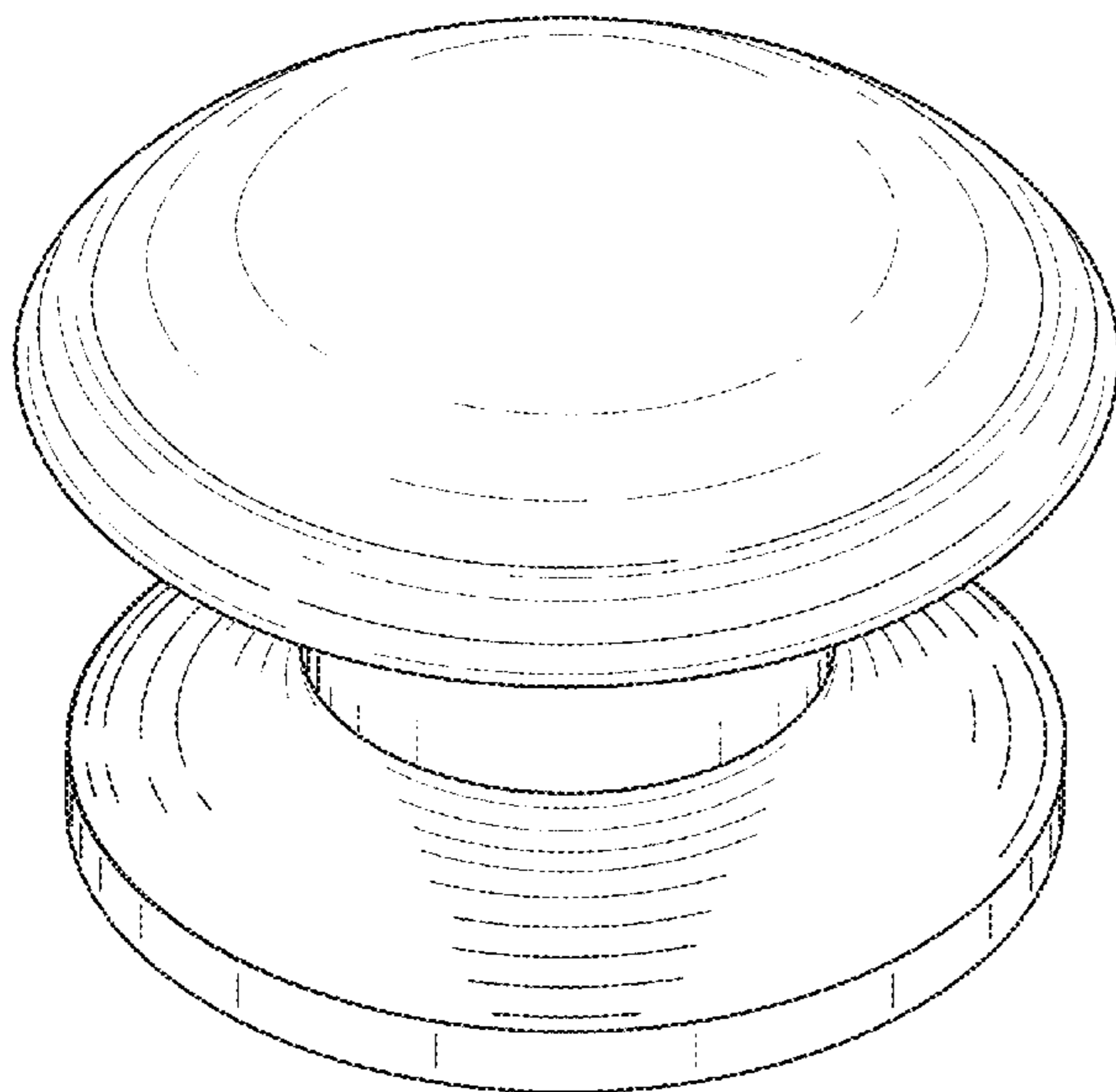
FIG. 1 is a perspective view of an interchangeable joystick, showing my new design;  
 FIG. 2 is a bottom plan view thereof;  
 FIG. 3 is a left-side elevational view thereof, the right-side elevational view, front elevational view, and rear elevational view all being identical thereto; and,  
 FIG. 4 is a top plan view thereof.  
 The broken lines seen in FIG. 2 immediately adjacent the structure line represent the bounds of the claimed design and forms no part of the claimed design.

(56) **References Cited**

**U.S. PATENT DOCUMENTS**

D51,333 S *	10/1917	Heizmann .....	D8/310
1,736,830 A *	11/1929	McKee et al. ....	404/15
2,304,345 A *	12/1942	Elliott .....	404/15

**1 Claim, 2 Drawing Sheets**



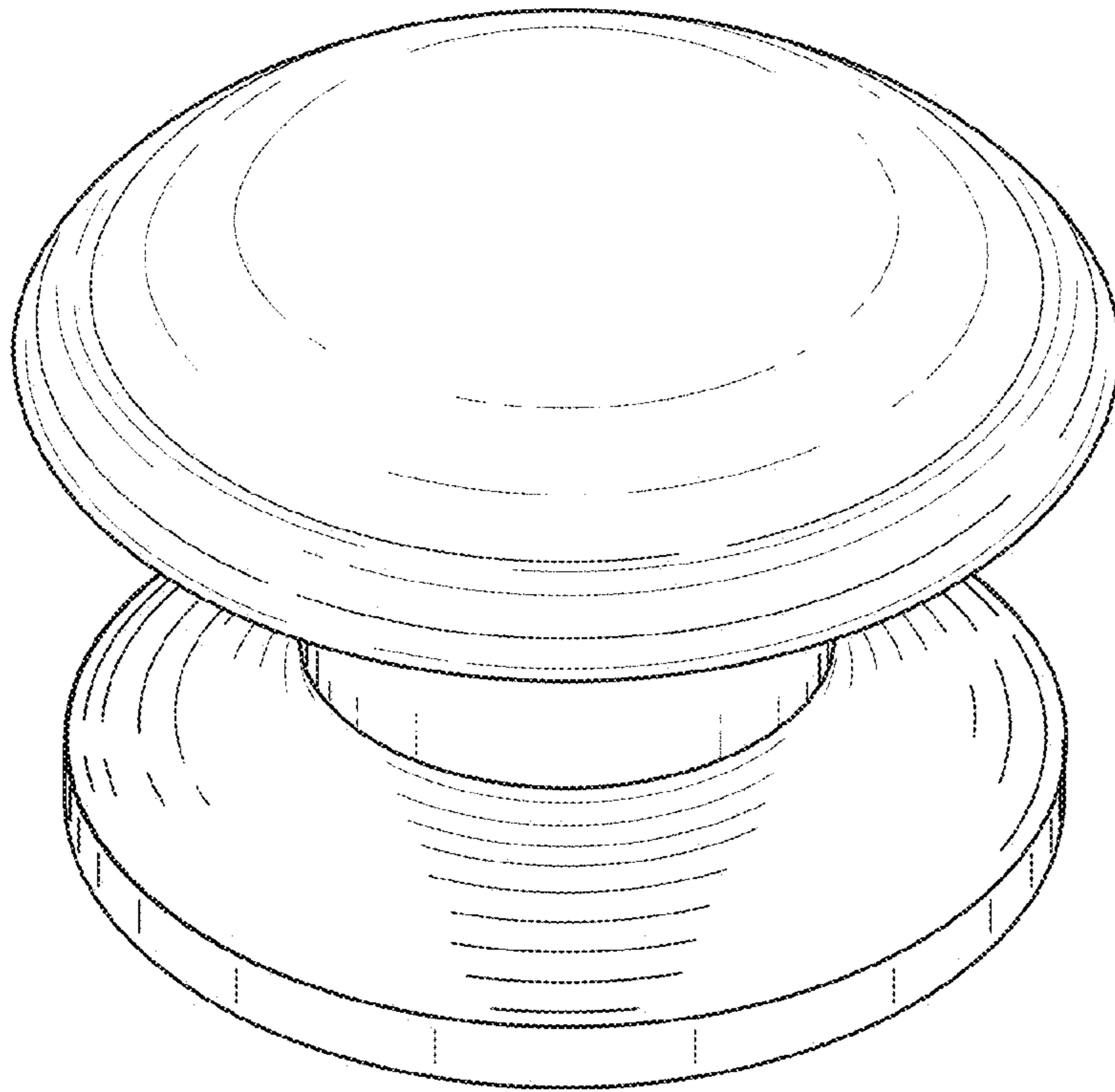


FIG. 1

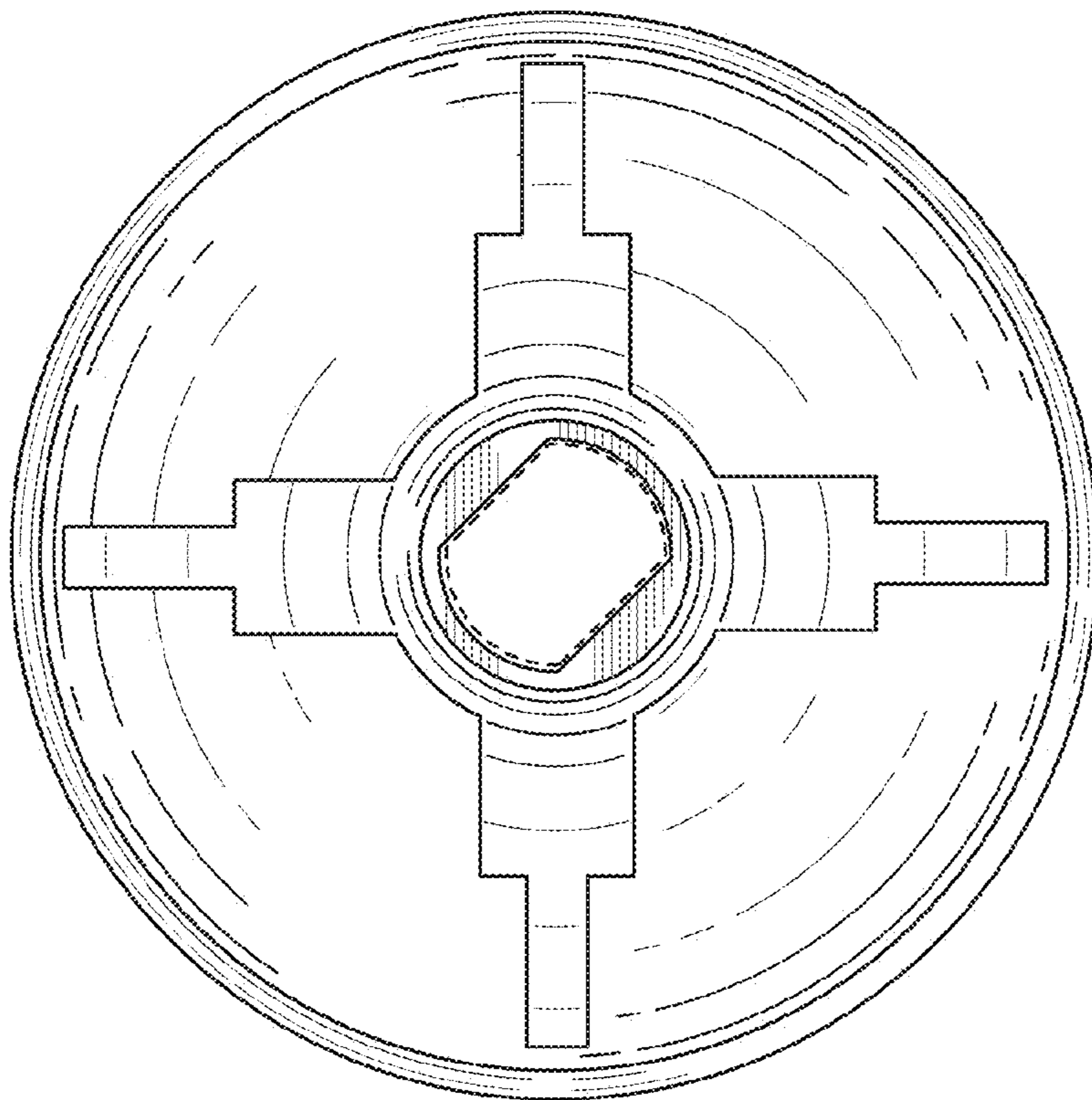


FIG. 2

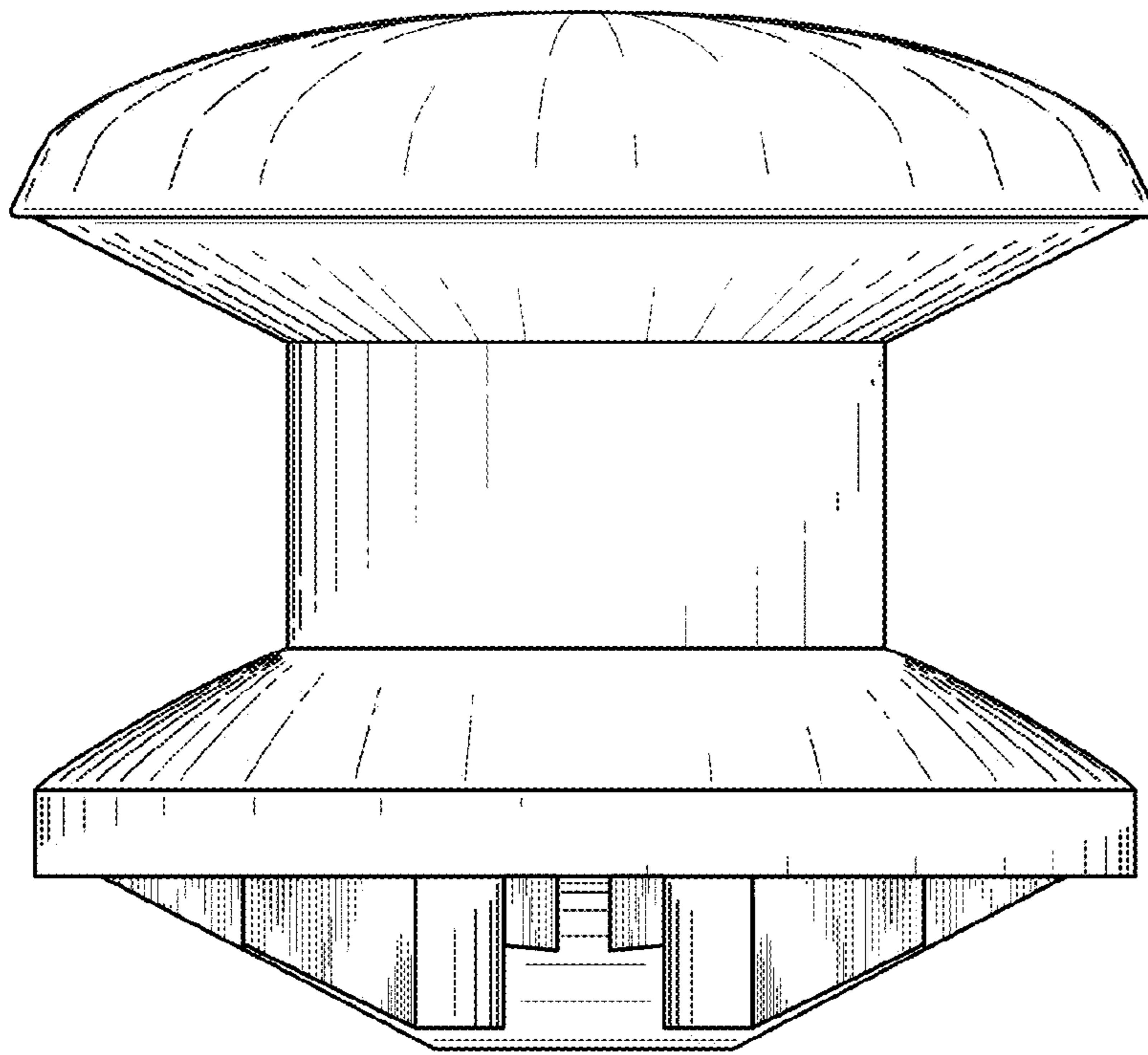


FIG. 3

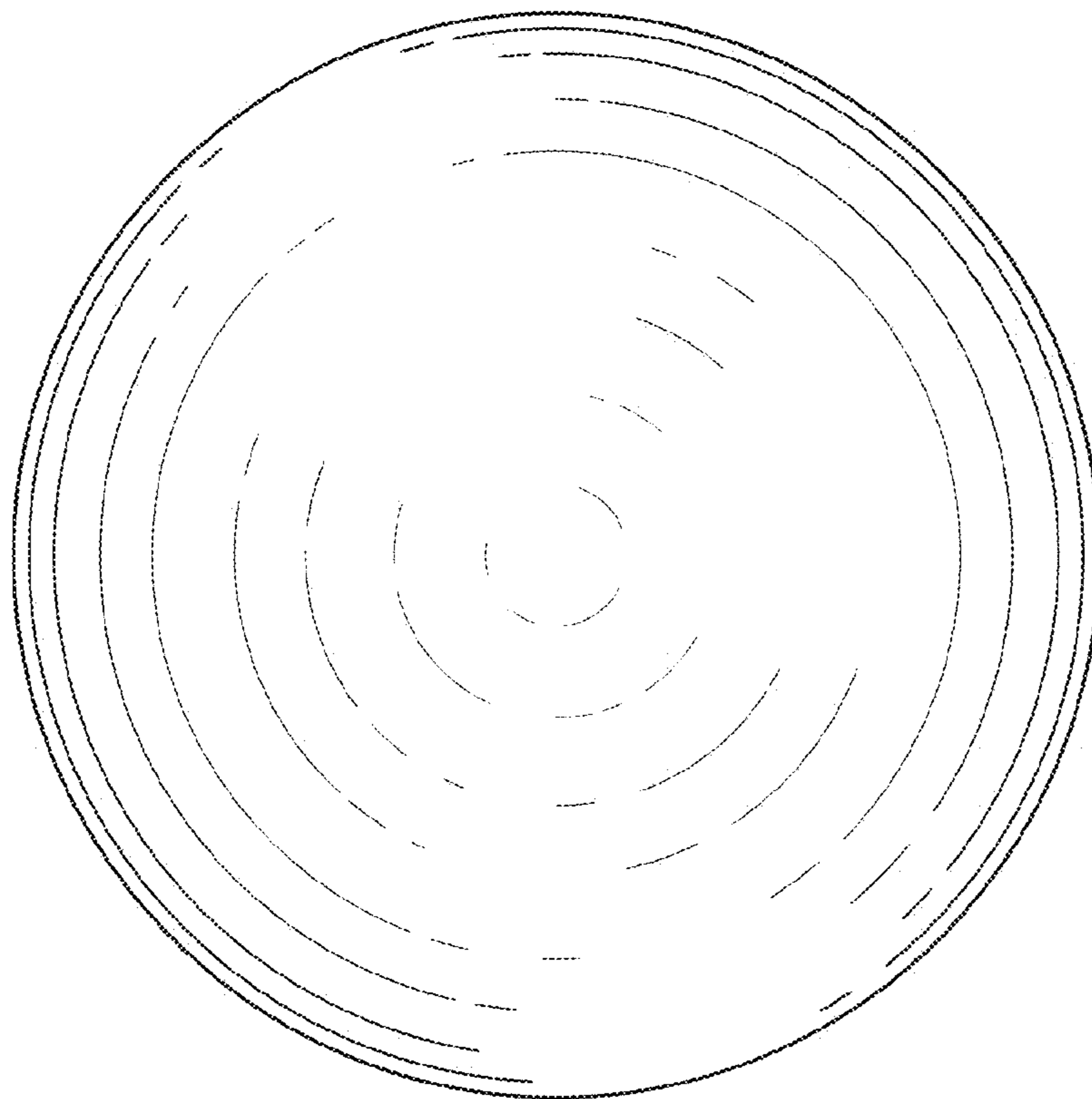


FIG. 4