



US00D693344S

(12) **United States Design Patent**
Ståhl

(10) **Patent No.:** **US D693,344 S**

(45) **Date of Patent:** **** Nov. 12, 2013**

(54) **MINI KEYBOARD**

(75) Inventor: **Jonas Ståhl, Åre (SE)**

(73) Assignee: **Penclic AB, Danderyd (SE)**

(**) Term: **14 Years**

(21) Appl. No.: **29/423,348**

(22) Filed: **May 31, 2012**

(51) **LOC (9) Cl.** **14-02**

(52) **U.S. Cl.**
USPC **D14/392**

(58) **Field of Classification Search**

USPC D14/391-399; D18/1, 2, 7; 178/17 A,
178/17 C; 200/5 A, 5 R, 6 A, 6 R; 235/145 A,
235/145 R; 341/22, 23; 345/160, 168, 169,
345/173; 400/484-489, 492

See application file for complete search history.

(56) **References Cited**

U.S. PATENT DOCUMENTS

D341,583 S	*	11/1993	Bevilacqua et al.	D14/392
D351,831 S	*	10/1994	Kuzuomoto et al.	D14/392
D355,902 S	*	2/1995	Iino	D14/392
D485,271 S	*	1/2004	Kamegi	D14/392
D485,559 S	*	1/2004	Hayamizu	D14/392

* cited by examiner

Primary Examiner — Freda S Nunn

(74) *Attorney, Agent, or Firm* — Harness, Dickey & Pierce,
P.L.C.

(57) **CLAIM**

The ornamental design for a mini keyboard, as shown and described.

DESCRIPTION

FIG. 1 is a perspective view of a first embodiment of the mini keyboard showing my new design;
FIG. 2 is a top view thereof;
FIG. 3 is a bottom view thereof
FIG. 4 is a right side view thereof;
FIG. 5 is a rear view thereof;
FIG. 6 is a front view thereof;
FIG. 7 is another bottom view thereof;
FIG. 8 is a perspective view of a second embodiment of the mini keyboard showing my new design;
FIG. 9 is a top view thereof;
FIG. 10 is a bottom view thereof;
FIG. 11 is a right view thereof;
FIG. 12 is a rear view thereof;
FIG. 13 is a front view thereof; and,
FIG. 14 is another bottom view thereof.

1 Claim, 14 Drawing Sheets

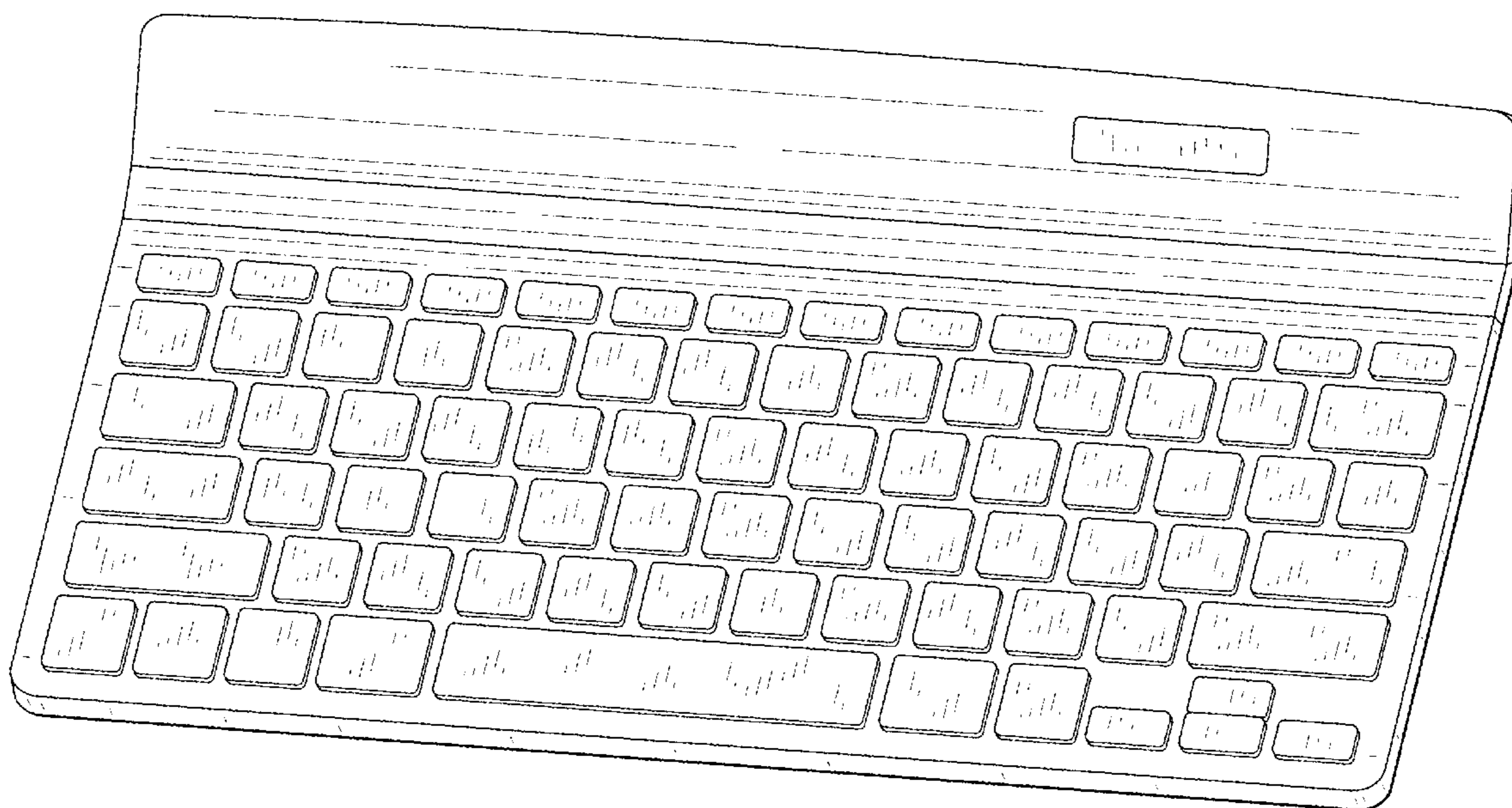


FIG. 1

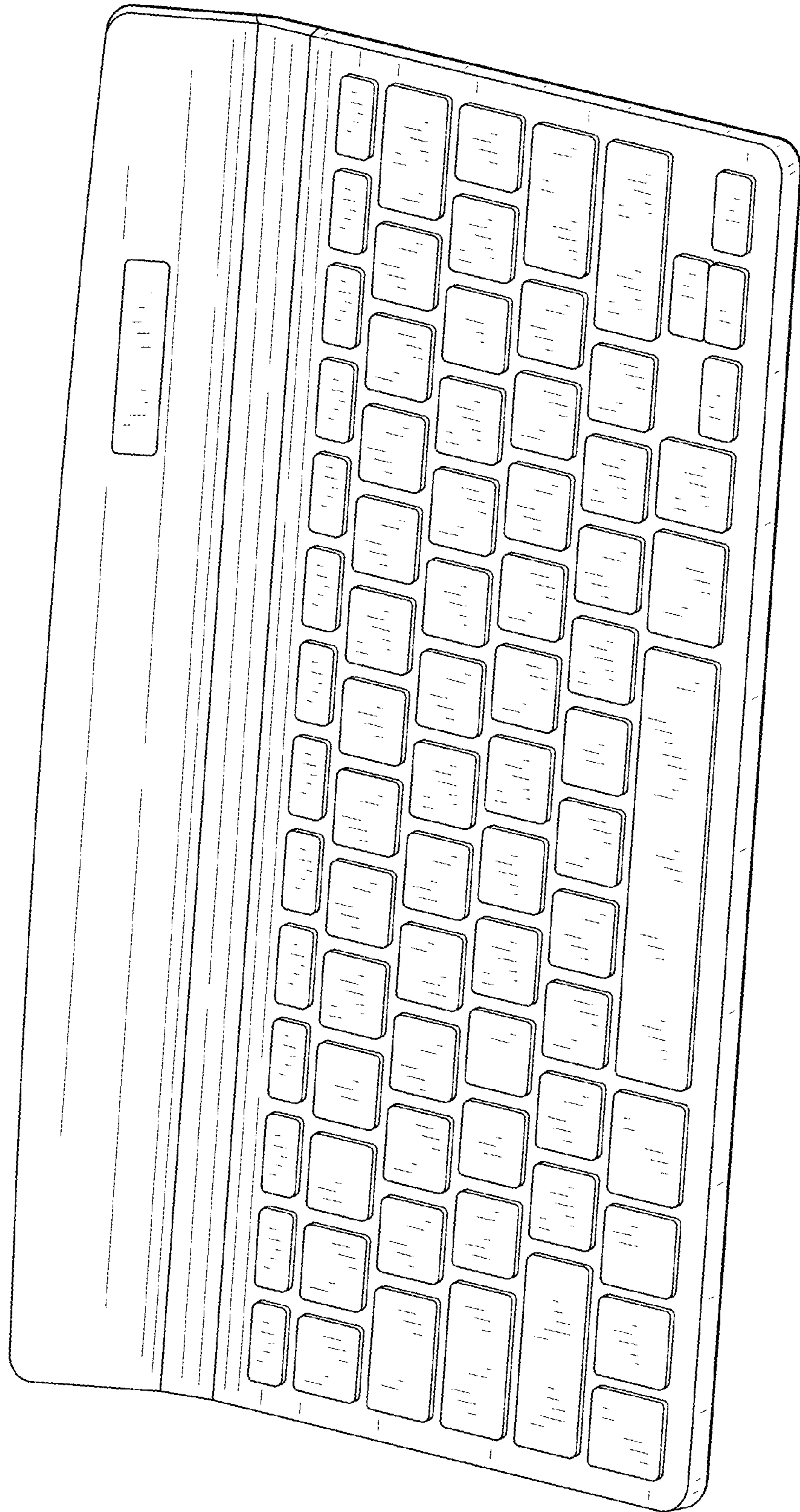


FIG. 2

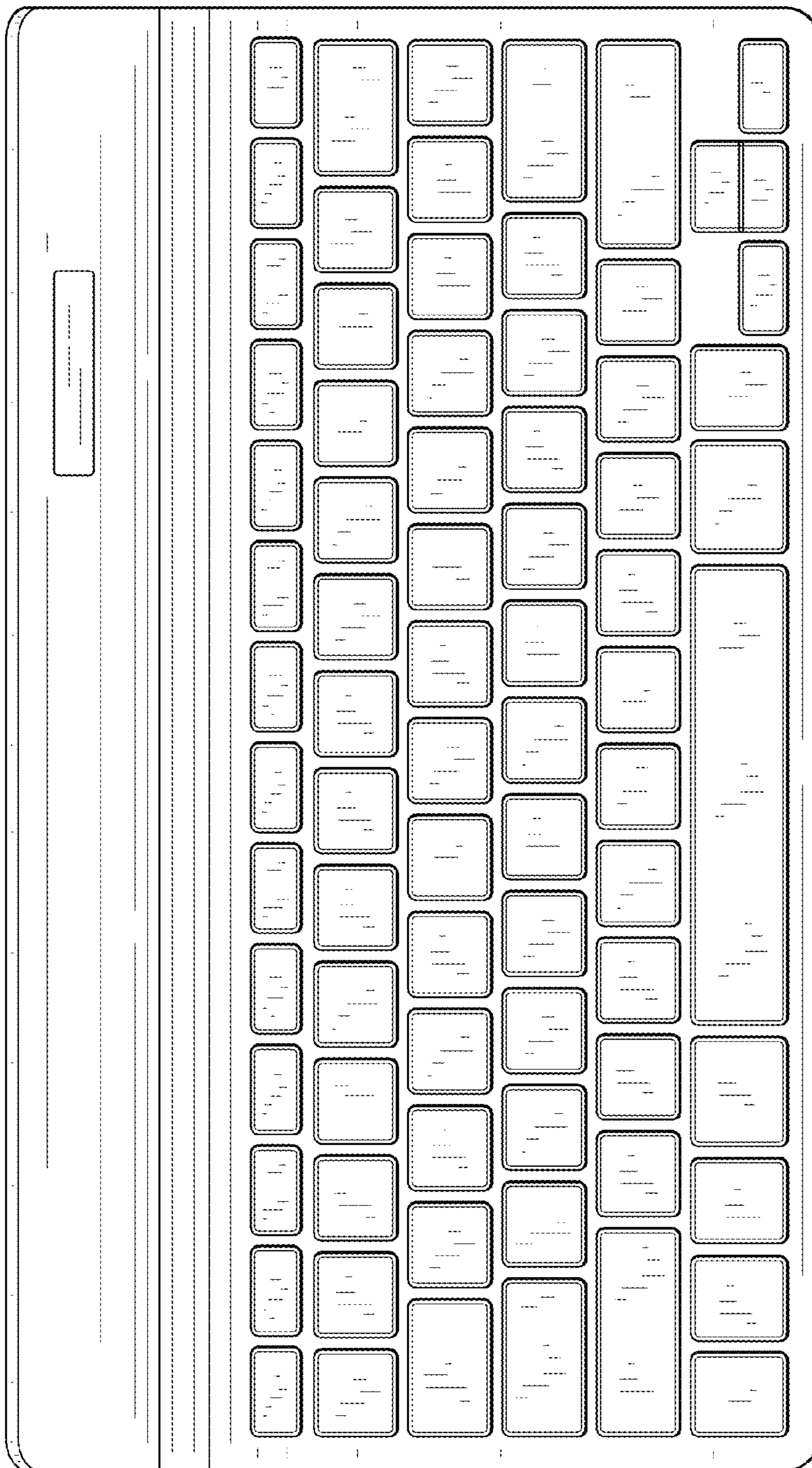


FIG. 3

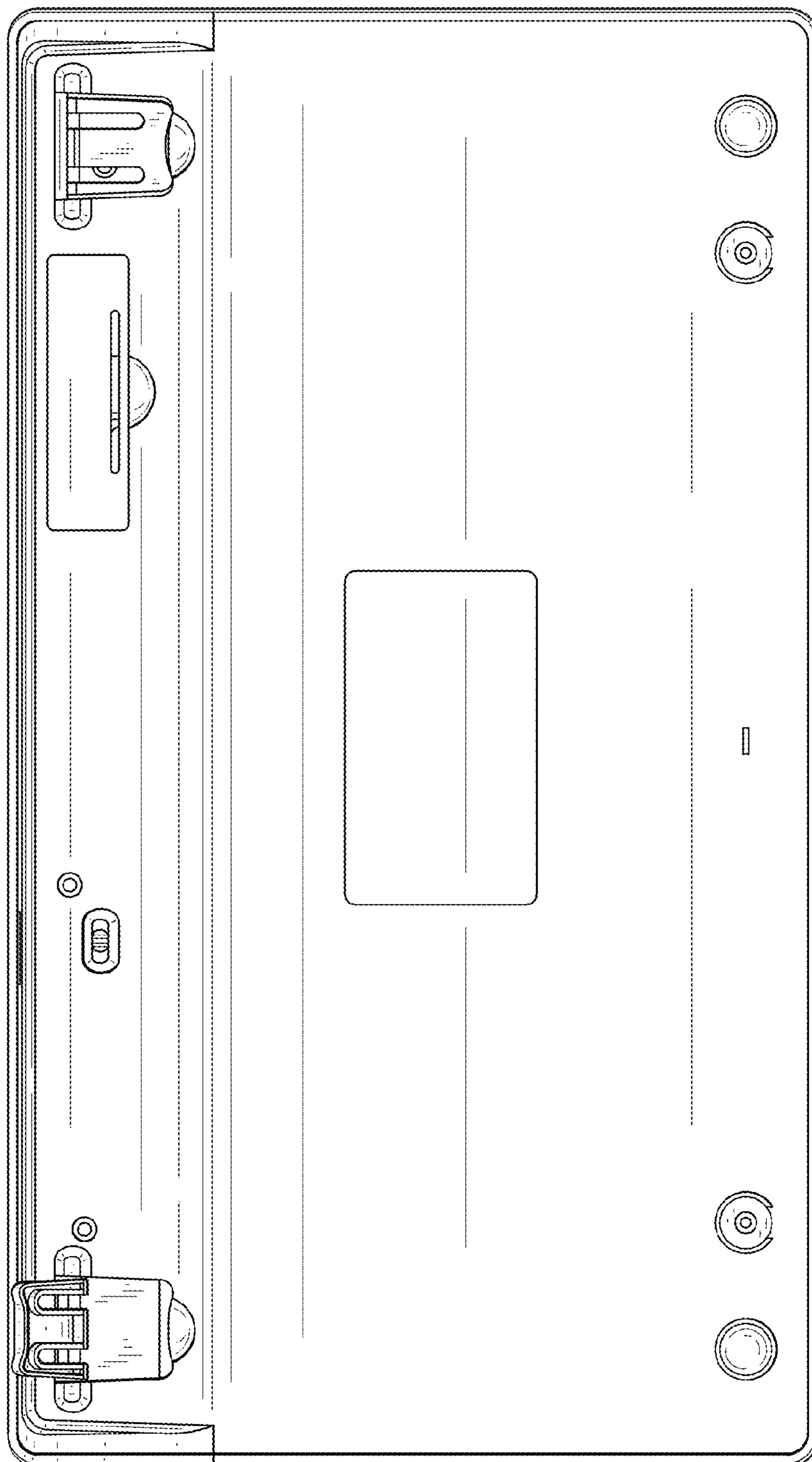


FIG. 4

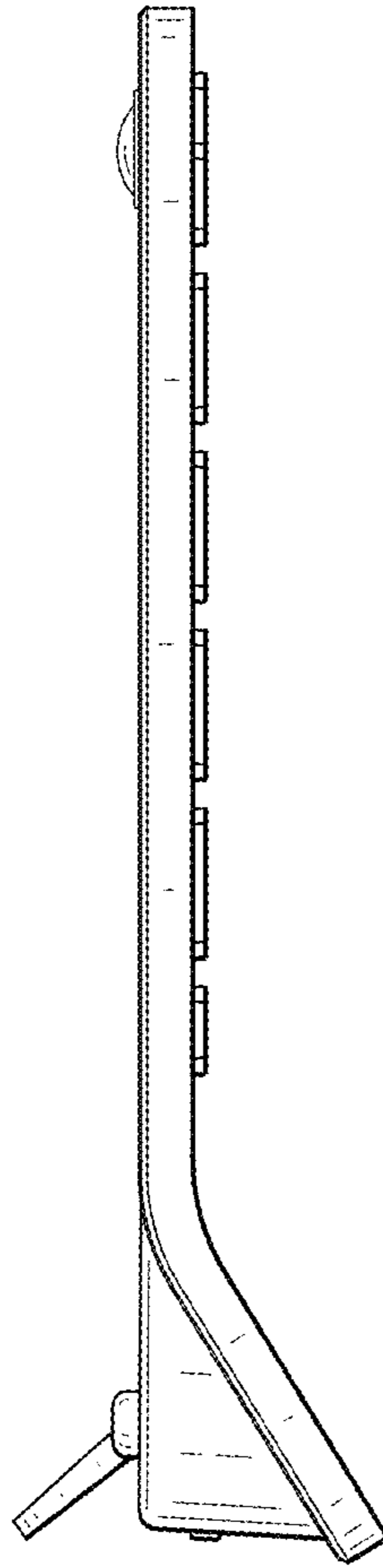


FIG. 5

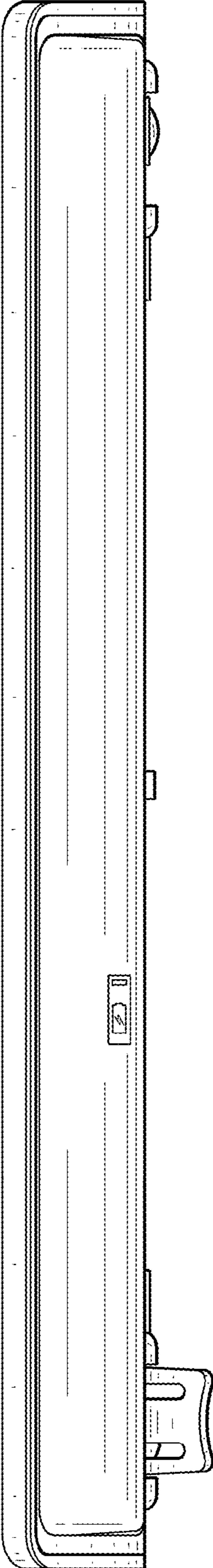


FIG. 6

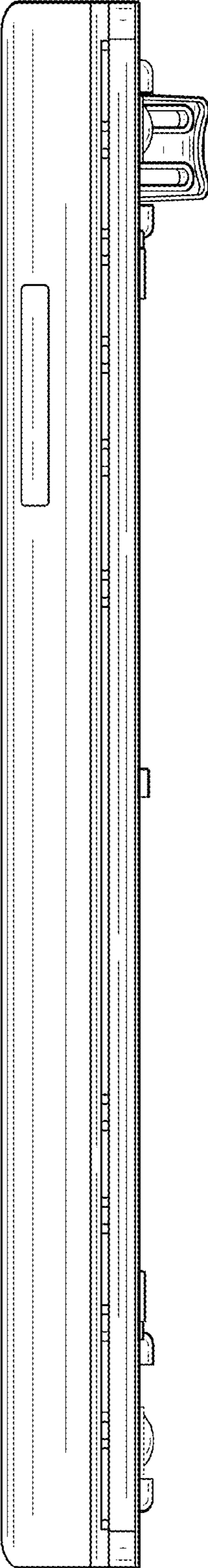


FIG. 7

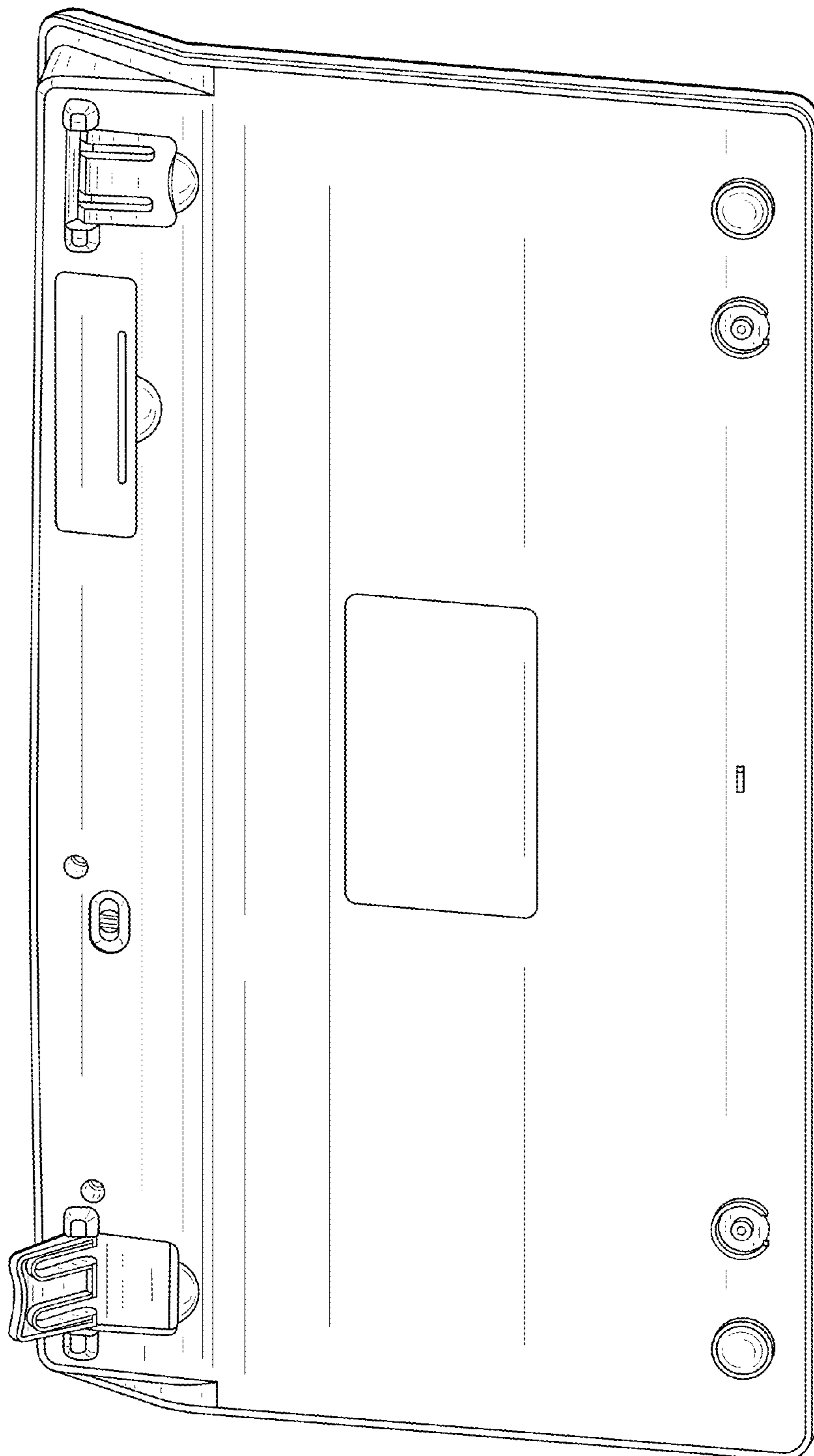


FIG. 8

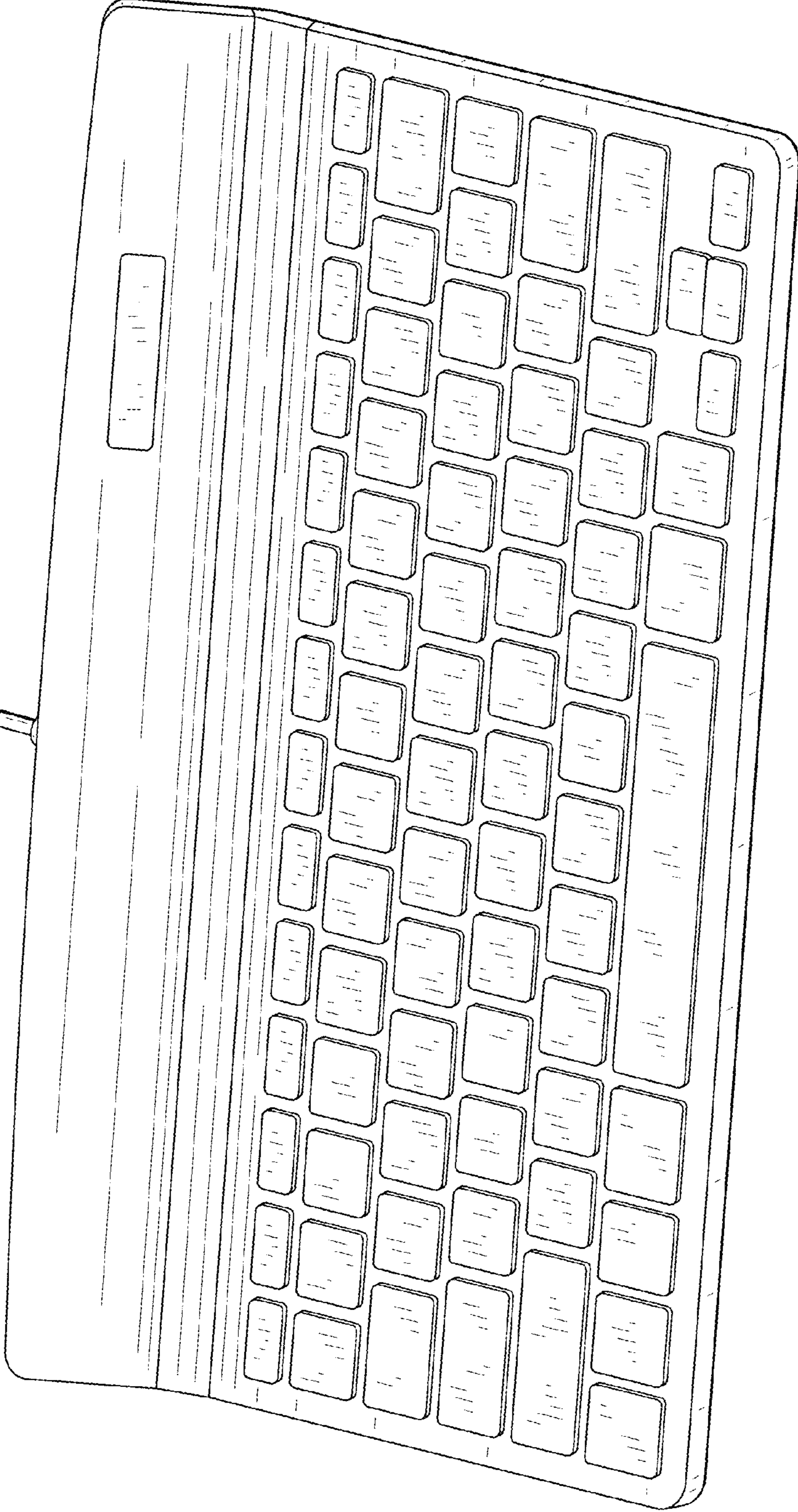


FIG. 9

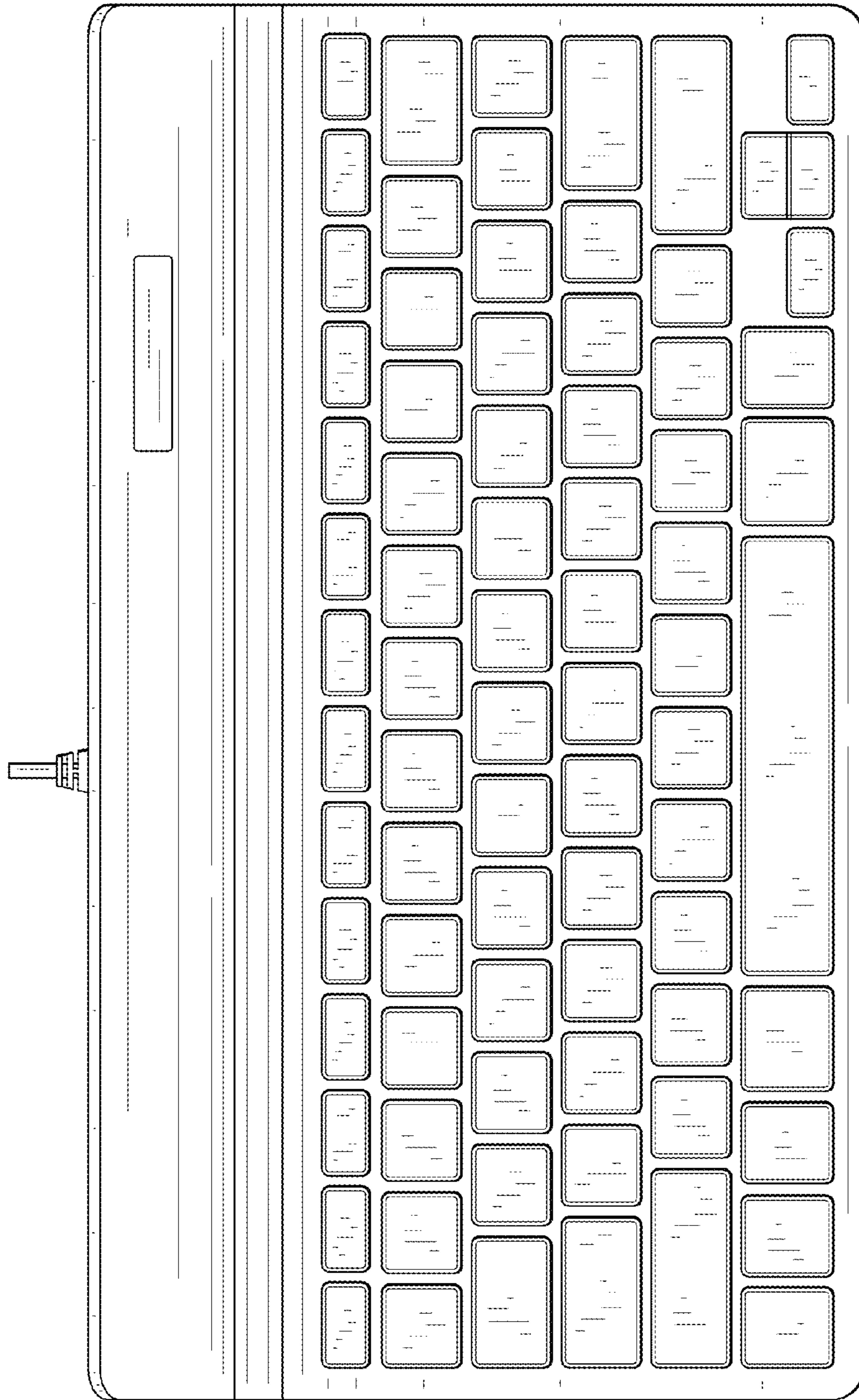


FIG. 10

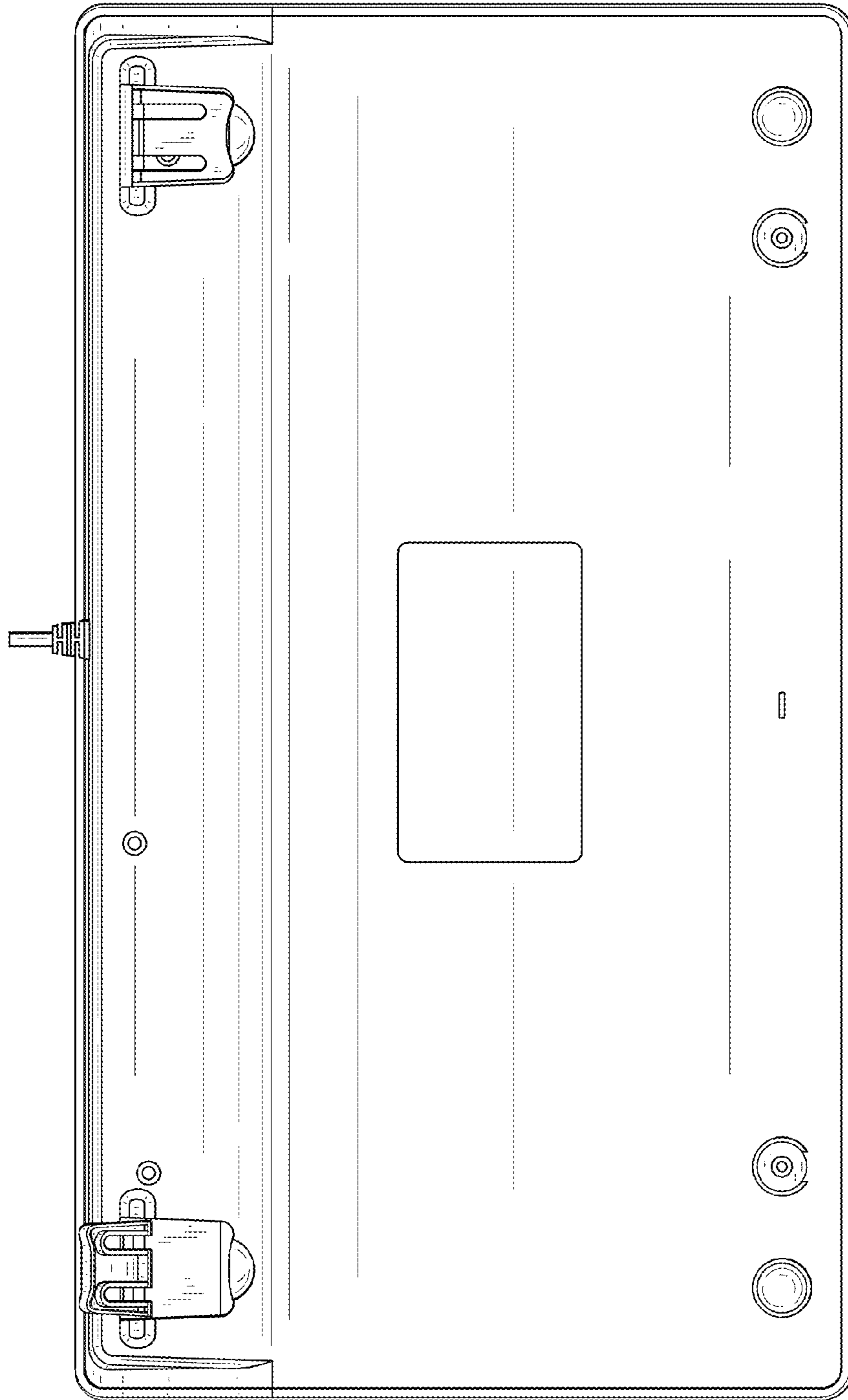


FIG. 11

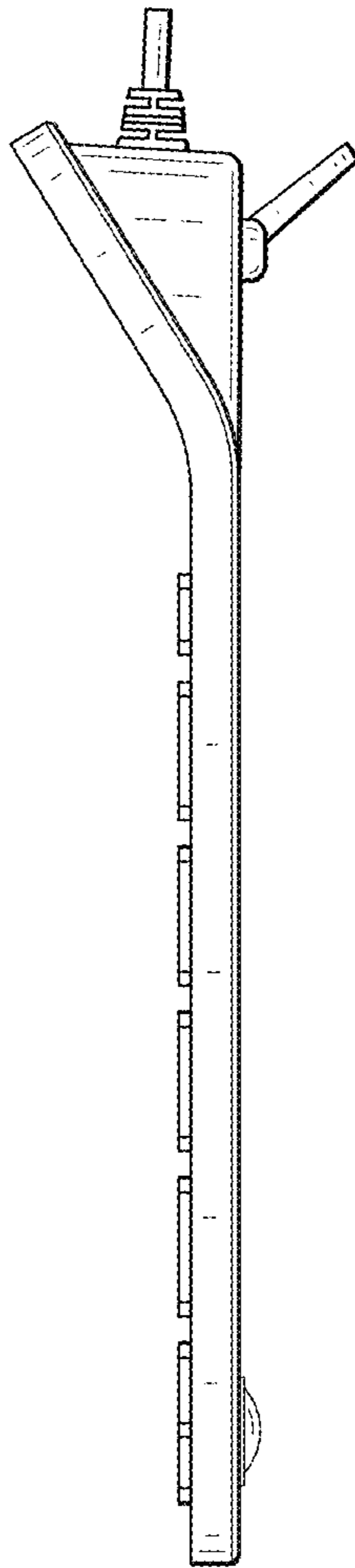


FIG. 12

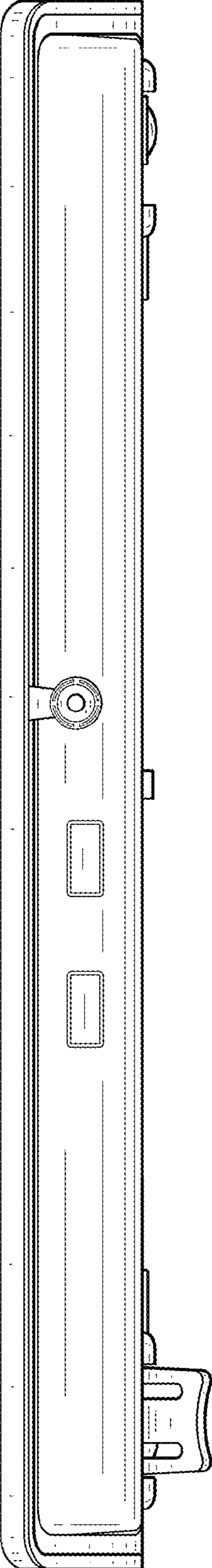


FIG. 13

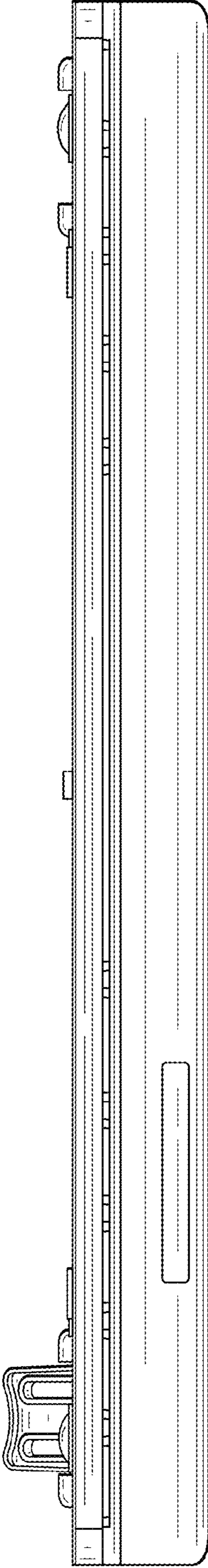
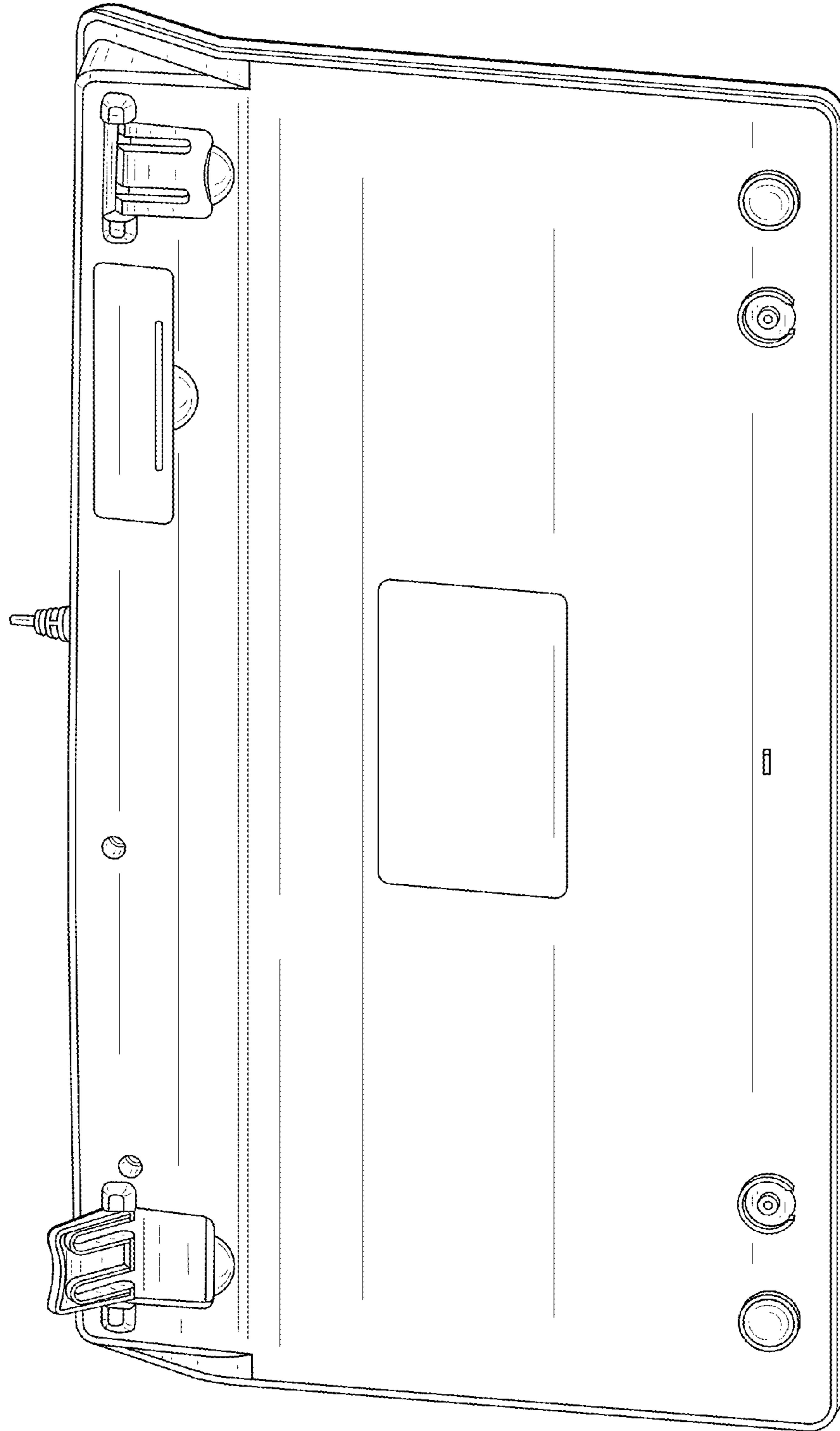


FIG. 14



UNITED STATES PATENT AND TRADEMARK OFFICE
CERTIFICATE OF CORRECTION

PATENT NO. : D693,344 S
APPLICATION NO. : 29/423348
DATED : November 12, 2013
INVENTOR(S) : Jonas Ståhl

Page 1 of 1

It is certified that error appears in the above-identified patent and that said Letters Patent is hereby corrected as shown below:

On the Title Page insert

item -- (30) **Foreign Application Priority Data**

December 19, 2011 (WO) DM/077346 --

Signed and Sealed this
Fourth Day of March, 2014



Michelle K. Lee
Deputy Director of the United States Patent and Trademark Office