

US00D693343S

(12) **United States Design Patent**  
**Haller**

(10) **Patent No.:** **US D693,343 S**

(45) **Date of Patent:** **\*\* Nov. 12, 2013**

(54) **TOUCH MONITOR**

(75) Inventor: **Jeffrey T. Haller**, Redwood City, CA  
(US)

(73) Assignee: **Elo Touch Solutions, Inc.**, Menlo Park,  
CA (US)

(\*\*) Term: **14 Years**

(21) Appl. No.: **29/430,983**

(22) Filed: **Aug. 31, 2012**

**Related U.S. Application Data**

(63) Continuation of application No. 29/406,460, filed on  
Nov. 15, 2011, now Pat. No. Des. 669,076.

(51) **LOC (9) Cl.** ..... **14-02**

(52) **U.S. Cl.**  
USPC ..... **D14/374**

(58) **Field of Classification Search**  
USPC ..... D14/371-376, 125-129, 317, 331, 336,  
D14/337, 341, 383-385; D6/308; D10/20;  
248/917-924, 176.1, 278.1; 345/104,  
345/156, 173, 174, 901-905; 348/180, 184,  
348/325, 739; 361/679.08, 679.21, 679.23;  
349/1, 2, 11

See application file for complete search history.

(56) **References Cited**

**U.S. PATENT DOCUMENTS**

D297,518 S 9/1988 Yuen  
D300,831 S 4/1989 Jenkins et al.  
D302,336 S 7/1989 Erickson  
D424,068 S 5/2000 Takemasa  
D490,420 S 5/2004 Solomon et al.  
6,781,819 B2 8/2004 Yang et al.  
D495,715 S 9/2004 Gildred  
D506,474 S 6/2005 Gildred  
D506,937 S 7/2005 Lee et al.  
D511,347 S 11/2005 Naruki

D513,617 S 1/2006 Tierney  
D524,809 S 7/2006 Alcouloumre et al.  
D534,890 S 1/2007 Kim  
D546,803 S 7/2007 Lee et al.  
D556,211 S 11/2007 Howard

(Continued)

**FOREIGN PATENT DOCUMENTS**

EM 0000569157-0005 9/2006

**OTHER PUBLICATIONS**

LG KE850 Prada [on line] [retrieved Oct. 18, 2012 via the  
WayBackMachine. Retrieved from the Internet: <URL: [http://web.archive.org/web/20070210030301/http://www.gsmarena.com/lg\\_ke850\\_prada1828.php](http://web.archive.org/web/20070210030301/http://www.gsmarena.com/lg_ke850_prada1828.php)>. 2 pages.

(Continued)

*Primary Examiner* — Freda S Nunn

(74) *Attorney, Agent, or Firm* — Alston & Bird LLP

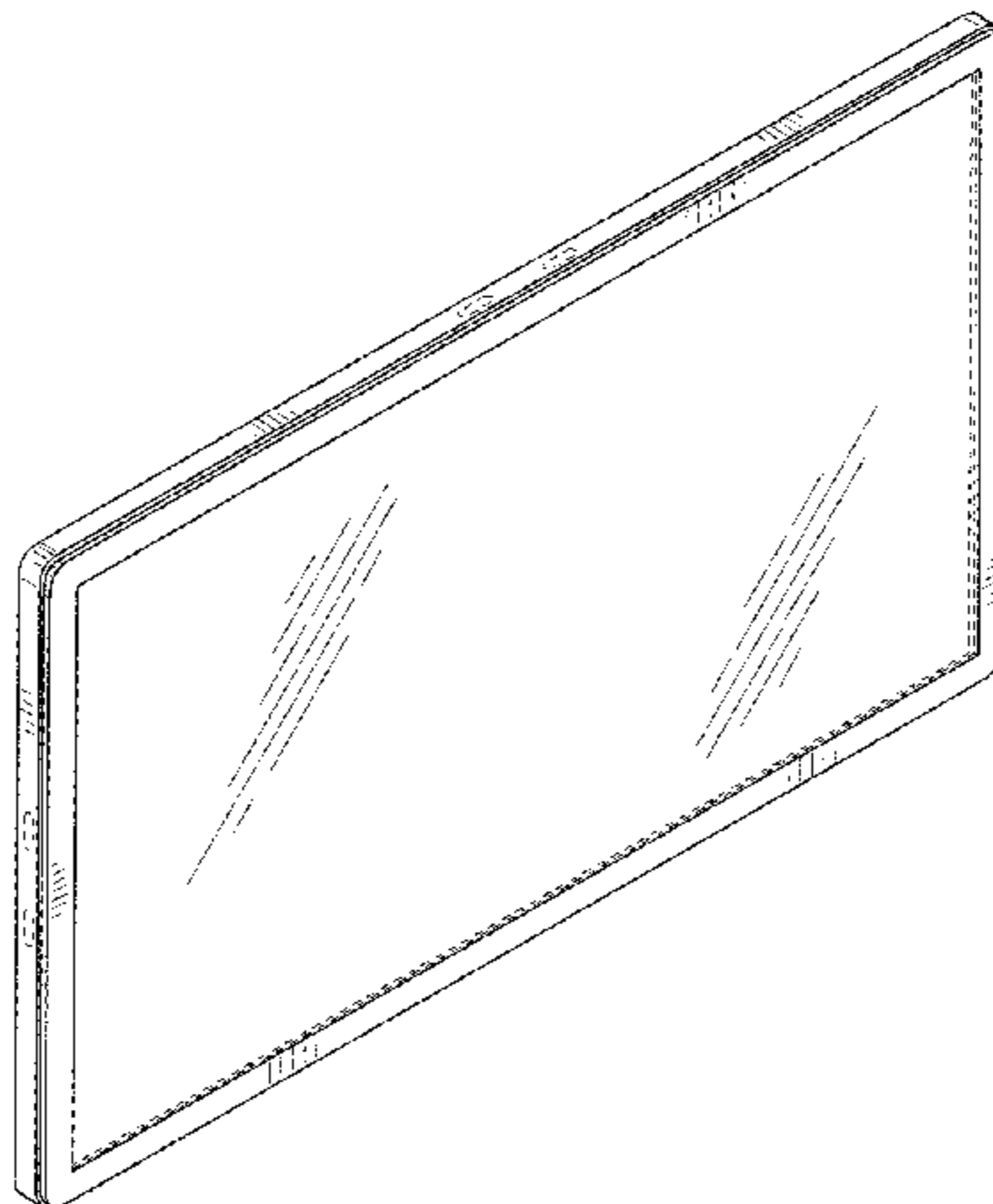
(57) **CLAIM**

I claim the ornamental design for a touch monitor, as shown  
and described.

**DESCRIPTION**

FIG. 1 is a front perspective view of a touch monitor showing  
my new design;  
FIG. 2 is a front view thereof;  
FIG. 3 is a top view thereof;  
FIG. 4 is a rear view thereof;  
FIG. 5 is a bottom view thereof;  
FIG. 6 is a left side view thereof;  
FIG. 7 is a right side view thereof; and,  
FIG. 8 is rear perspective view thereof.  
The broken lines are directed to environment and are for  
illustrative purposes only. The broken lines form no part of the  
claimed design.

**1 Claim, 3 Drawing Sheets**



(56)

References Cited

U.S. PATENT DOCUMENTS

D558,221 S 12/2007 Nagata et al.  
 D558,757 S 1/2008 Andre et al.  
 D558,758 S 1/2008 Andre et al.  
 D560,231 S 1/2008 Lee  
 D561,204 S 2/2008 Toh  
 D562,285 S 2/2008 Lim  
 7,330,741 B2 2/2008 Park et al.  
 D563,938 S 3/2008 Kim et al.  
 D564,990 S 3/2008 Ueno  
 D567,819 S 4/2008 Devericks et al.  
 D569,837 S 5/2008 Baik et al.  
 D574,389 S 8/2008 Armendariz et al.  
 D577,371 S 9/2008 Hu et al.  
 D579,898 S 11/2008 Lee et al.  
 D579,902 S 11/2008 Kim et al.  
 D580,387 S 11/2008 Andre et al.  
 D581,384 S 11/2008 Kim et al.  
 D581,922 S 12/2008 Andre et al.  
 D582,377 S 12/2008 Kim et al.  
 D582,887 S 12/2008 Poandl  
 D583,346 S 12/2008 Jung et al.  
 D584,272 S 1/2009 Chung et al.  
 D584,646 S 1/2009 Sanguinetti  
 D584,738 S 1/2009 Kim et al.  
 D591,252 S 4/2009 Kim et al.  
 D592,166 S 5/2009 Song  
 D592,628 S 5/2009 Kim et al.  
 D593,087 S 5/2009 Andre et al.  
 D593,578 S 6/2009 Ball et al.  
 D597,101 S 7/2009 Chaudhri et al.  
 D598,414 S 8/2009 Joung et al.  
 D598,887 S 8/2009 Xiao et al.  
 D599,342 S 9/2009 Andre et al.  
 D600,241 S 9/2009 Andre et al.  
 D601,530 S 10/2009 Park et al.  
 D601,987 S 10/2009 Park et al.  
 D602,014 S 10/2009 Andre et al.  
 D602,015 S 10/2009 Andre et al.  
 D602,016 S 10/2009 Andre et al.  
 D602,017 S 10/2009 Andre et al.  
 D602,486 S 10/2009 Andre et al.  
 D603,867 S 11/2009 La et al.  
 D604,297 S 11/2009 Andre et al.  
 D604,305 S 11/2009 Anzures et al.  
 D606,129 S 12/2009 Ben-Moshe  
 D607,464 S 1/2010 Tang et al.  
 D607,854 S 1/2010 Sagawa

D611,918 S 3/2010 Shih et al.  
 D613,735 S 4/2010 Andre et al.  
 D613,736 S 4/2010 Andre et al.  
 D615,083 S 5/2010 Andre et al.  
 D615,949 S 5/2010 Kim  
 D617,334 S 6/2010 Chaudhri  
 D617,339 S 6/2010 Ording et al.  
 D618,189 S 6/2010 Honda  
 D618,204 S 6/2010 Andre et al.  
 D623,195 S 9/2010 La et al.  
 D624,519 S 9/2010 Shen et al.  
 D625,307 S 10/2010 Cheng  
 D627,776 S 11/2010 Seong  
 D627,778 S 11/2010 Akana et al.  
 D627,789 S 11/2010 Jewitt et al.  
 D627,790 S 11/2010 Chaudhri  
 D636,392 S 4/2011 Akana et al.  
 D641,018 S 7/2011 Lee et al.  
 D642,588 S 8/2011 Anzures  
 D644,239 S 8/2011 Anzures et al.  
 D660,868 S 5/2012 van Os  
 D668,666 S 10/2012 Anzures et al.  
 D669,076 S \* 10/2012 Haller ..... D14/374  
 2006/0281501 A1 12/2006 Zuo et al.  
 2009/0064055 A1 3/2009 Chaudhri et al.  
 2009/0174996 A1 7/2009 Park  
 2009/0295737 A1 12/2009 Goldsmith et al.  
 2009/0315690 A1 12/2009 Hwang et al.  
 2010/0060563 A1 3/2010 Hayton et al.

OTHER PUBLICATIONS

“Meizu’s M8? Apple lawyers, start your engines,” dated Jan. 29, 2007, [online] [retrieved Oct. 18, 2012]. Retrieved from the Internet: <URL: <http://www.engadget.com/2007/01/29/meizus-m8-apple-lawyers-sart-you-engines/>>.3 pages.  
 U.S. Appl. No. 29/354,107, Chaudhri et al., filed Jan. 19, 2010, entitled “Graphical User Interfaces for a Display Screen or Portion Thereof.”  
 U.S. Appl. No. 29/362,727, Chaudhri et al., filed May 28, 2010, entitled “Graphical User Interface for a Display Screen or Portion thereof.”  
 U.S. Appl. No. 29/363,777, Anzures et al., filed Jun. 14, 2010, entitled “Graphical User Interface for a Display Screen or Portion Thereof.”  
 U.S. Appl. No. 29/363,778, Chaudhri et al., filed Jun. 14, 2010, entitled “Graphical User for a Display Screen or Portion Thereof.”

\* cited by examiner

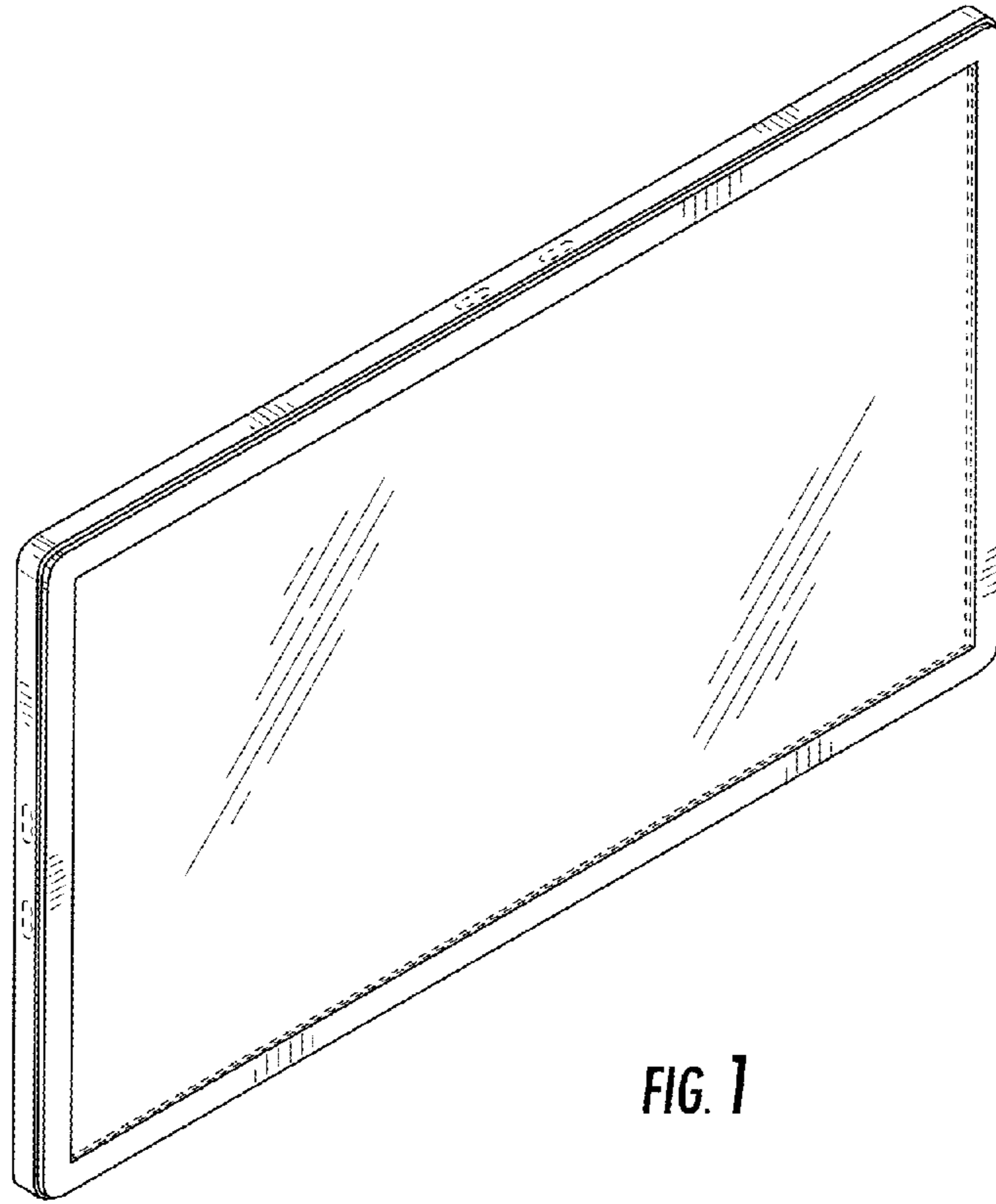


FIG. 1

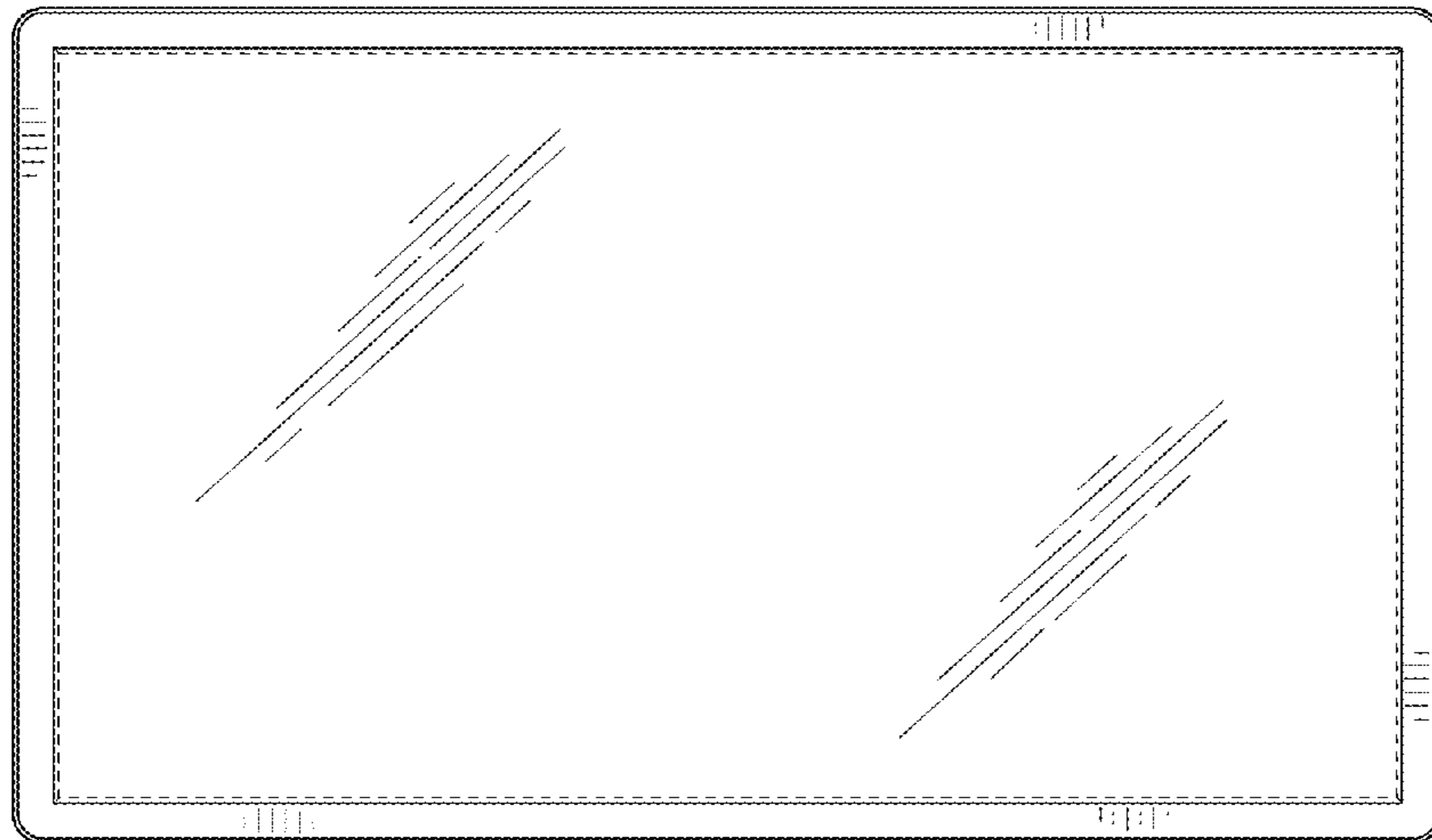


FIG. 2

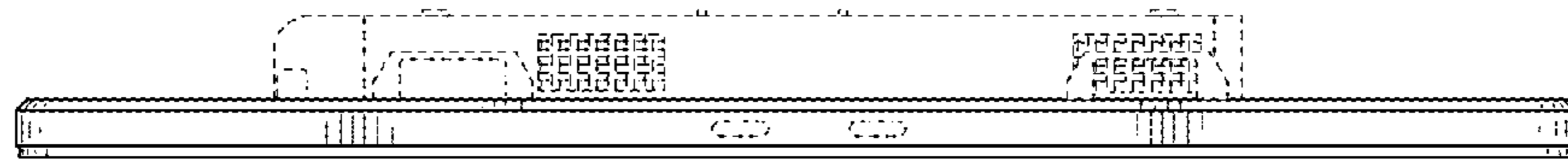


FIG. 3

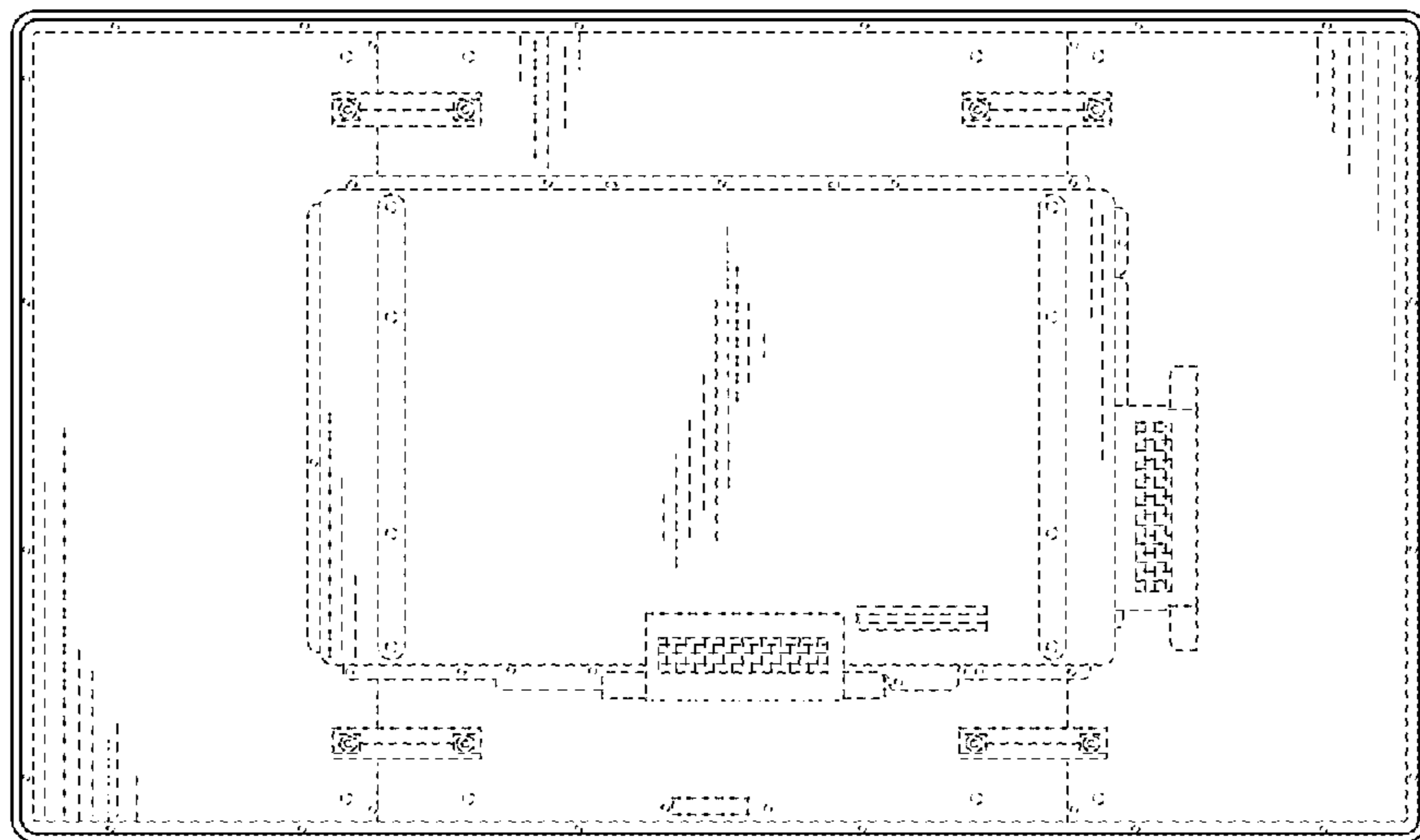


FIG. 4

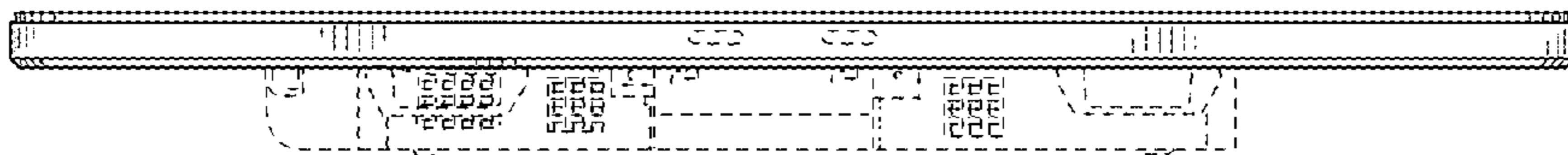


FIG. 5



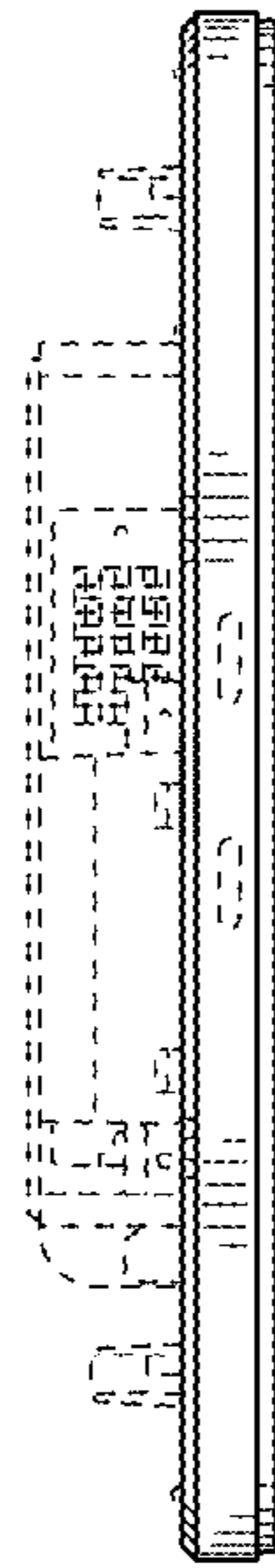


FIG. 6

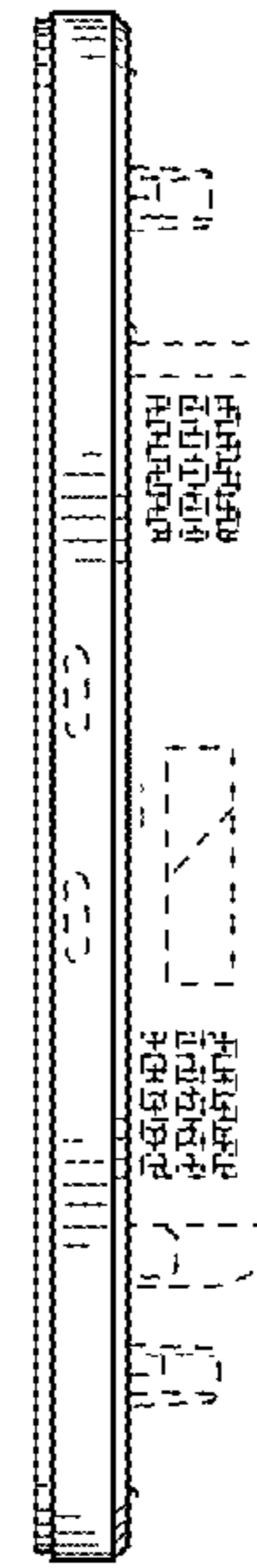


FIG. 7

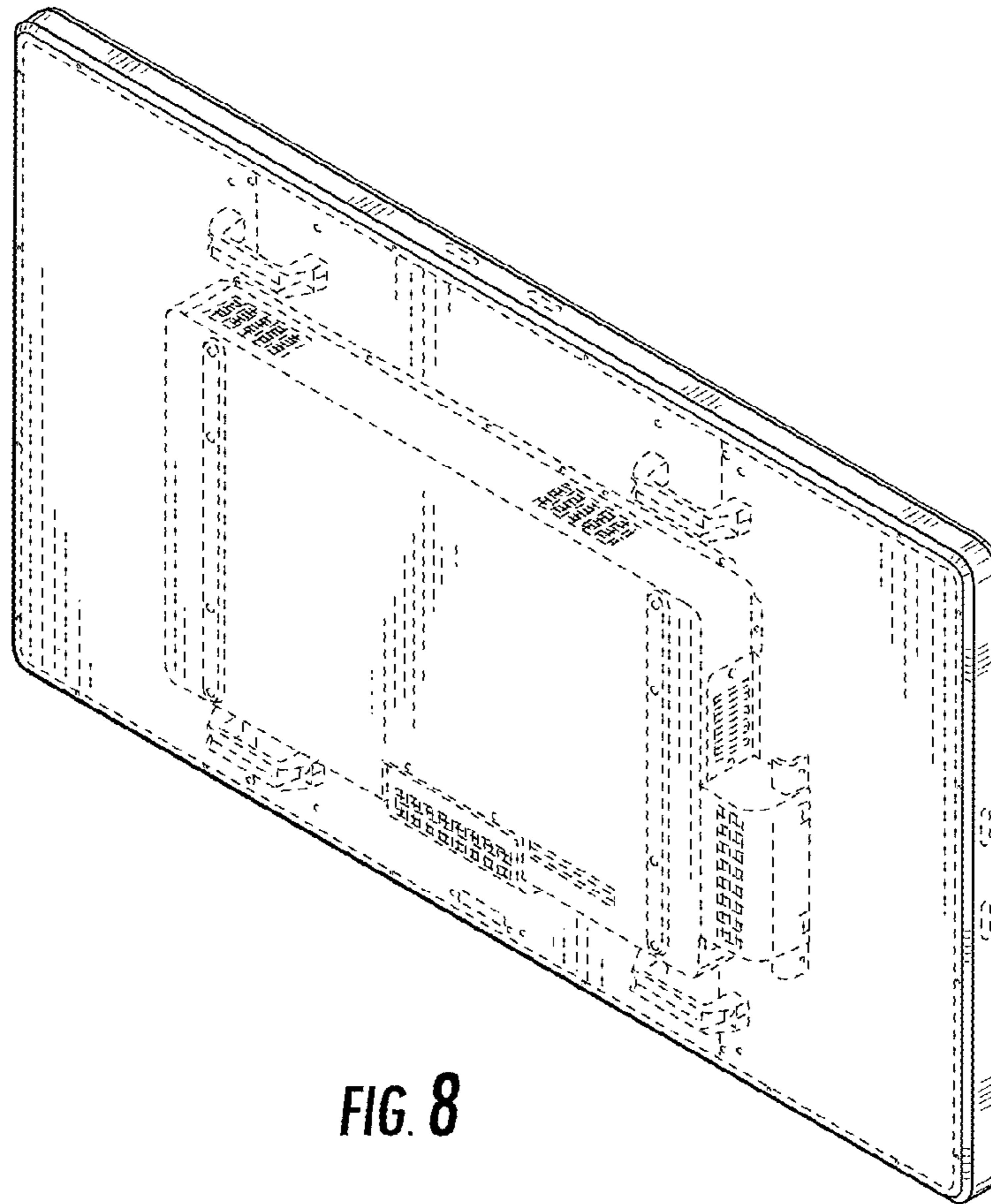


FIG. 8