



US00D693342S

(12) **United States Design Patent**
Sip et al.

(10) **Patent No.:** **US D693,342 S**

(45) **Date of Patent:** **** Nov. 12, 2013**

(54) **EXTERNAL ELECTRONIC DEVICE**

(75) Inventors: **Kim Yeung Sip**, Taipei Hsien (TW);
Wei-Yuan Cheng, Taipei Hsien (TW);
Hao-Sheng Lo, Taipei Hsien (TW)

(73) Assignee: **Acer Incorporated**, Taipei Hsien (TW)

(**) Term: **14 Years**

(21) Appl. No.: **29/406,146**

(22) Filed: **Nov. 10, 2011**

(30) **Foreign Application Priority Data**

Sep. 7, 2011 (TW) 100304695

(51) **LOC (9) Cl.** **14-02**

(52) **U.S. Cl.**
USPC **D14/358**

(58) **Field of Classification Search**
USPC D14/300–302, 314, 348–370, 383–385,
D14/435, 496, 125, 135, 155, 240–242,
D14/299; D3/273; D9/432; D10/65, 75, 78;
D13/103, 119, 162, 187, 199;
D21/500; 361/679.31–679.45;
312/223.2; 710/120

See application file for complete search history.

(56) **References Cited**

U.S. PATENT DOCUMENTS

2,783,416 A * 2/1957 Butler 361/679.31
2,910,672 A * 10/1959 La Patka 365/55
3,162,973 A * 12/1964 Christiansen 446/128

D214,452 S * 6/1969 Christiansen D14/225
D342,910 S * 1/1994 Buvala D10/78
D348,254 S * 6/1994 Ratzlaff D14/348
D348,675 S * 7/1994 Matheny D14/247
D349,103 S * 7/1994 Ratzlaff D14/348
D356,567 S * 3/1995 Jones D13/162
D358,153 S * 5/1995 Jackson D14/245
D428,410 S * 7/2000 Lin et al. D14/301
D428,852 S * 8/2000 Klutt D13/119
6,157,535 A * 12/2000 Lin et al. 361/679.23
D549,210 S * 8/2007 Neu et al. D14/155
D579,929 S * 11/2008 Bodley et al. D14/240
D590,827 S * 4/2009 Song D14/356
D595,280 S * 6/2009 Chiba et al. D14/240
D683,634 S * 6/2013 Hayakawa et al. D10/46
2013/0102164 A1 * 4/2013 Sip 439/38

* cited by examiner

Primary Examiner — Karen E Kearney

(74) *Attorney, Agent, or Firm* — McClure, Qualey & Rodack, LLP

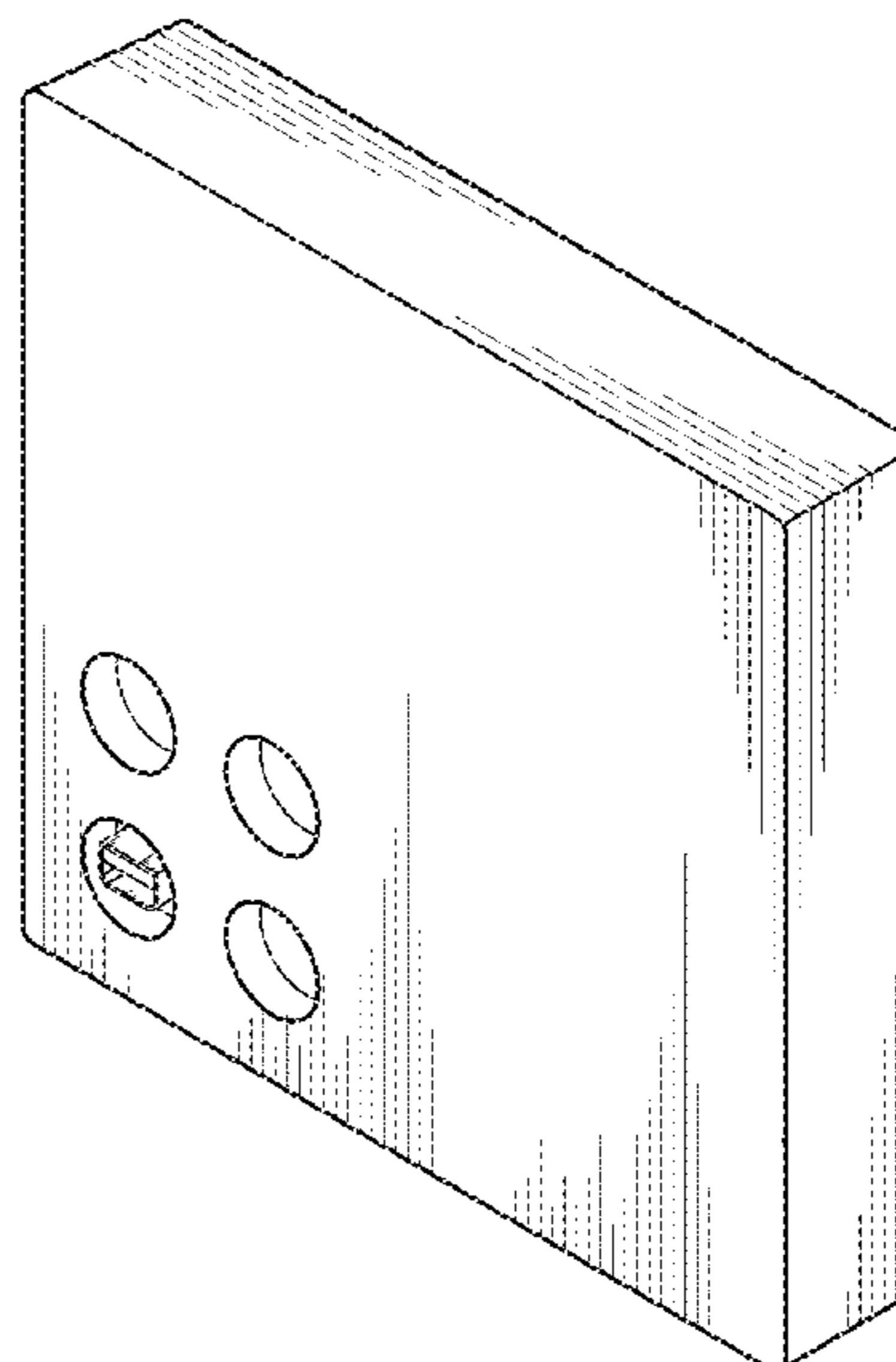
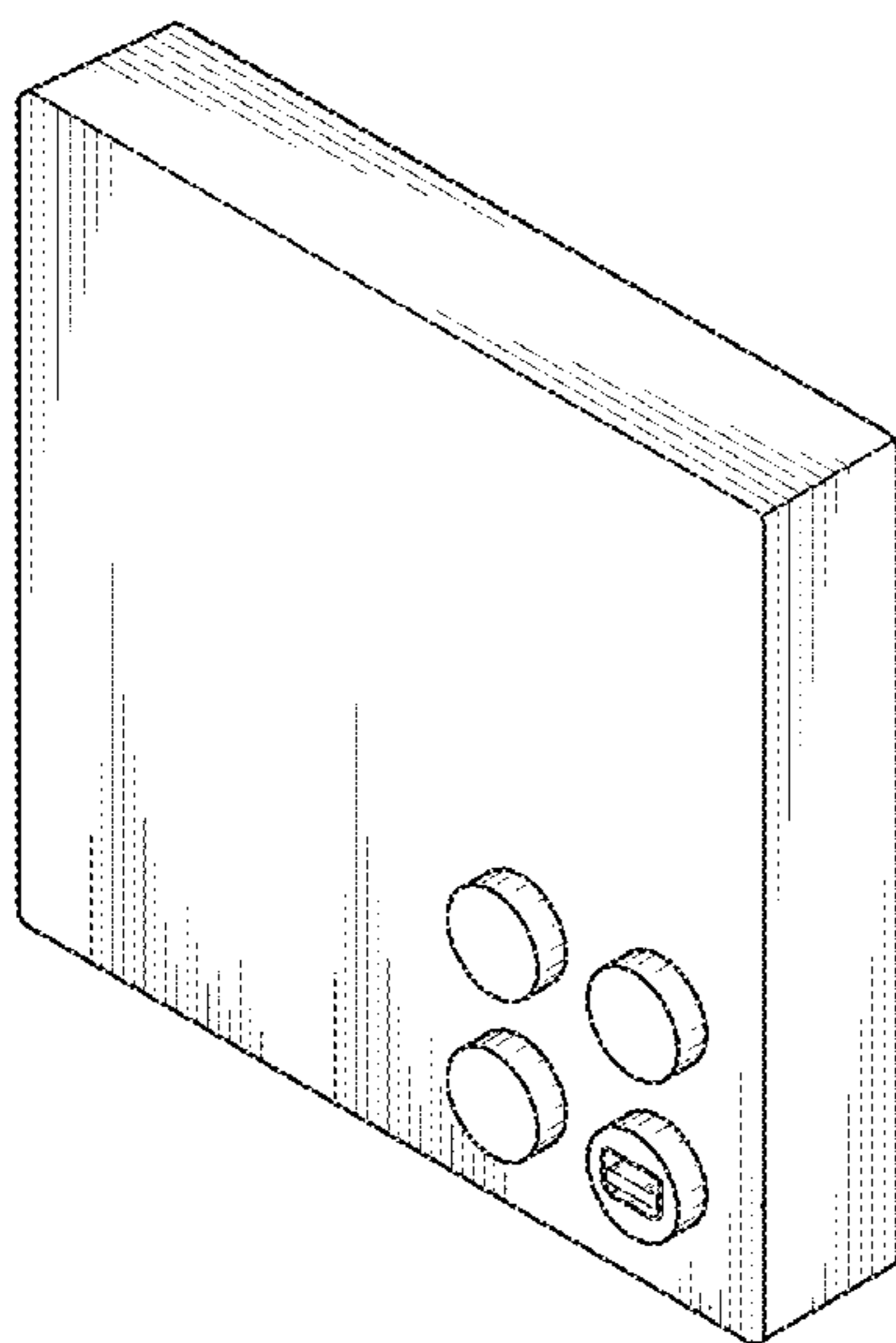
(57) **CLAIM**

The ornamental design for external electronic device, as shown and described.

DESCRIPTION

FIG. 1 is a front perspective view thereof;
FIG. 2 is a front view thereof;
FIG. 3 is a rear view thereof;
FIG. 4 is a left side view thereof;
FIG. 5 is a right side view thereof;
FIG. 6 is a top plan view thereof;
FIG. 7 is a bottom plan view thereof; and,
FIG. 8 is a rear perspective view thereof.

1 Claim, 7 Drawing Sheets



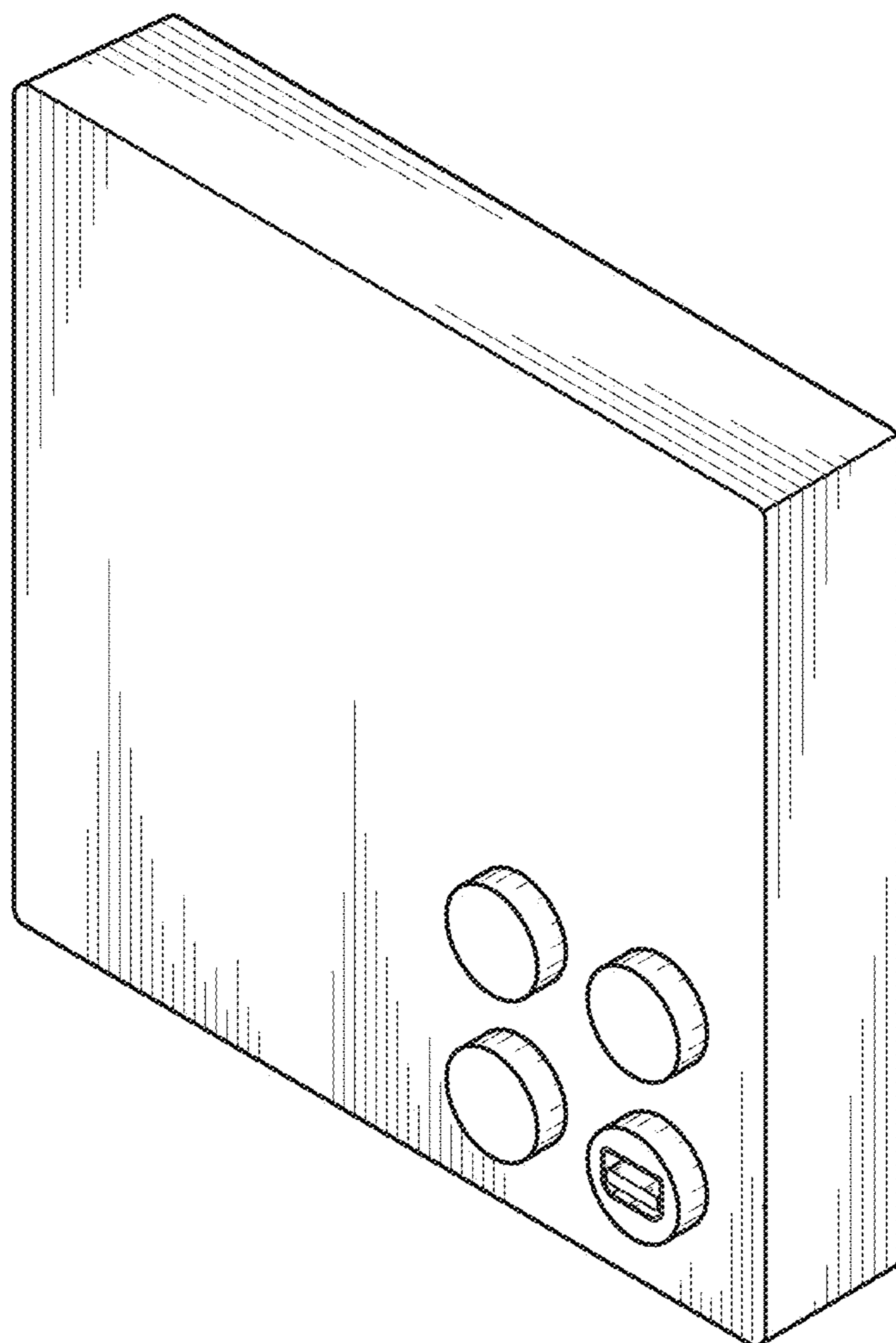


FIG. 1

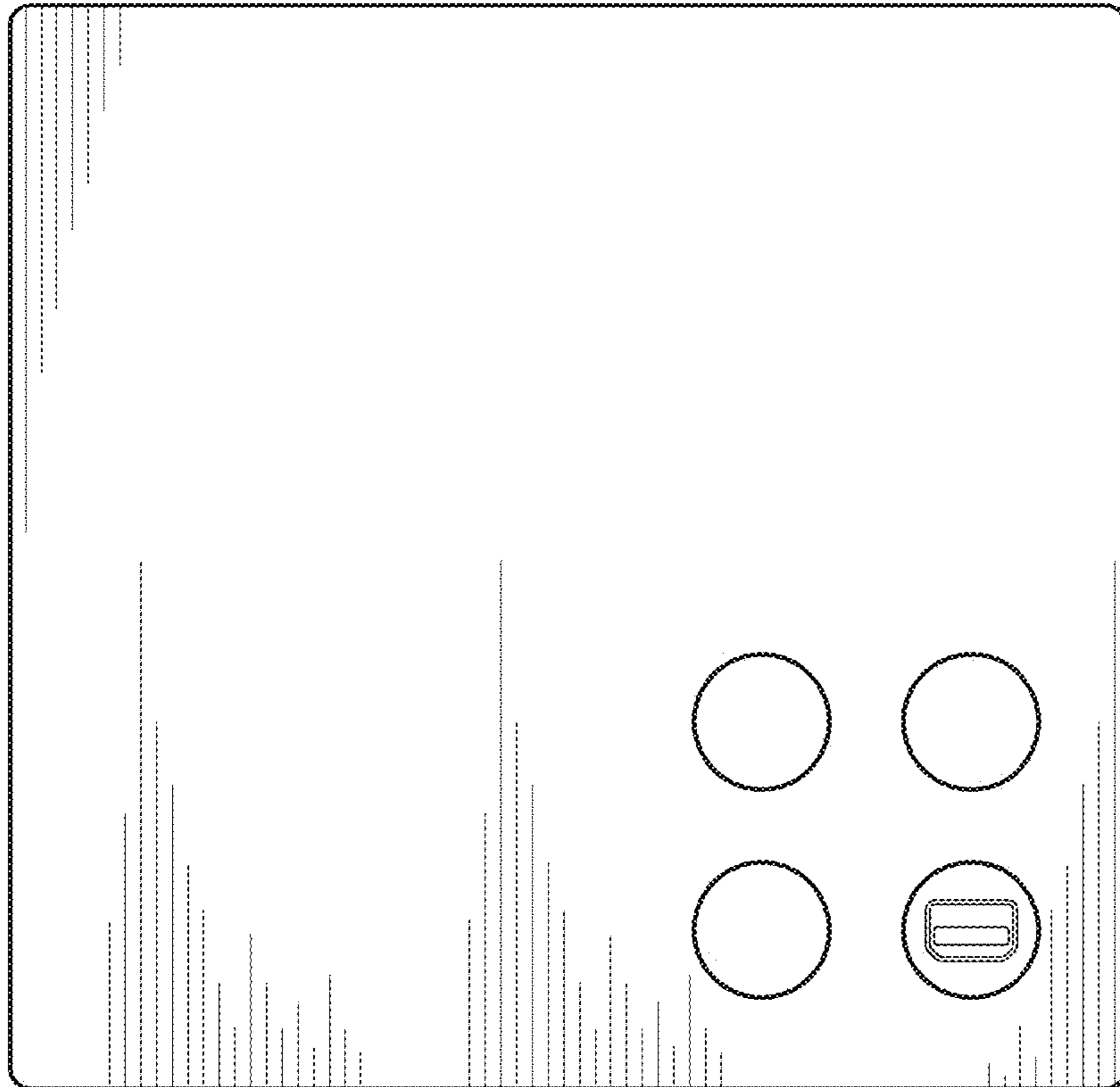


FIG. 2

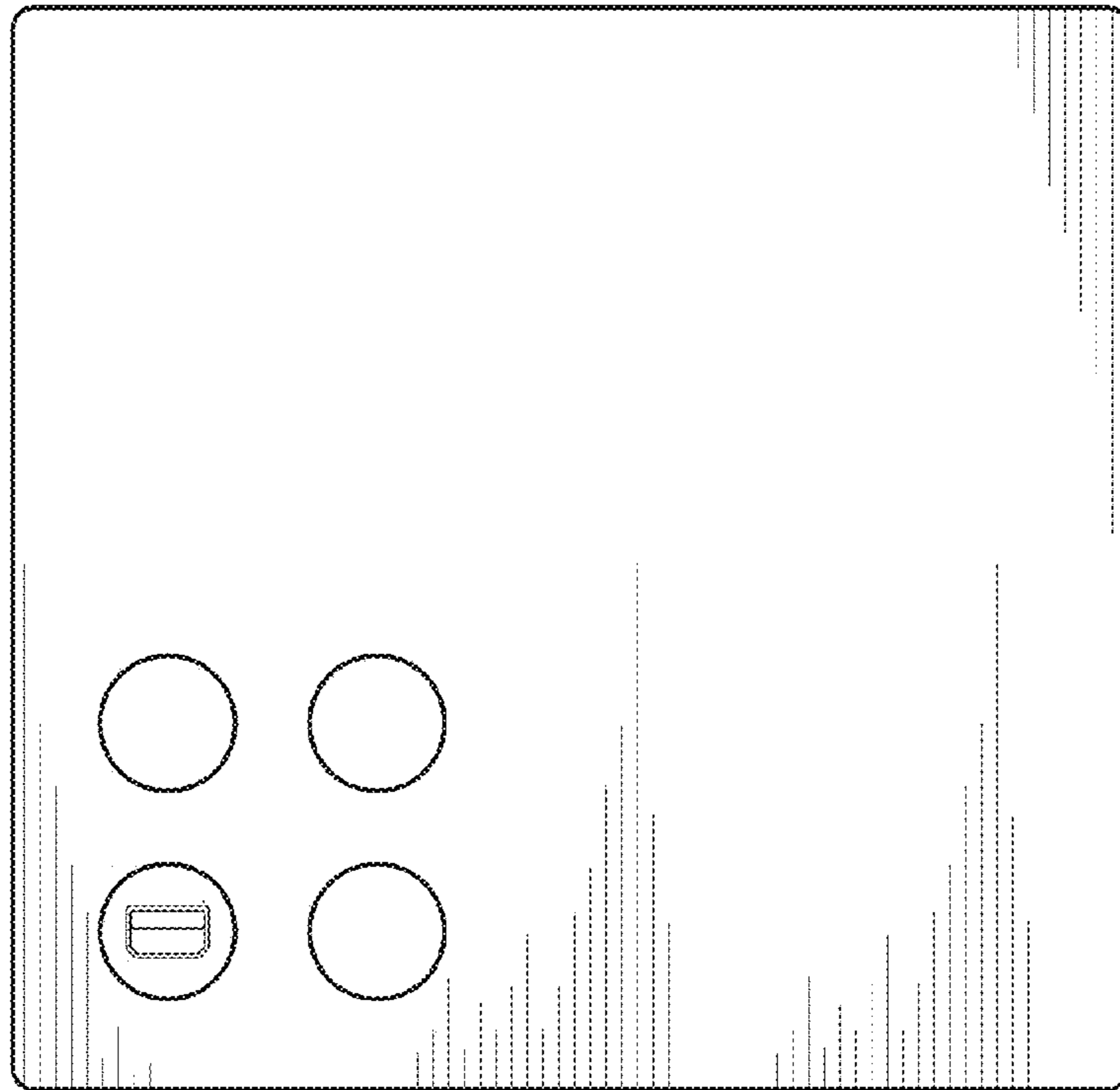


FIG. 3

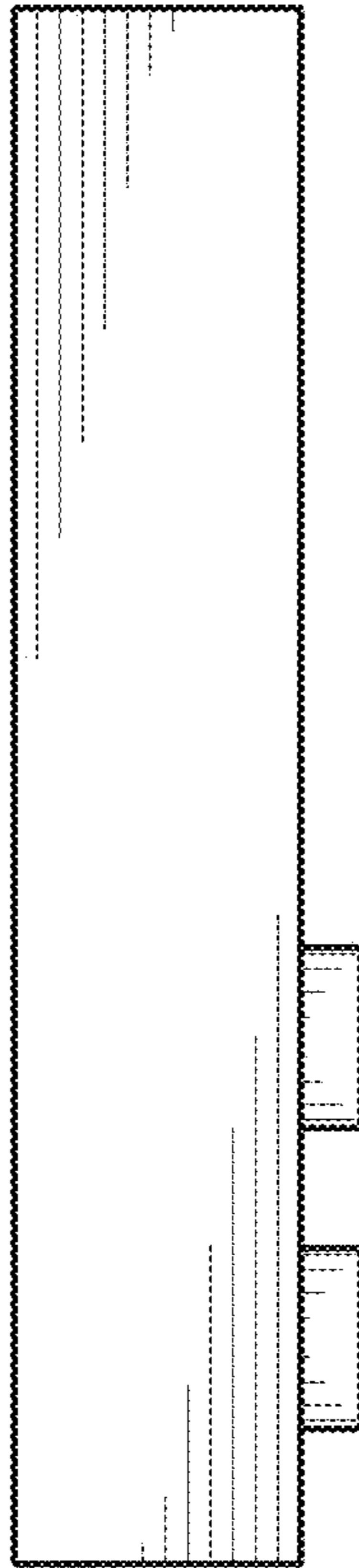


FIG. 4

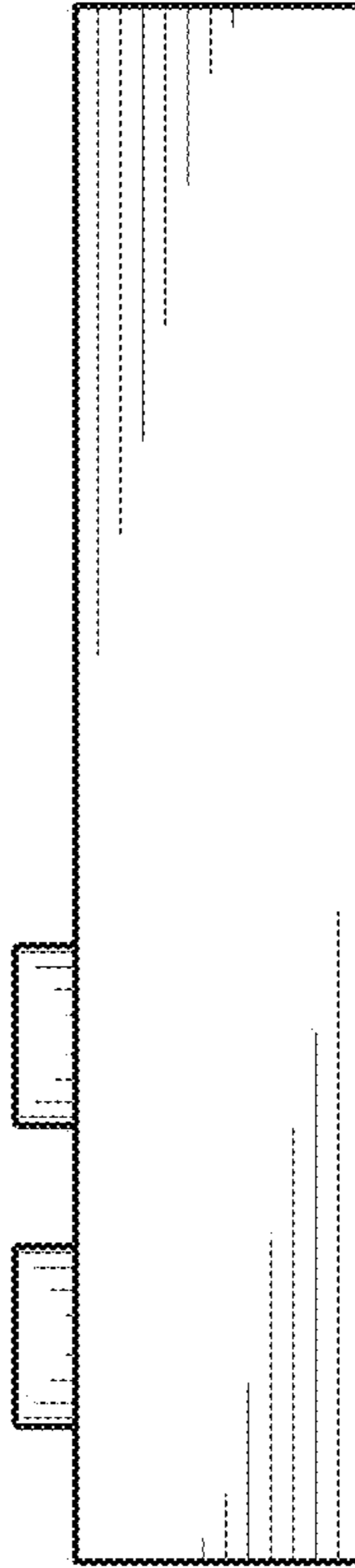


FIG. 5

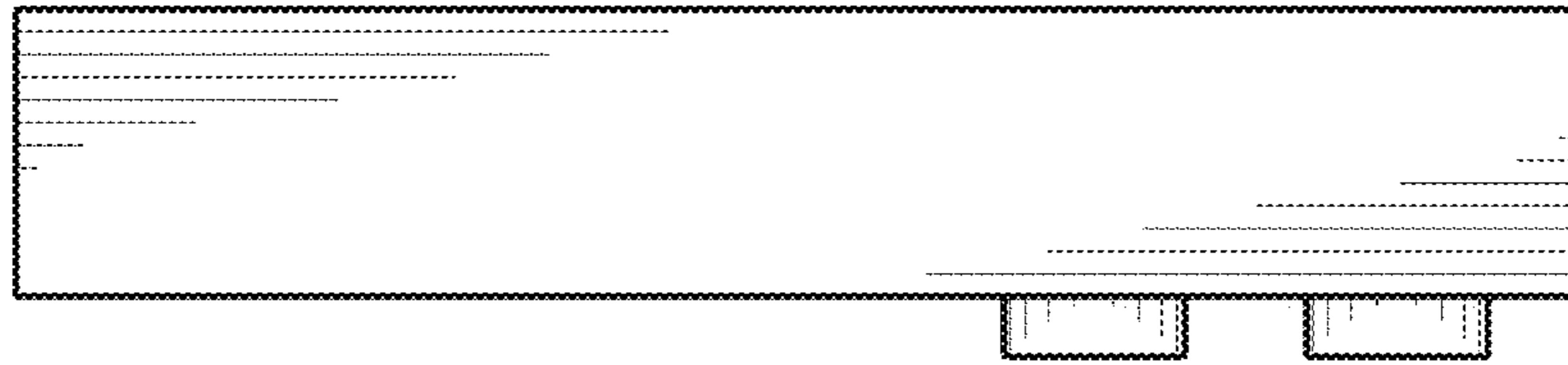


FIG. 6

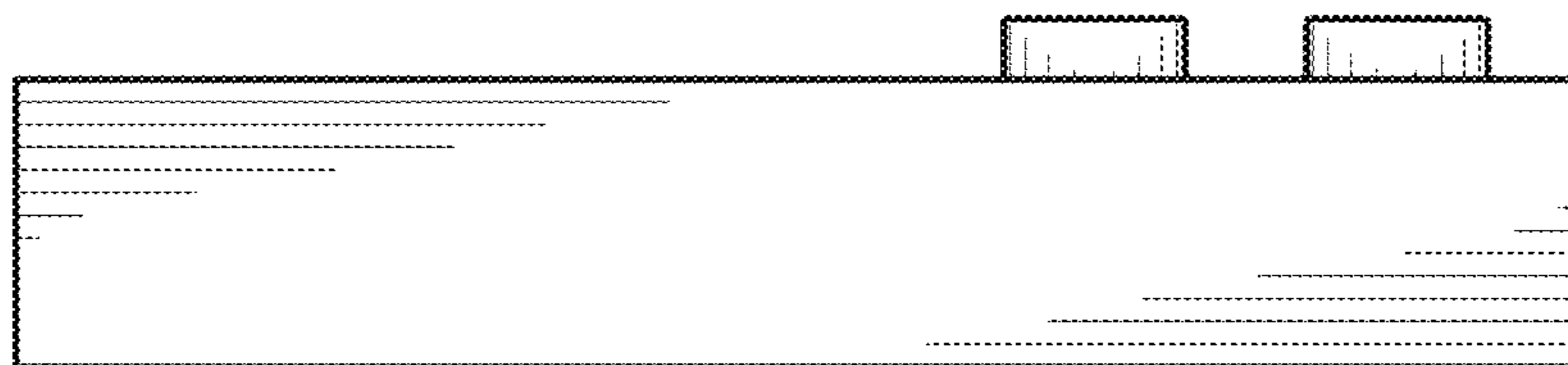


FIG. 7

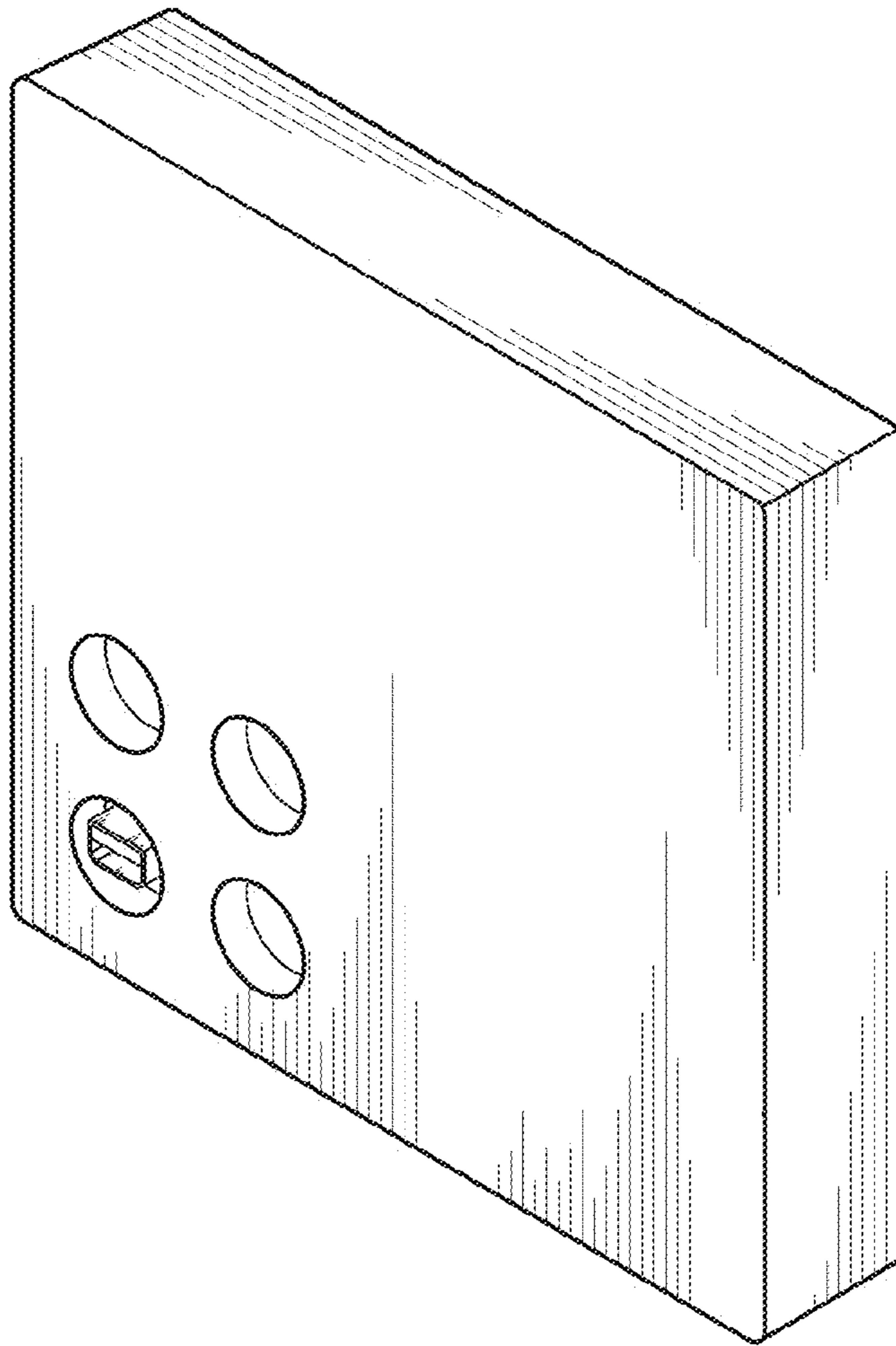


FIG. 8