



US00D693339S

(12) **United States Design Patent**
Wolff et al.

(10) **Patent No.:** **US D693,339 S**
(45) **Date of Patent:** **** Nov. 12, 2013**

(54) **TRANSFORMER TABLET COMPUTER**

Primary Examiner — Freda S Nunn

(71) Applicant: **Hewlett-Packard Development Company, L.P.**, Houston, TX (US)

(72) Inventors: **Stacy L. Wolff**, Cypress, TX (US);
Kevin L. Massaro, Houston, TX (US);
Michael J. Delpier, Houston, TX (US)

(73) Assignee: **Hewlett-Packard Development Company, L.P.**, Houston, TX (US)

(**) Term: **14 Years**

(21) Appl. No.: **29/434,901**

(22) Filed: **Oct. 18, 2012**

(51) **LOC (9) Cl.** **14-02**

(52) **U.S. Cl.**
USPC **D14/315**

(58) **Field of Classification Search**
USPC D14/315-327; D18/1, 2, 7, 11;
235/145 A, 145 R; 341/22, 23; 345/104,
345/156, 168, 169, 173; 361/679.08,
361/679.09, 679.11, 679.26, 679.27
See application file for complete search history.

(56) **References Cited**

U.S. PATENT DOCUMENTS

D650,379 S * 12/2011 Paek et al. D14/315
D651,206 S * 12/2011 Kim et al. D14/315

* cited by examiner

(57) **CLAIM**

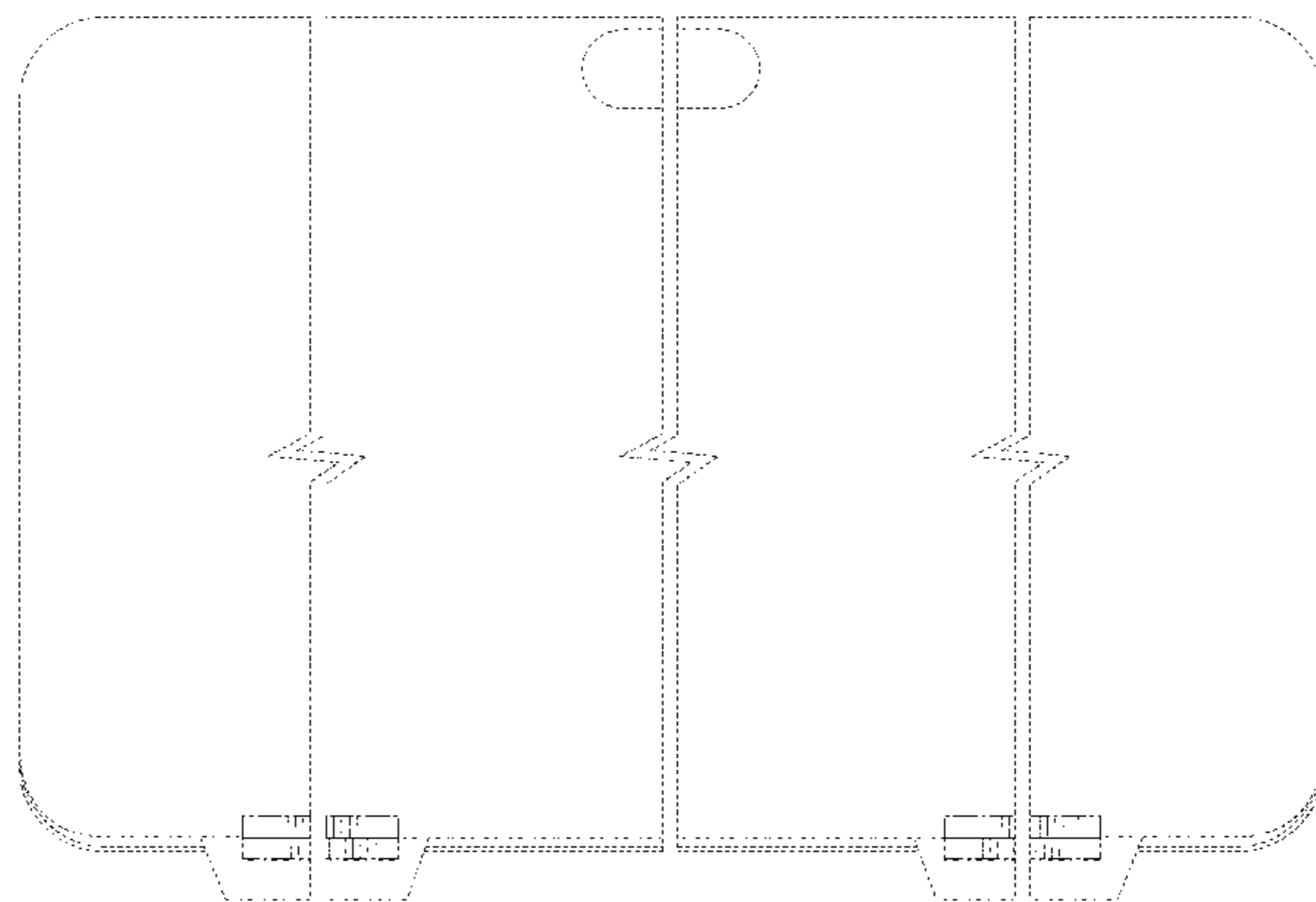
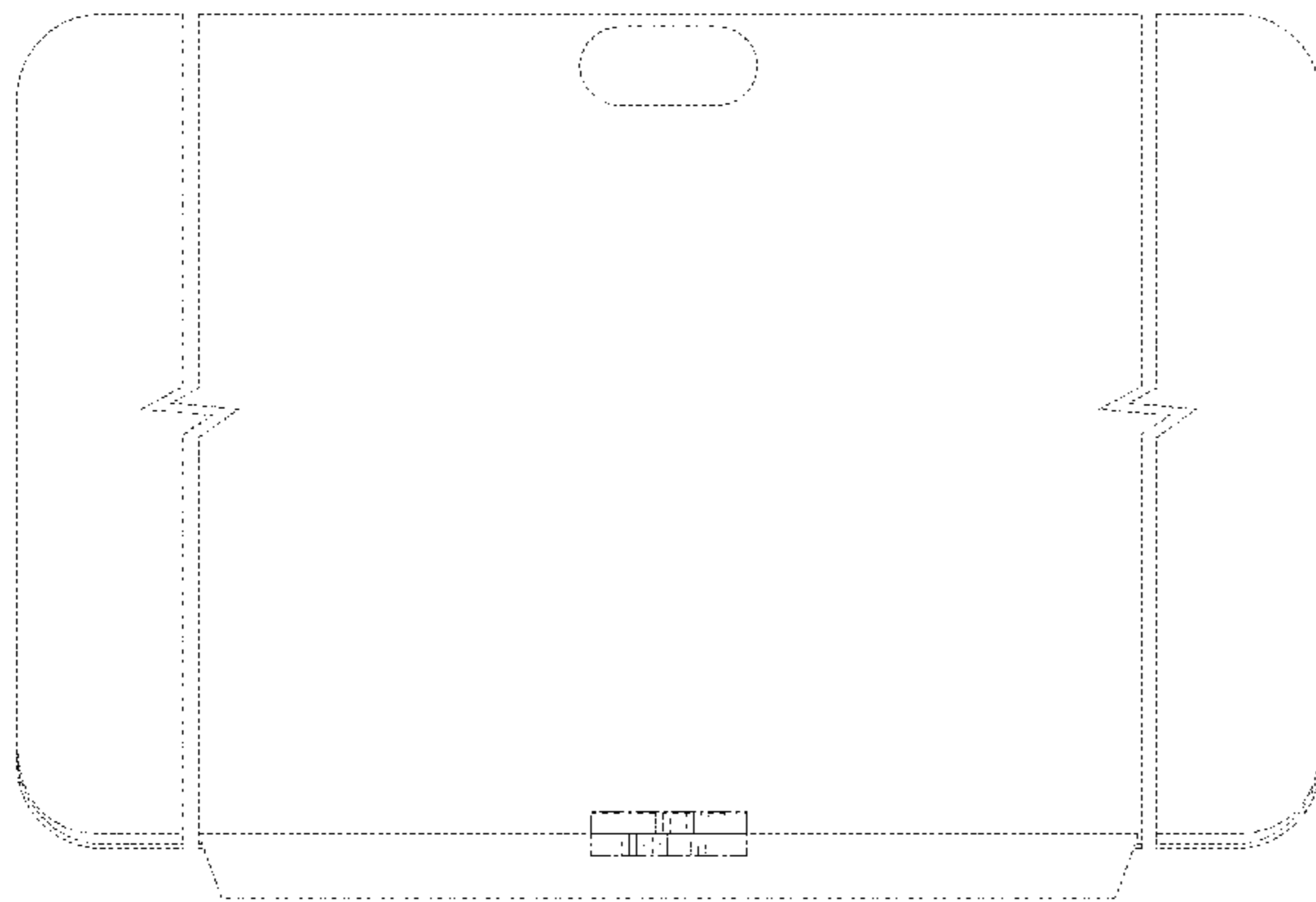
We claim the ornamental design for a transformer tablet computer, as shown and described.

DESCRIPTION

FIG. 1 is a top perspective view of a transformer tablet computer in a connected and partially opened state;
FIG. 2 is a top perspective view of the transformer tablet computer in a connected and closed state;
FIG. 3 is top view of the transformer tablet computer of FIG. 1;
FIG. 4 is a right side view of the transformer tablet computer of FIG. 1;
FIG. 5 is a right side view of the transformer tablet computer of FIG. 1 in a closed and disconnected state;
FIG. 6 is a left side view of the transformer tablet computer of FIG. 1 in an open and connected state;
FIG. 7 is a top view of another embodiment of the transformer tablet computer of FIG. 1; and,
FIG. 8 is a top perspective view of the transformer tablet computer of FIG. 7.

The dash-dash broken lines in the drawings are environmental lines which do not form part of the claimed design. The short dash-long dash lines are boundary lines which do not form part of the claimed design.

1 Claim, 7 Drawing Sheets



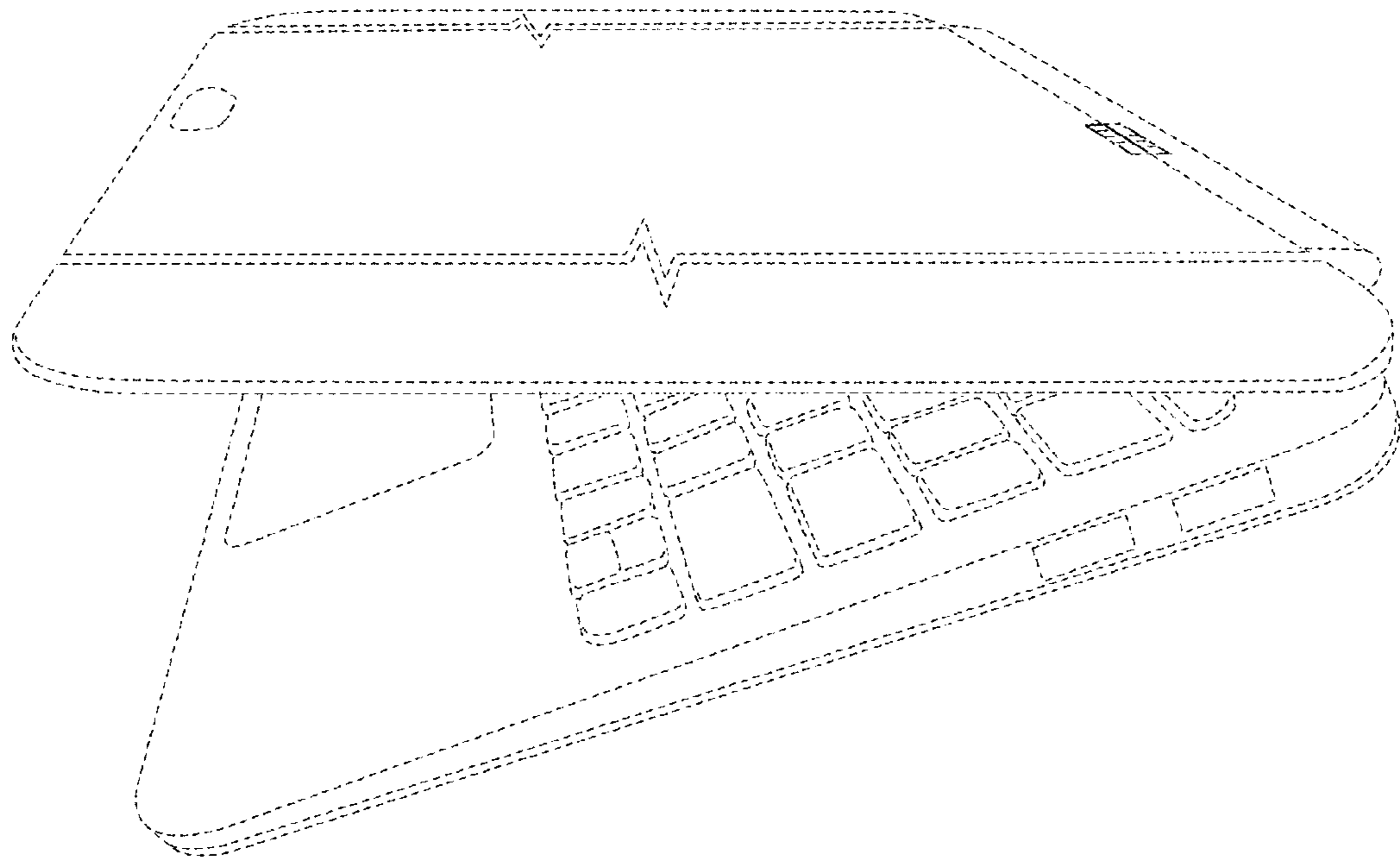


FIG. 1

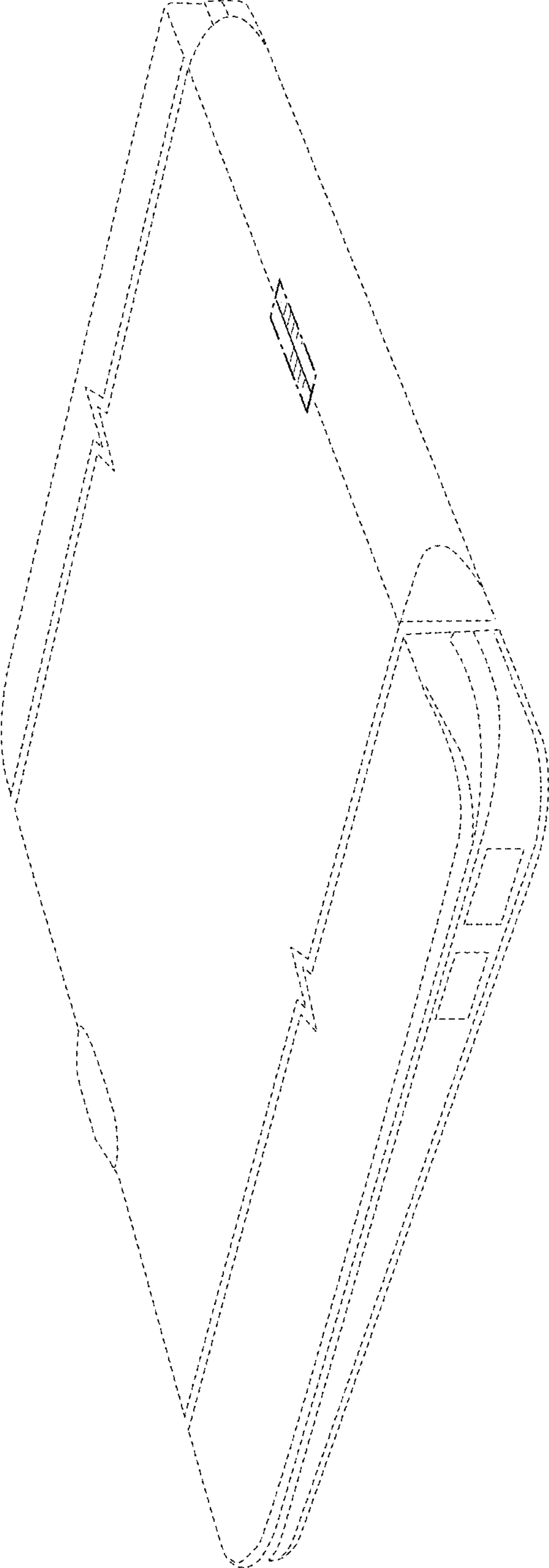


FIG. 2

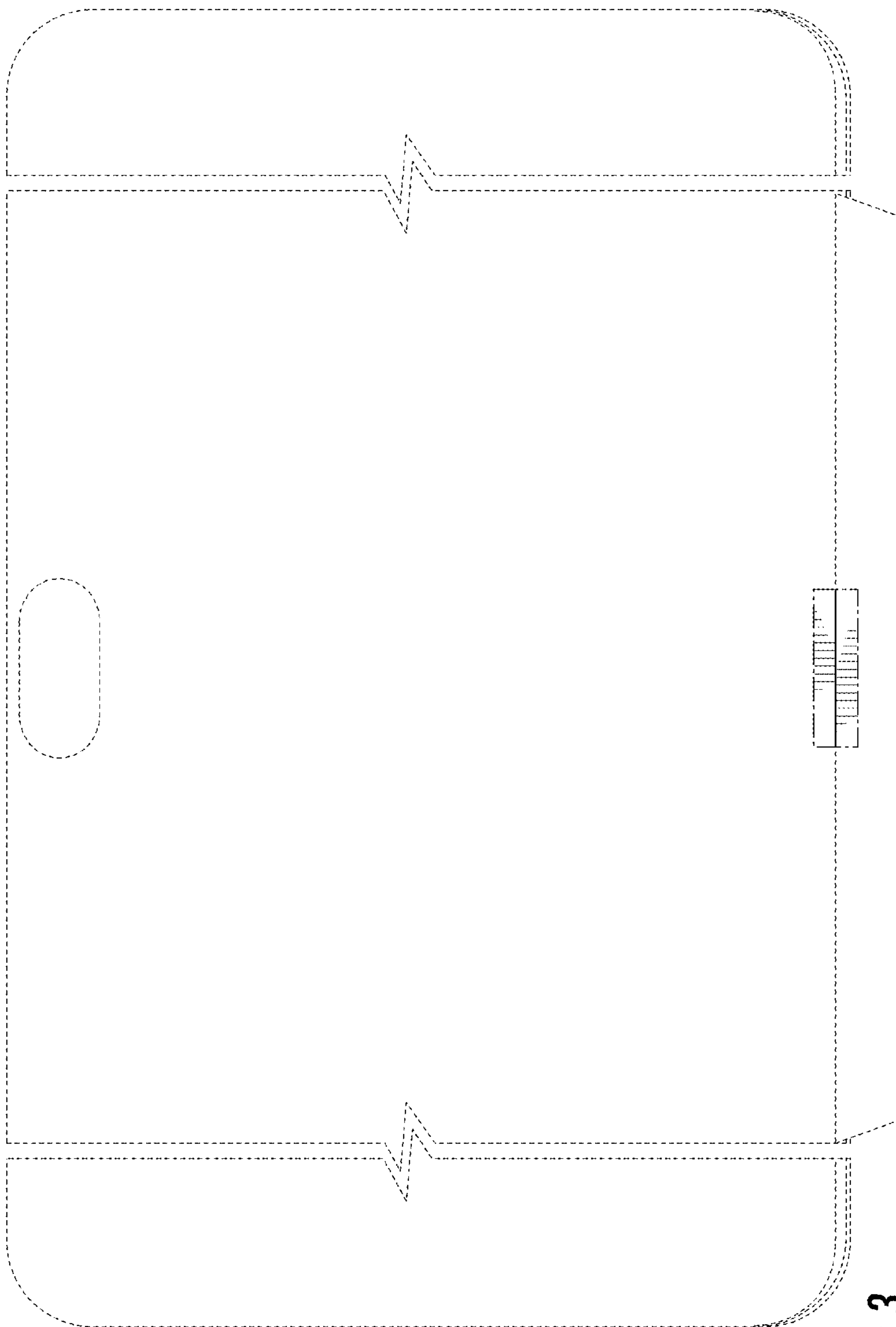


FIG. 3

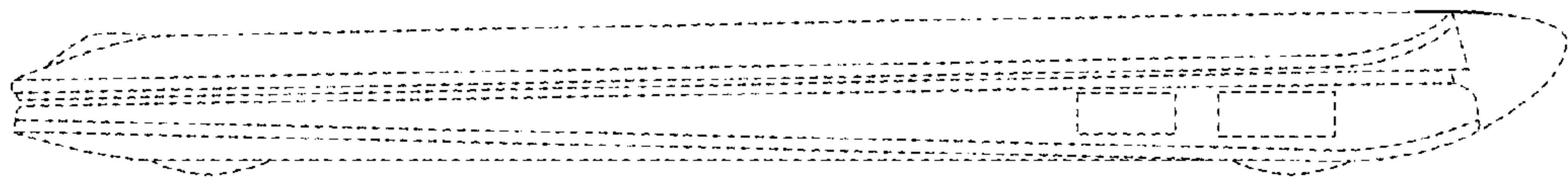


FIG. 4

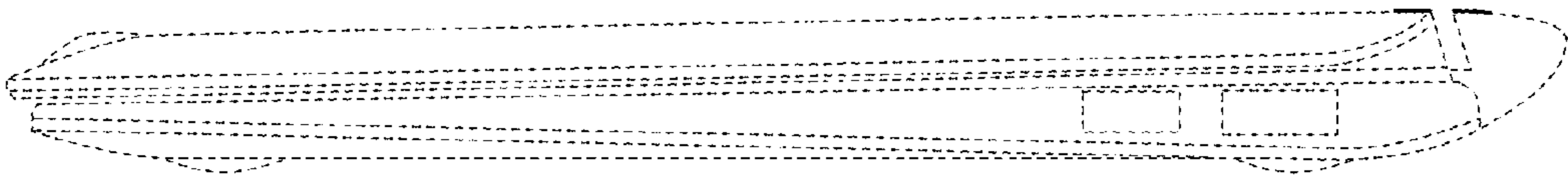


FIG. 5

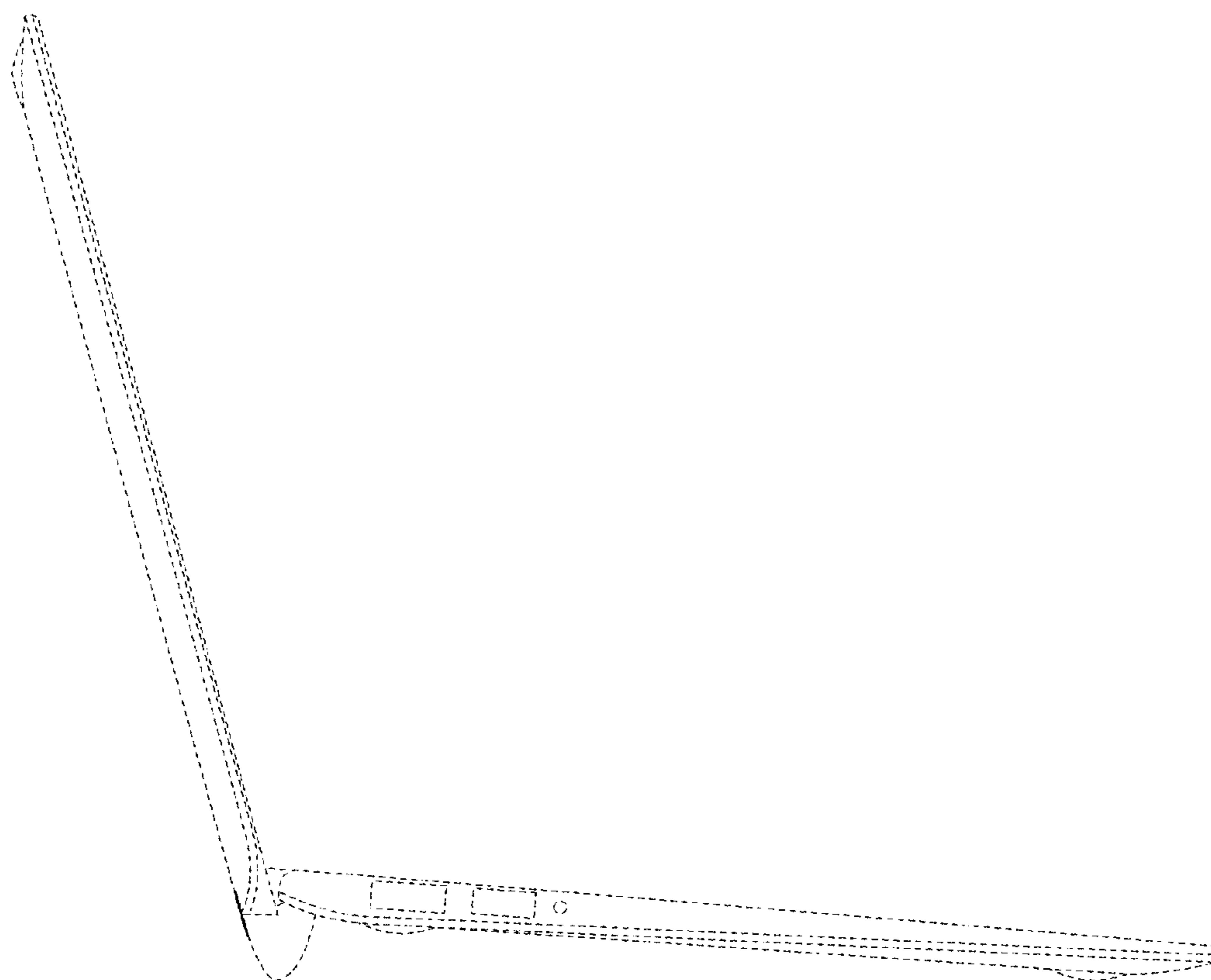


FIG. 6

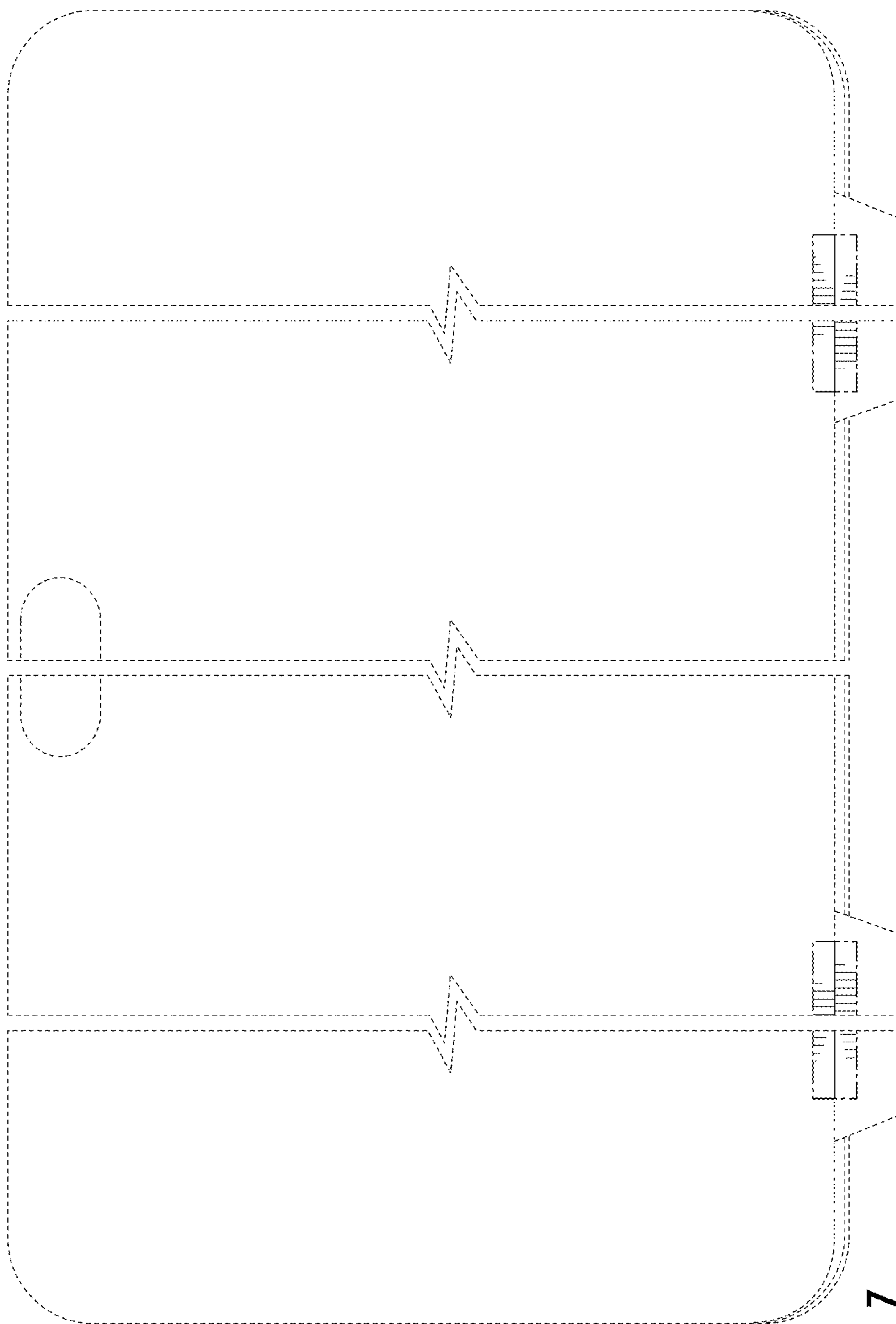


FIG. 7

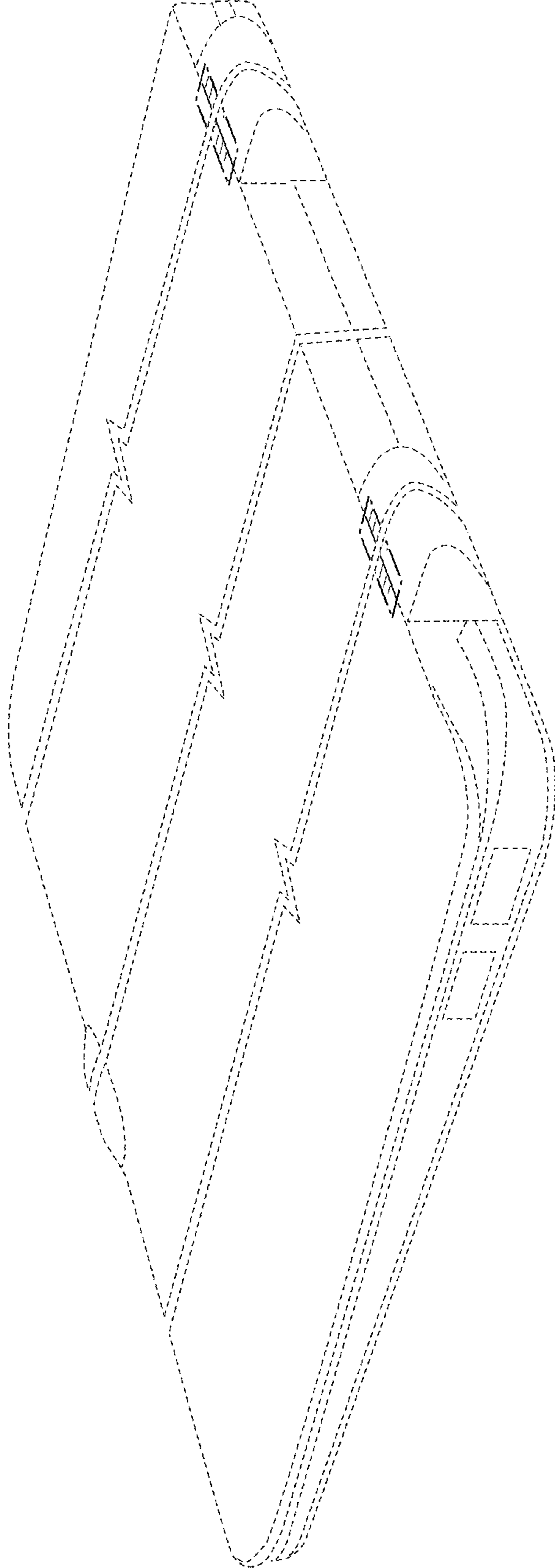


FIG. 8