



US00D693337S

(12) **United States Design Patent**
Chen et al.

(10) **Patent No.:** **US D693,337 S**
(45) **Date of Patent:** **** Nov. 12, 2013**

(54) **COMPUTER WITH SLIDING KEYBOARD**
(75) Inventors: **Li-Fang Chen**, Taipei (TW); **Shi-Kuan Chen**, Taipei (TW); **Hong-Tien Wang**, Taipei (TW); **Chih-Wen Chiang**, Taipei (TW); **Yung-Hsiang Chen**, Taipei (TW); **Ting-Wei Wu**, Taipei (TW); **Pei-Pin Huang**, Taipei (TW); **Chia-Lin Chan**, Taipei (TW); **Jun-Jie Chen**, Taipei (TW)
(73) Assignee: **Compal Electronics, Inc.**, Taipei (TW)

(**) Term: **14 Years**
(21) Appl. No.: **29/423,746**

(22) Filed: **Jun. 5, 2012**
(51) **LOC (9) Cl.** **14-02**
(52) **U.S. Cl.**
USPC **D14/315**
(58) **Field of Classification Search**
USPC D14/315-327, 331; D18/1, 2, 7, 11;
235/145 A, 145 R; 341/22, 23; 345/104,
345/156, 168, 169, 173; 361/679.06,
361/679.08, 679.09, 679.11, 679.26,
361/679.27; 379/433.12, 433.13
See application file for complete search history.

(56) **References Cited**
U.S. PATENT DOCUMENTS
D421,972 S * 3/2000 Makidera et al. D14/316
D528,541 S * 9/2006 Maskatia D14/315

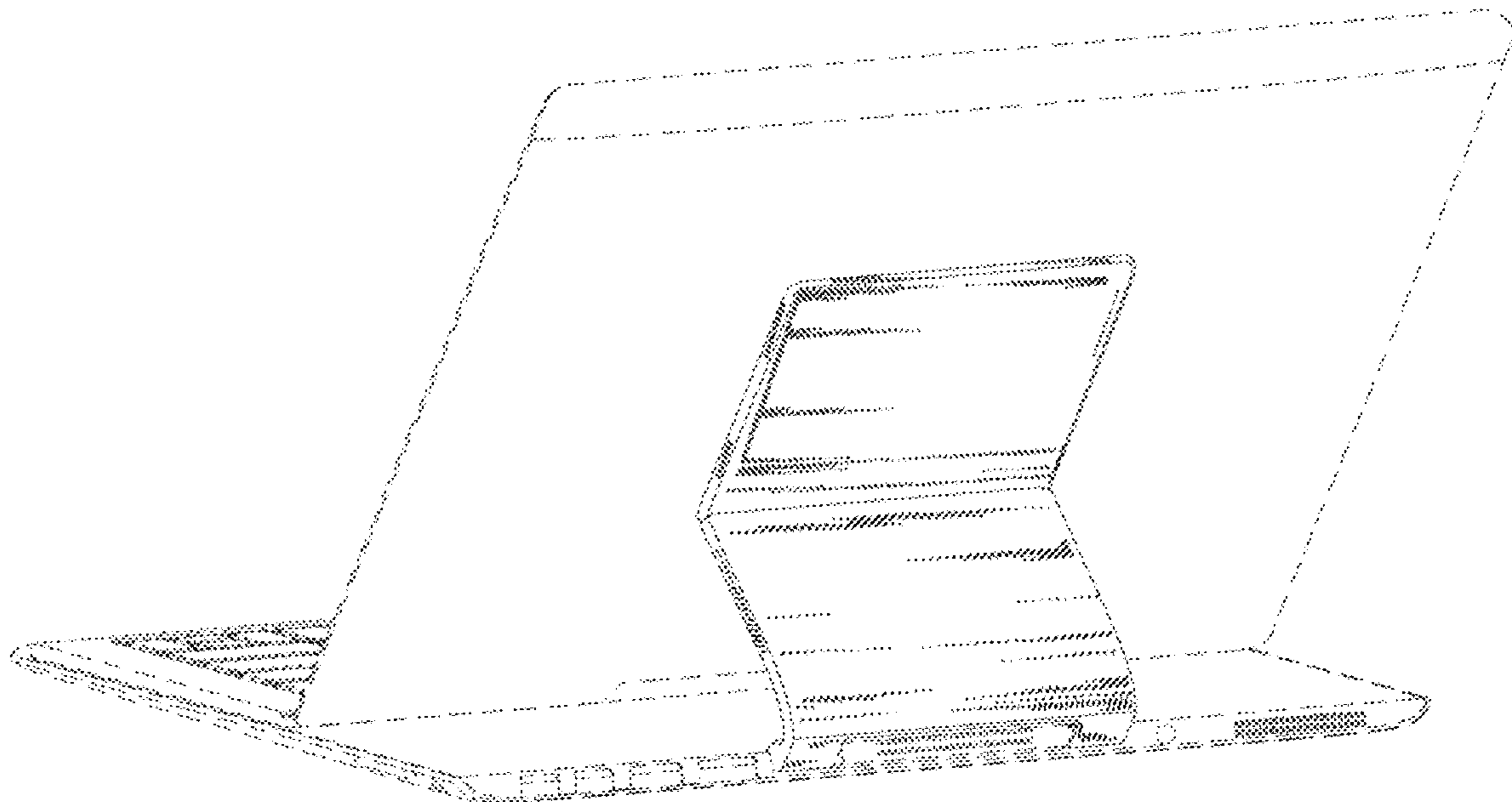
7,158,634 B2 * 1/2007 Eromaki 379/433.13
7,492,891 B2 * 2/2009 Eldon 379/433.12
7,599,487 B2 * 10/2009 Lim 379/433.12
7,690,576 B2 * 4/2010 Ladouceur et al. 235/486
D626,547 S * 11/2010 Li et al. D14/316
2005/0044665 A1 * 3/2005 Kuramochi 16/341
2012/0037285 A1 * 2/2012 Diebel et al. 150/165

* cited by examiner
Primary Examiner — Freda S Nunn
(74) *Attorney, Agent, or Firm* — CKC & Partners Co., Ltd.

(57) **CLAIM**
The ornamental design for a computer with sliding keyboard, as shown and described.

DESCRIPTION
FIG. 1 is a perspective view of a computer with sliding keyboard showing our new design;
FIG. 2 is a front view thereof;
FIG. 3 is a rear view thereof;
FIG. 4 is a left side view thereof;
FIG. 5 is a right side view thereof;
FIG. 6 is a top view thereof;
FIG. 7 is a bottom view thereof; and,
FIG. 8 is a perspective view thereof shown opened and in use. The broken lines shown represent unclaimed subject matter and form no part of the claimed design.

1 Claim, 6 Drawing Sheets



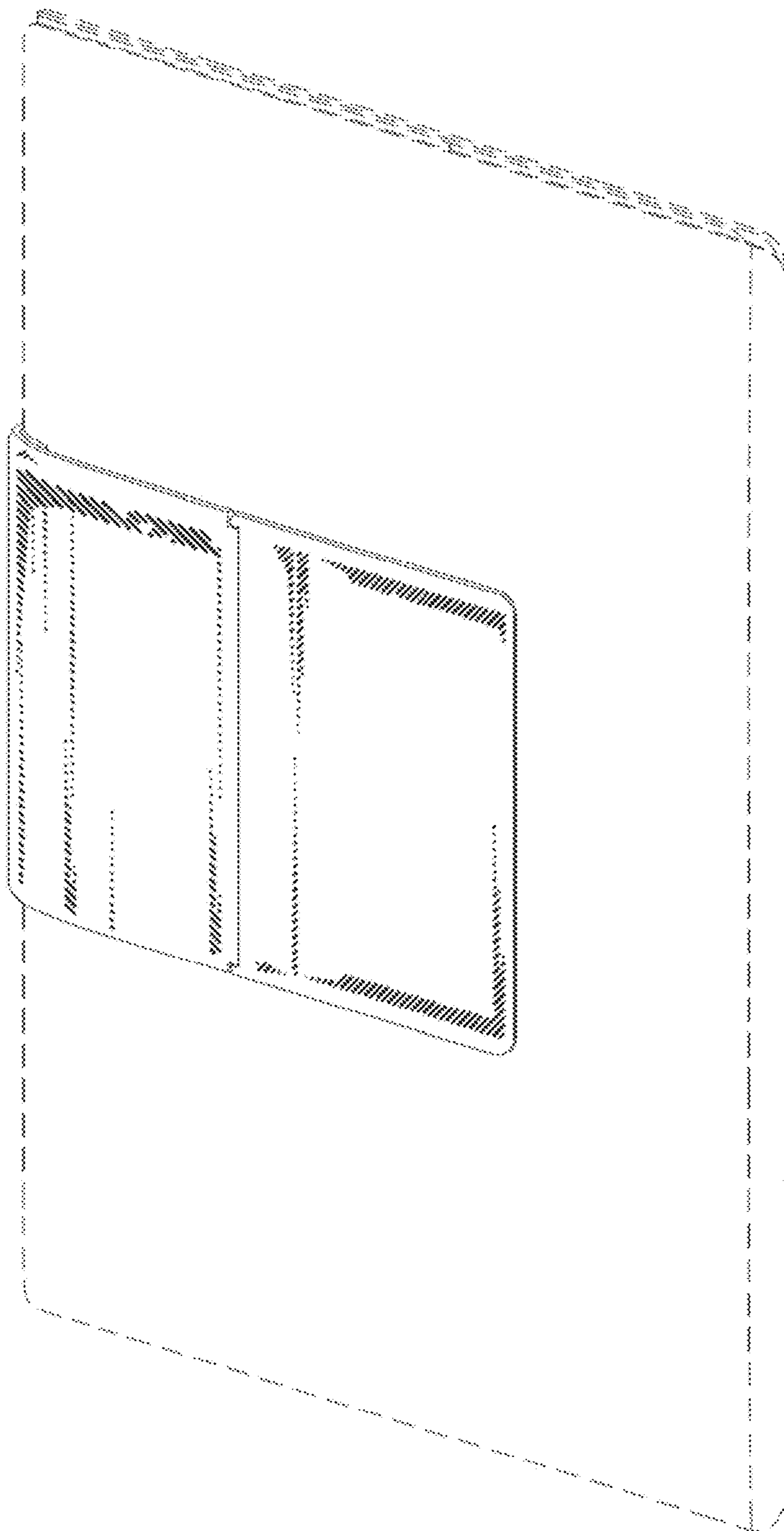


Fig. 1

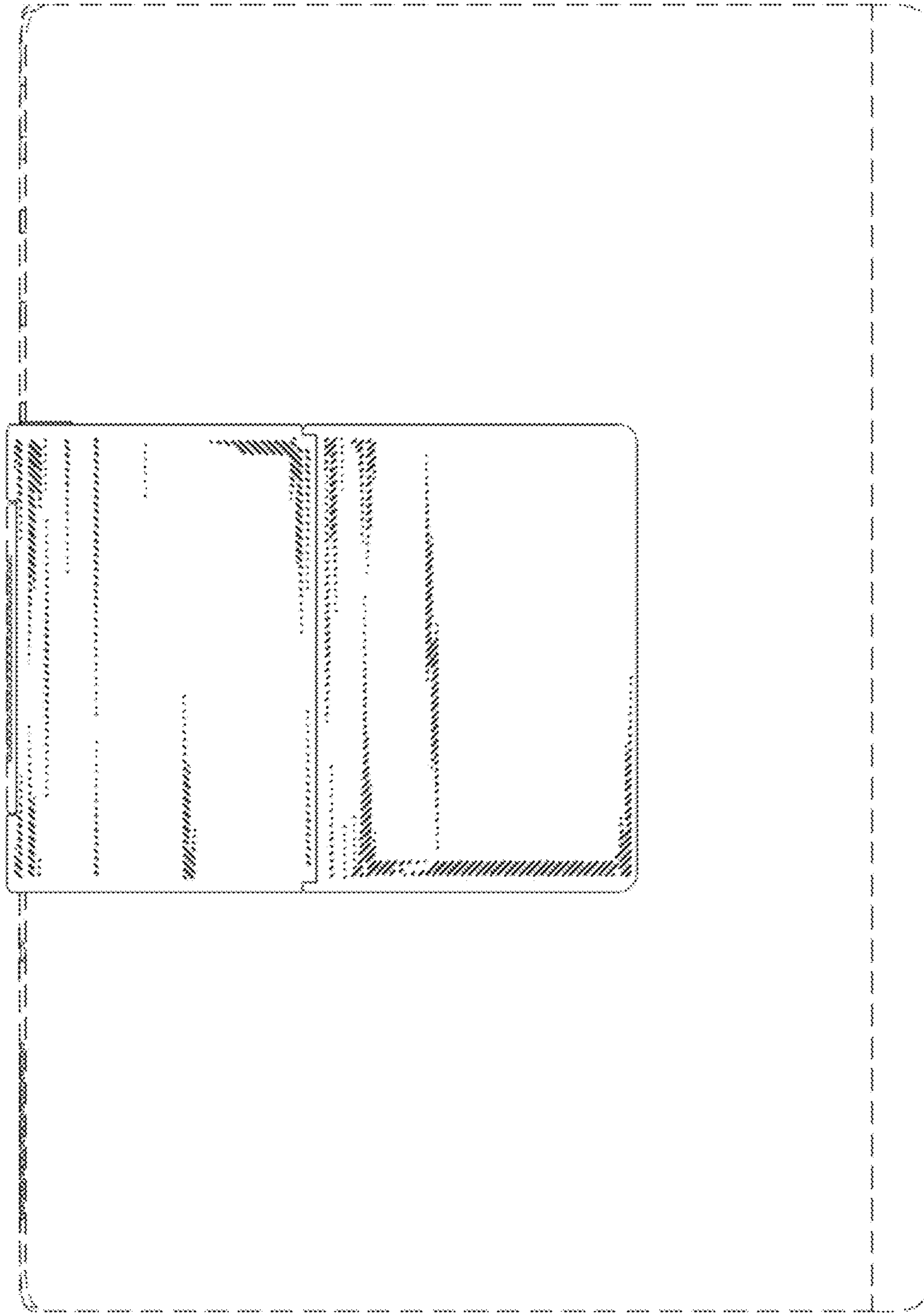


Fig. 2

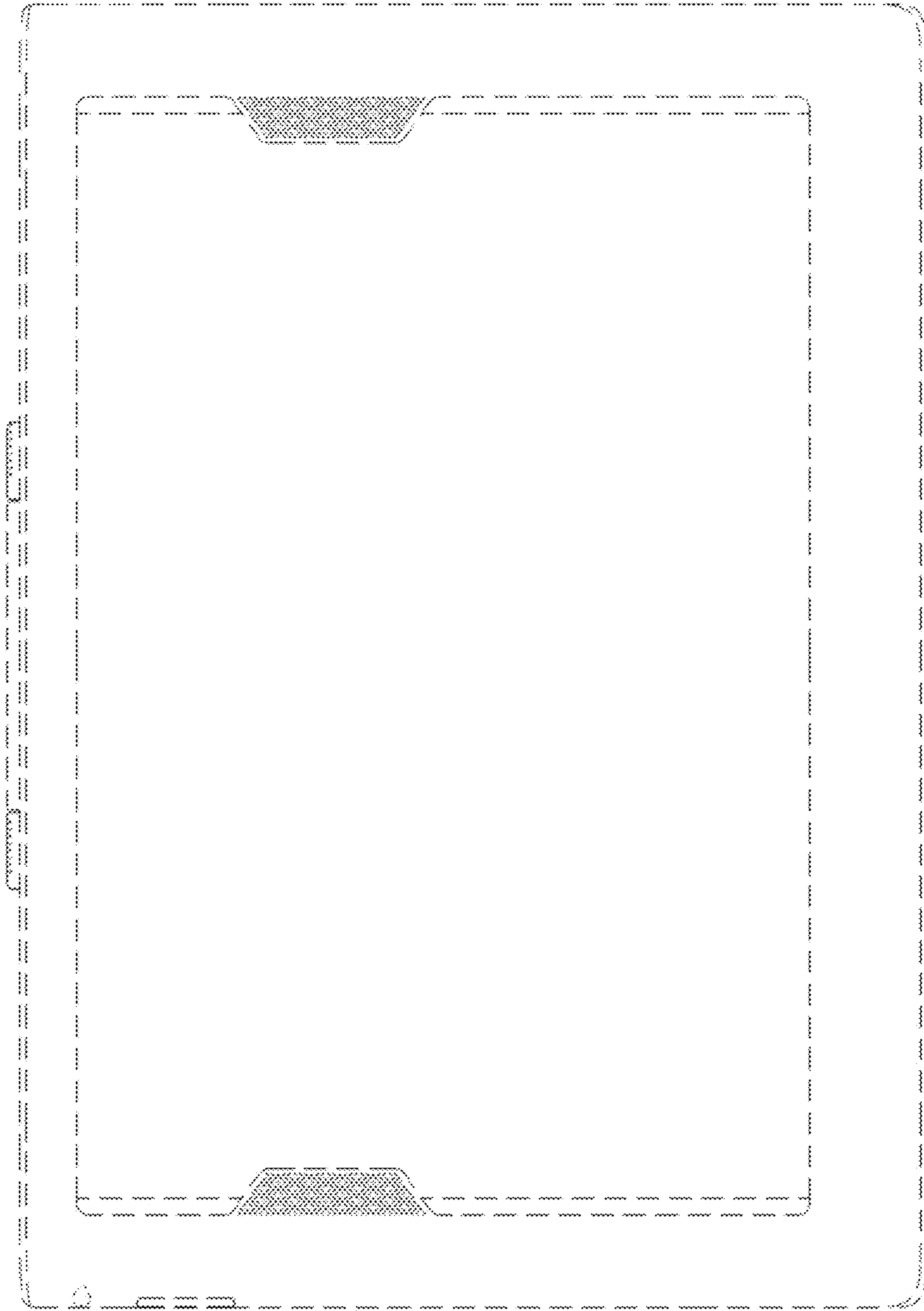


Fig. 3

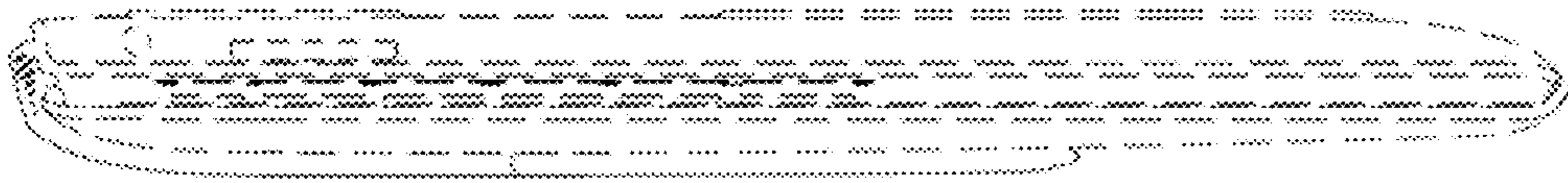


Fig. 5

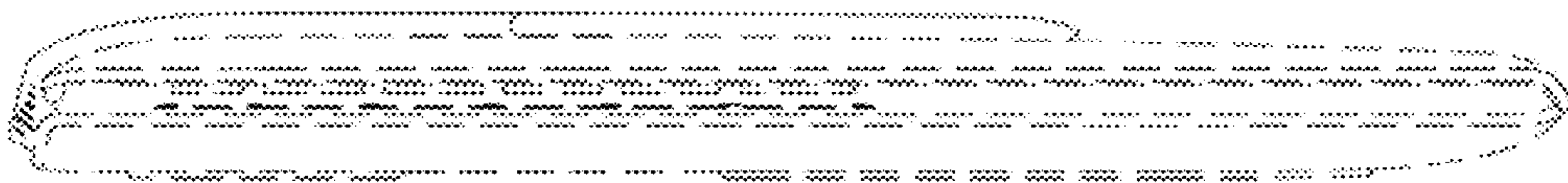


Fig. 4



Fig. 6

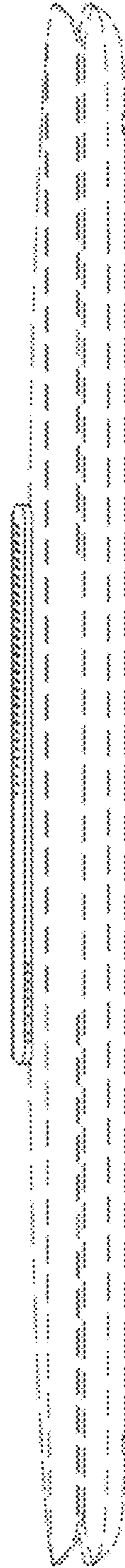


Fig. 7

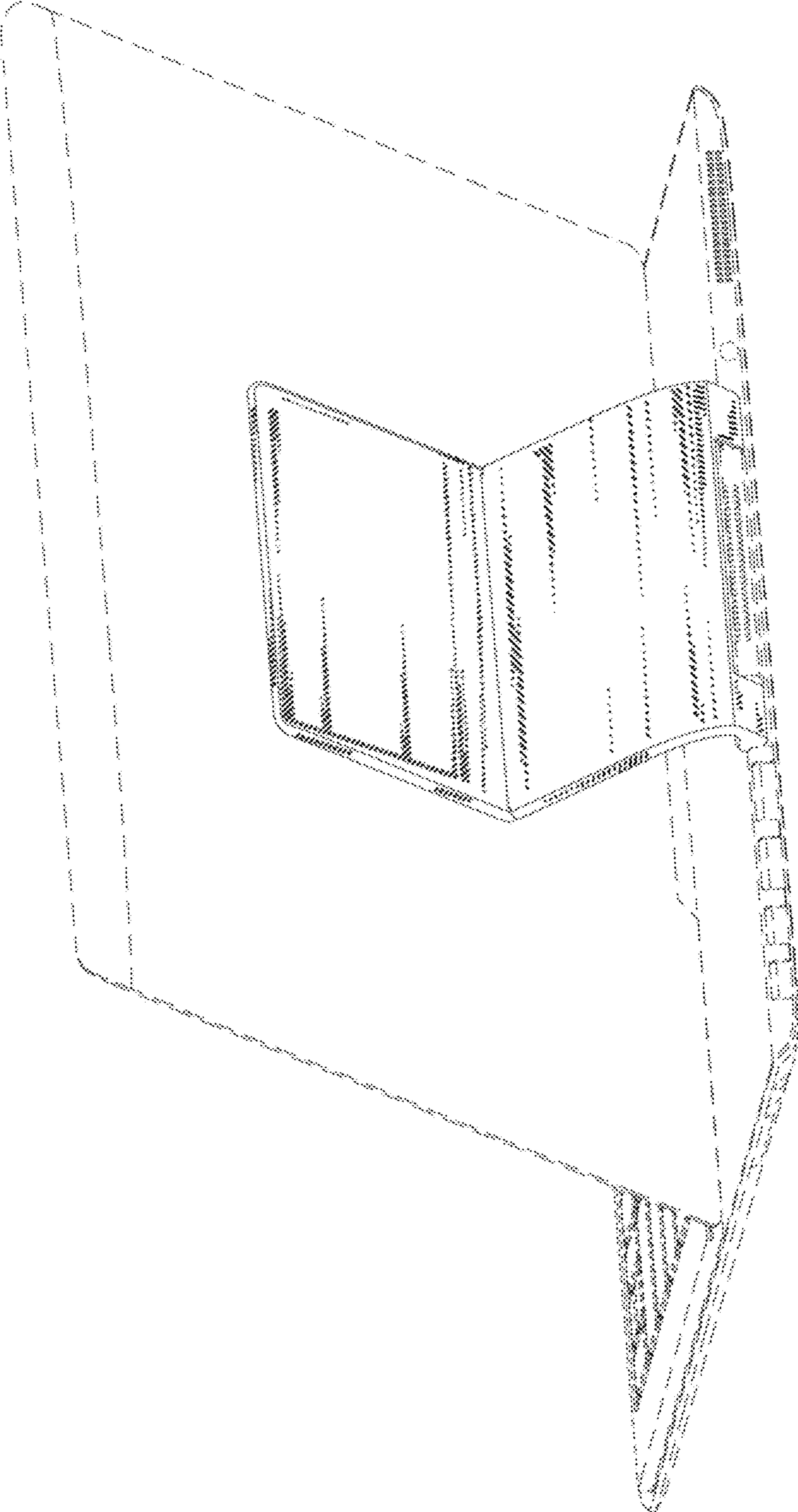


Fig. 8