



US00D693332S

(12) **United States Design Patent**
Lee et al.

(10) **Patent No.:** **US D693,332 S**
(45) **Date of Patent:** **** Nov. 12, 2013**

(54) **REMOTE CONTROLLER FOR ELECTRONIC MACHINES AND APPARATUS**

(75) Inventors: **Hophil Lee**, Gyeonggi-do (KR);
Eunseok Choi, Seoul (KR); **Euseok Lee**, Seoul (KR)

(73) Assignee: **LG Electronics Inc.**, Seoul (KR)

(**) Term: **14 Years**

(21) Appl. No.: **29/430,702**

(22) Filed: **Aug. 29, 2012**

(51) **LOC (9) Cl.** **14-03**

(52) **U.S. Cl.**
USPC **D14/218**; D13/168

(58) **Field of Classification Search**
USPC D13/168; D14/218; 200/5 A, 5 R, 293;
340/4.3, 4.42, 12.22, 12.23, 12.24,
340/12.29, 12.3, 12.55, 13.2, 13.21, 13.24;
341/176; 345/169; 455/92, 95, 128,
455/151.1–151.4, 352, 353; 700/17, 65, 83
See application file for complete search history.

(56) **References Cited**

U.S. PATENT DOCUMENTS

D430,854 S	*	9/2000	Vende et al.	D13/168
D441,185 S	*	5/2001	Shimizu et al.	D3/207
D509,480 S	*	9/2005	Li	D13/168
D524,255 S	*	7/2006	Geringer	D13/168
D527,712 S	*	9/2006	Indio da Costa	D13/168
D531,586 S	*	11/2006	Poulet	D13/168

D548,728 S	*	8/2007	Yoshiyama	D14/218
D550,633 S	*	9/2007	Gupta	D13/168
D550,654 S	*	9/2007	Miyawaki et al.	D14/218
D561,703 S	*	2/2008	Shimokawa et al.	D13/168
D562,778 S	*	2/2008	Bonnaud	D13/168
D596,163 S	*	7/2009	Madonna et al.	D14/218
D647,886 S	*	11/2011	Kao	D14/218
D667,382 S	*	9/2012	Cosentino et al.	D13/168
D681,608 S	*	5/2013	Takami et al.	D14/218

OTHER PUBLICATIONS

Printout from www.lge.co.kr, showing “Smart Dongle” on p. 3, Apr. 2, 2012.

* cited by examiner

Primary Examiner — Selina Sikder

(74) *Attorney, Agent, or Firm* — Morgan, Lewis & Bockius LLP

(57) **CLAIM**

The ornamental design for a remote controller for electronic machines and apparatus, as shown and described.

DESCRIPTION

FIG. 1 is a perspective view of a remote controller for electronic machines and apparatus showing our new design;
FIG. 2 is a front view thereof;
FIG. 3 is a rear view thereof;
FIG. 4 is a left side view thereof;
FIG. 5 is a right side view thereof;
FIG. 6 is a top plan view thereof; and,
FIG. 7 is a bottom plan view thereof.

1 Claim, 6 Drawing Sheets

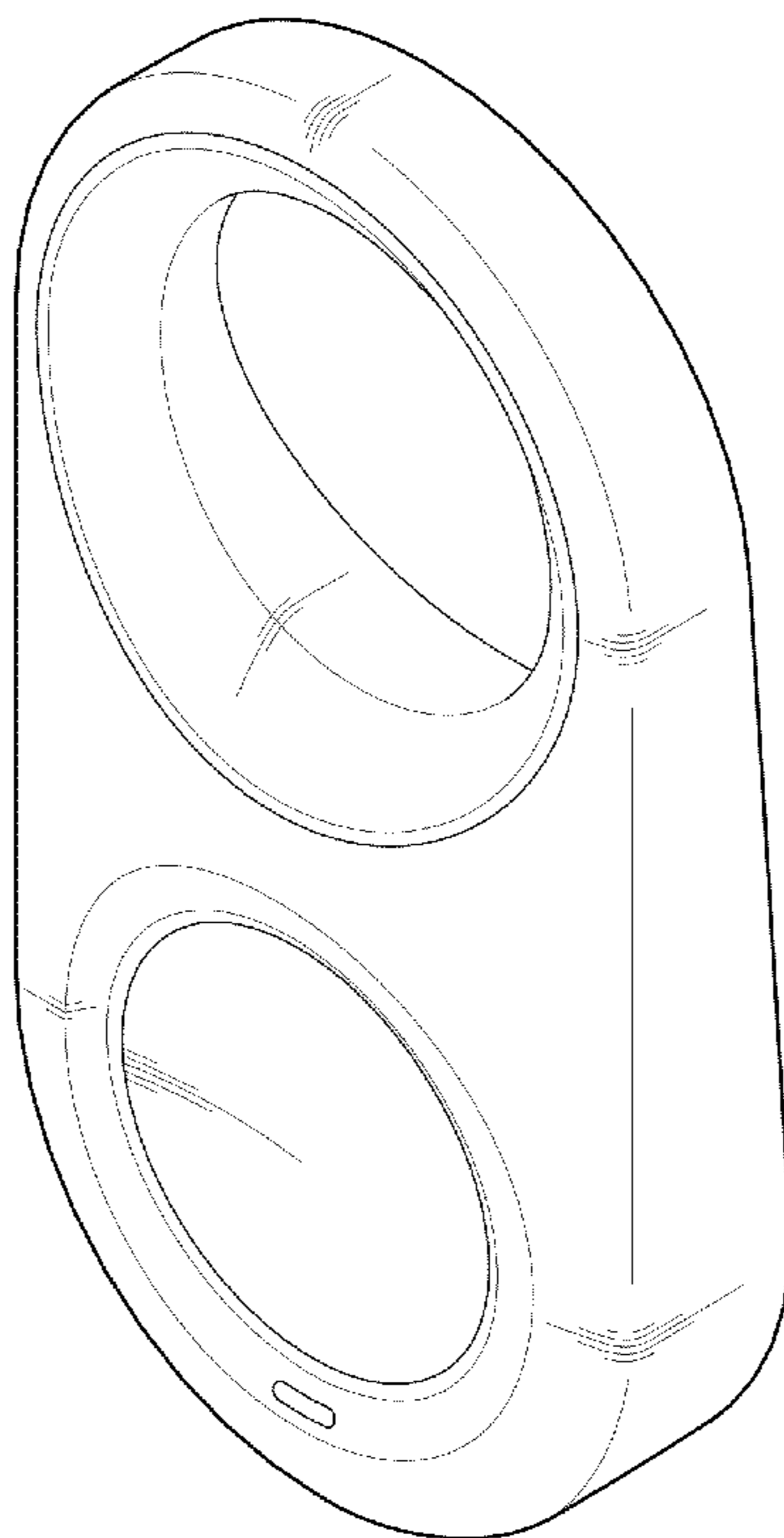


FIG. 1

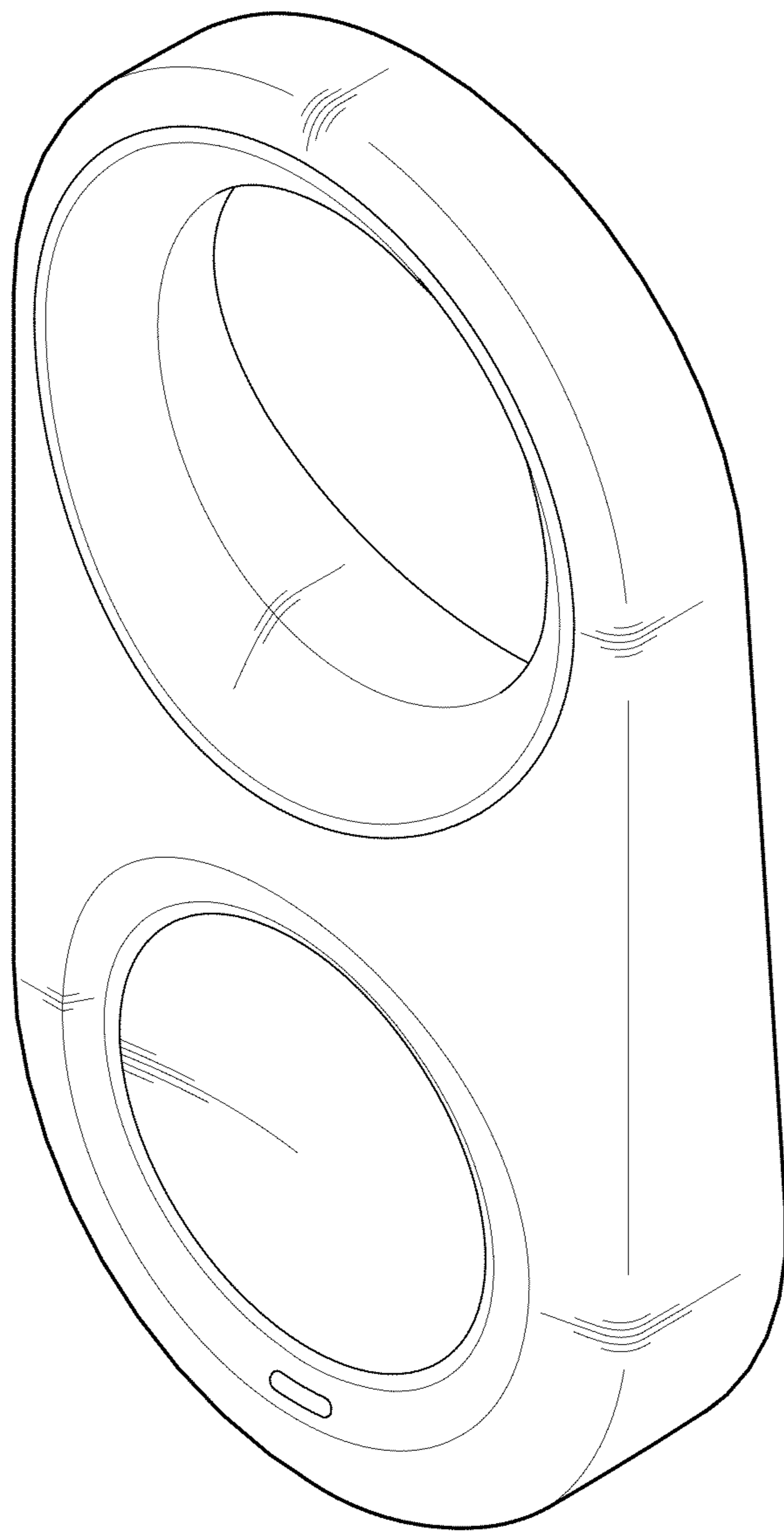


FIG. 2

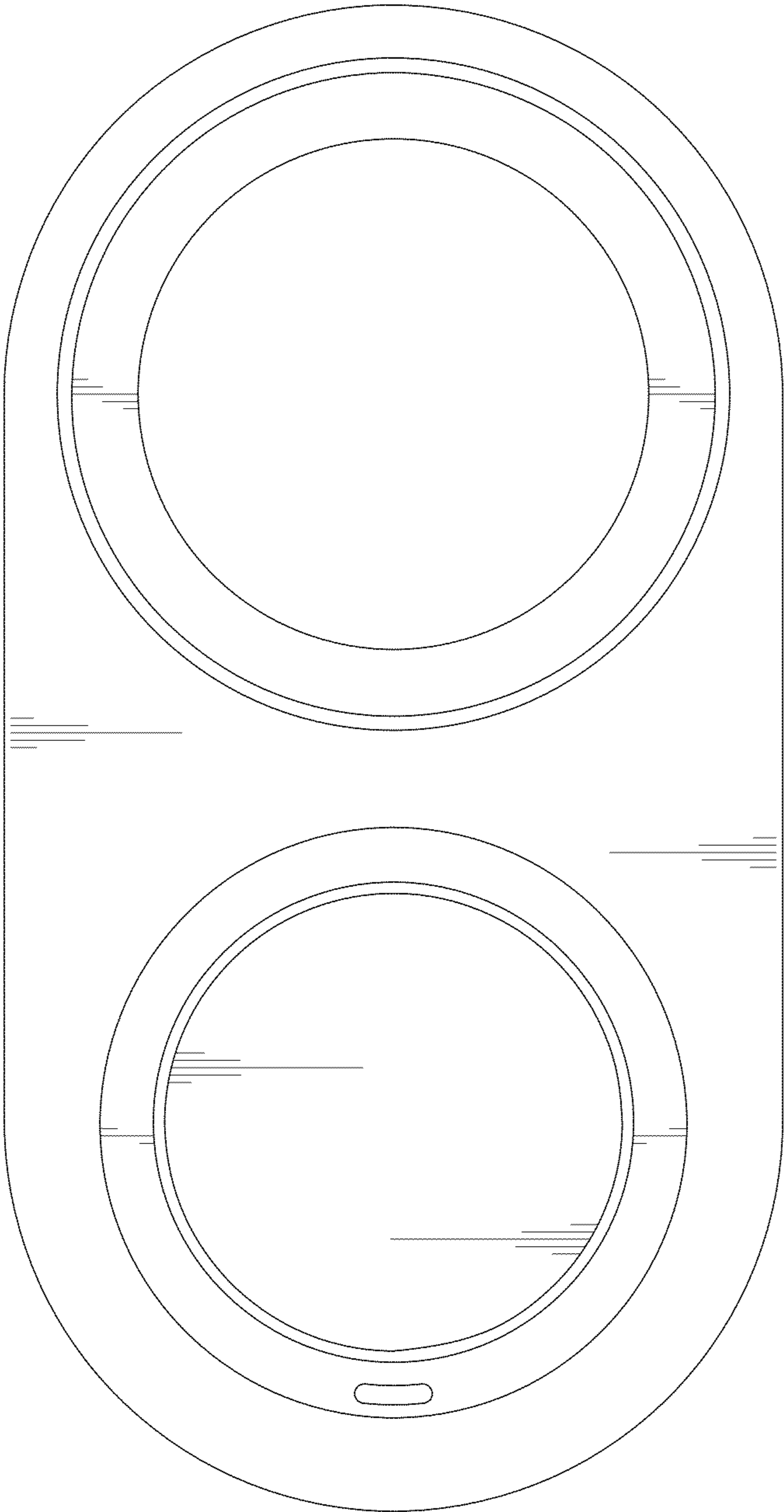


FIG. 3

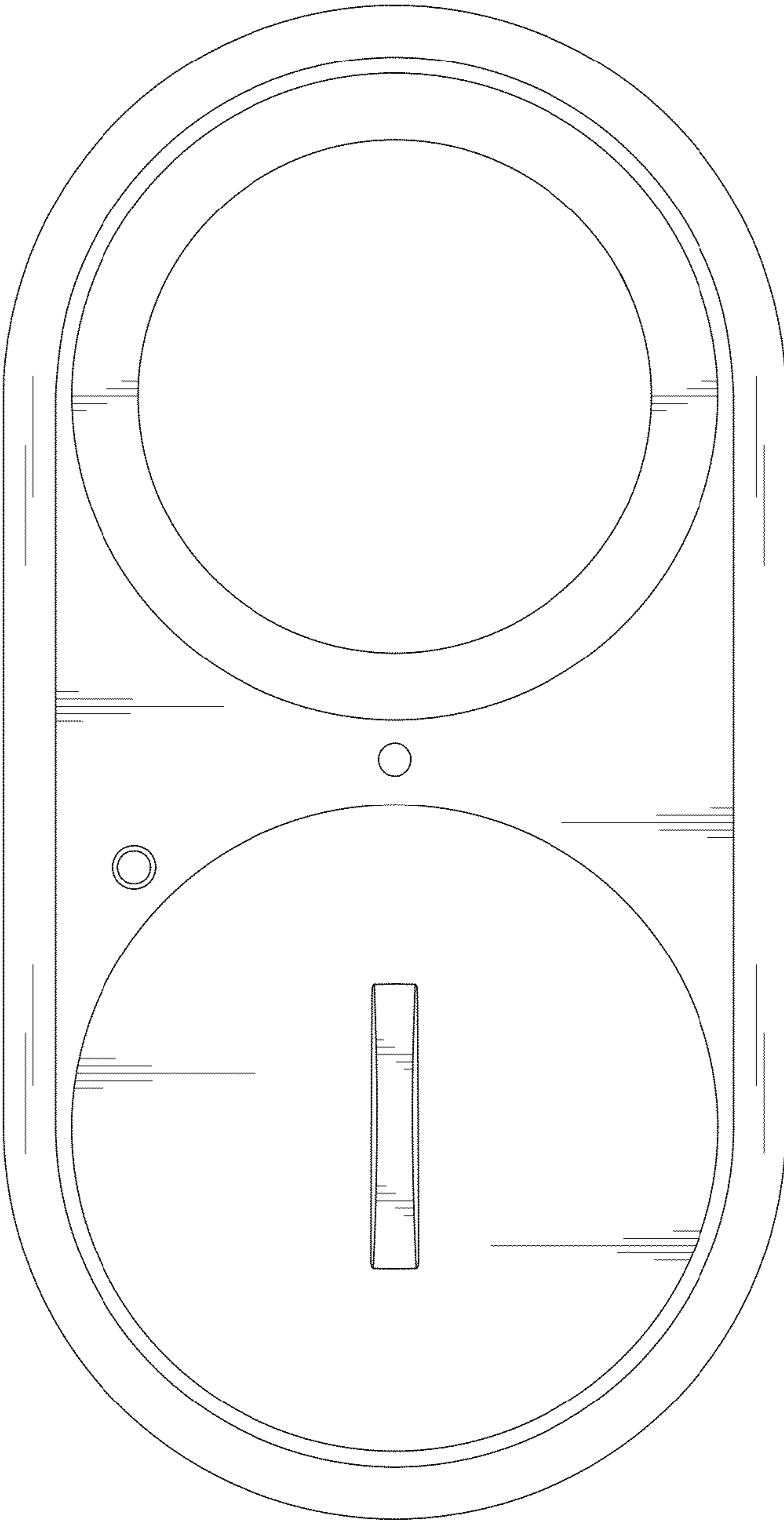


FIG. 4

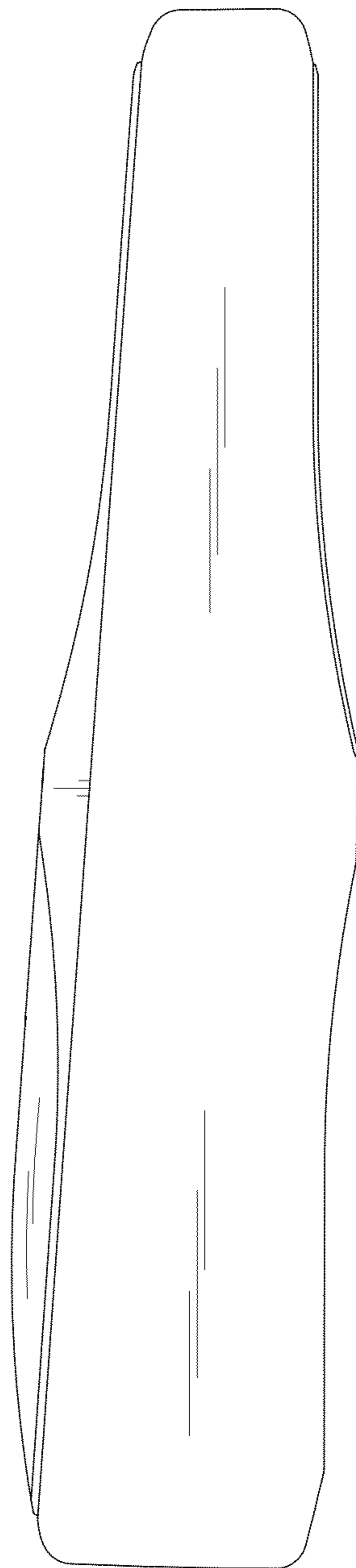


FIG. 5

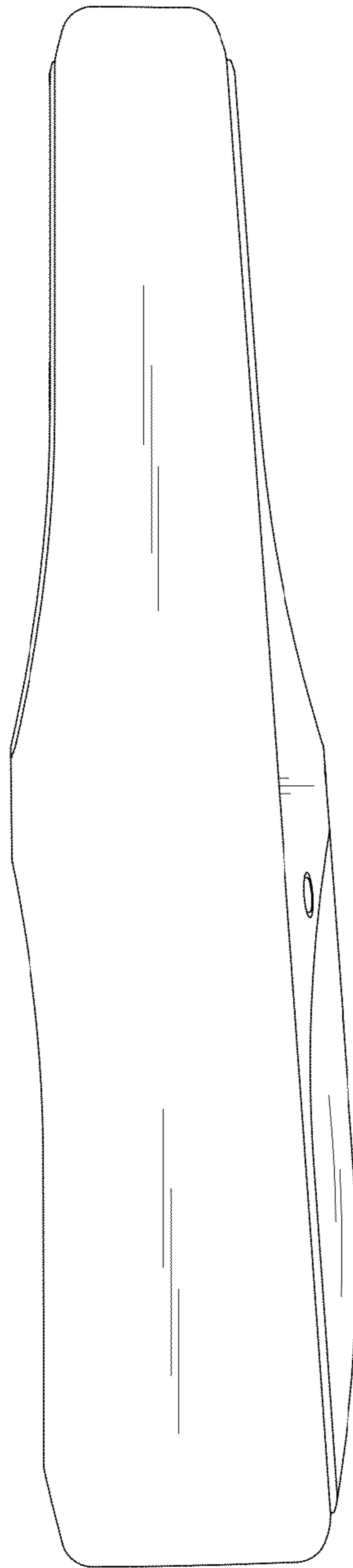


FIG. 6

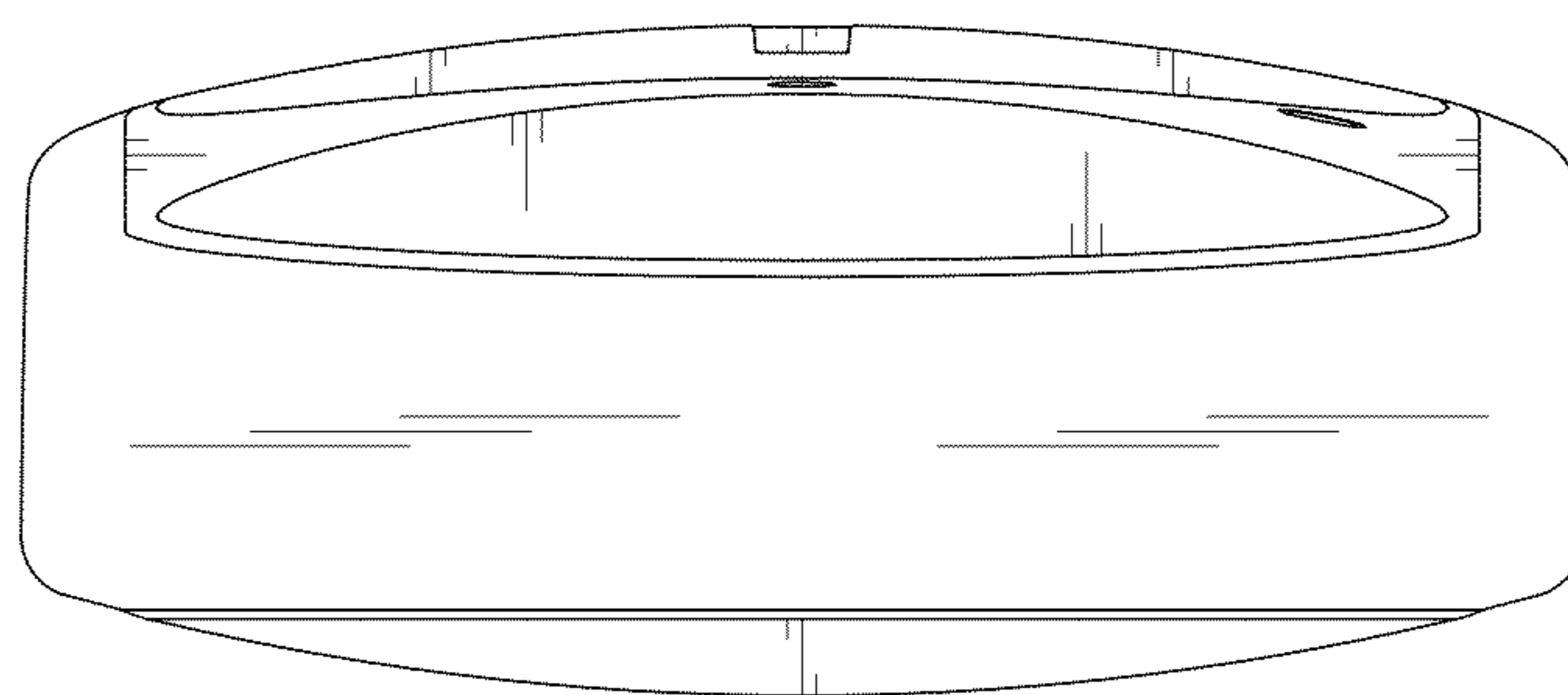


FIG. 7

