



US00D693331S

(12) **United States Design Patent**
Kim et al.

(10) **Patent No.:** **US D693,331 S**
(45) **Date of Patent:** **** Nov. 12, 2013**

(54) **REMOTE CONTROLLER FOR TELEVISION RECEIVERS**

(75) Inventors: **Yeon Jin Kim**, Seoul (KR); **Jun Ki Kim**, Seoul (KR); **Eun Bong Lee**, Seoul (KR)

(73) Assignee: **LG Electronics Inc.**, Seoul (KR)

(**) Term: **14 Years**

(21) Appl. No.: **29/407,088**

(22) Filed: **Nov. 22, 2011**

(30) **Foreign Application Priority Data**

Jun. 1, 2011 (KR) 30-2011-0022534

(51) **LOC (9) Cl.** **14-03**

(52) **U.S. Cl.**
USPC **D14/218**

(58) **Field of Classification Search**
USPC D14/218, 455; D13/168; D21/566;
D10/104, 106; 345/169; 348/14.05,
348/114, 211.99, 734; 340/825.24; 341/22;
455/92, 95, 128, 151.1-151.4, 352,
455/355, FOR. 121; 700/65

See application file for complete search history.

(56) **References Cited**

U.S. PATENT DOCUMENTS

D179,053 S * 10/1956 Baker D19/51
D182,162 S * 2/1958 Carreiro D19/51
D439,613 S * 3/2001 Ham D19/43
D453,792 S * 2/2002 Tung D19/43
D465,809 S * 11/2002 Deluca et al. D19/50
D485,576 S * 1/2004 Burden et al. D19/51

D487,772 S * 3/2004 Lin D19/47
D490,110 S * 5/2004 Qiu D19/51
D534,586 S * 1/2007 Togawa D19/50
D541,338 S * 4/2007 Wang D19/43
D541,861 S * 5/2007 Qiu D19/51
D552,680 S * 10/2007 Cetera D19/51
D554,183 S * 10/2007 Paulus et al. D19/53
D570,414 S * 6/2008 Qiu et al. D19/50
D590,017 S * 4/2009 Weaver et al. D19/43
D619,579 S * 7/2010 Flores Rodrigues
Vieira D14/411
D632,673 S * 2/2011 Isaias D14/218
D634,783 S * 3/2011 Papenfuss D19/51
D642,564 S * 8/2011 Busri et al. D14/358
D658,183 S * 4/2012 Avery D14/411
D674,440 S * 1/2013 Papenfuß D19/43
D674,795 S * 1/2013 Wilson et al. D14/411
2008/0062152 A1 * 3/2008 Byler et al. 345/179

* cited by examiner

Primary Examiner — John Windmuller

(74) *Attorney, Agent, or Firm* — Birch, Stewart, Kolasch & Birch, LLP

(57) **CLAIM**

We claim the ornamental design for a remote controller for television receivers, as shown and described.

DESCRIPTION

FIG. 1 is a perspective view of a remote controller for television receivers showing our new design;
FIG. 2 is a front elevation view thereof;
FIG. 3 is a rear elevation view thereof;
FIG. 4 is a left-side elevation view thereof;
FIG. 5 is a right-side elevation view thereof;
FIG. 6 is a top plan view thereof; and,
FIG. 7 is a bottom plan view thereof.

1 Claim, 4 Drawing Sheets

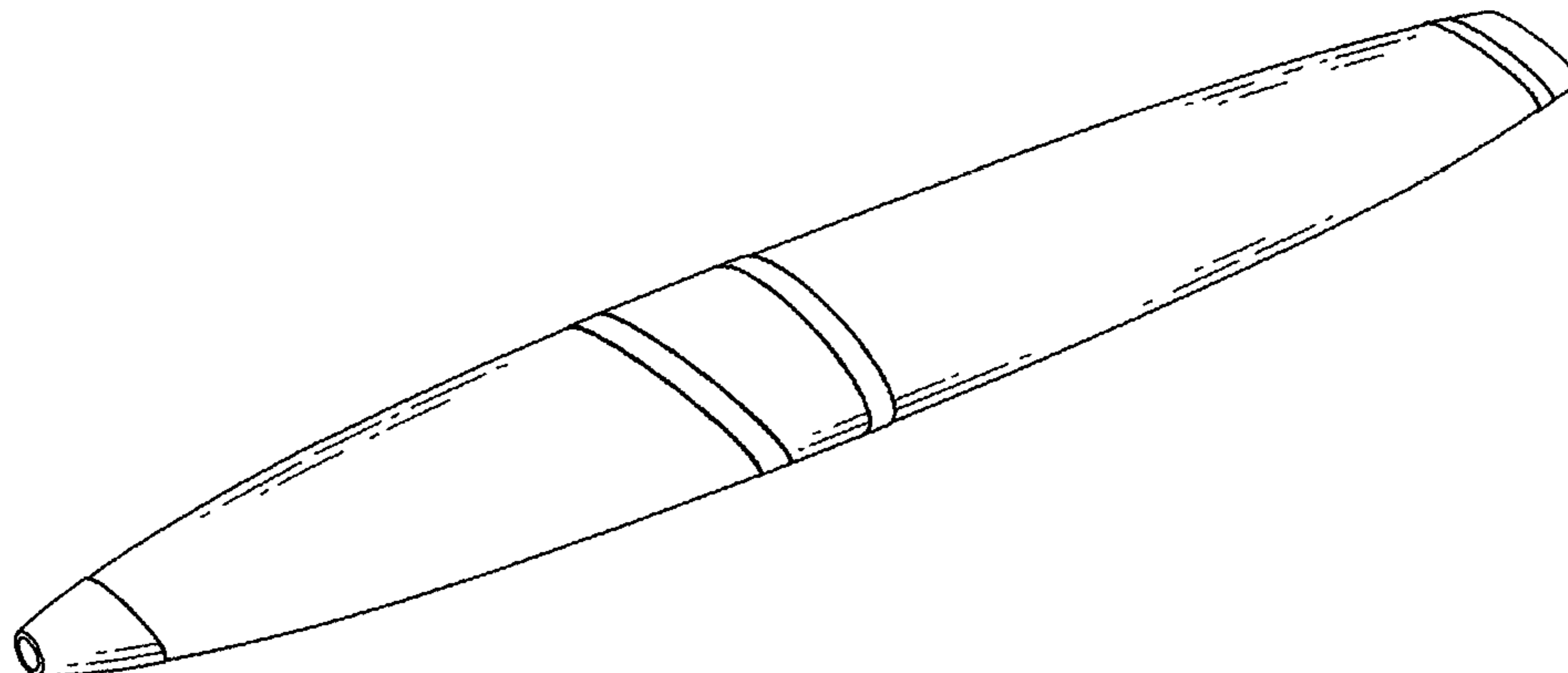


FIG. 1

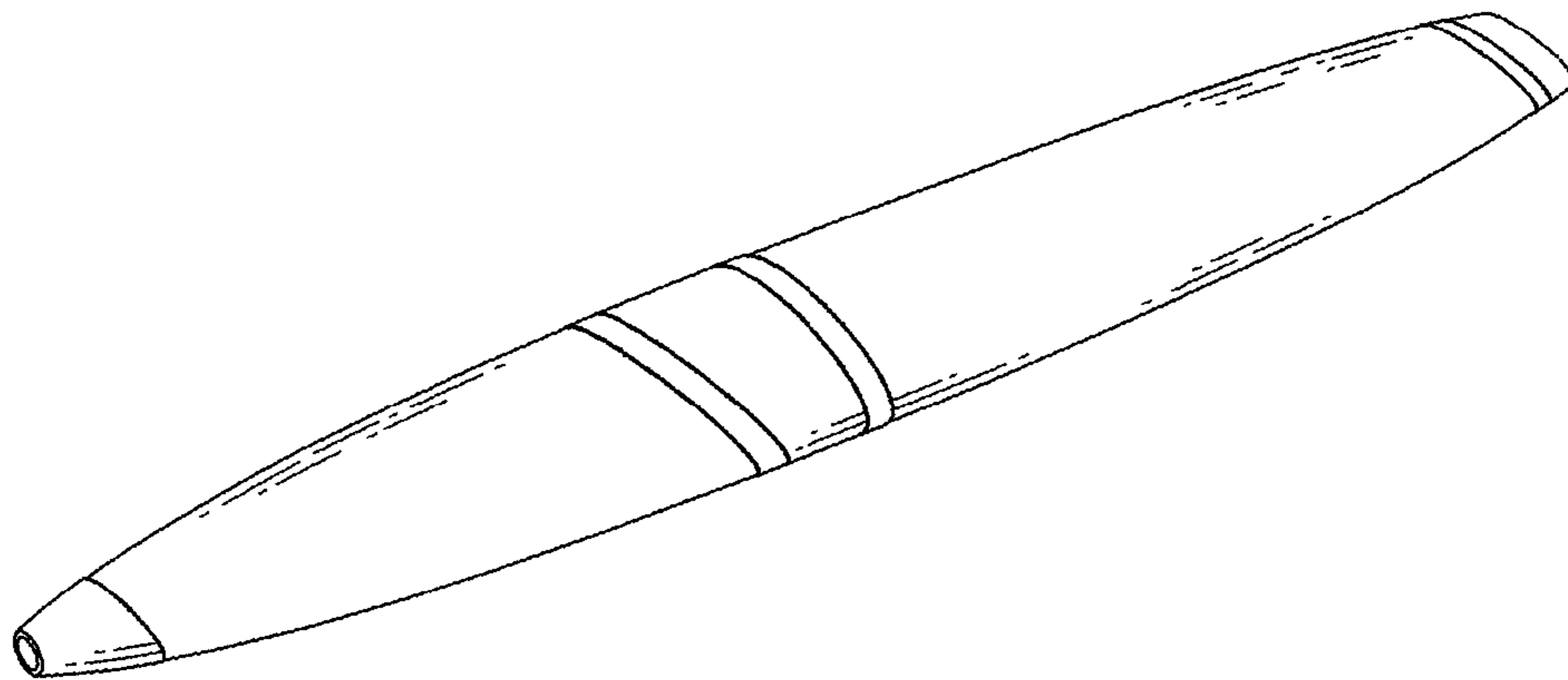


FIG. 2

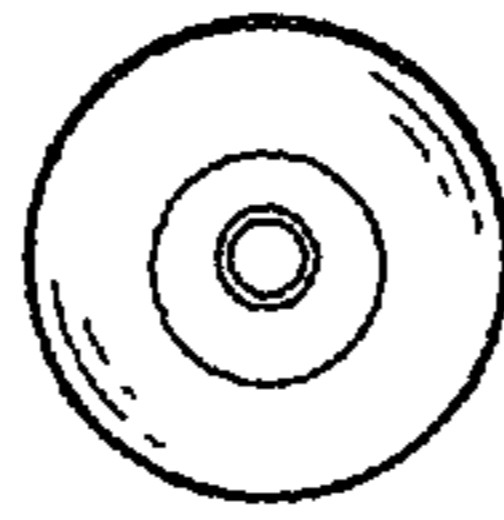


FIG. 3

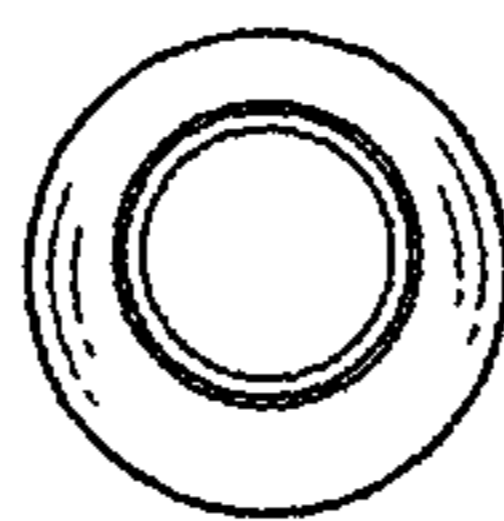


FIG. 4

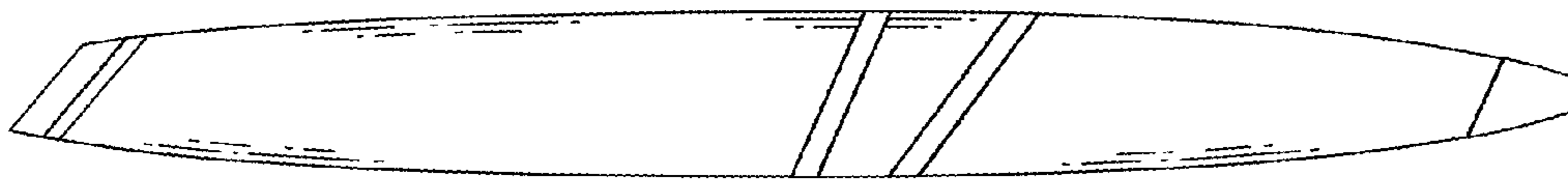


FIG. 5

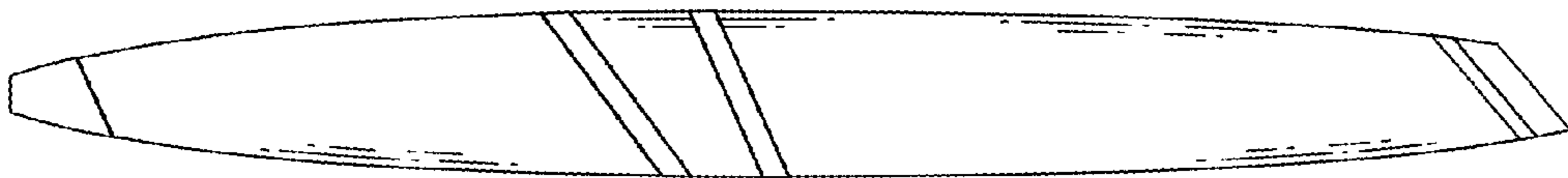


FIG. 6

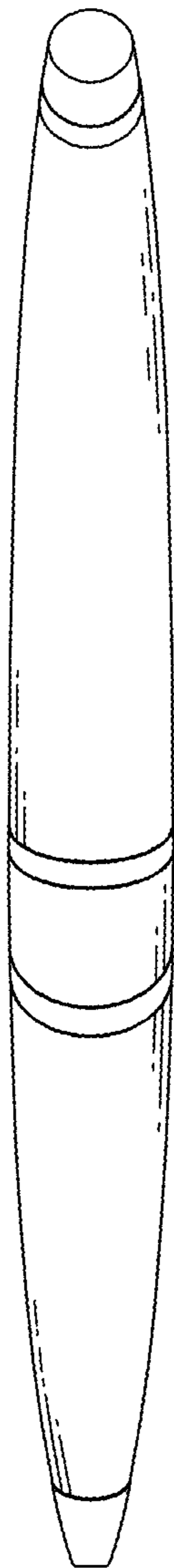


FIG. 7

