

US00D693329S

(12) **United States Design Patent**
Lee et al.

(10) **Patent No.:** **US D693,329 S**

(45) **Date of Patent:** **** Nov. 12, 2013**

(54) **WIRELESS SPEAKER**

(75) Inventors: **Noel Lee**, Las Vegas, NV (US);
Kendrew Lee, Tsing Yi (HK)

(73) Assignee: **Monster, LLC**, Las Vegas, NV (US)

(**) Term: **14 Years**

(21) Appl. No.: **29/410,238**

(22) Filed: **Jan. 5, 2012**

(51) **LOC (9) Cl.** **14-03**

(52) **U.S. Cl.**
USPC **D14/216**; D14/210

(58) **Field of Classification Search**
USPC D14/167, 168, 170–172, 188, 194–196,
D14/204, 207, 209.1, 210–216, 221, 222;
181/143, 144, 147, 148, 150, 153, 157,
181/198, 199; 381/300–303, 306, 332, 333,
381/336, 345, 361–364, 386–388;
D13/107, 108; 455/344–351; 369/6–12

See application file for complete search history.

(56) **References Cited**

U.S. PATENT DOCUMENTS

D100,488 S *	7/1936	Ciccarelli	D14/195
D395,432 S *	6/1998	Woolley et al.	D14/168
D542,272 S *	5/2007	Shiono	D14/214
D557,251 S *	12/2007	Nohara	D14/194
D563,386 S *	3/2008	Foster	D14/214
D578,105 S *	10/2008	Komiyama	D14/214
D578,107 S *	10/2008	Shimizu	D14/214

D612,868 S *	3/2010	Morabito	D14/496
D641,007 S *	7/2011	Skurdal	D14/214
D642,158 S *	7/2011	Skurdal	D14/214
8,125,577 B2	2/2012	Lee et al.		
D655,276 S *	3/2012	Joseph	D14/214
2005/0128743 A1 *	6/2005	Chuey et al.	362/234
2009/0128361 A1	5/2009	Lee et al.		

OTHER PUBLICATIONS

U.S. Appl. No. 29/405,096, filed Oct. 28, 2011, Noel Lee et al.
U.S. Appl. No. 29/405,099, filed Oct. 28, 2011, Noel Lee et al.
U.S. Appl. No. 29/405,101, filed Oct. 28, 2011, Noel Lee et al.

* cited by examiner

Primary Examiner — Keli L Hill

(74) *Attorney, Agent, or Firm* — LaRiviere, Grubman & Payne, LLP

(57) **CLAIM**

The ornamental design for a wireless speaker, as shown and described.

DESCRIPTION

FIG. 1 is a perspective view of a wireless speaker, showing our design;

FIG. 2 is front view thereof;

FIG. 3 is a rear view thereof;

FIG. 4 is a side view thereof;

FIG. 5 is an opposing side view thereof;

FIG. 6 is a top view thereof; and,

FIG. 7 is a bottom view thereof.

1 Claim, 4 Drawing Sheets

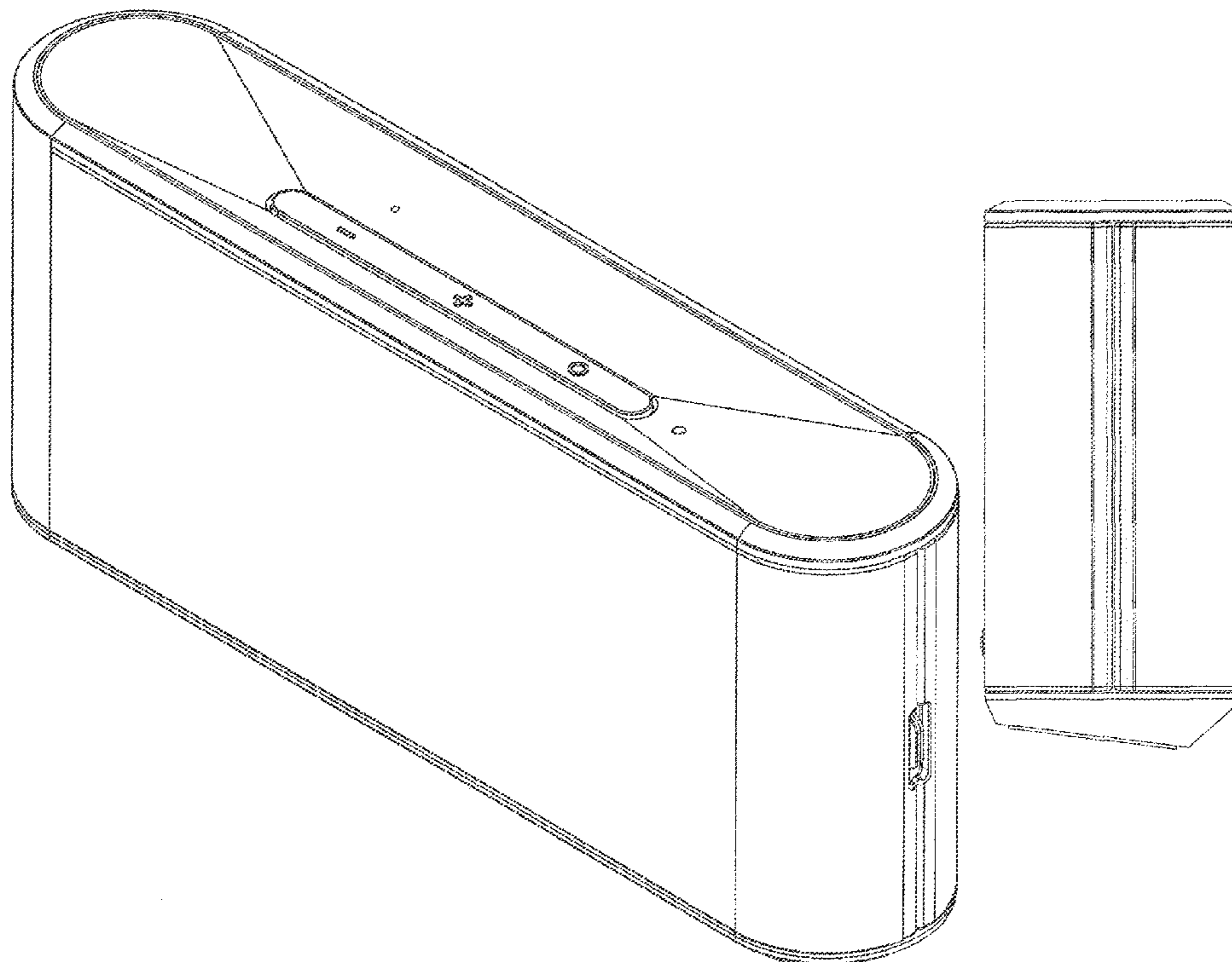




Figure 1

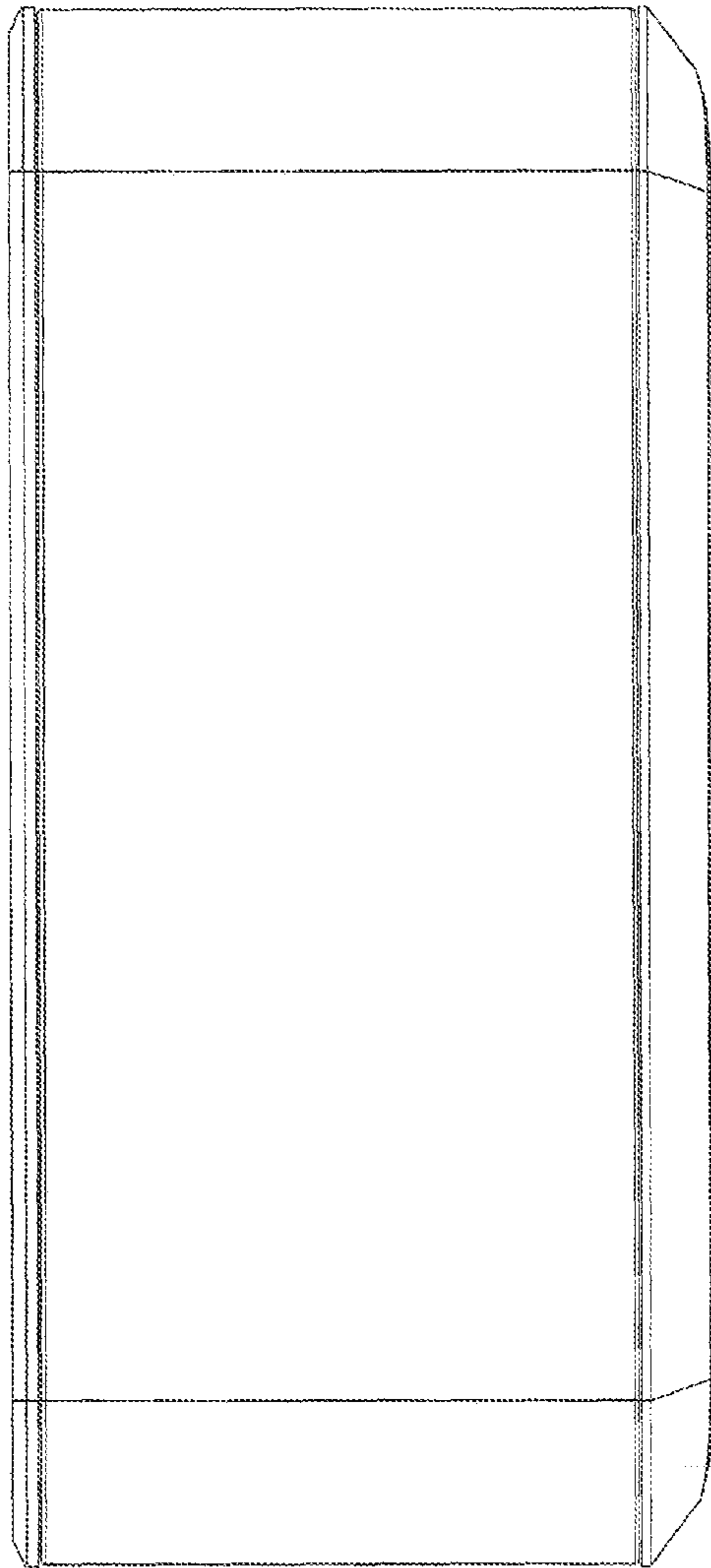


Figure 2

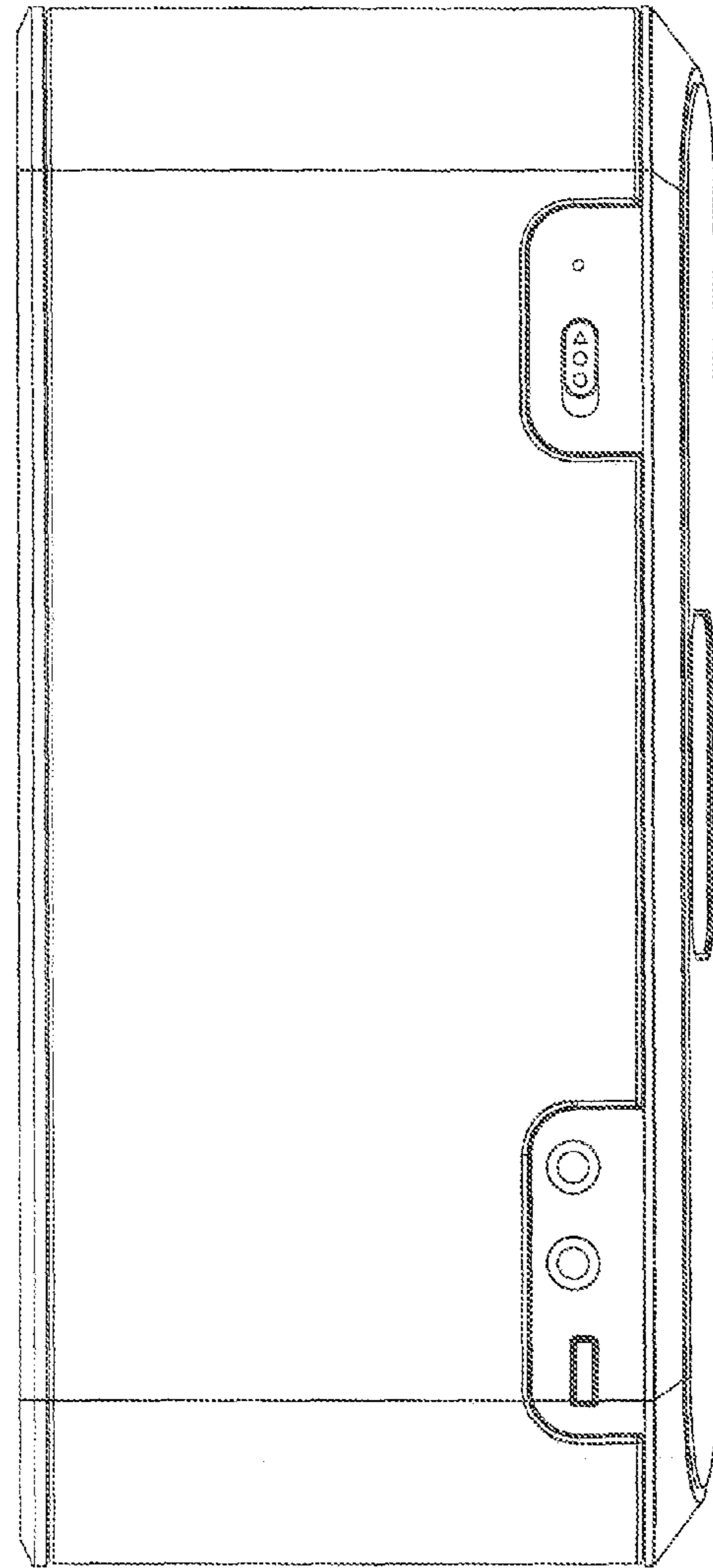


Figure 3

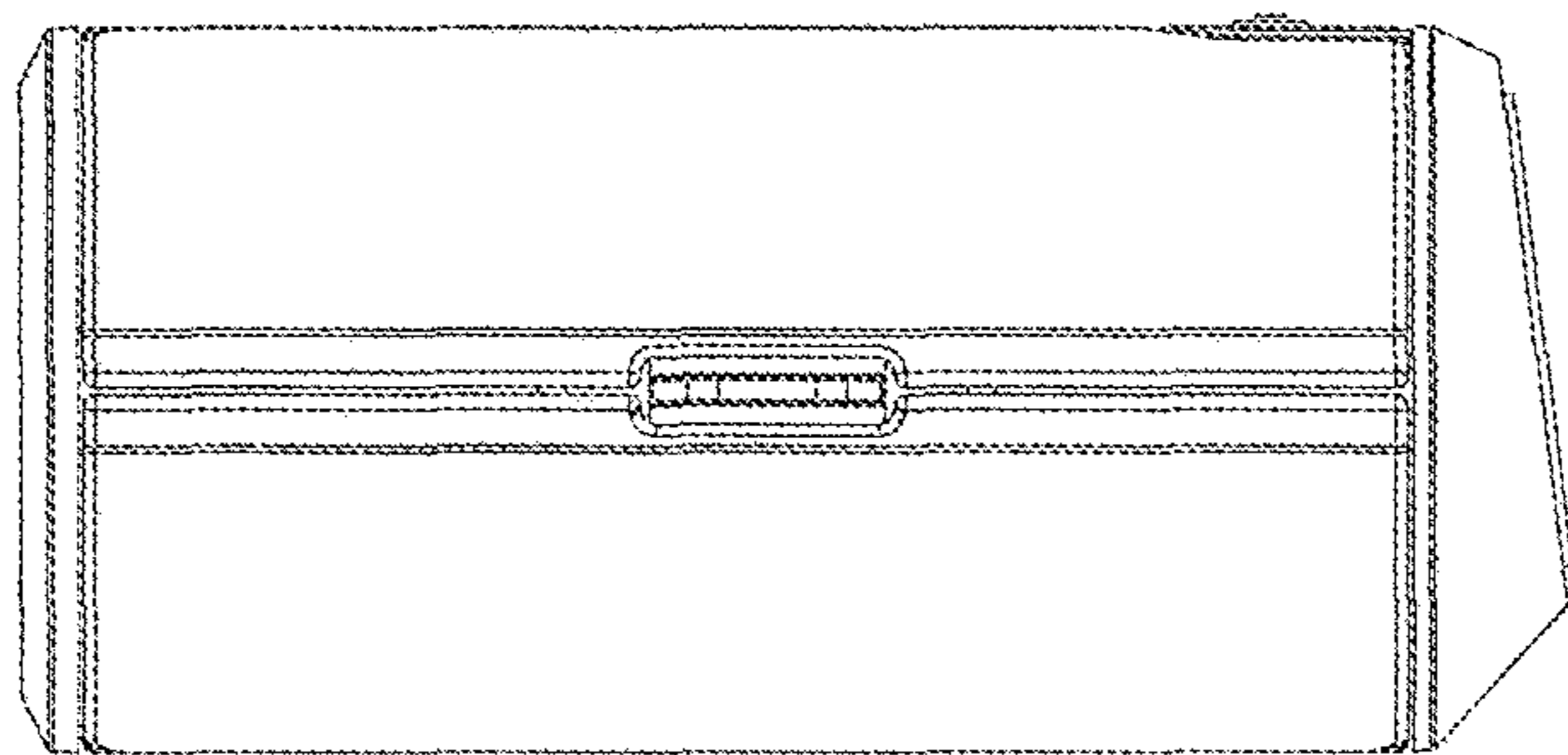


Figure 5

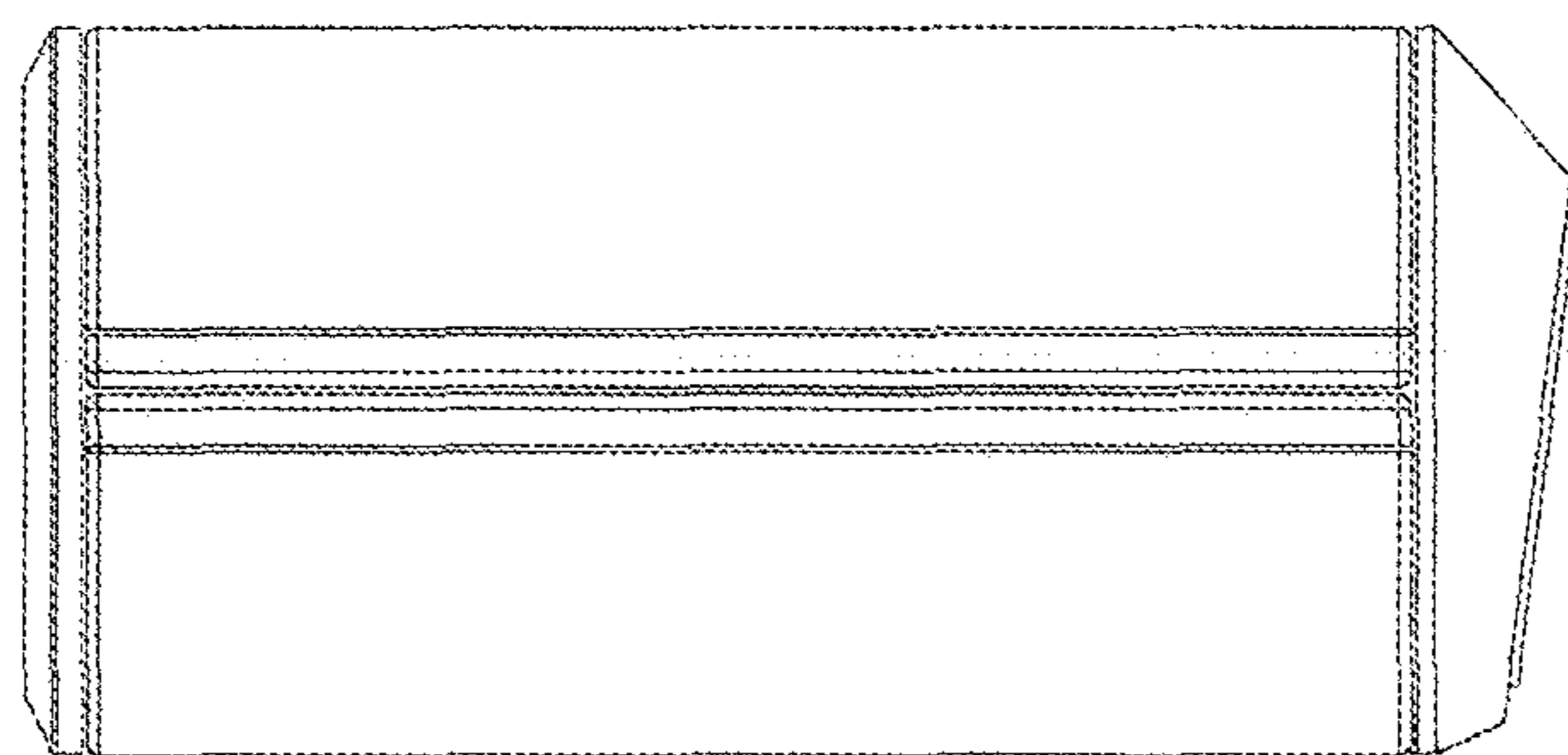


Figure 4

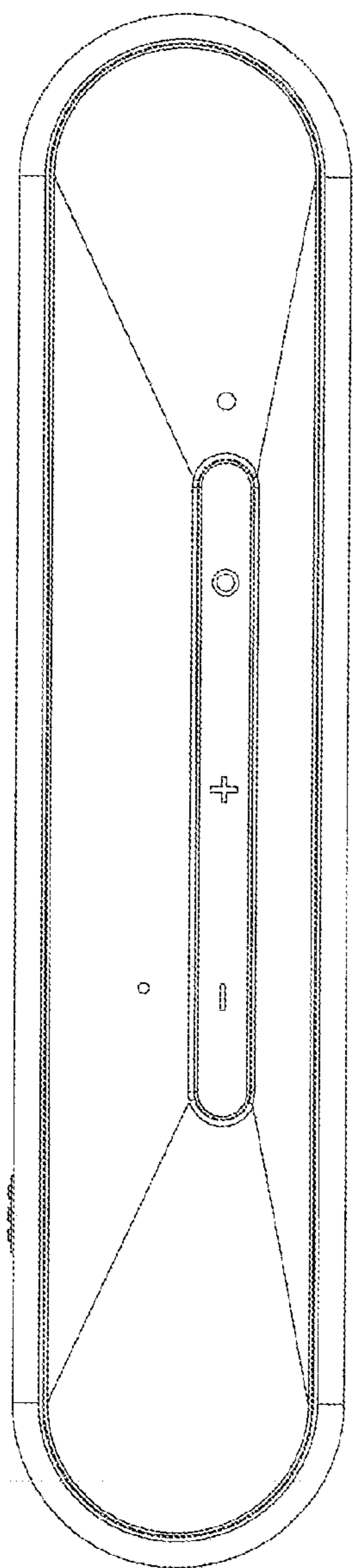


Figure 6

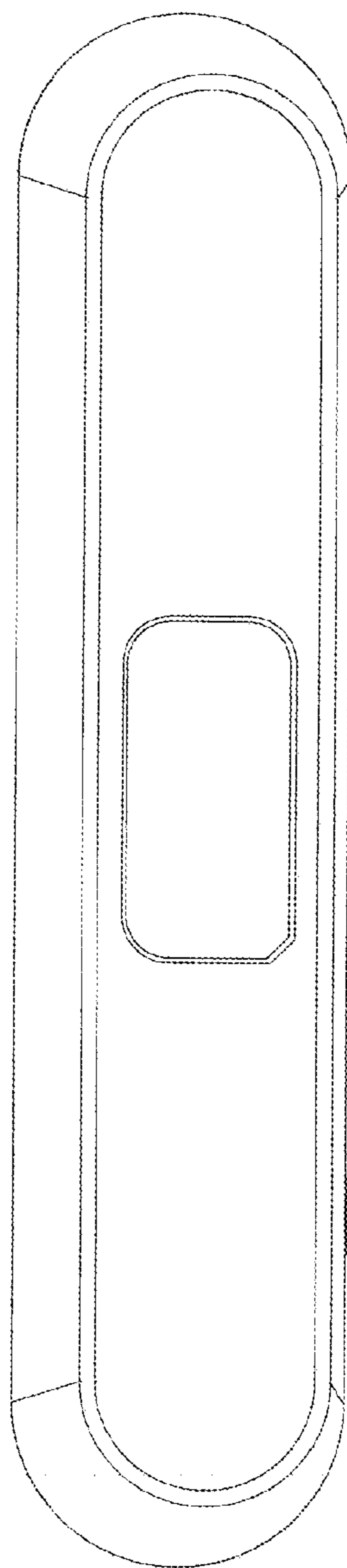


Figure 7