



US00D693328S

(12) **United States Design Patent**
Goetzen

(10) **Patent No.:** **US D693,328 S**

(45) **Date of Patent:** **** Nov. 12, 2013**

(54) **SPEAKER BOX**

(75) Inventor: **Mirko Goetzen**, Surrey (GB)

(73) Assignee: **Sony Corporation**, Tokyo (JP)

(**) Term: **14 Years**

(21) Appl. No.: **29/421,040**

(22) Filed: **May 9, 2012**

(30) **Foreign Application Priority Data**

Nov. 9, 2011 (JP) D2011-025869
Nov. 9, 2011 (JP) D2011-025870

(51) **LOC (9) Cl.** **14-01**

(52) **U.S. Cl.**
USPC **D14/209.1; D14/217**

(58) **Field of Classification Search**
USPC D14/204, 204.1, 210–216, 172, 434;
181/143, 144, 147, 148, 150–153, 157,
181/198, 199; 381/300–306, 332, 333, 336,
381/345, 361–364
See application file for complete search history.

(56) **References Cited**

U.S. PATENT DOCUMENTS

D442,160 S 5/2001 Tsuchiya
D465,474 S * 11/2002 Lum D14/217
D499,083 S 11/2004 Tanaka
D499,084 S * 11/2004 Tanaka D14/168
D514,090 S * 1/2006 Carbone et al. D14/209.1
7,095,867 B2 * 8/2006 Schul et al. 381/334

D552,774 S * 10/2007 Lee D26/38
D578,506 S 10/2008 Nakamura
D610,569 S * 2/2010 Fiebel et al. D14/209.1
D611,451 S * 3/2010 Wang et al. D14/209.1
7,689,197 B2 * 3/2010 Laude et al. 455/344
D621,813 S * 8/2010 Wang et al. D14/209.1
D633,474 S * 3/2011 Ohashi D14/209.1
D639,271 S 6/2011 Xiao
D677,651 S * 3/2013 Kim D14/209.1

* cited by examiner

Primary Examiner — Prabhakar Deshmukh

(74) *Attorney, Agent, or Firm* — Rader, Fishman & Grauer PLLC

(57) **CLAIM**

The ornamental design for a speaker box, as shown and described.

DESCRIPTION

FIG. 1 is a front elevational view of a first embodiment of a speaker box showing my new design; FIG. 2 is a rear elevational view thereof; FIG. 3 is a left side elevational view thereof; FIG. 4 is a right side elevational view thereof; and FIG. 5 is a bottom plan view thereof. FIG. 6 is a front elevational view of a second embodiment of a speaker box showing my new design; FIG. 7 is a rear elevational view thereof; FIG. 8 is a left side elevational view thereof; FIG. 9 is a right side elevational view thereof; and FIG. 10 is a bottom plan view thereof. Portions in broken lines are for illustrative purpose only and form no part of the claimed design.

1 Claim, 8 Drawing Sheets

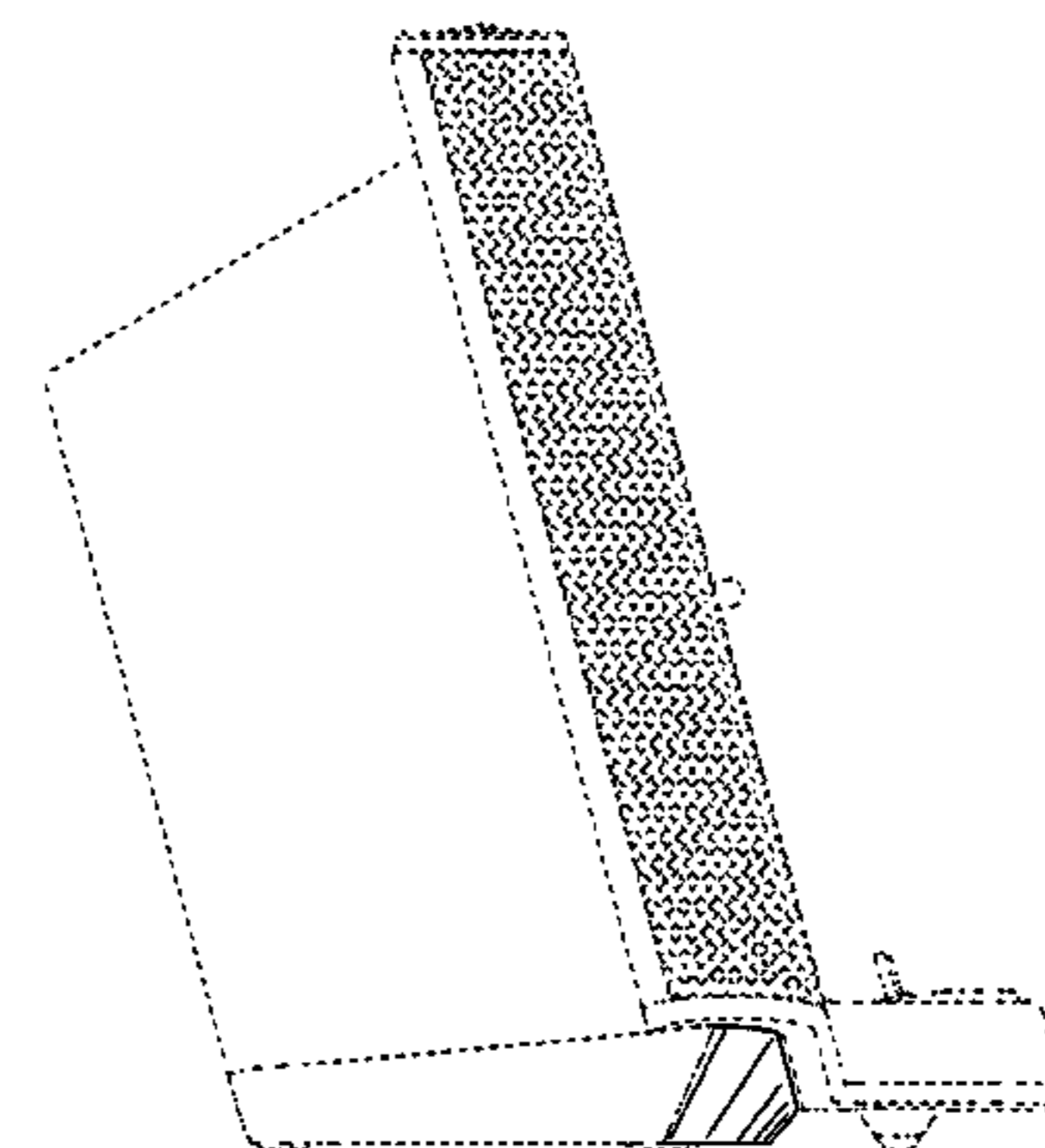
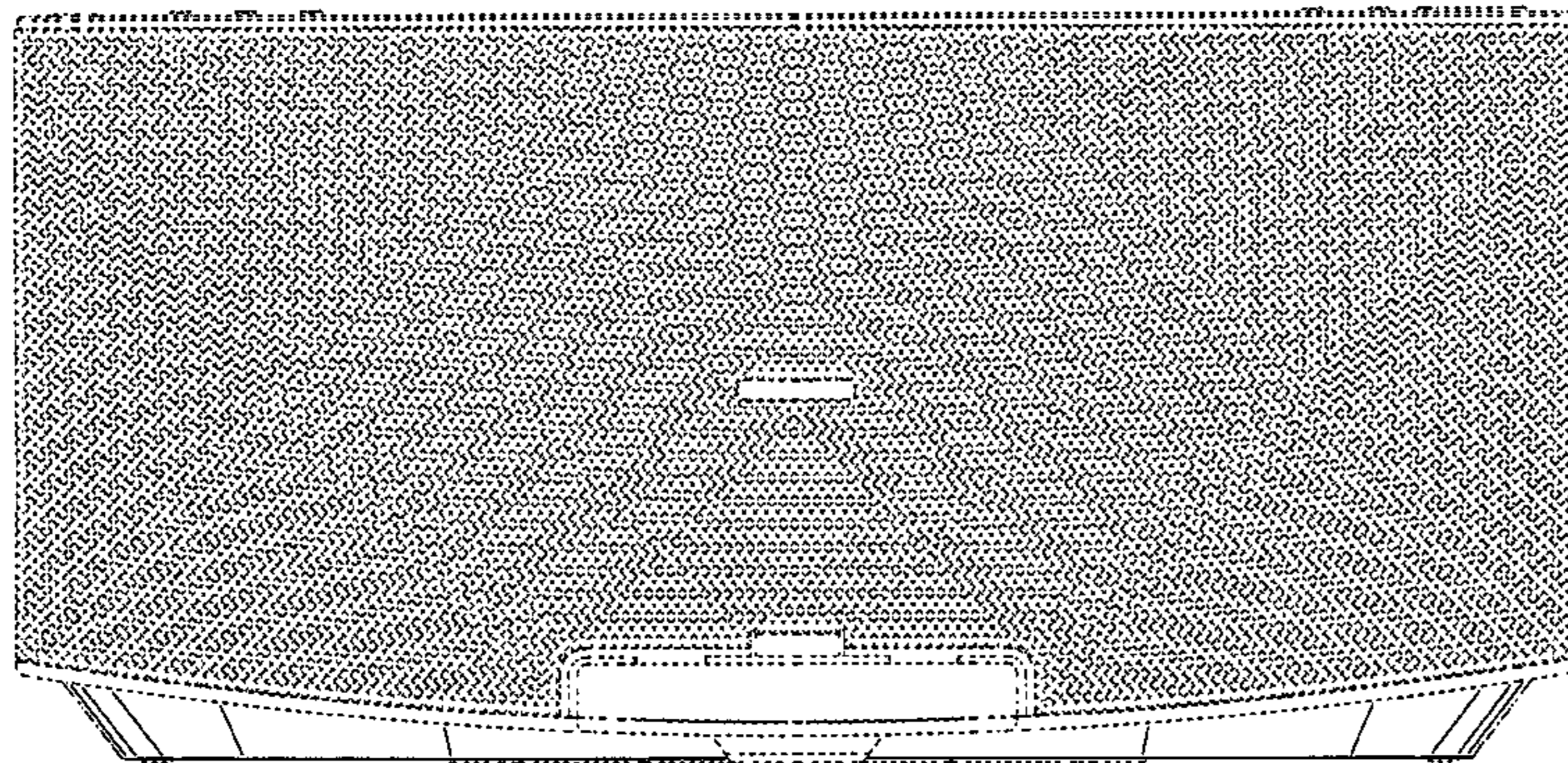


FIG.1

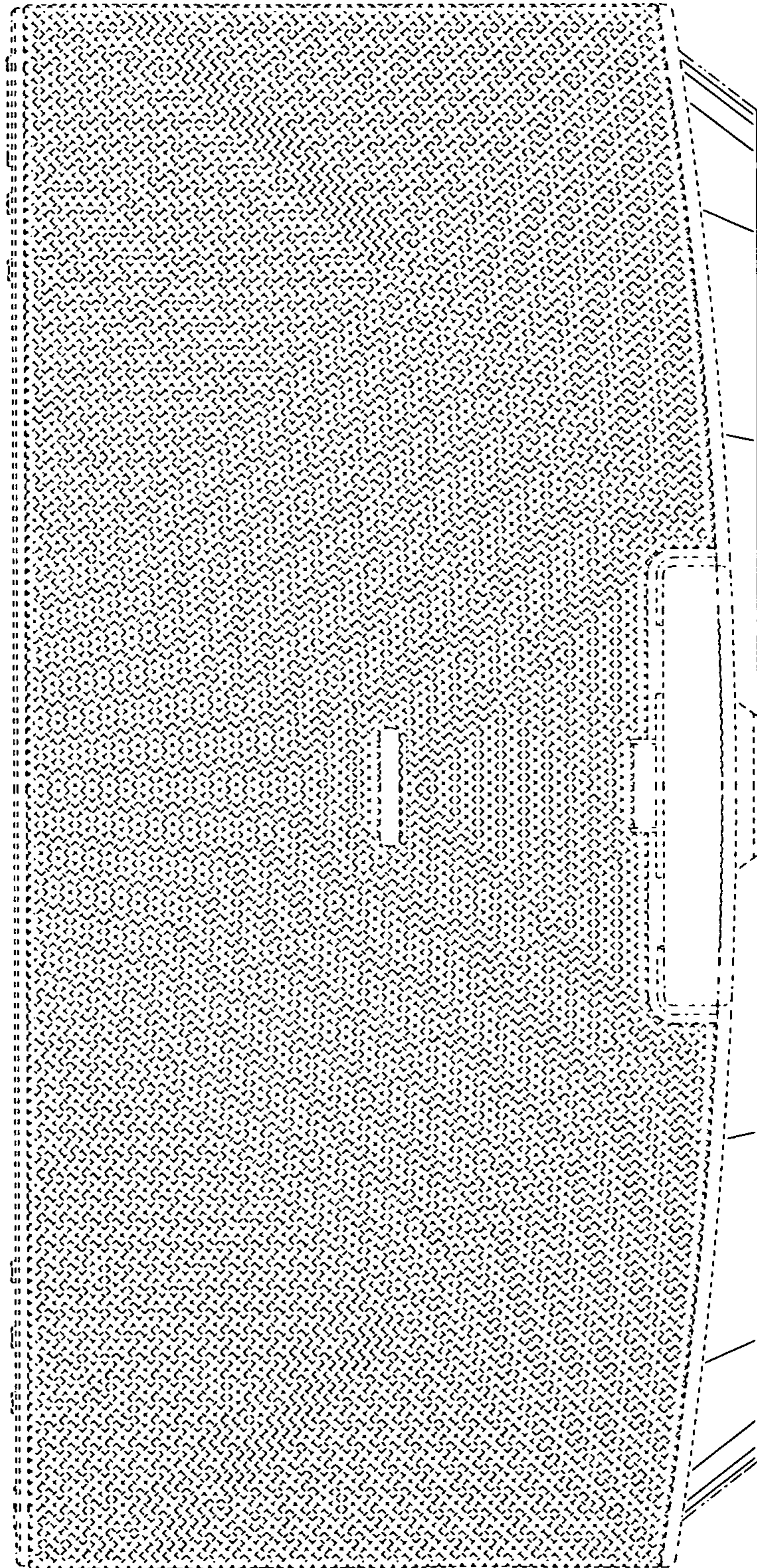


FIG.2

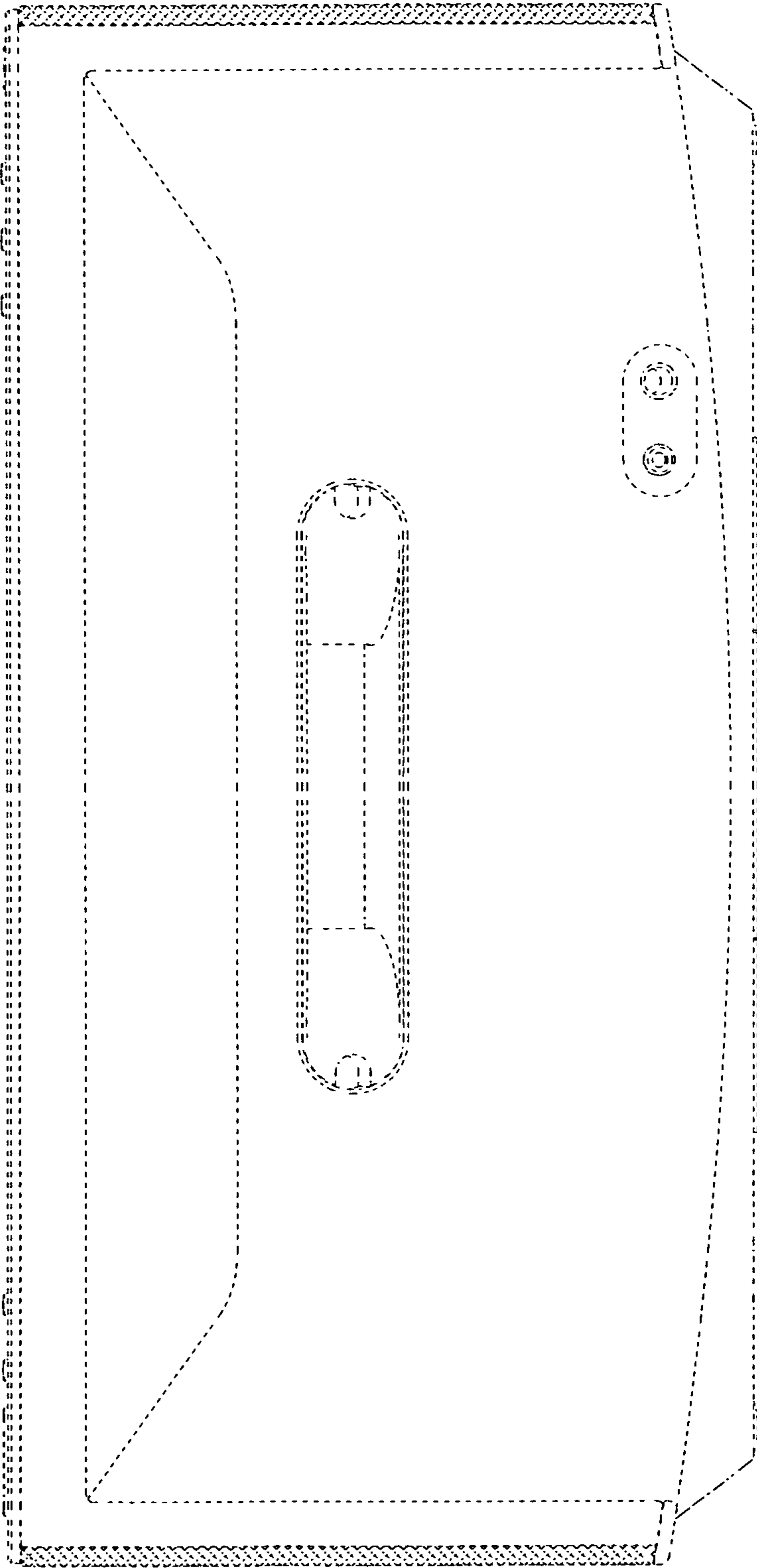


FIG.4

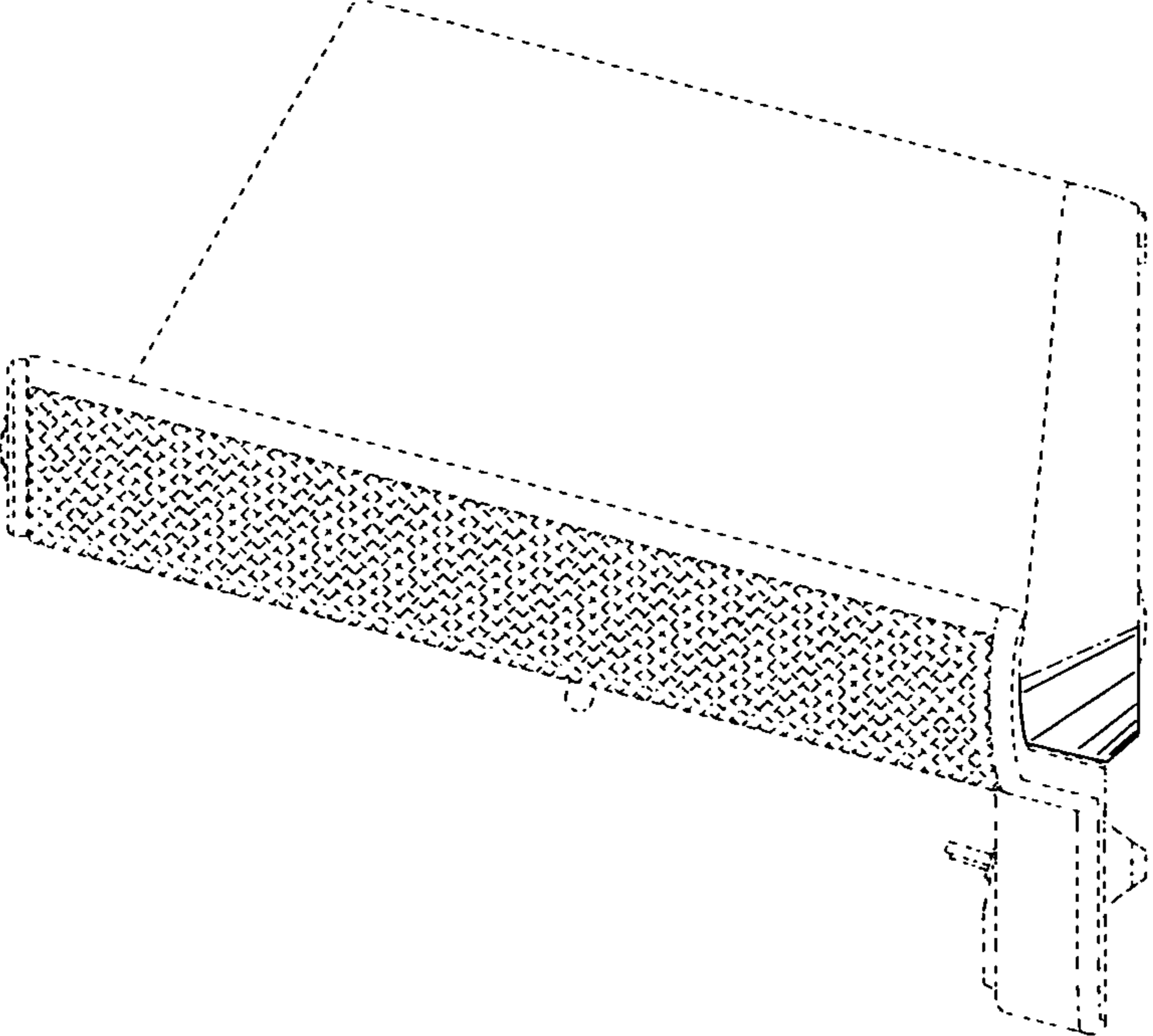


FIG.3

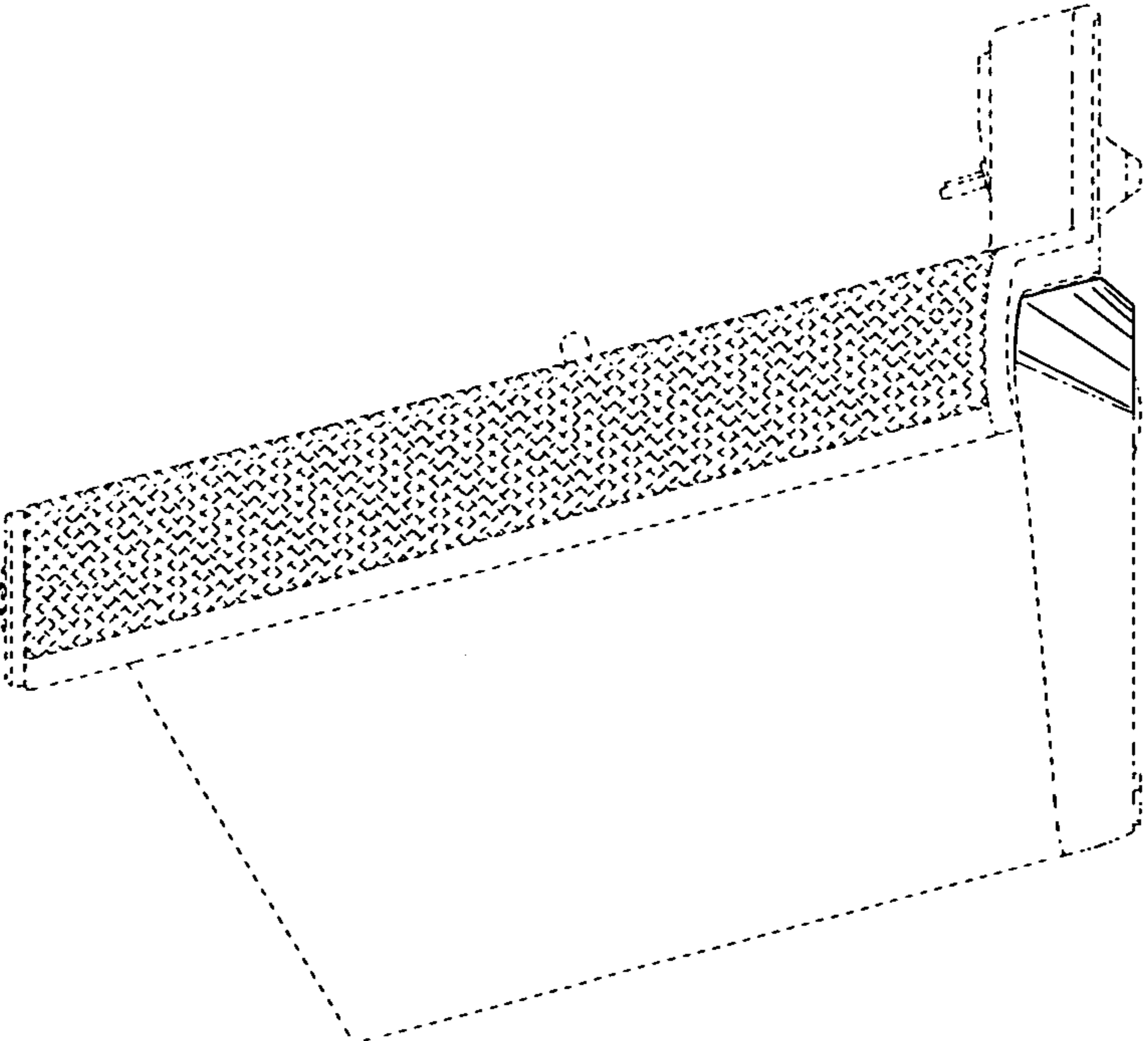


FIG.5

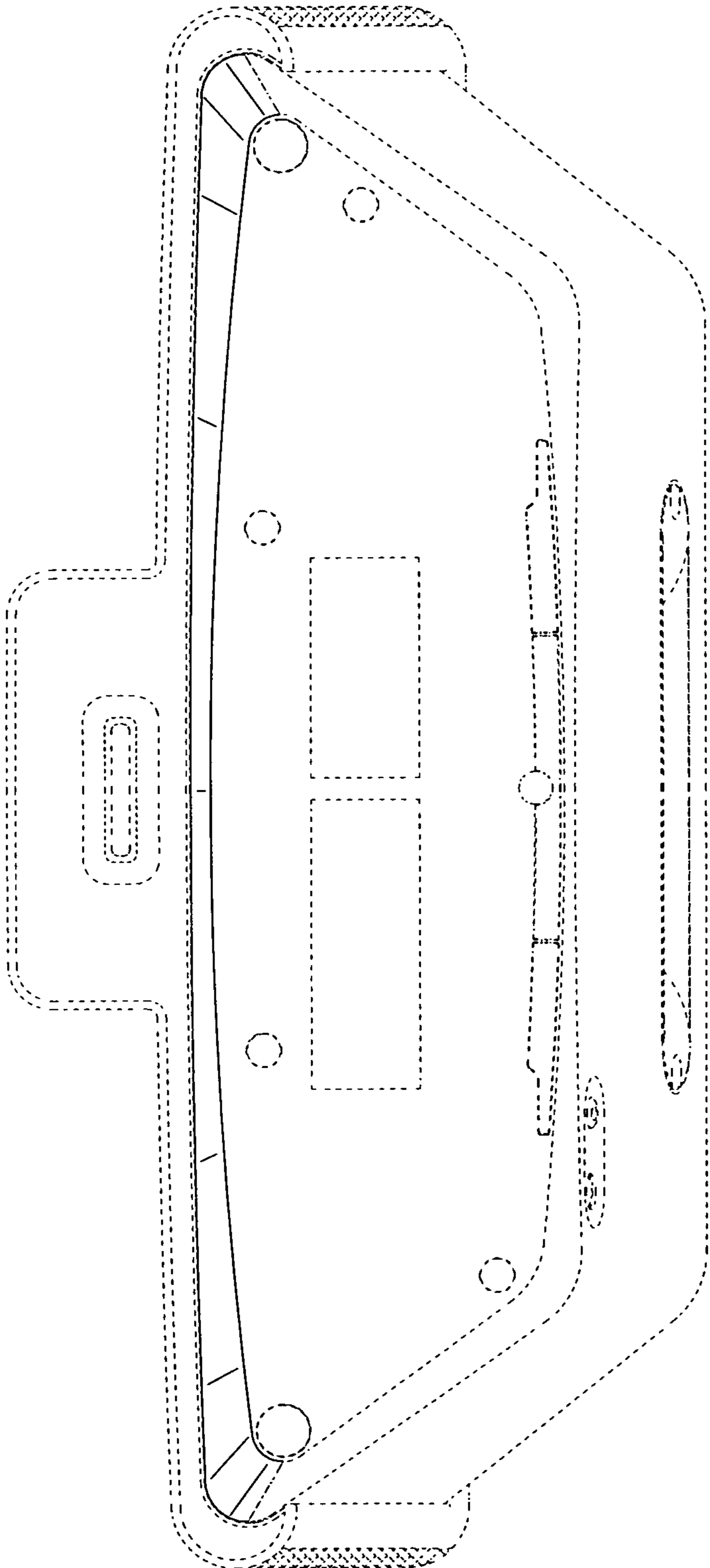


FIG.6

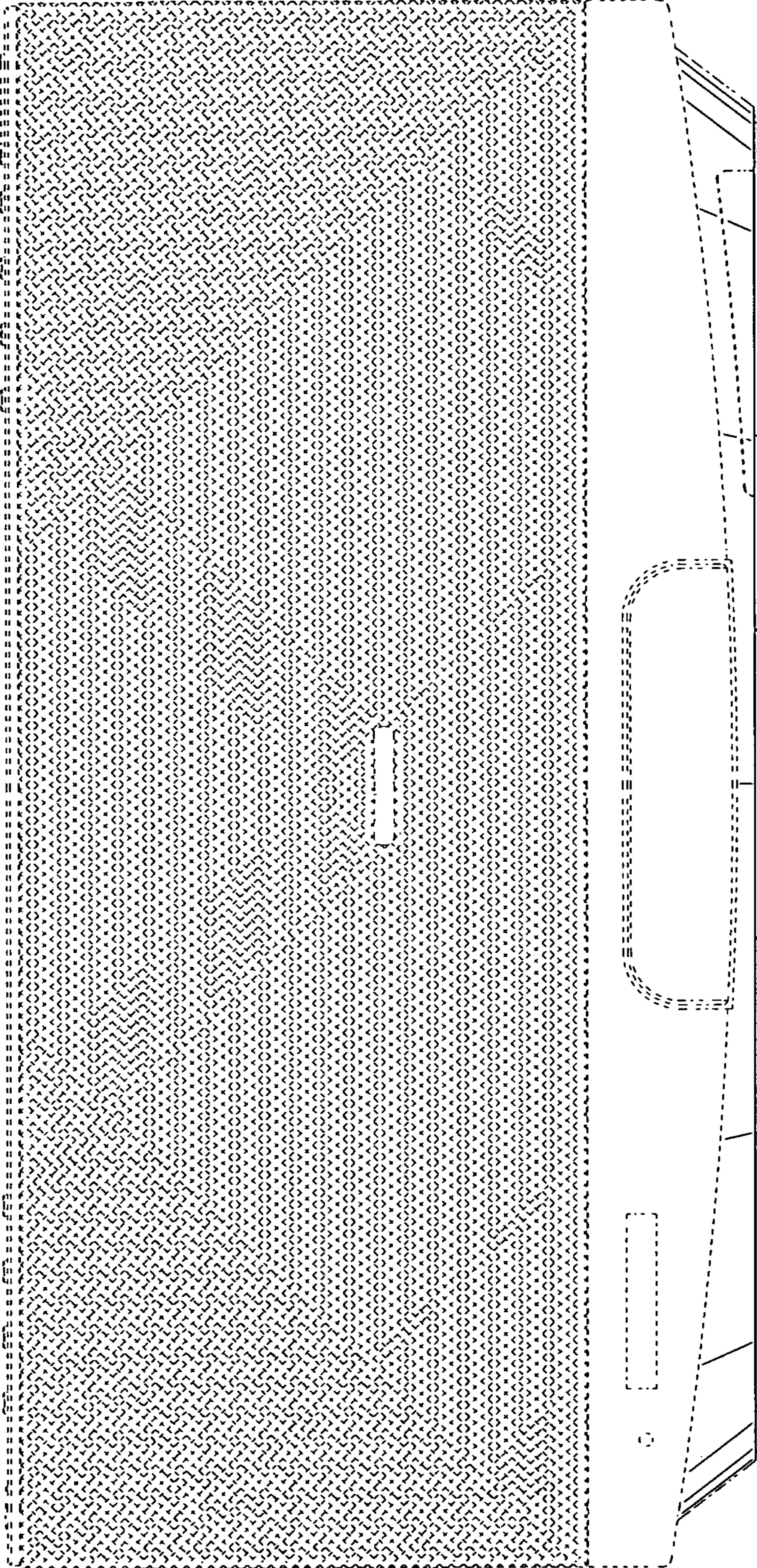


FIG.7

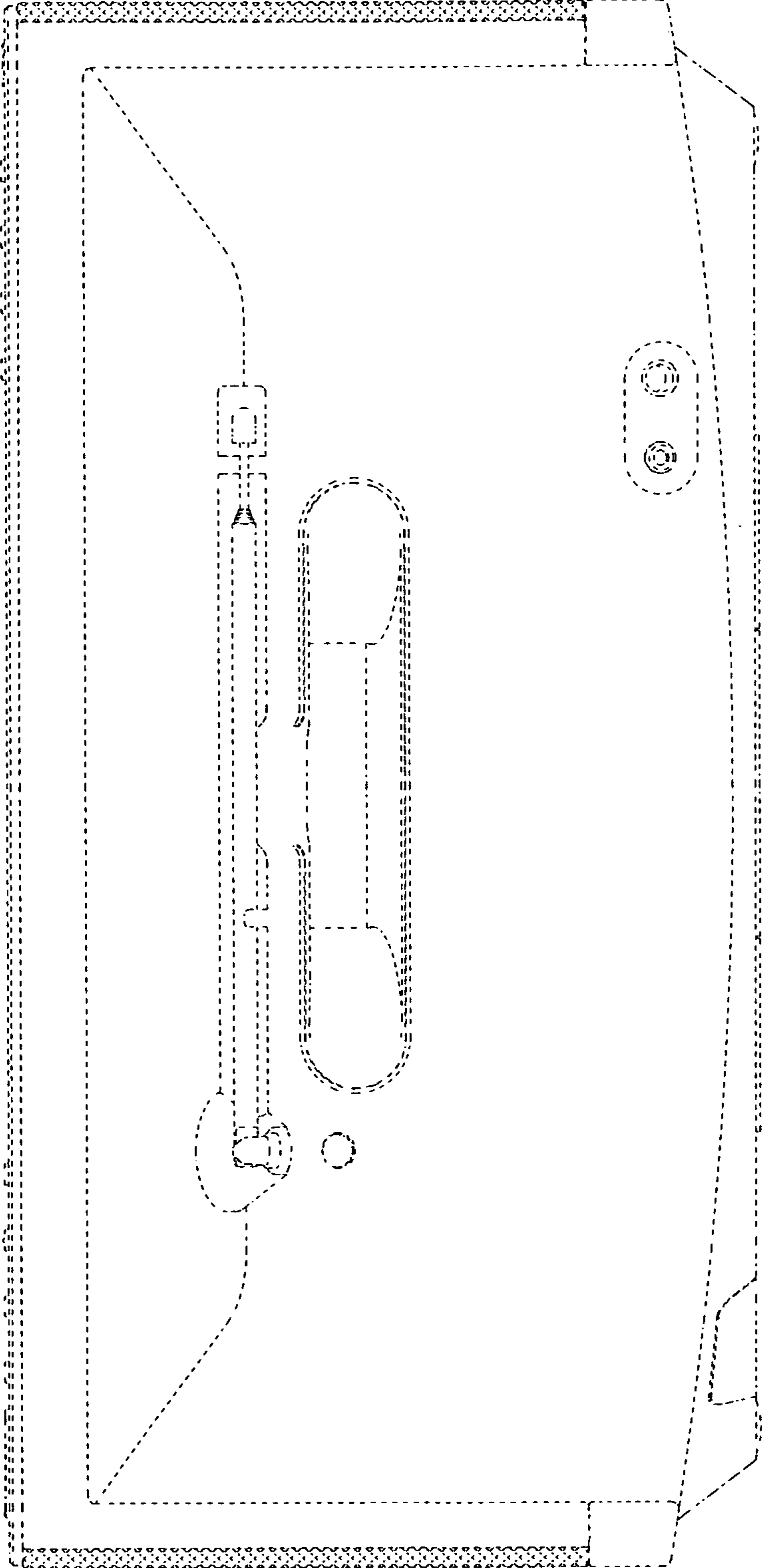


FIG.9

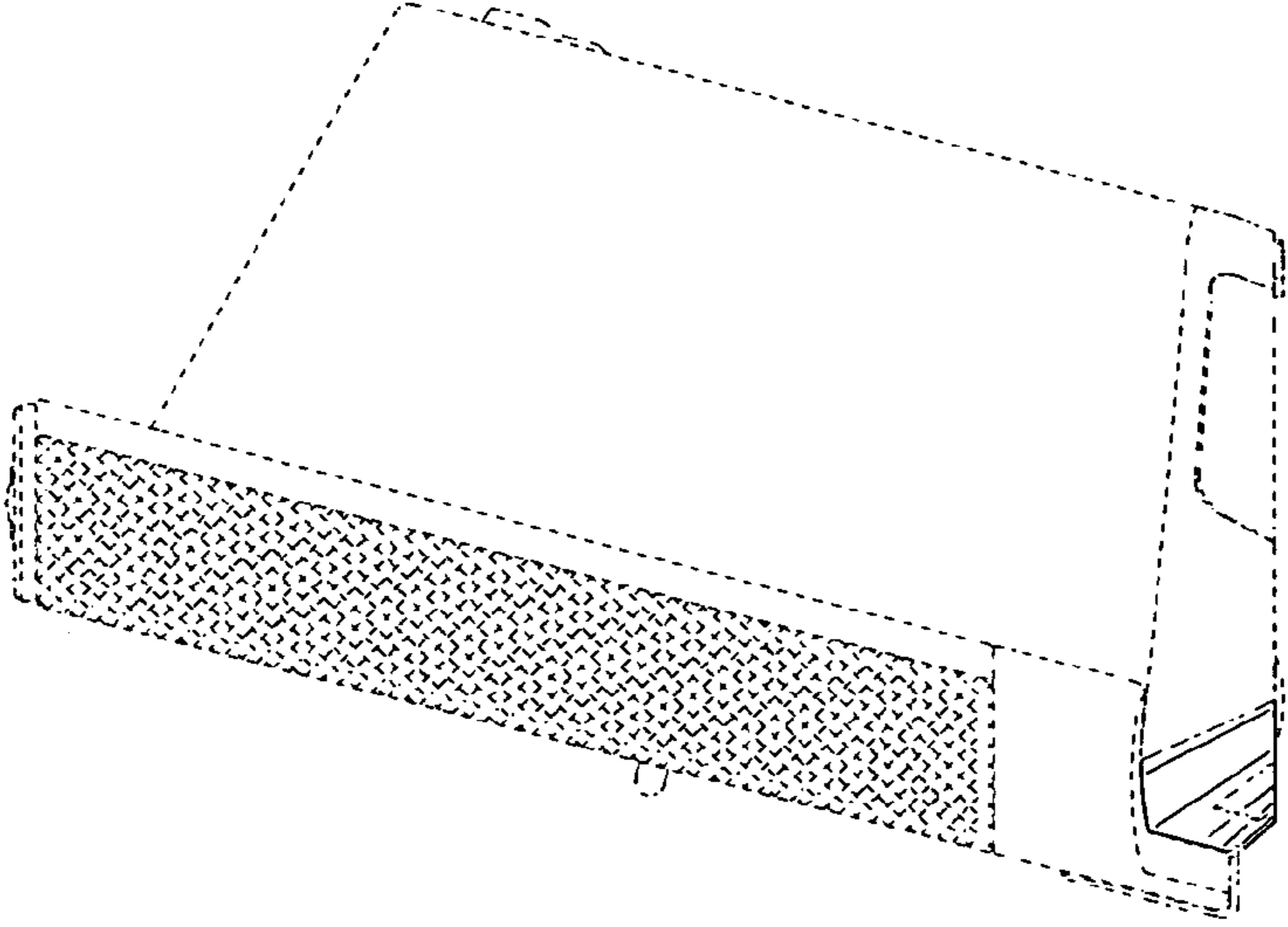


FIG.8

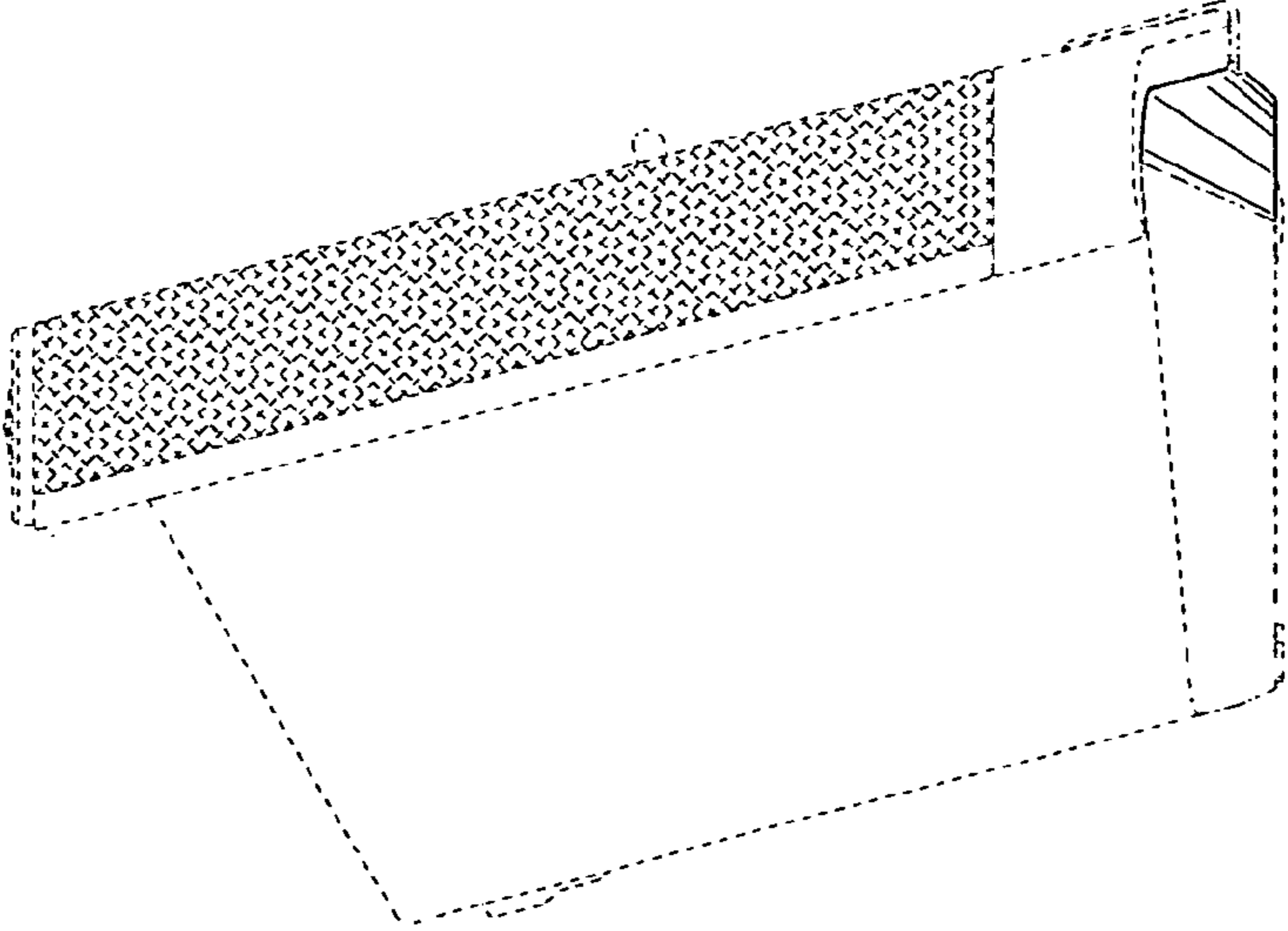


FIG.10

