

US00D693317S

(12) **United States Design Patent**
Kobayashi et al.

(10) **Patent No.:** **US D693,317 S**
(45) **Date of Patent:** **** Nov. 12, 2013**

(54) **LIGHT-EMITTING DIODE**
(71) Applicant: **Kabushiki Kaisha Toshiba**, Tokyo (JP)
(72) Inventors: **Mitsuhiro Kobayashi**, Yokohama (JP);
Nozomu Takahashi, Ayase (JP)
(73) Assignee: **Kabushiki Kaisha Toshiba** (JP)
(**) Term: **14 Years**
(21) Appl. No.: **29/438,233**
(22) Filed: **Nov. 28, 2012**

(30) **Foreign Application Priority Data**
May 29, 2012 (JP) 2012-012607
(51) **LOC (9) Cl.** **13-03**
(52) **U.S. Cl.**
USPC **D13/180**
(58) **Field of Classification Search**
USPC D13/180; D26/1; 257/79, 80, 81, 88,
257/89, 95, 98, 99, 100, E33.058; 313/483,
313/498, 500; 362/555, 800
See application file for complete search history.

(56) **References Cited**
U.S. PATENT DOCUMENTS
6,498,355 B1 * 12/2002 Harrah et al. 257/99
6,936,855 B1 * 8/2005 Harrah 257/88
D517,025 S * 3/2006 Asakawa D13/180
D571,315 S * 6/2008 Oon et al. D13/180
D598,871 S * 8/2009 Eberle et al. D13/180
D615,504 S * 5/2010 Keller et al. D13/180
7,772,604 B2 * 8/2010 Duong et al. 257/95
7,855,395 B2 * 12/2010 Lee et al. 257/99
D631,020 S * 1/2011 Chuang et al. D13/180
7,906,788 B2 * 3/2011 Nagai 257/88
D637,565 S * 5/2011 Wu et al. D13/180
D640,643 S * 6/2011 Hsieh D13/180

D642,143 S * 7/2011 Kuwaharada et al. D13/180
D647,865 S * 11/2011 Miyashita D13/180
D650,343 S * 12/2011 Andrews et al. D13/180
D651,989 S * 1/2012 Lin D13/180
8,119,534 B2 * 2/2012 Tanaka et al. 438/734
D674,361 S * 1/2013 Lin et al. D13/180
D674,362 S * 1/2013 Lin et al. D13/180
D680,504 S * 4/2013 Noichi D13/180
D681,573 S * 5/2013 Andrews et al. D13/182
2009/0039381 A1 * 2/2009 Kim et al. 257/99
2009/0108281 A1 * 4/2009 Keller et al. 257/98
2010/0252851 A1 * 10/2010 Emerson et al. 257/98
2011/0024786 A1 * 2/2011 Sugiyama 257/99
2011/0062482 A1 * 3/2011 Solomensky et al. 257/99

(Continued)

FOREIGN PATENT DOCUMENTS

CN 200830120327.8 7/2009
JP 1239573 5/2005

(Continued)

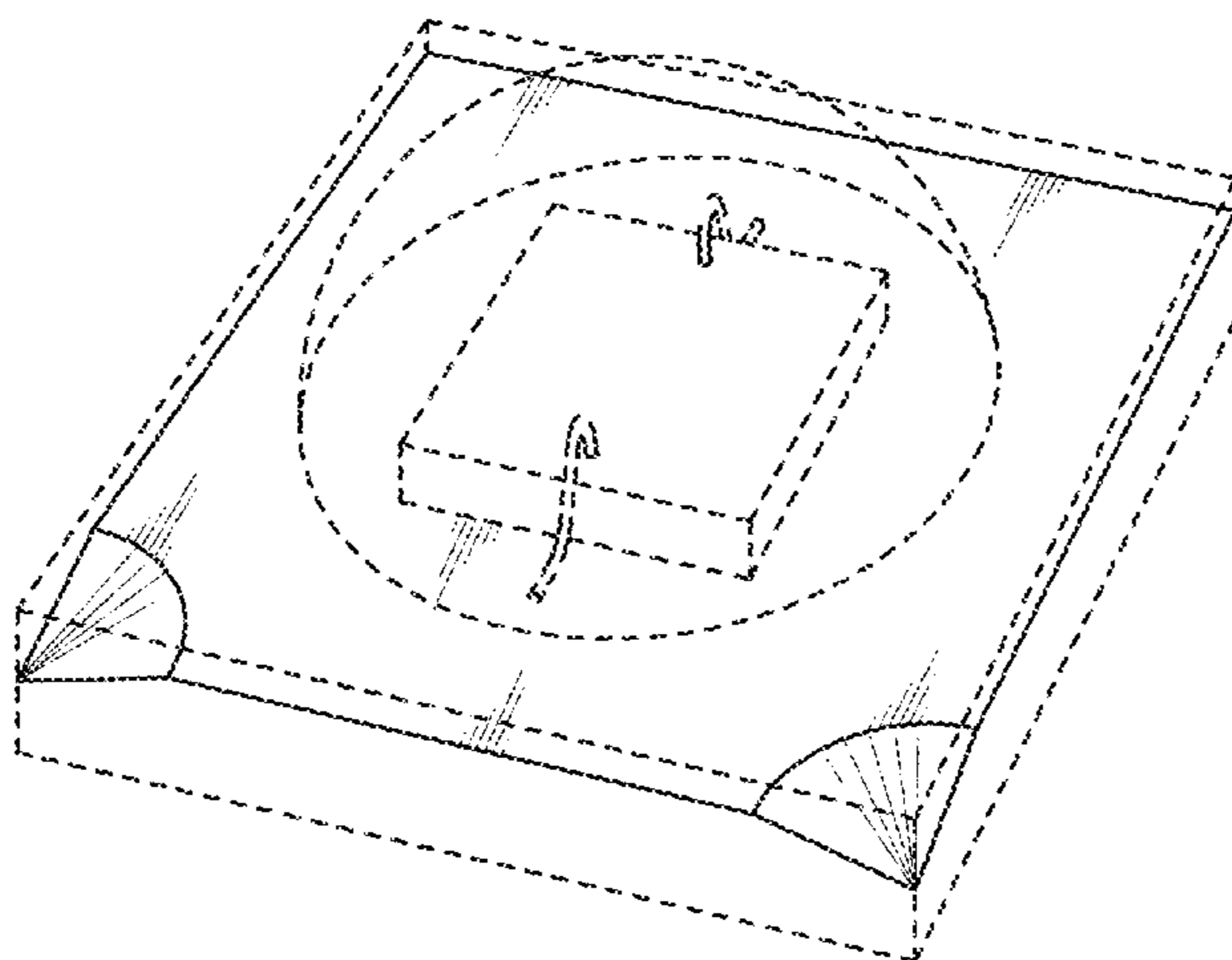
Primary Examiner — Selina Sikder
(74) *Attorney, Agent, or Firm* — Banner & Witcoff, Ltd.

(57) **CLAIM**
The ornamental design for a light-emitting diode, as shown and described.

DESCRIPTION

FIG. 1 is a front perspective view of a light-emitting diode, showing our new design;
FIG. 2 is a rear perspective view thereof;
FIG. 3 is a front elevational view thereof;
FIG. 4 is a rear elevational view thereof;
FIG. 5 is a top plan view thereof;
FIG. 6 is a bottom plan view thereof; and,
FIG. 7 is a right side elevational view thereof; the opposite side being a mirror image thereof.
The broken lines are for illustrative purposes only and form no part of the claimed design.

1 Claim, 7 Drawing Sheets



US D693,317 S

Page 2

(56)

References Cited

FOREIGN PATENT DOCUMENTS

U.S. PATENT DOCUMENTS

2011/0248289 A1* 10/2011 Hsieh et al. 257/88
2011/0260192 A1* 10/2011 Kwak et al. 257/98
2011/0278627 A1* 11/2011 Kim et al. 257/98
2011/0291154 A1* 12/2011 Noichi et al. 257/99

JP 1363679 6/2009
JP 1363680 6/2009
JP 1420644 8/2011

* cited by examiner

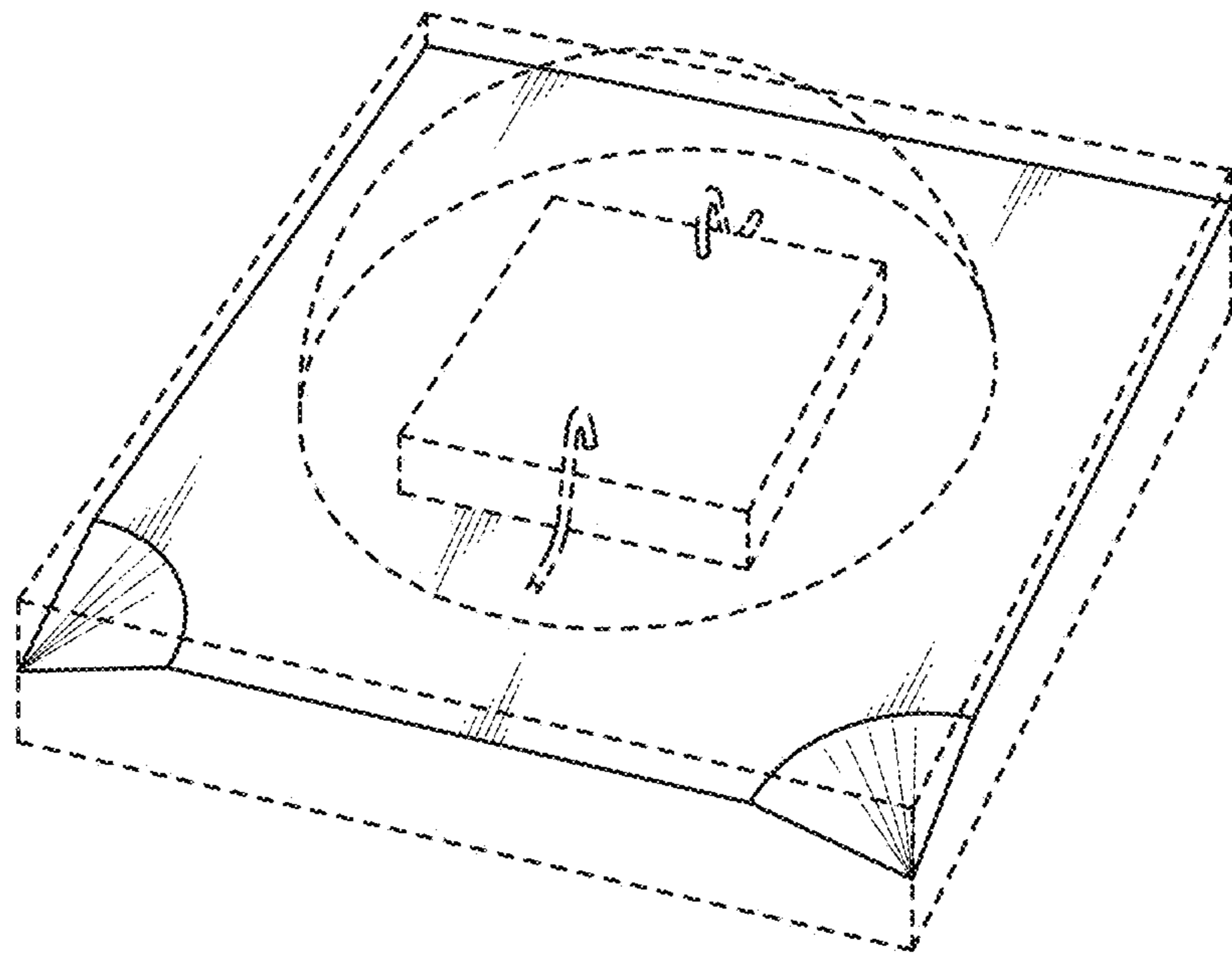


FIG. 1

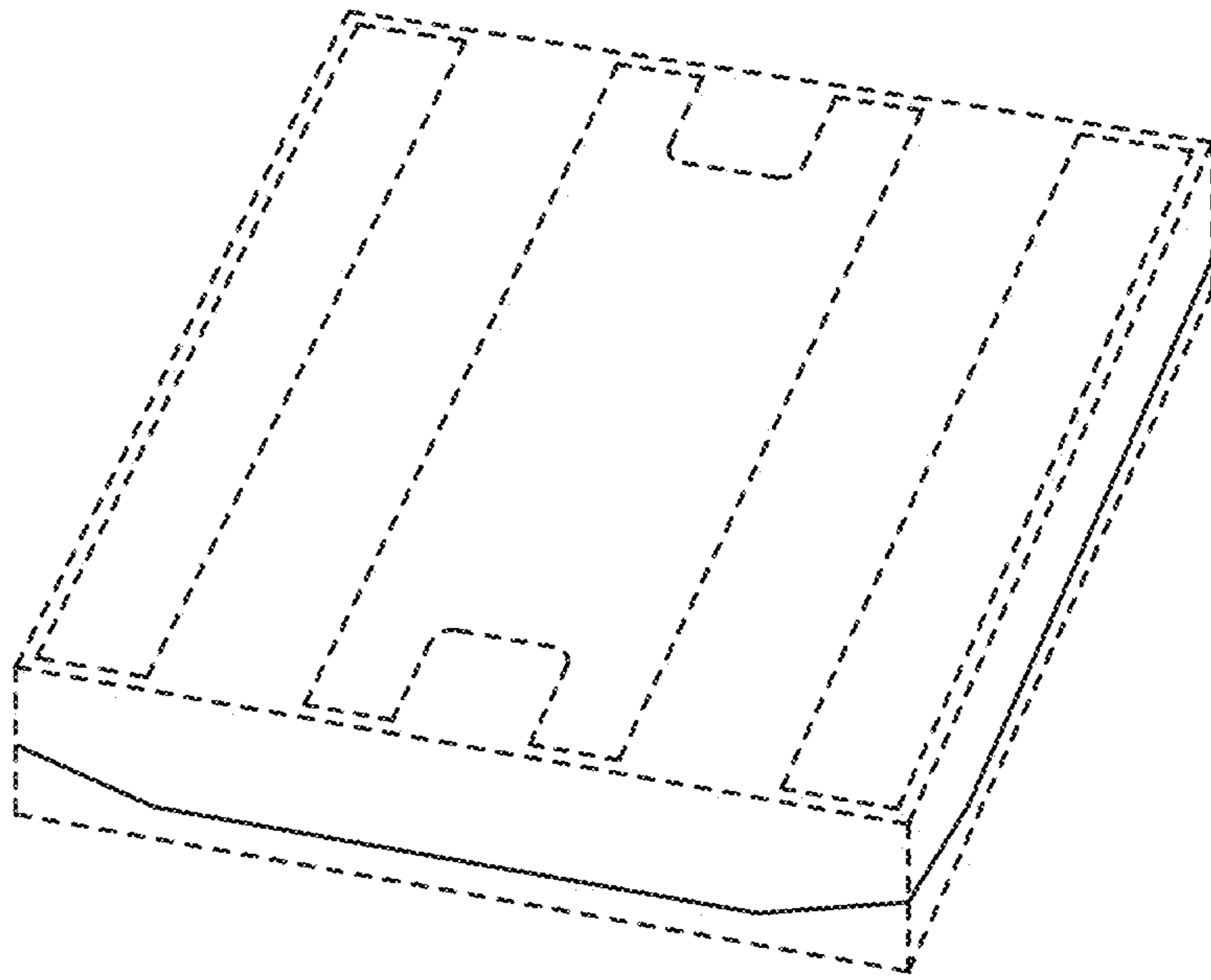


FIG. 2

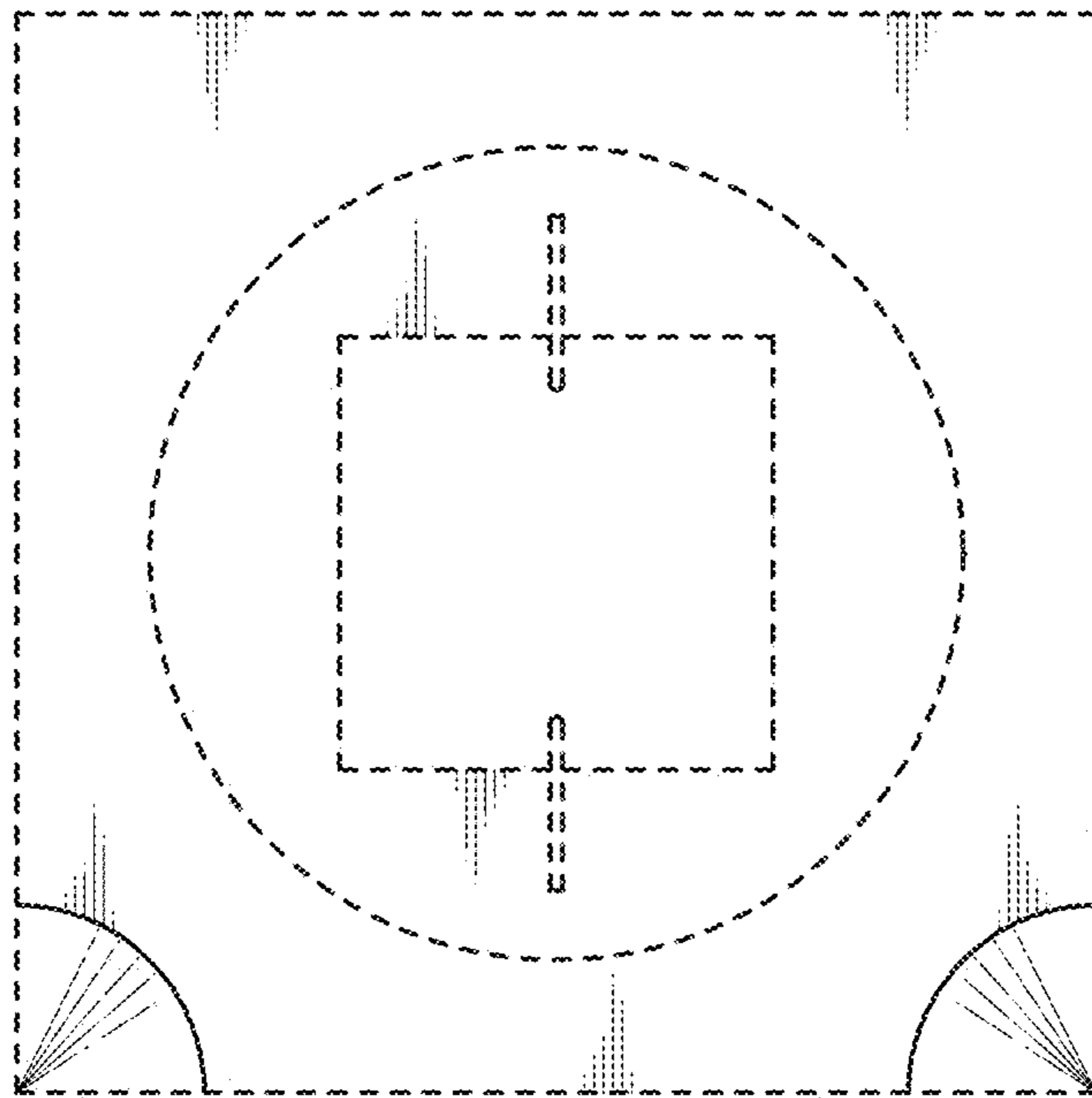


FIG. 3

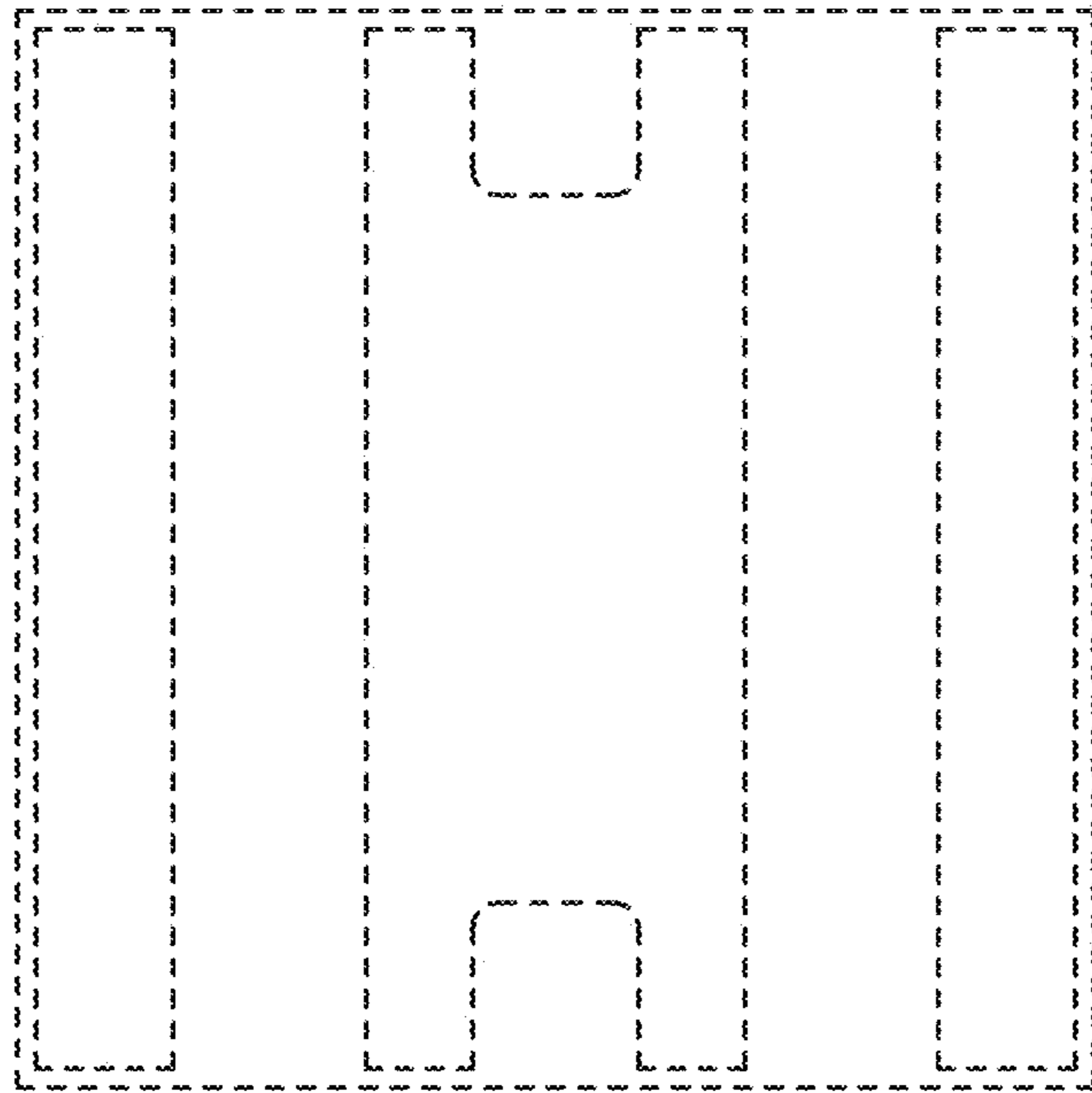


FIG. 4

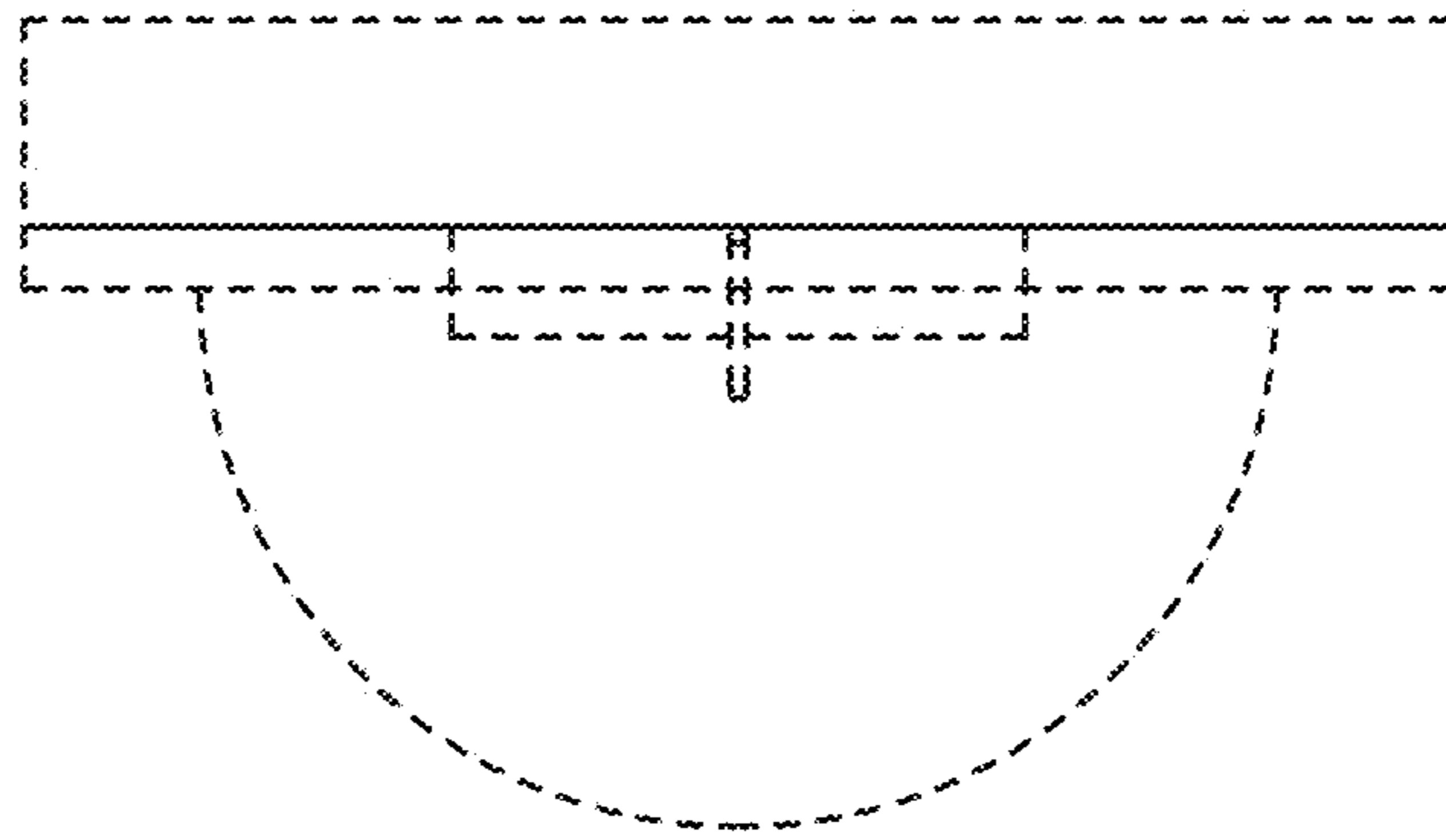


FIG. 5

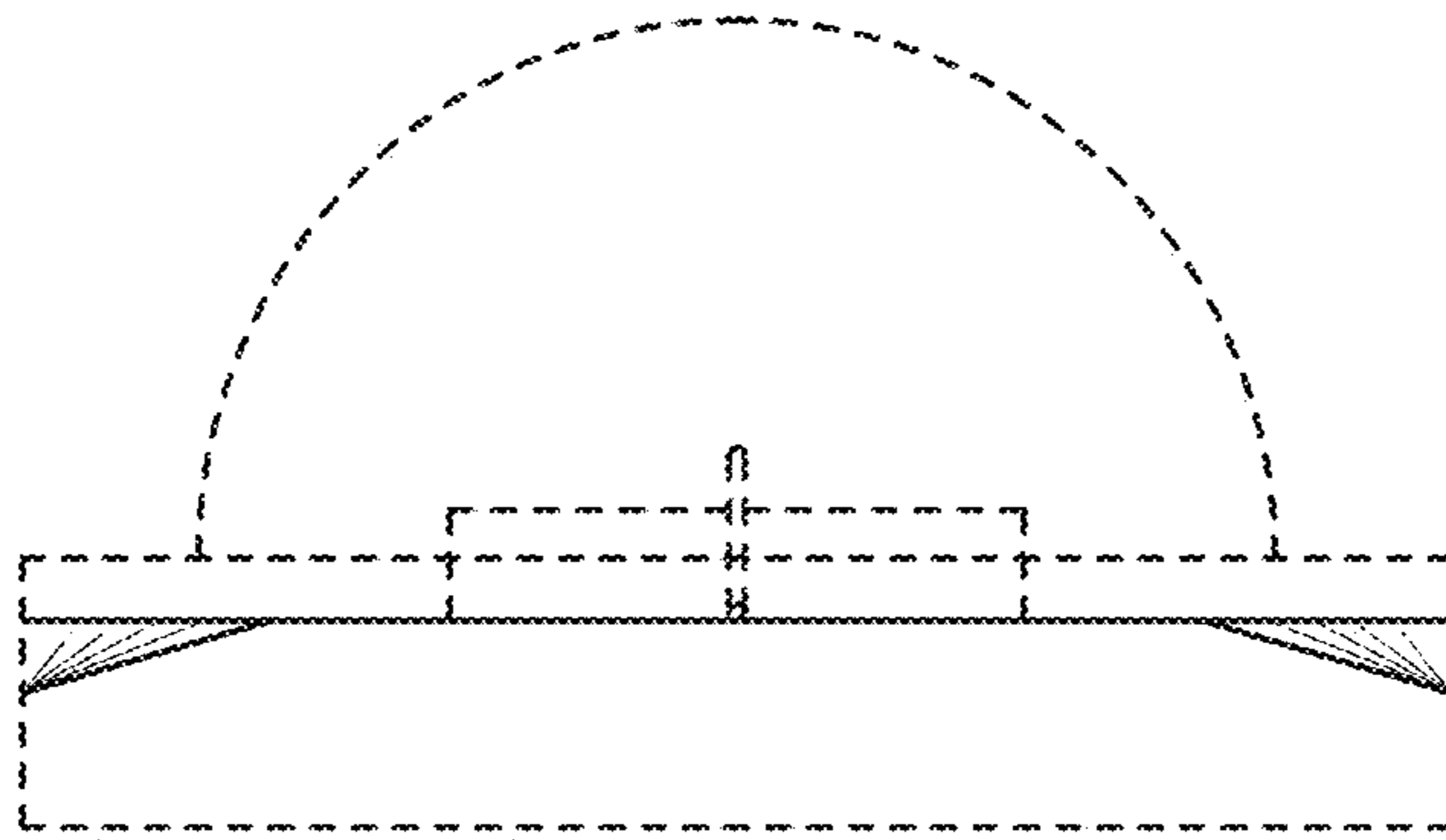


FIG. 6

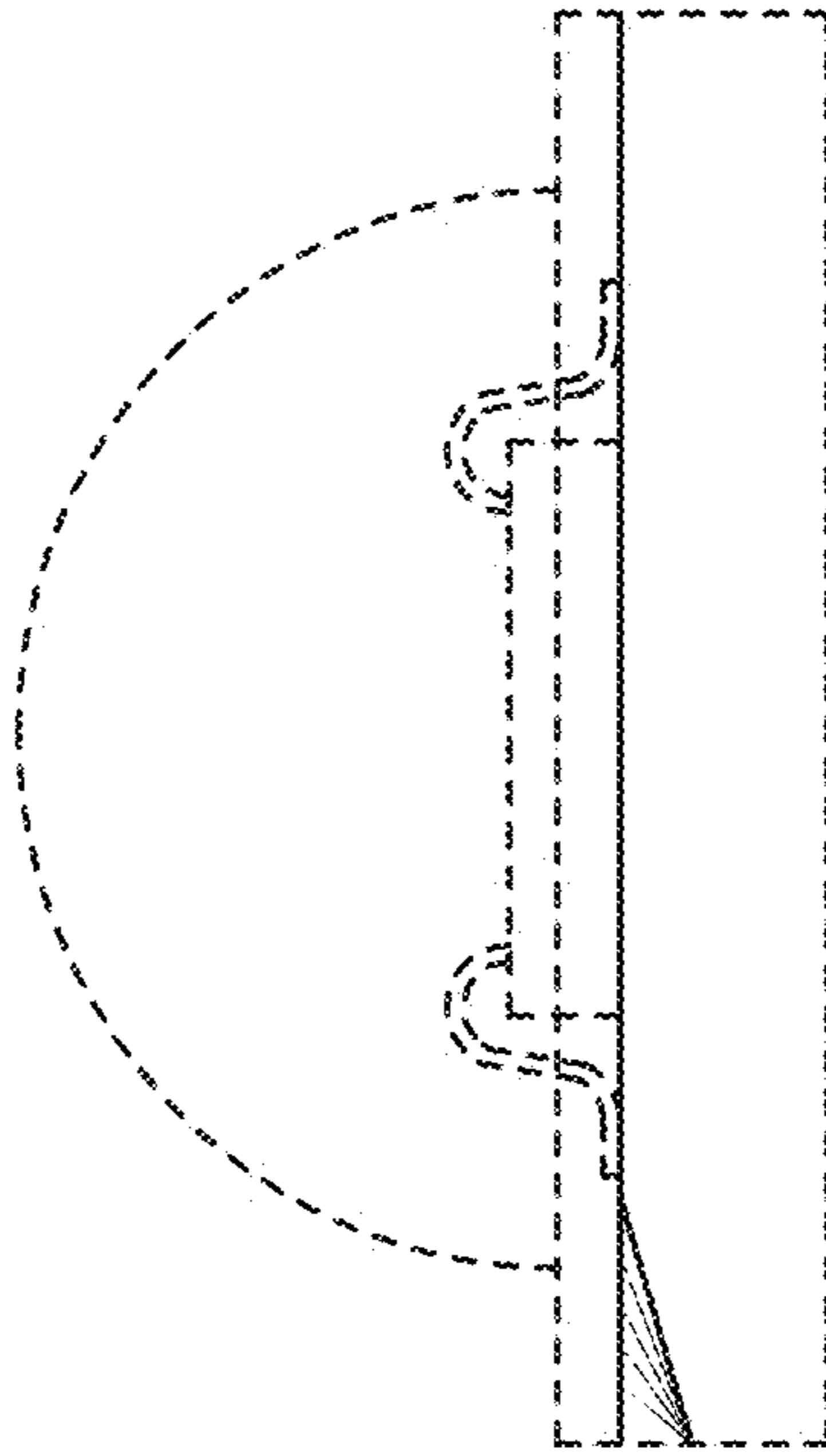


FIG. 7