



US00D693314S

(12) **United States Design Patent**  
**McKeage et al.**

(10) **Patent No.:** **US D693,314 S**

(45) **Date of Patent:** **\*\* Nov. 12, 2013**

(54) **CONTROL MODULE**

(71) Applicant: **Evans Consoles Corporation**, Calgary (CA)

(72) Inventors: **Darren McKeage**, Calgary (CA); **Cam Dagleish**, Calgary (CA)

(73) Assignee: **Evans Consoles Corporation**, Calgary, Alberta (CA)

(\*\*) Term: **14 Years**

(21) Appl. No.: **29/435,480**

(22) Filed: **Oct. 24, 2012**

(51) **LOC (9) Cl.** ..... **13-03**

(52) **U.S. Cl.**  
USPC ..... **D13/162**

(58) **Field of Classification Search**  
USPC ..... D13/110, 123, 162, 162.1; 361/600,  
361/601, 728, 729, 730, 796; 700/1, 17, 18,  
700/20; 439/715, 716  
See application file for complete search history.

(56) **References Cited**

**U.S. PATENT DOCUMENTS**

D424,065 S \* 5/2000 Soo ..... D14/240  
D435,020 S \* 12/2000 Zweig et al. .... D13/162

7,050,306 B1 \* 5/2006 Ribeiro et al. .... 361/728  
D555,603 S \* 11/2007 Pape et al. .... D13/162  
7,969,744 B2 \* 6/2011 Mathes et al. .... 361/728  
8,107,243 B2 \* 1/2012 Guccione et al. .... 361/728  
D660,806 S \* 5/2012 Wong ..... D13/162  
2009/0141458 A1 \* 6/2009 Liu et al. .... 361/728  
2011/0103025 A1 \* 5/2011 Ross et al. .... 361/728  
2012/0307459 A1 \* 12/2012 Sakuma et al. .... 361/728

\* cited by examiner

*Primary Examiner* — Selina Sikder

(74) *Attorney, Agent, or Firm* — Notaro, Michalos & Zaccaria P.C.

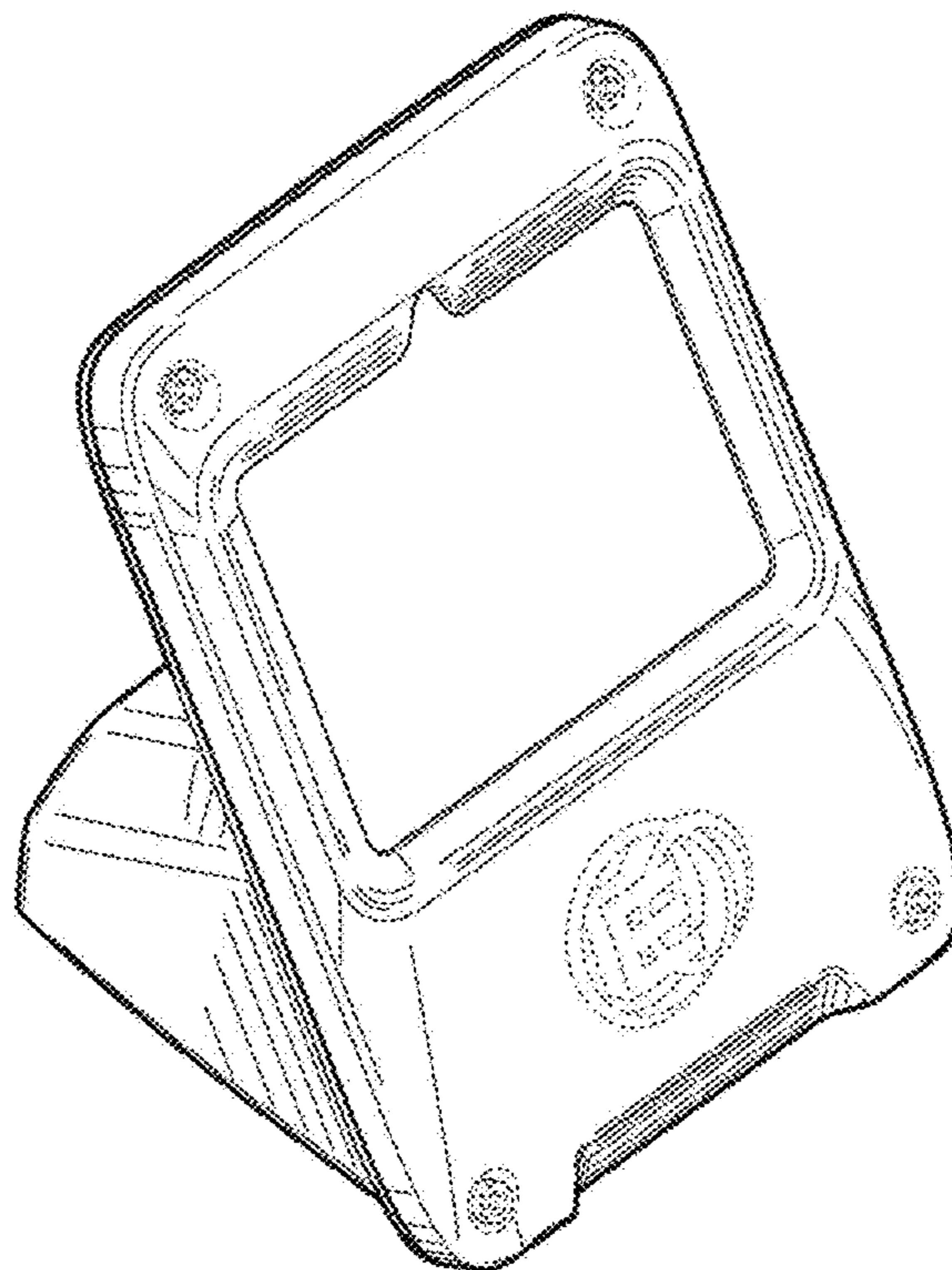
(57) **CLAIM**

The ornamental design for a control module, as shown and described.

**DESCRIPTION**

FIG. 1 is a front perspective view of the control module showing our new design therefor, with parts in broken lines forming no part of the design throughout the drawings; FIG. 2 is a rear perspective view thereof; FIG. 3 is a front elevational view thereof; FIG. 4 is a rear elevational view thereof; FIG. 5 is a right side elevational view thereof; FIG. 6 is a left side elevational view thereof; FIG. 7 is a top plan view thereof; and, FIG. 8 is a bottom plan view thereof.

**1 Claim, 8 Drawing Sheets**



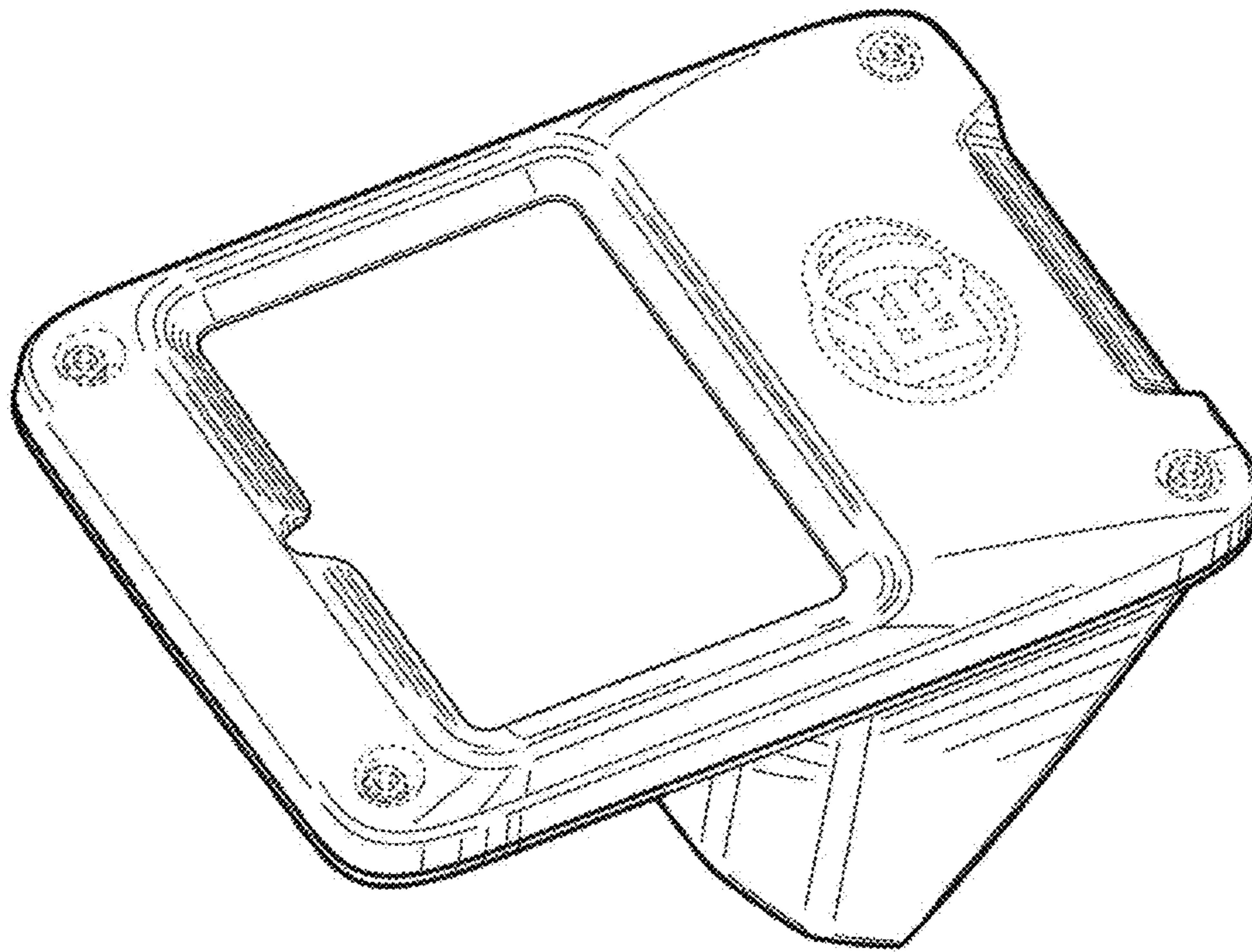


Fig. 1

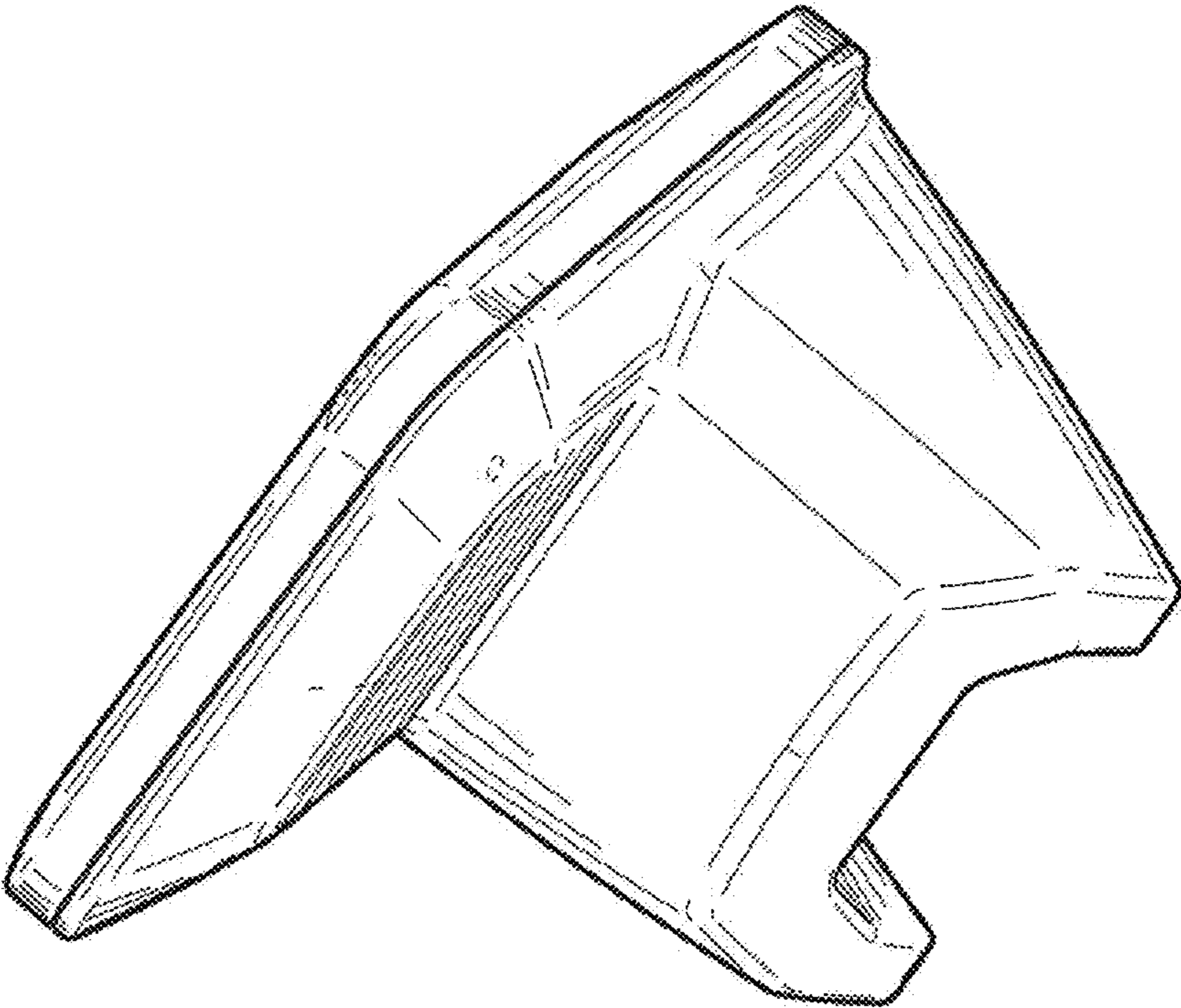


Fig. 2

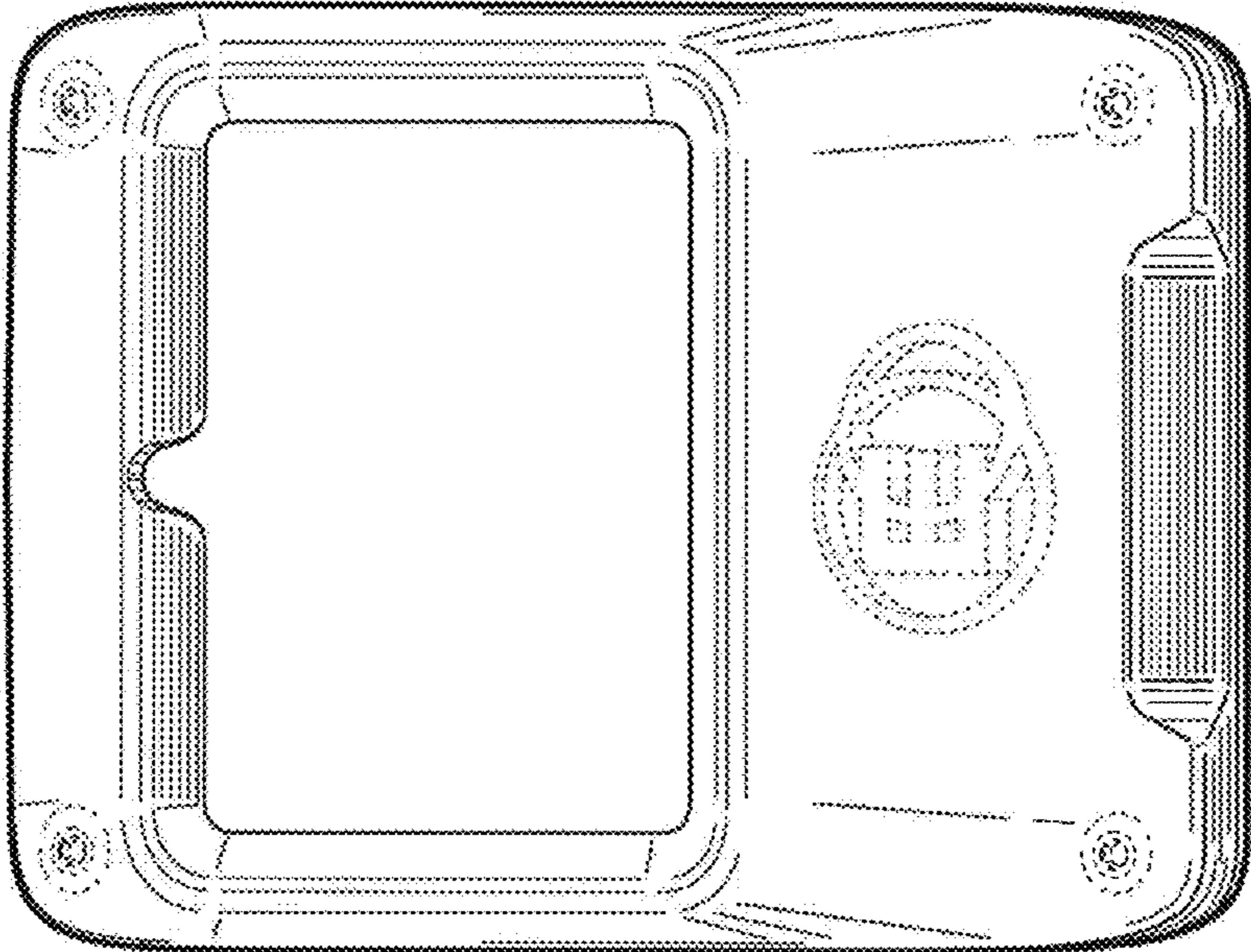


Fig. 3

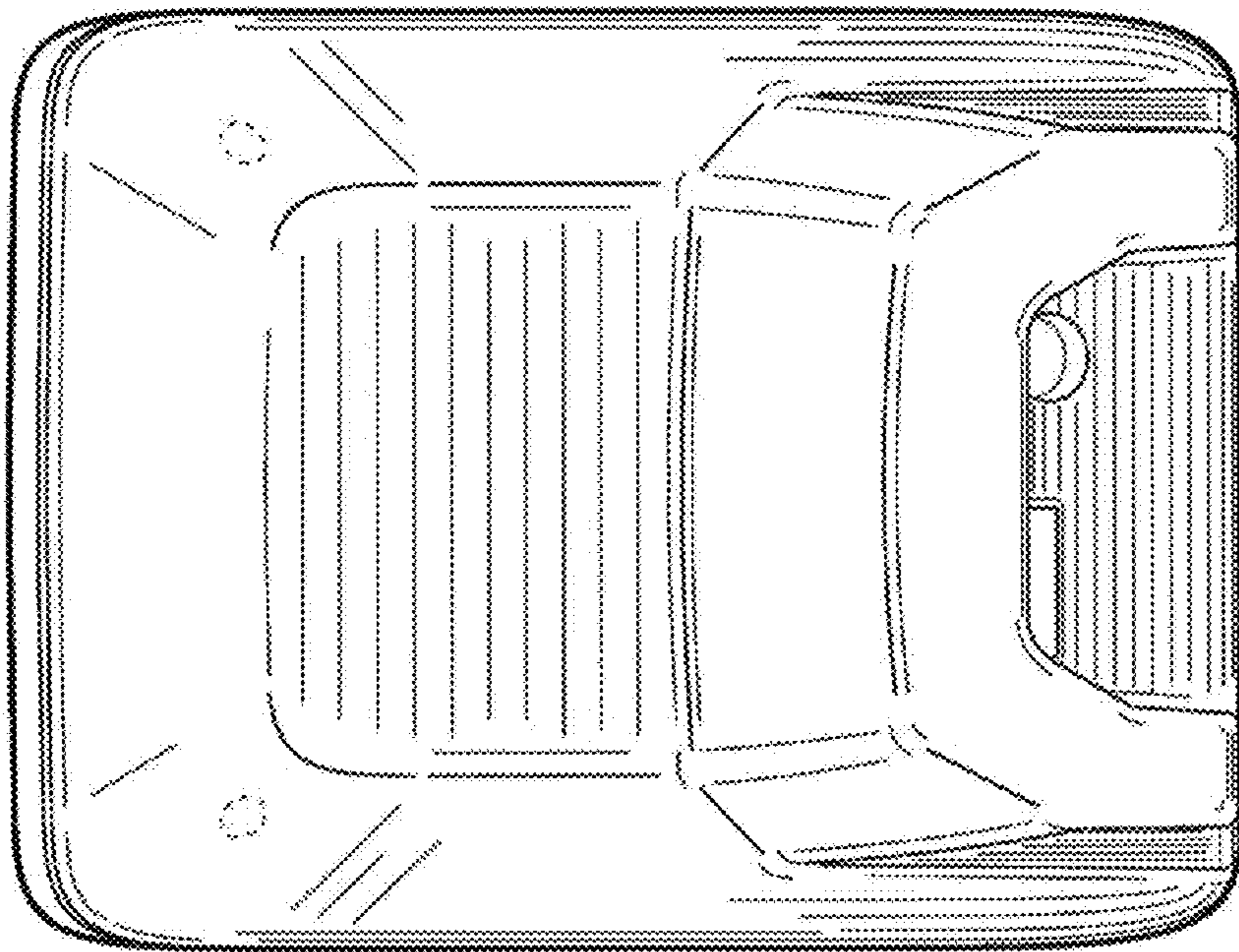


Fig. 4

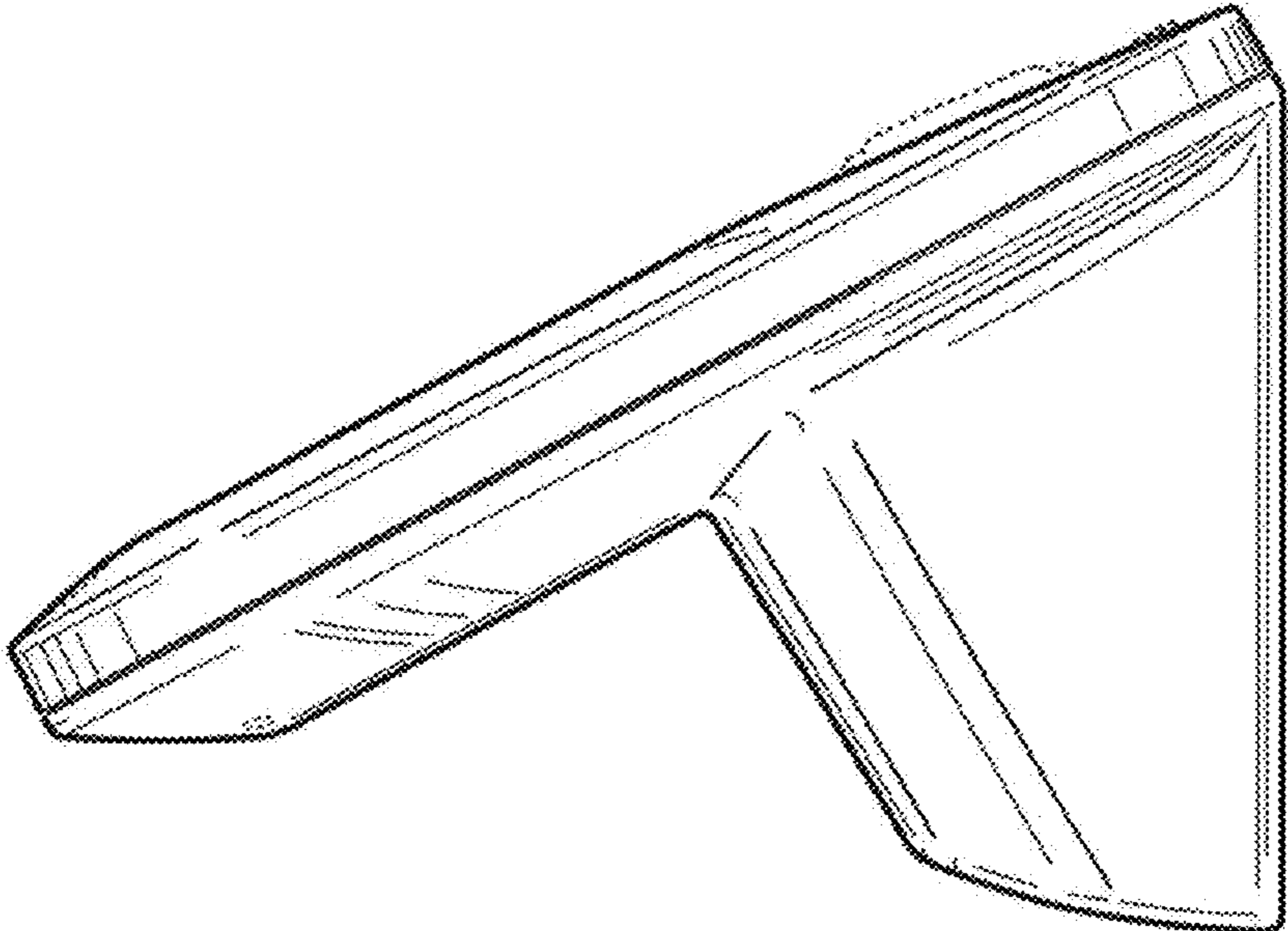


Fig. 5

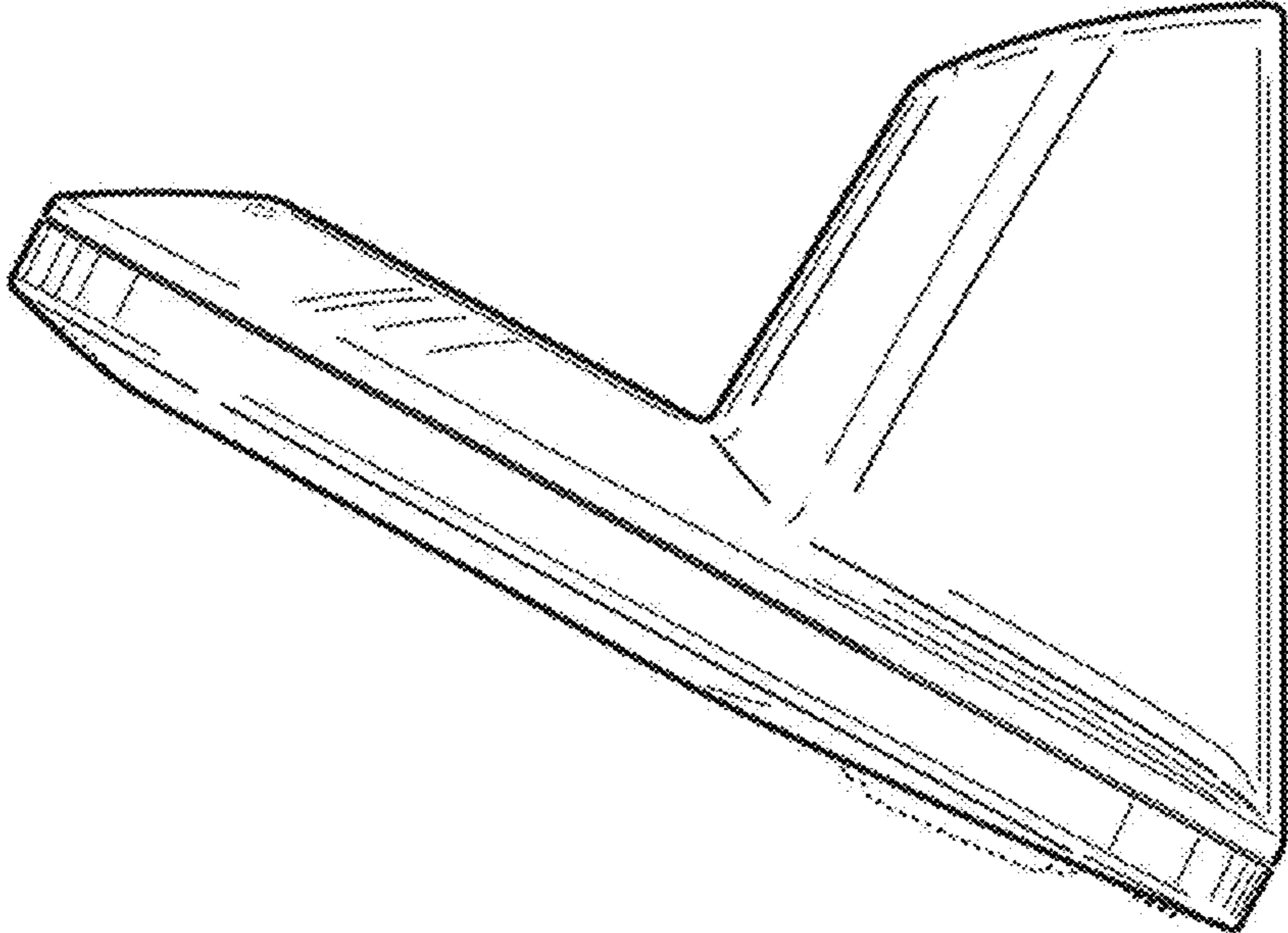


Fig. 6

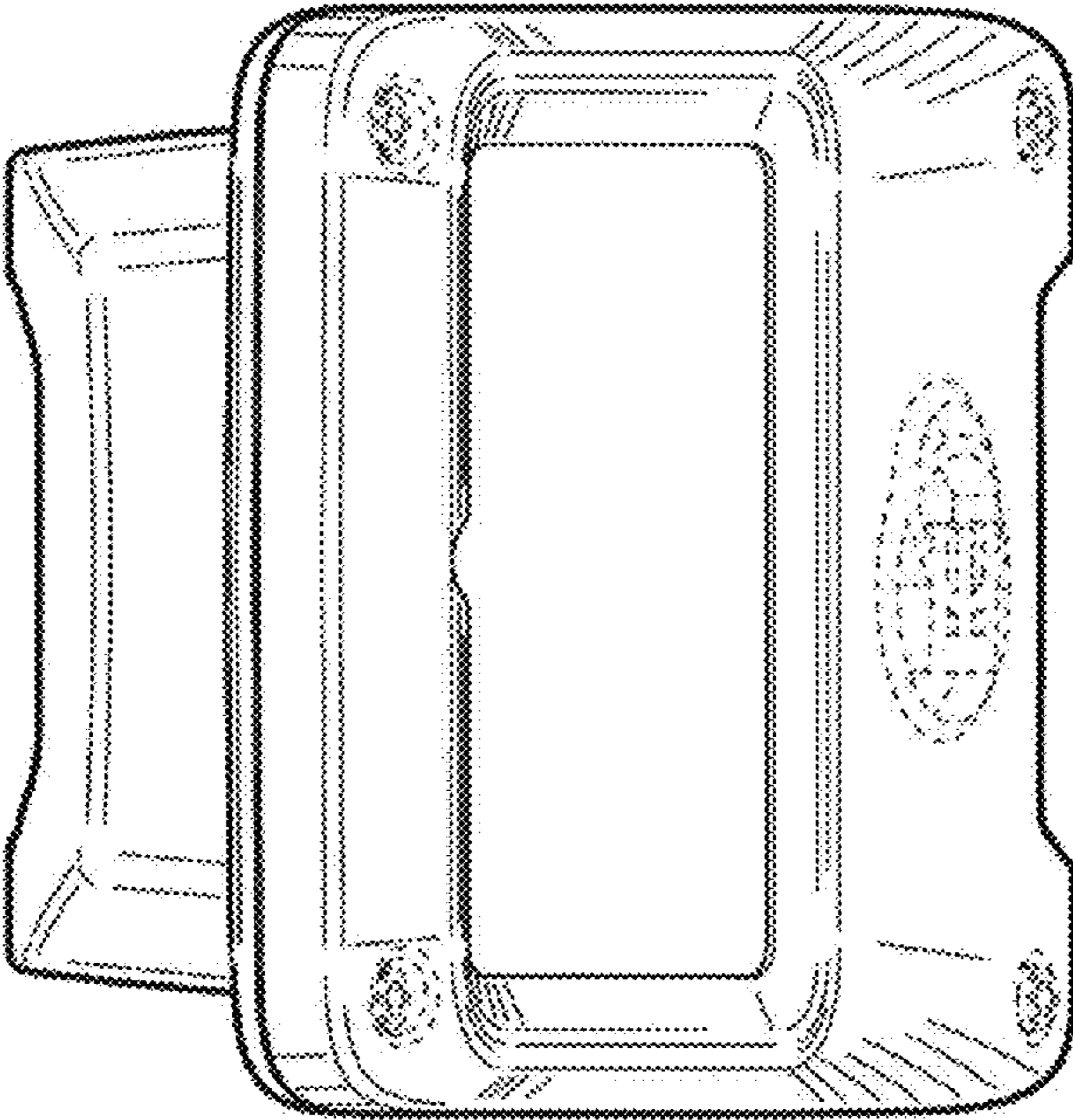


Fig. 7



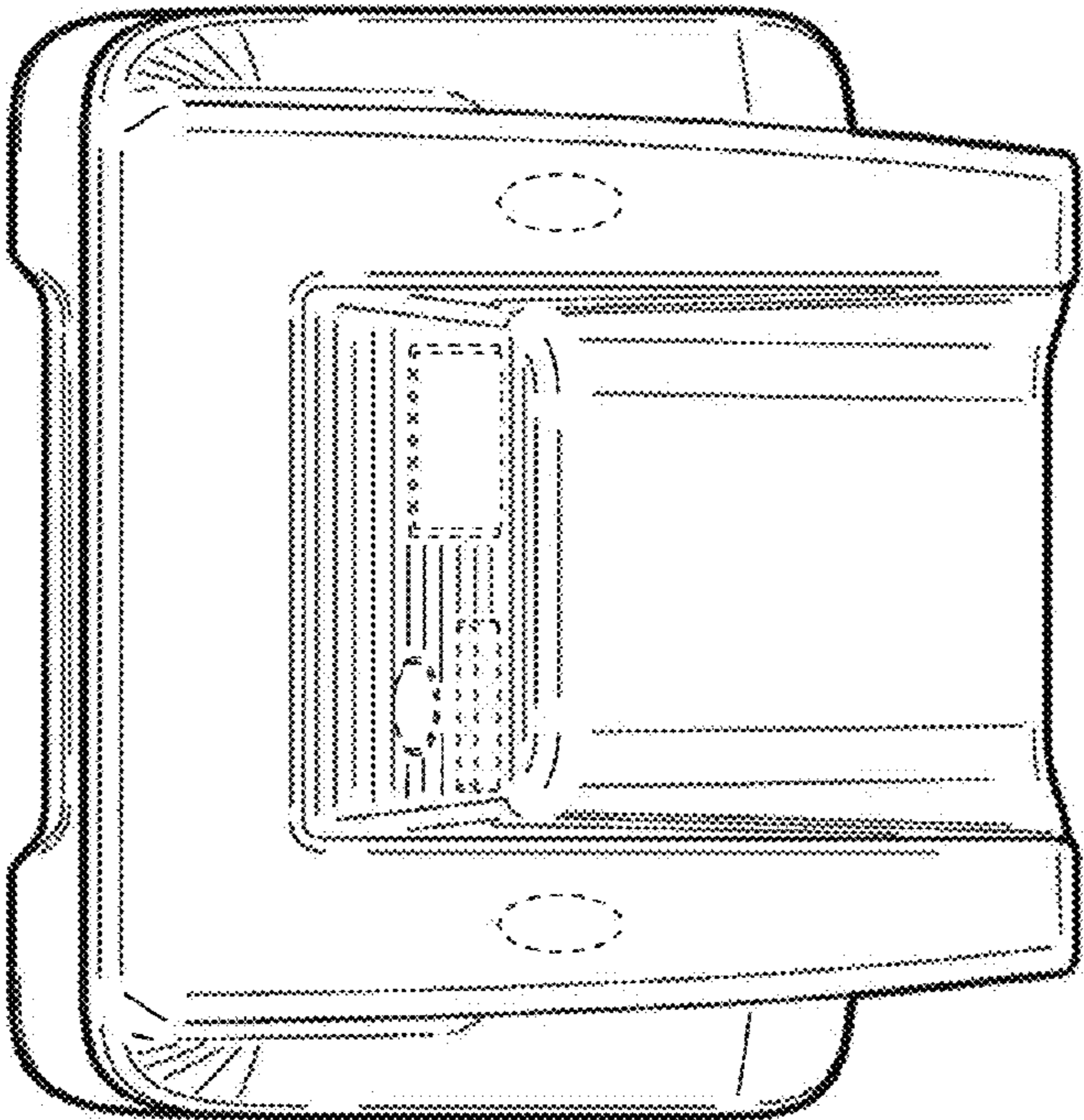


Fig. 8