



US00D693313S

(12) **United States Design Patent**
Bullock et al.

(10) **Patent No.:** **US D693,313 S**
(45) **Date of Patent:** **** Nov. 12, 2013**

(54) **SWITCHGEAR**

(71) Applicants: **Scott A. Bullock**, Bristol, VA (US);
Garry F. Raines, Bristol, TN (US)

(72) Inventors: **Scott A. Bullock**, Bristol, VA (US);
Garry F. Raines, Bristol, TN (US)

(73) Assignee: **Electro-Mechanical Corporation**,
Bristol, VA (US)

(**) Term: **14 Years**

(21) Appl. No.: **29/459,548**

(22) Filed: **Jul. 1, 2013**

Related U.S. Application Data

(62) Division of application No. 29/409,091, filed on Dec. 20, 2011, now Pat. No. Des. 686,165.

(51) **LOC (9) Cl.** **13-03**

(52) **U.S. Cl.**
USPC **D13/158**; D13/160

(58) **Field of Classification Search**
USPC D13/120, 158, 160, 184, 199; 218/118,
218/119, 7, 77, 78, 79, 2, 102; 251/172;
361/605, 612
See application file for complete search history.

(56) **References Cited**

U.S. PATENT DOCUMENTS

2,009,815	A	7/1935	Powers	
D321,508	S	11/1991	Ramos	
5,350,892	A	9/1994	Rozier	
D562,255	S	2/2008	Osumi et al.	
D562,256	S	2/2008	Osumi et al.	
D562,776	S	2/2008	Osumi et al.	
D670,657	S	11/2012	Sabani et al.	
D686,165	S *	7/2013	Bullock et al.	D13/158
2013/0187733	A1 *	7/2013	Bullock et al.	335/13

OTHER PUBLICATIONS

Tavrada Electric "LD Series Circuit Breakers" internet web page
http://tavrida-na.com/cb_Id-htm. Retrieved Nov. 31, 2011.

(Continued)

Primary Examiner — Thomas Johannes

(74) *Attorney, Agent, or Firm* — The Van Winkle Law Firm;
Steven C. Schnedler

(57) **CLAIM**

The ornamental design for switchgear, as shown and described.

DESCRIPTION

FIG. 1 is a three-dimensional view generally from the top right rear of an embodiment of switchgear in its switch-closed configuration;

FIG. 2 is a three-dimensional view generally from the top left rear thereof;

FIG. 3 is a three-dimensional view generally from the bottom right rear thereof;

FIG. 4 is a left side view thereof;

FIG. 5 is a right side view thereof;

FIG. 6 is a top view thereof;

FIG. 7 is a bottom view thereof;

FIG. 8 is rear view thereof;

FIG. 9 is front view thereof;

FIG. 10 is a three-dimensional view generally from the top right rear of the switchgear in its switch-open configuration;

FIG. 11 is a three-dimensional view generally from the top left rear thereof;

FIG. 12 is a three-dimensional view generally from the bottom right rear thereof;

FIG. 13 is a left side view thereof;

FIG. 14 is a right side view thereof;

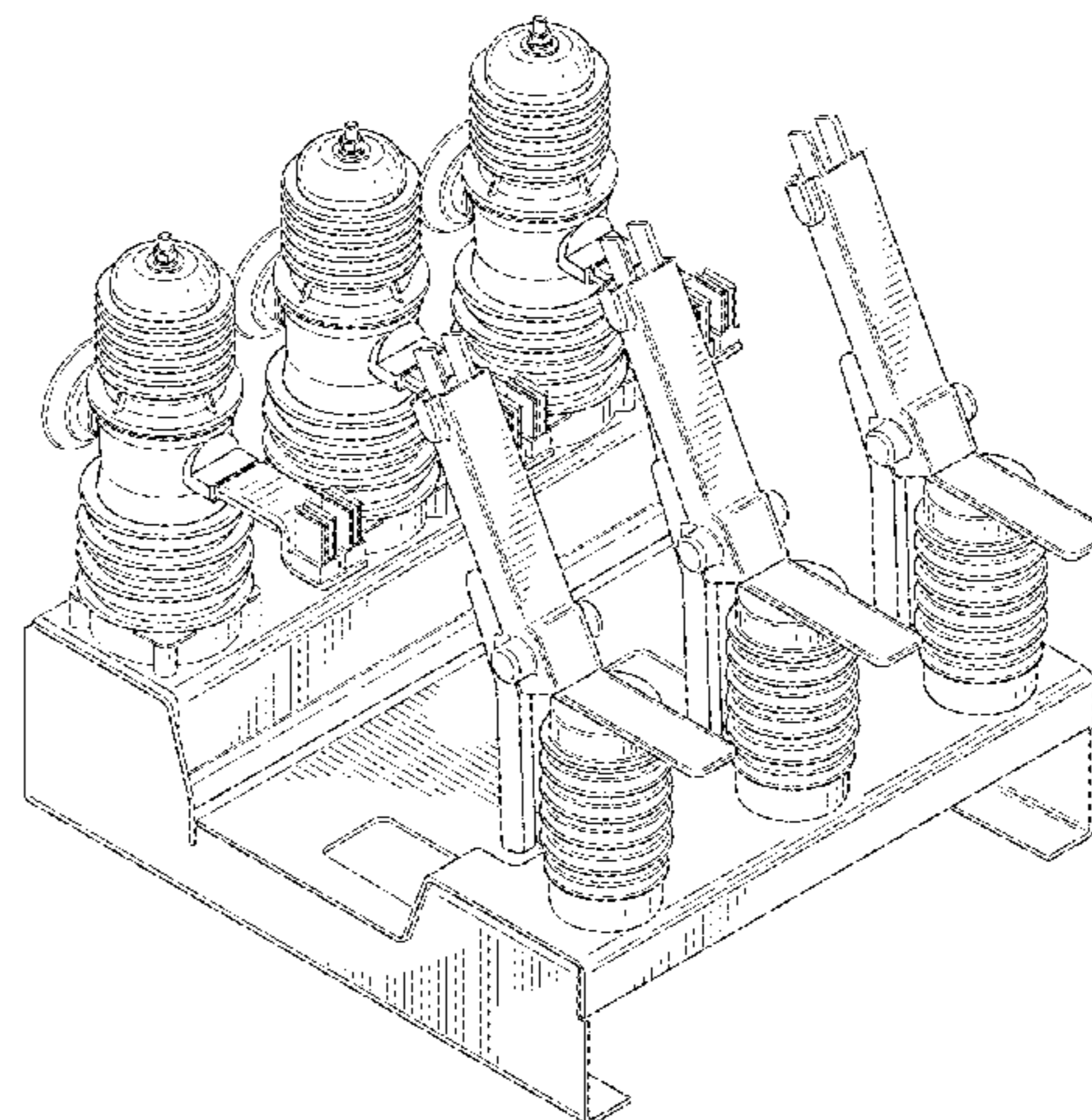
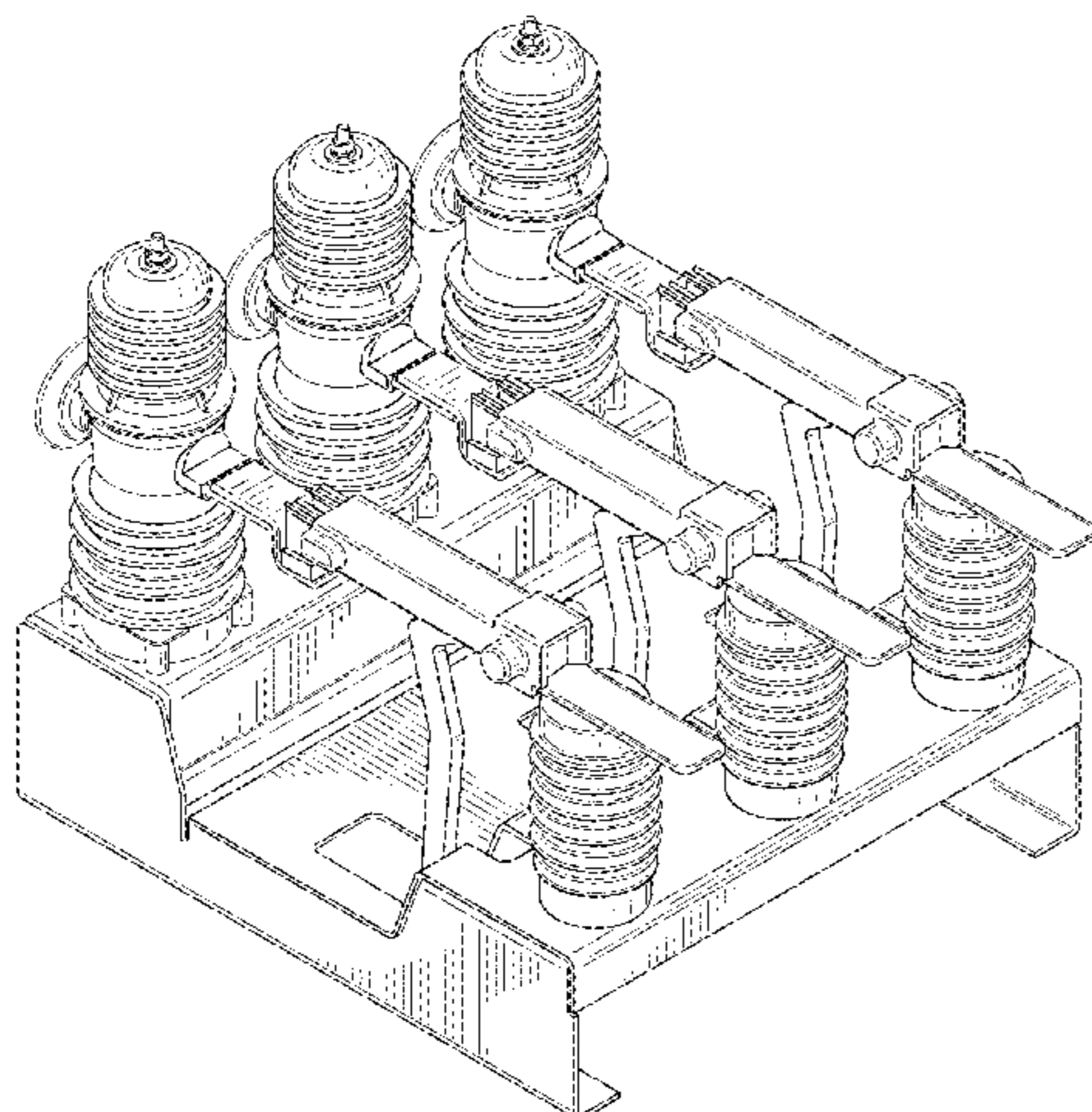
FIG. 15 is a top view thereof;

FIG. 16 is a bottom view thereof;

FIG. 17 is rear view thereof; and,

FIG. 18 is front view thereof.

1 Claim, 18 Drawing Sheets



(56)

References Cited

OTHER PUBLICATIONS

Tavrida Product Brochure downloaded from tavrida-na.com/downloads.htm (2011).

Two-page brochure titled "27kV Vacuum Circuit Breaker" describing one of applicant's prior devices combining a visible disconnect switch and an interrupter in the form of a vacuum circuit breaker. Date is prior to Dec. 20, 2010.

* cited by examiner

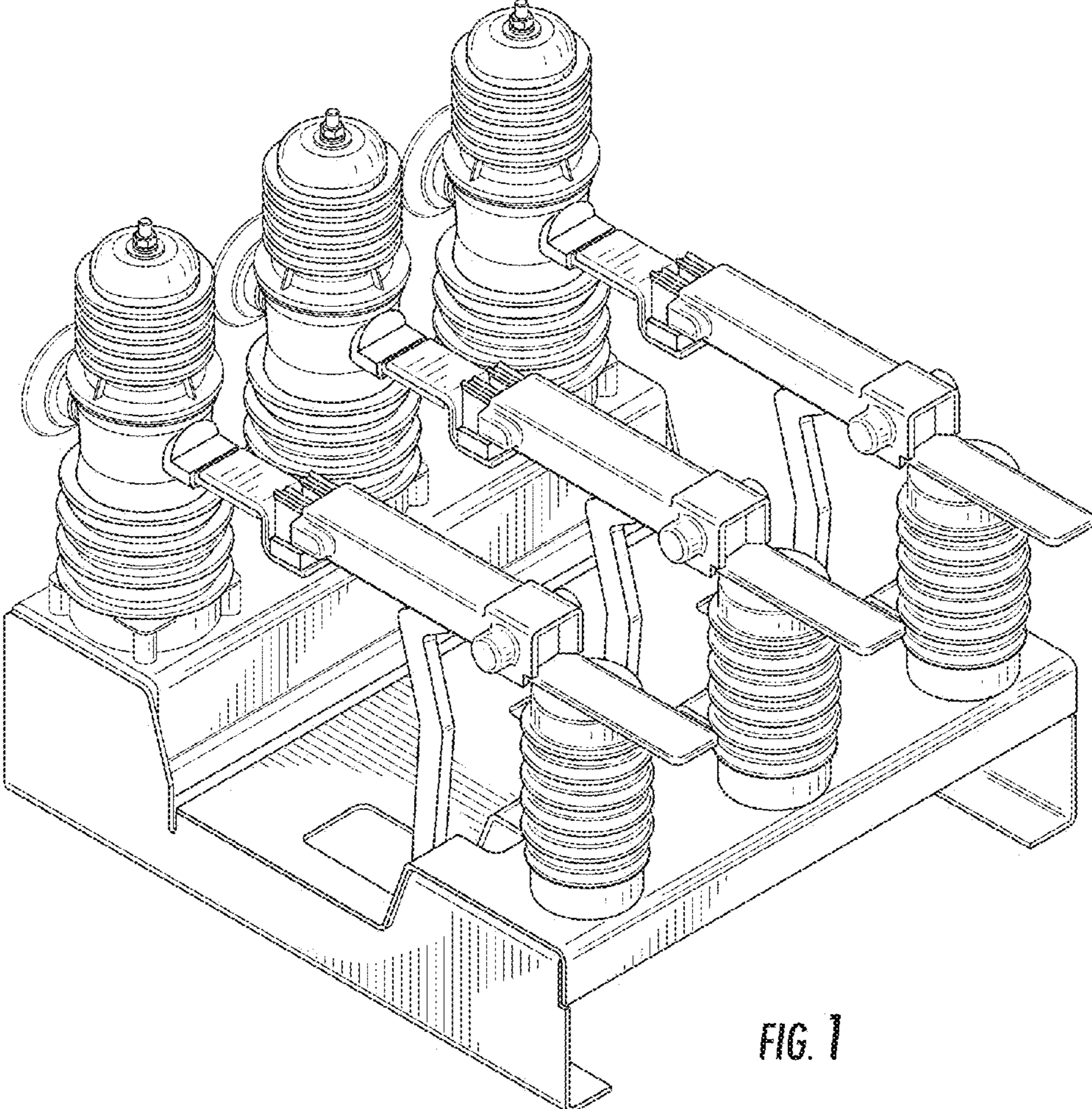


FIG. 1

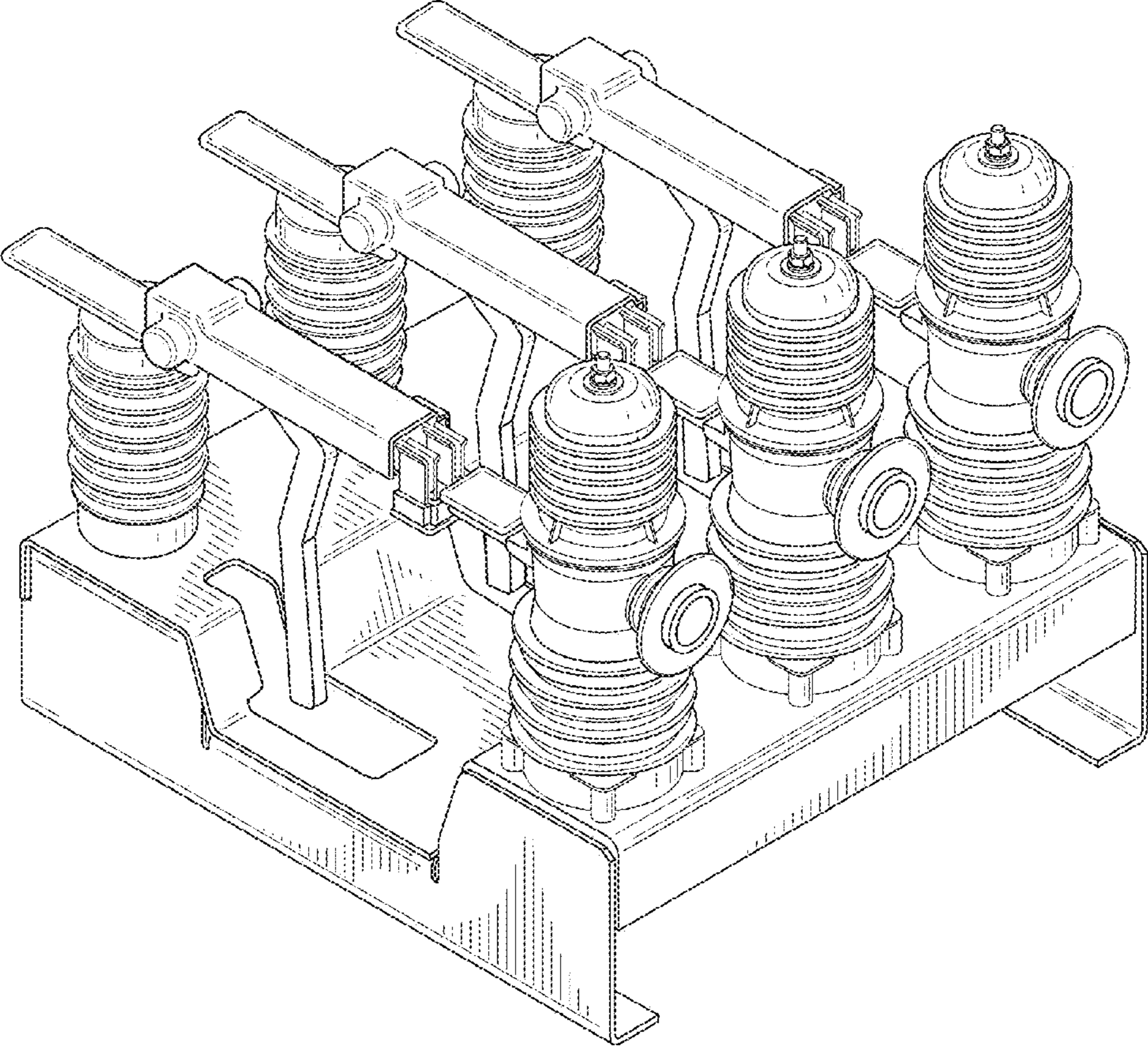


FIG. 2

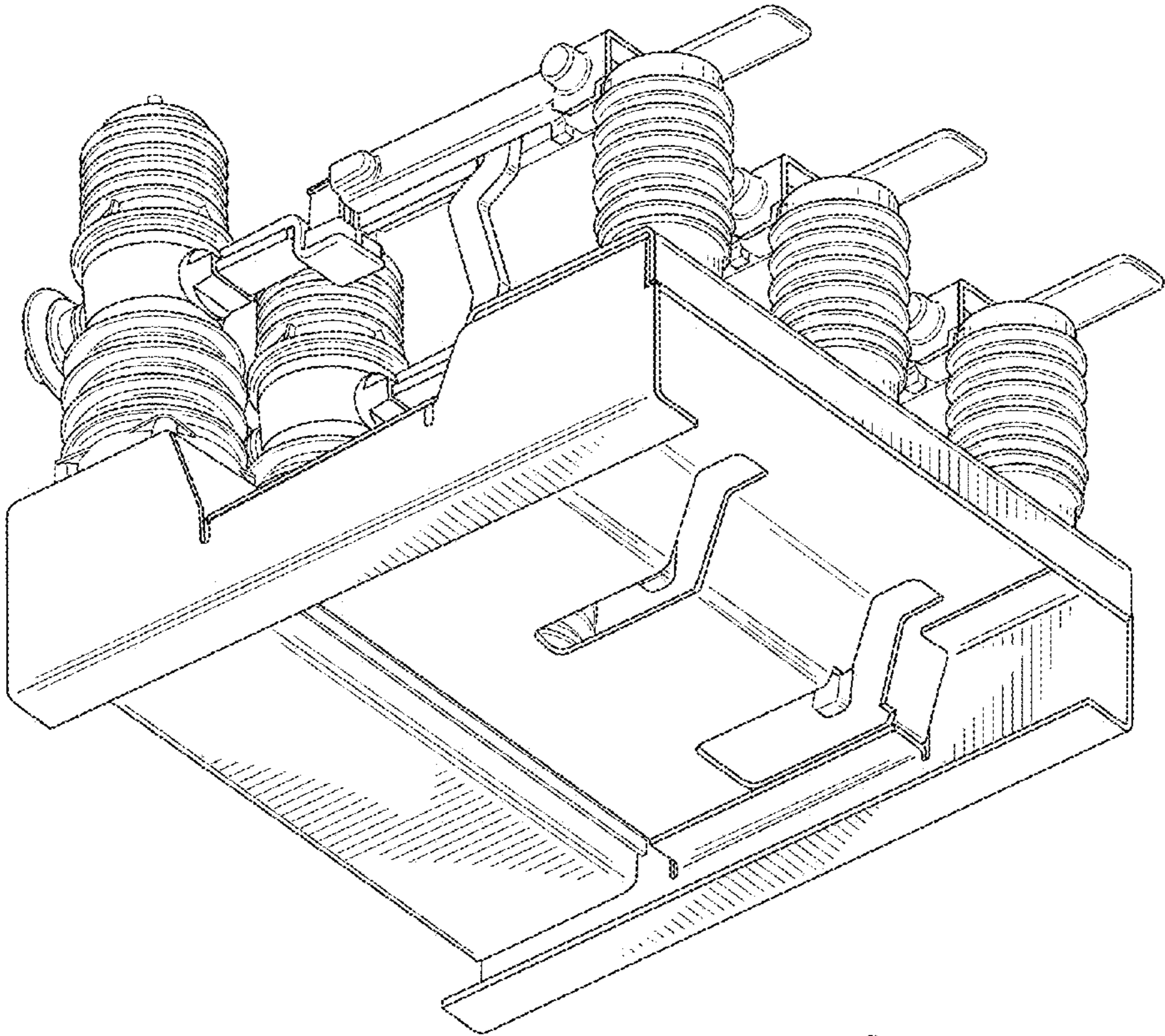


FIG. 3

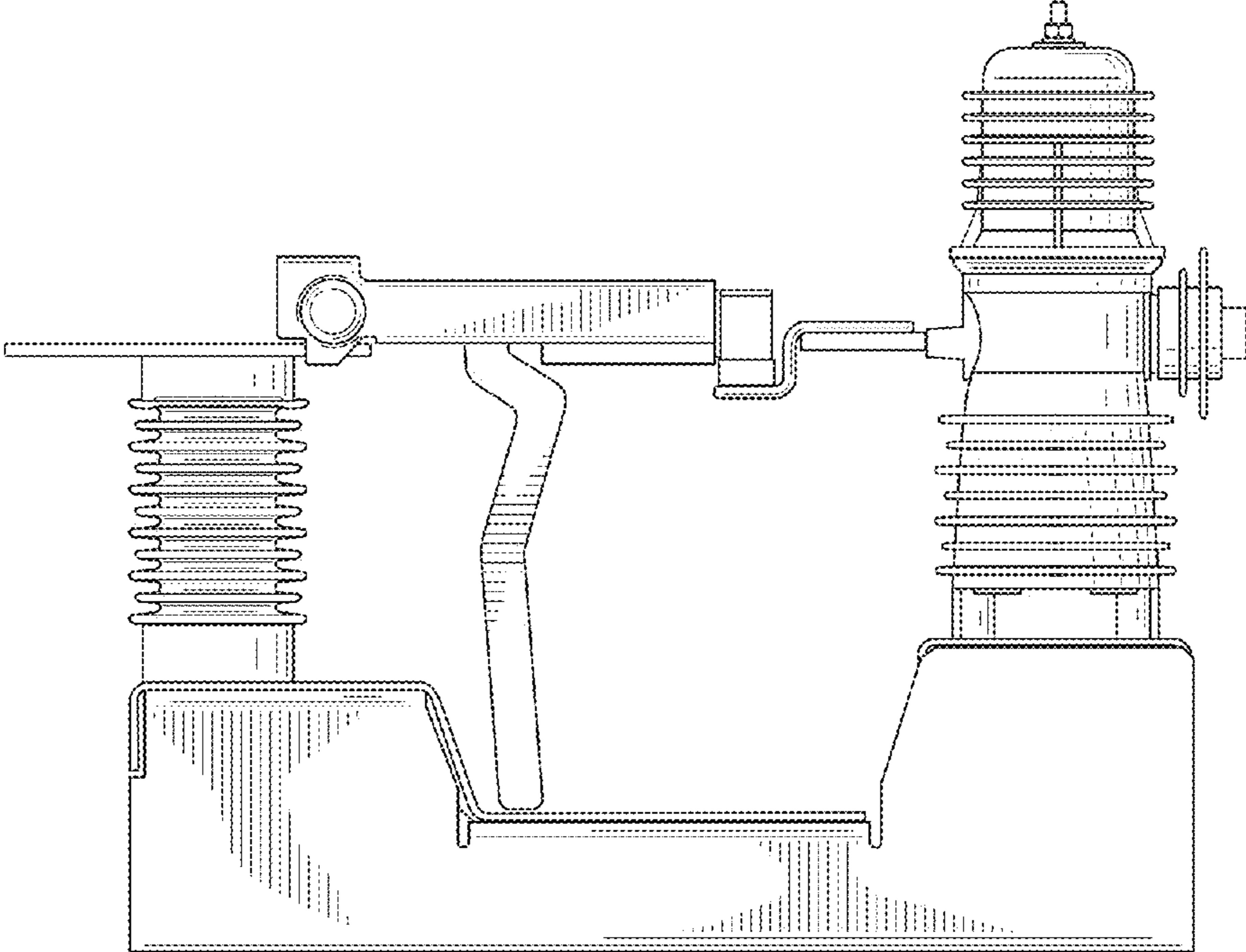


FIG. 4

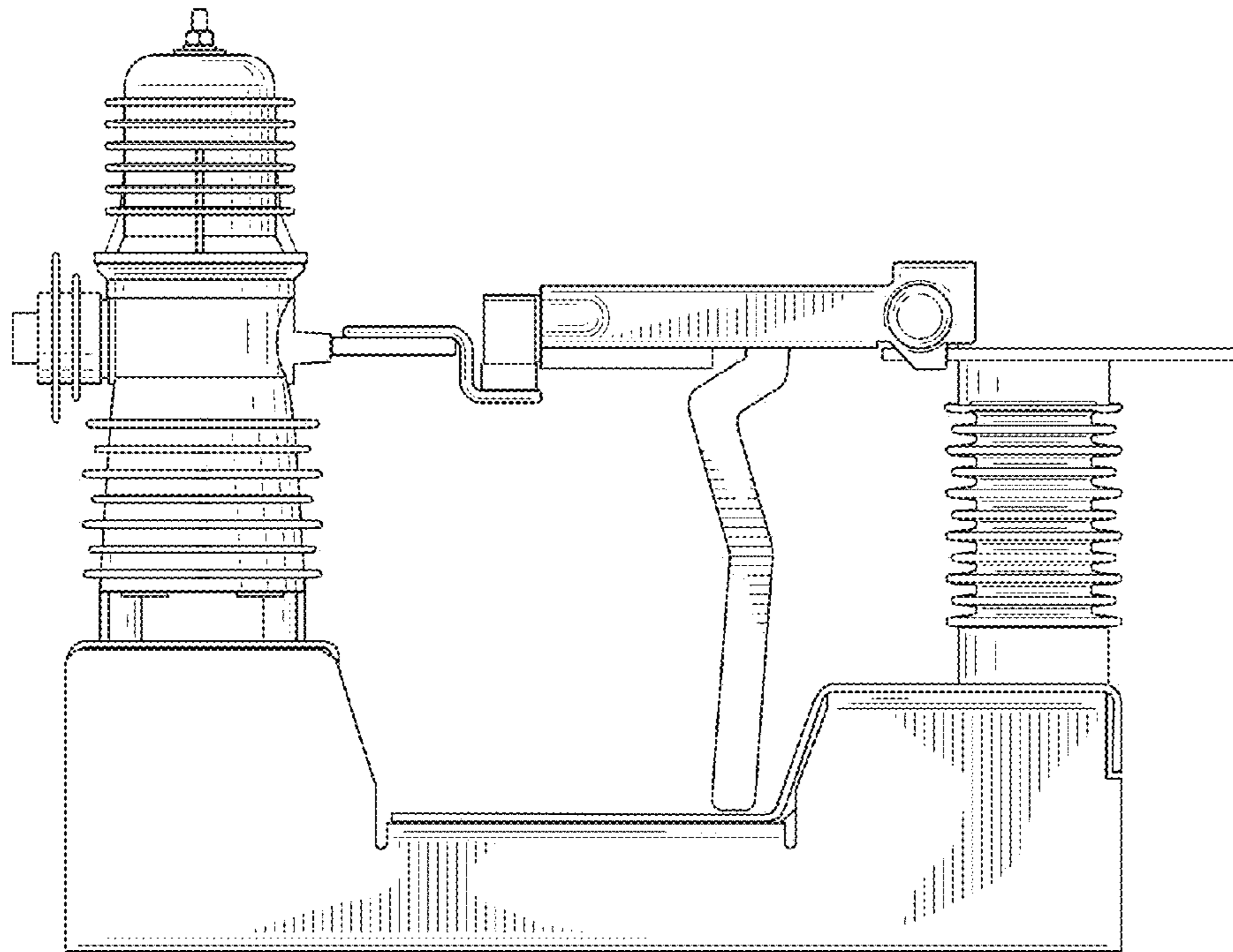


FIG. 5

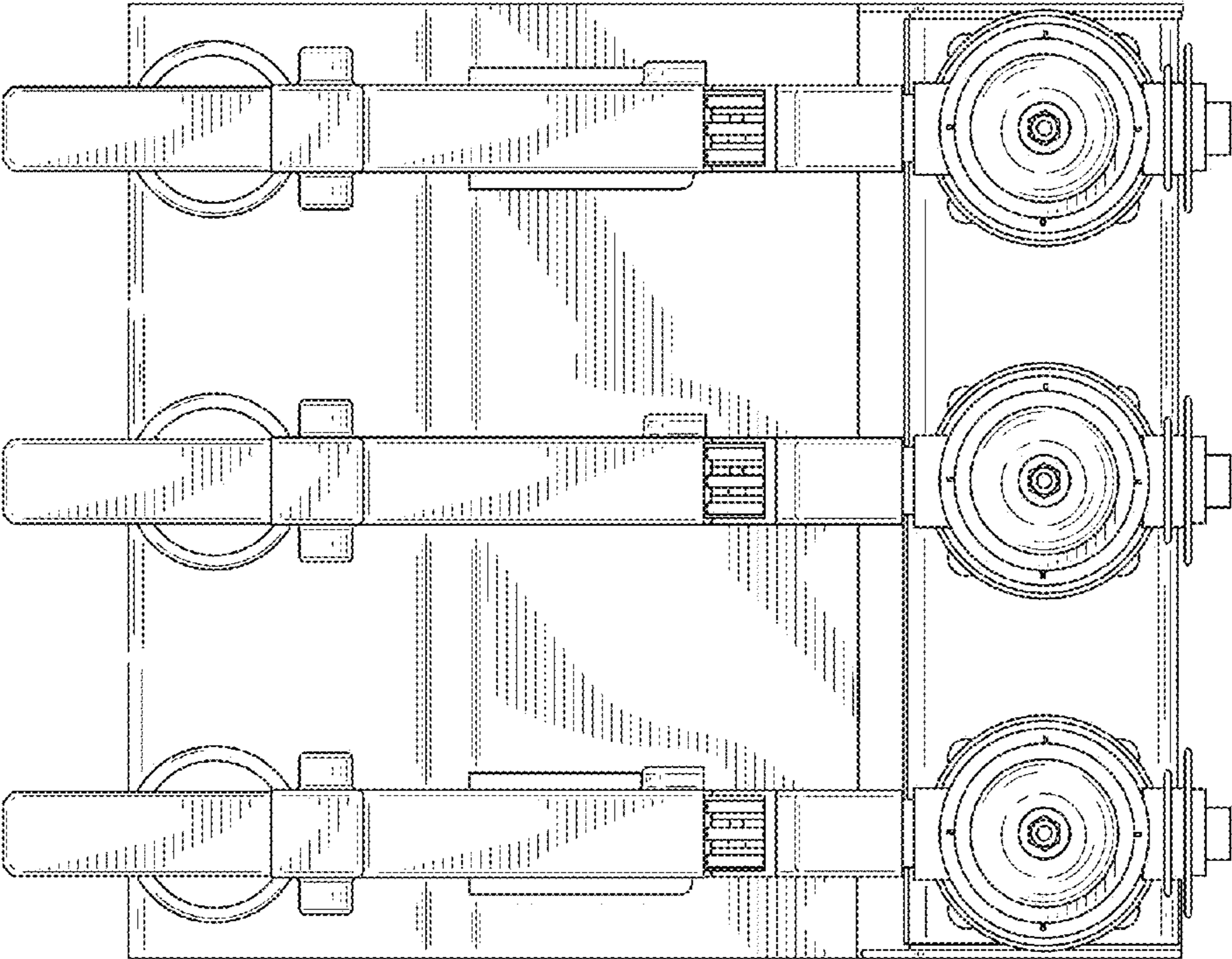


FIG. 6

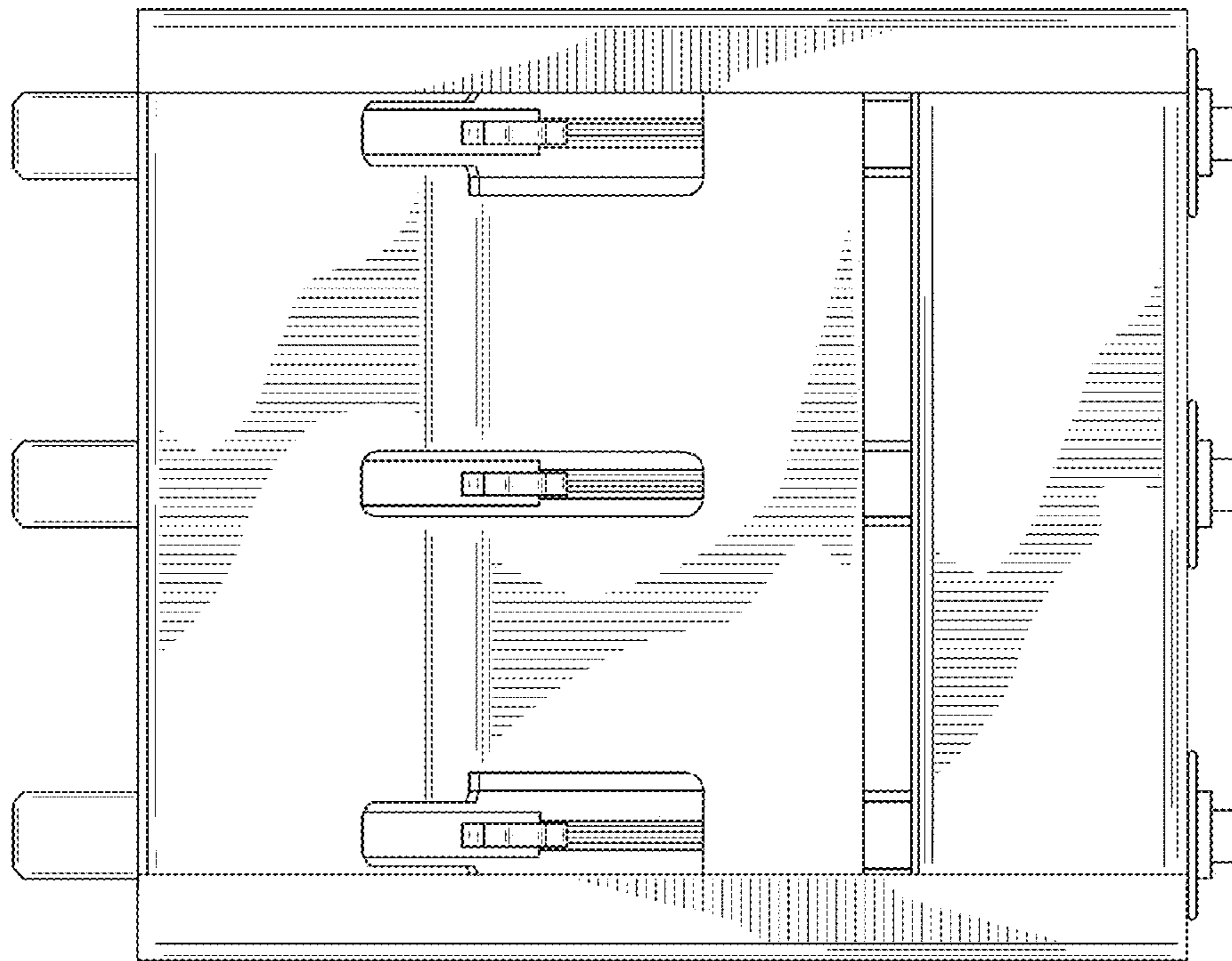


FIG. 7

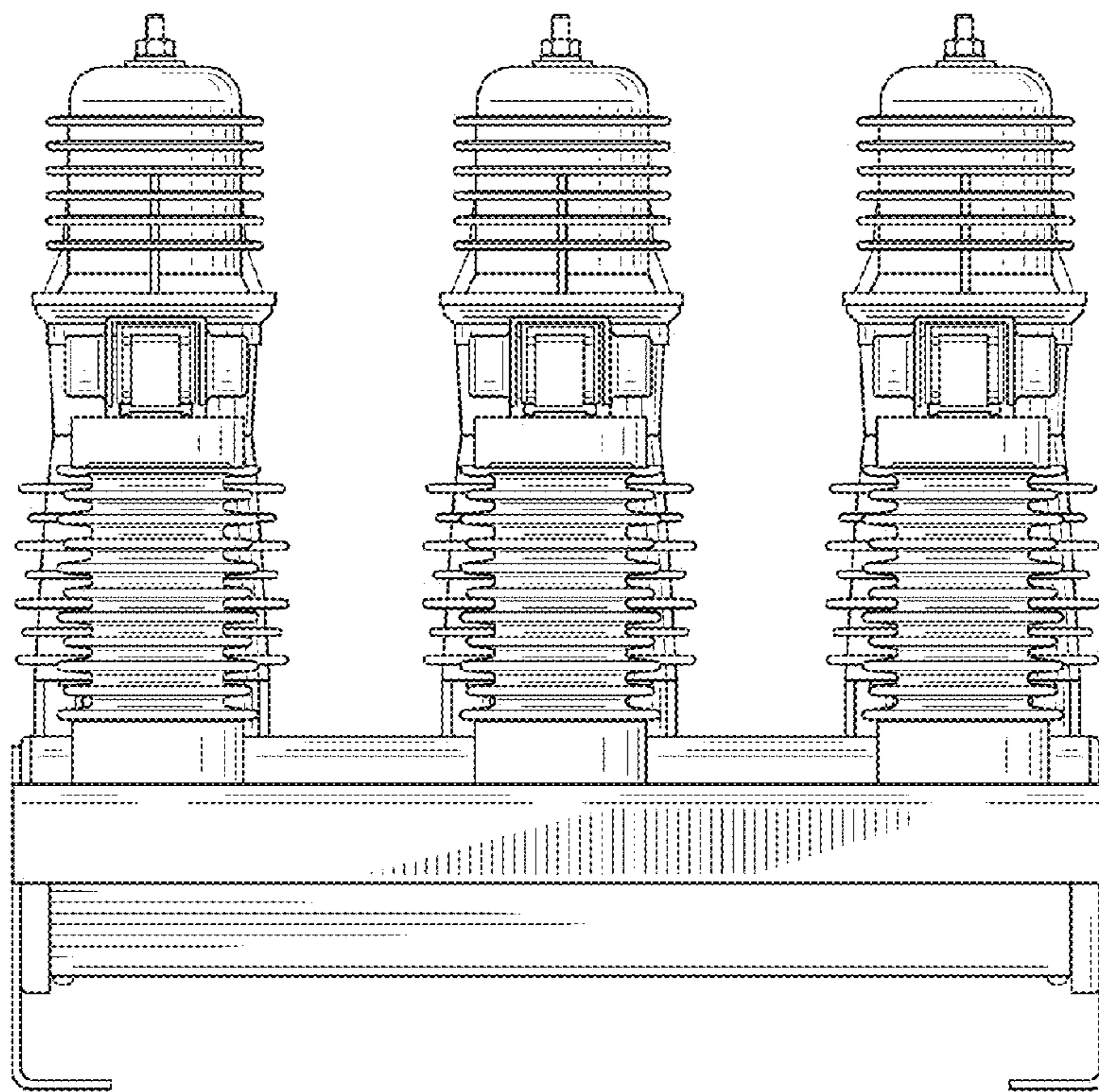


FIG. 8

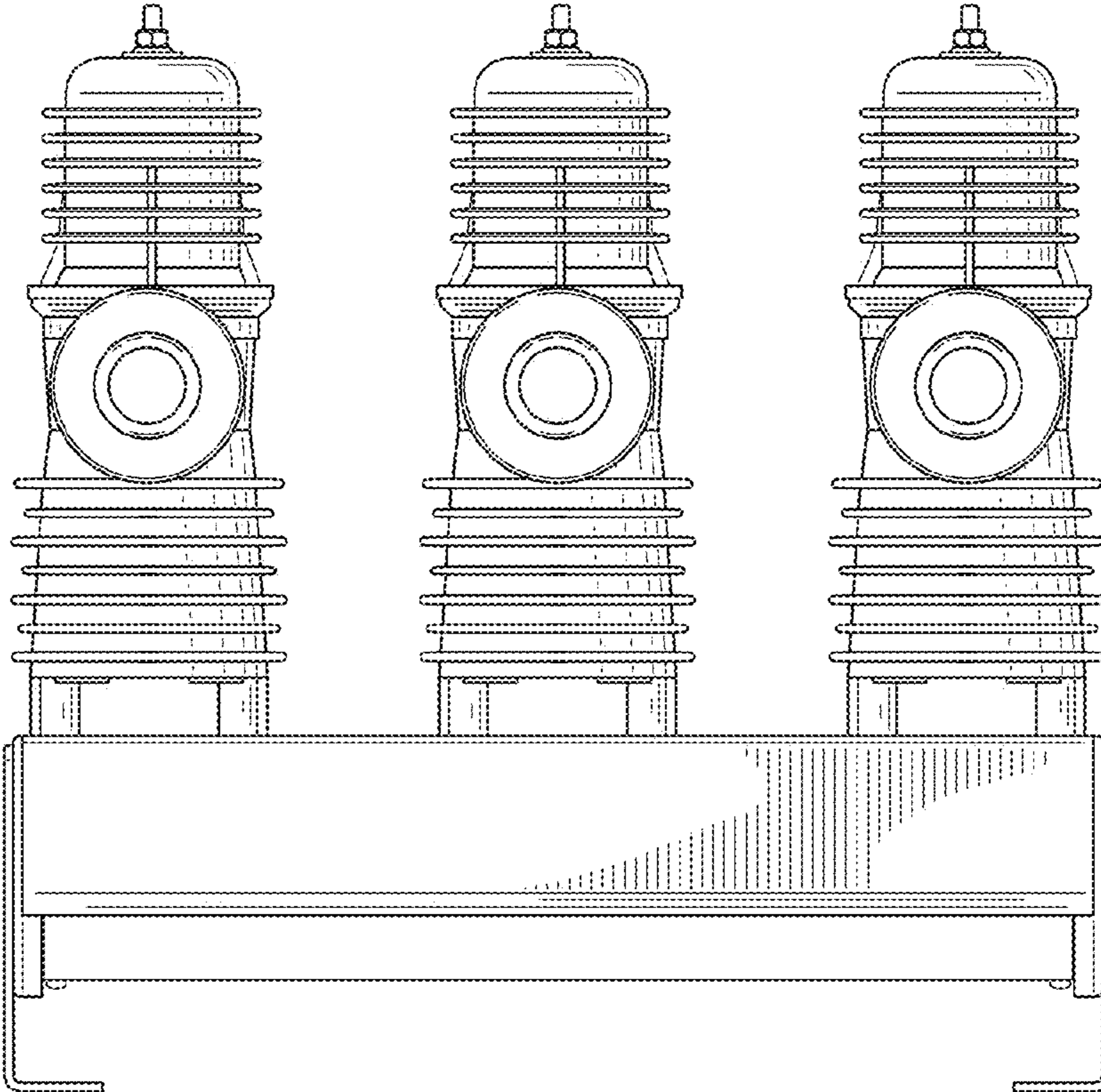


FIG. 9

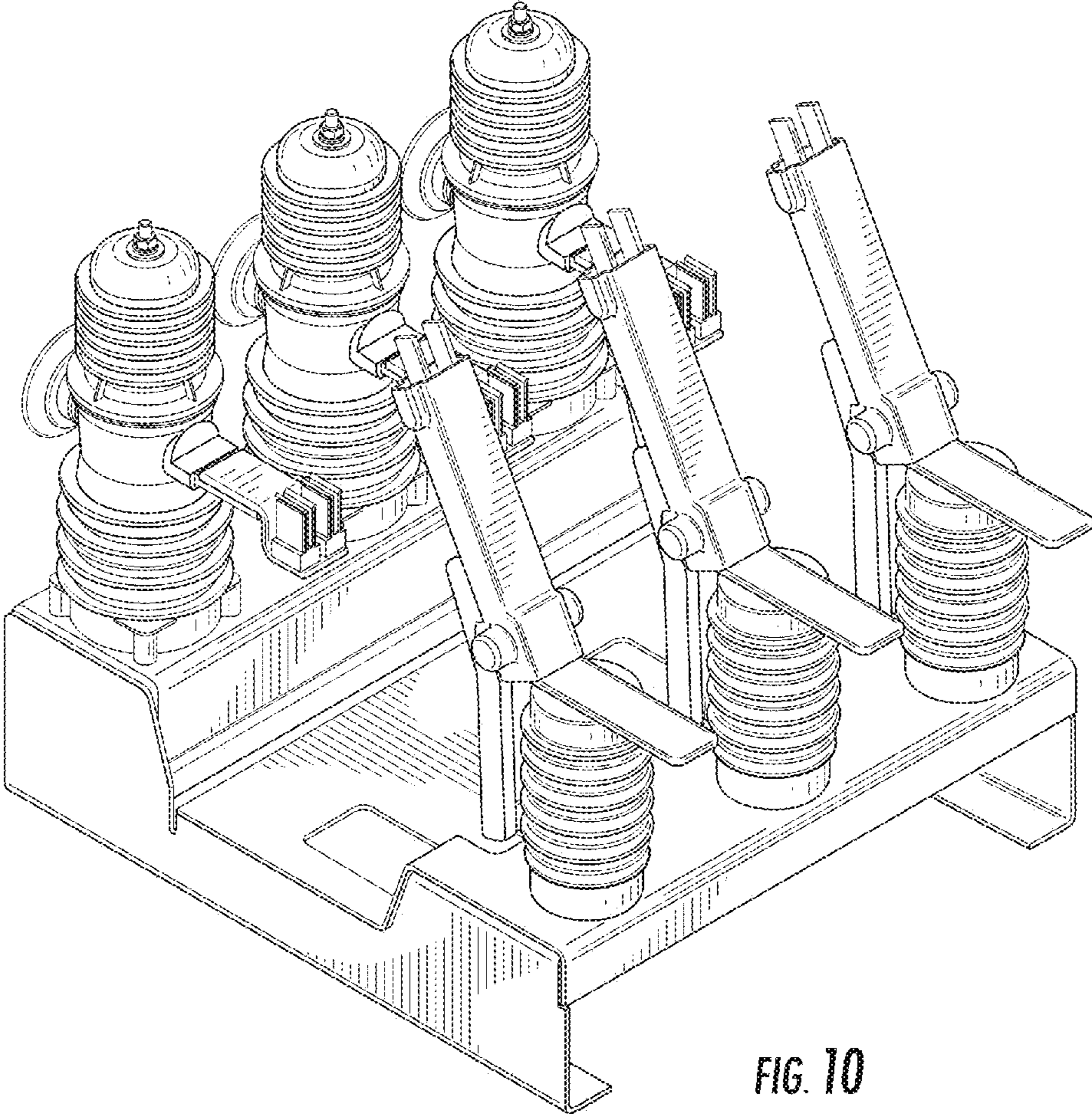


FIG. 10

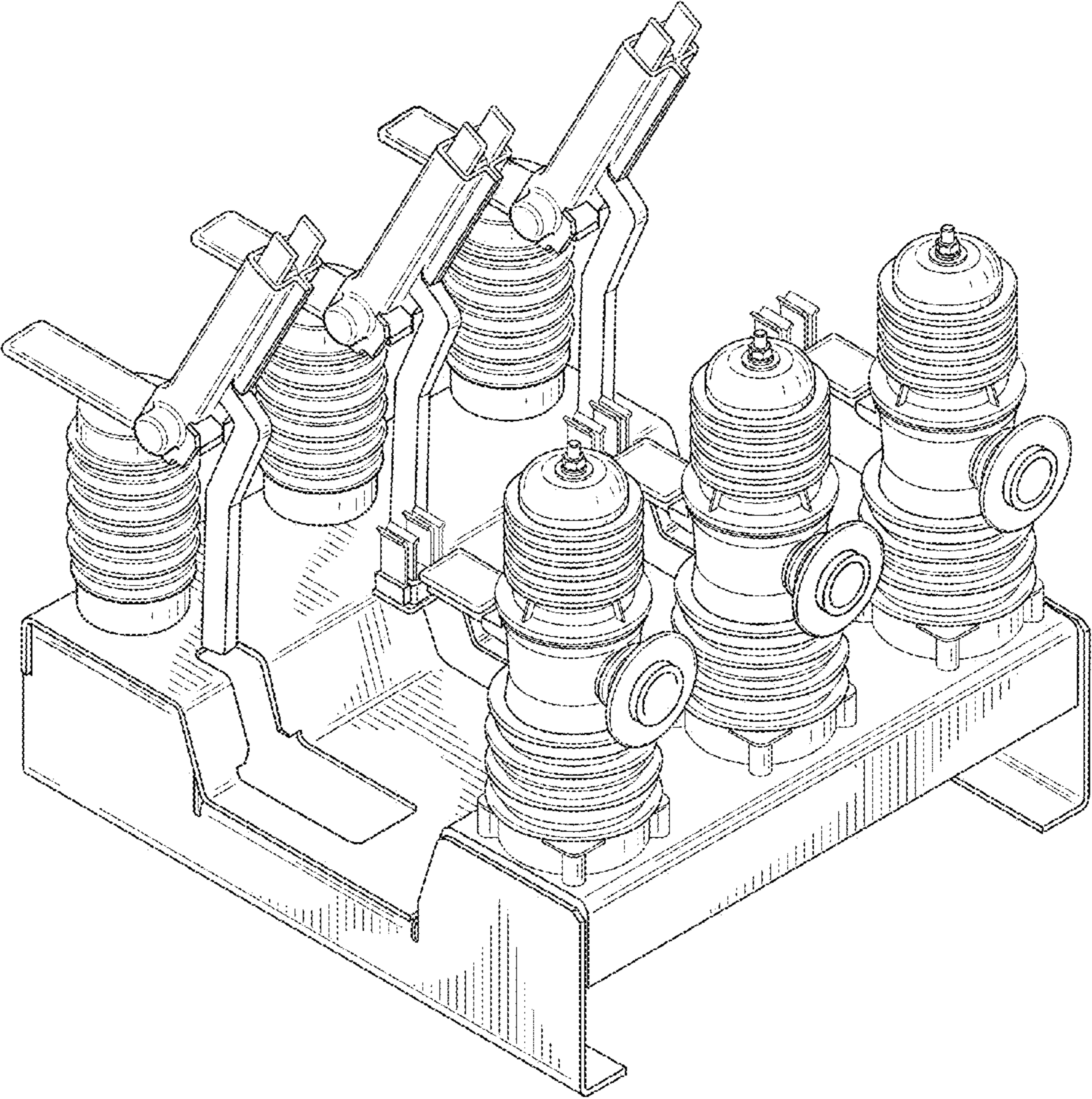


FIG. 11

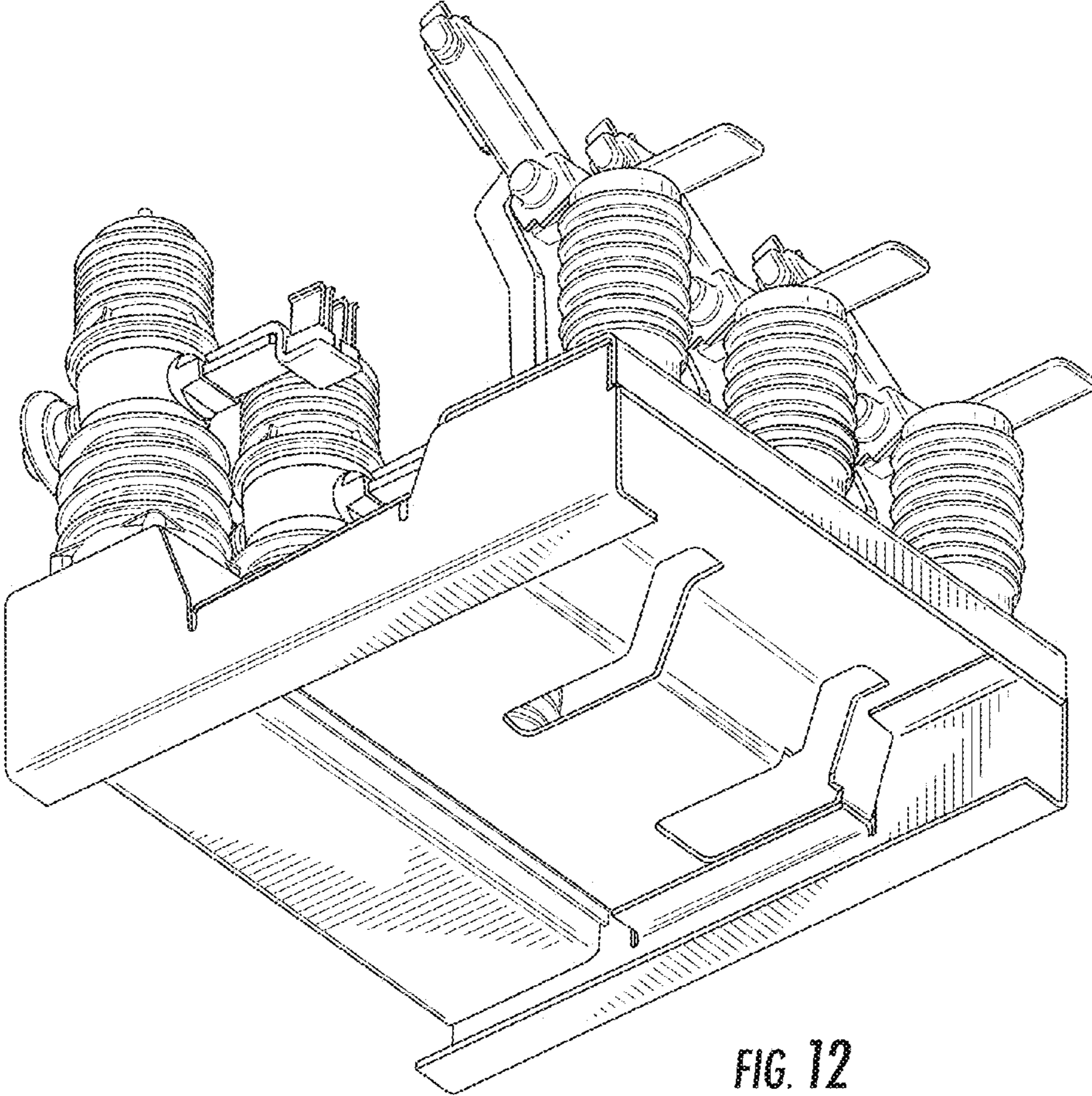


FIG. 12

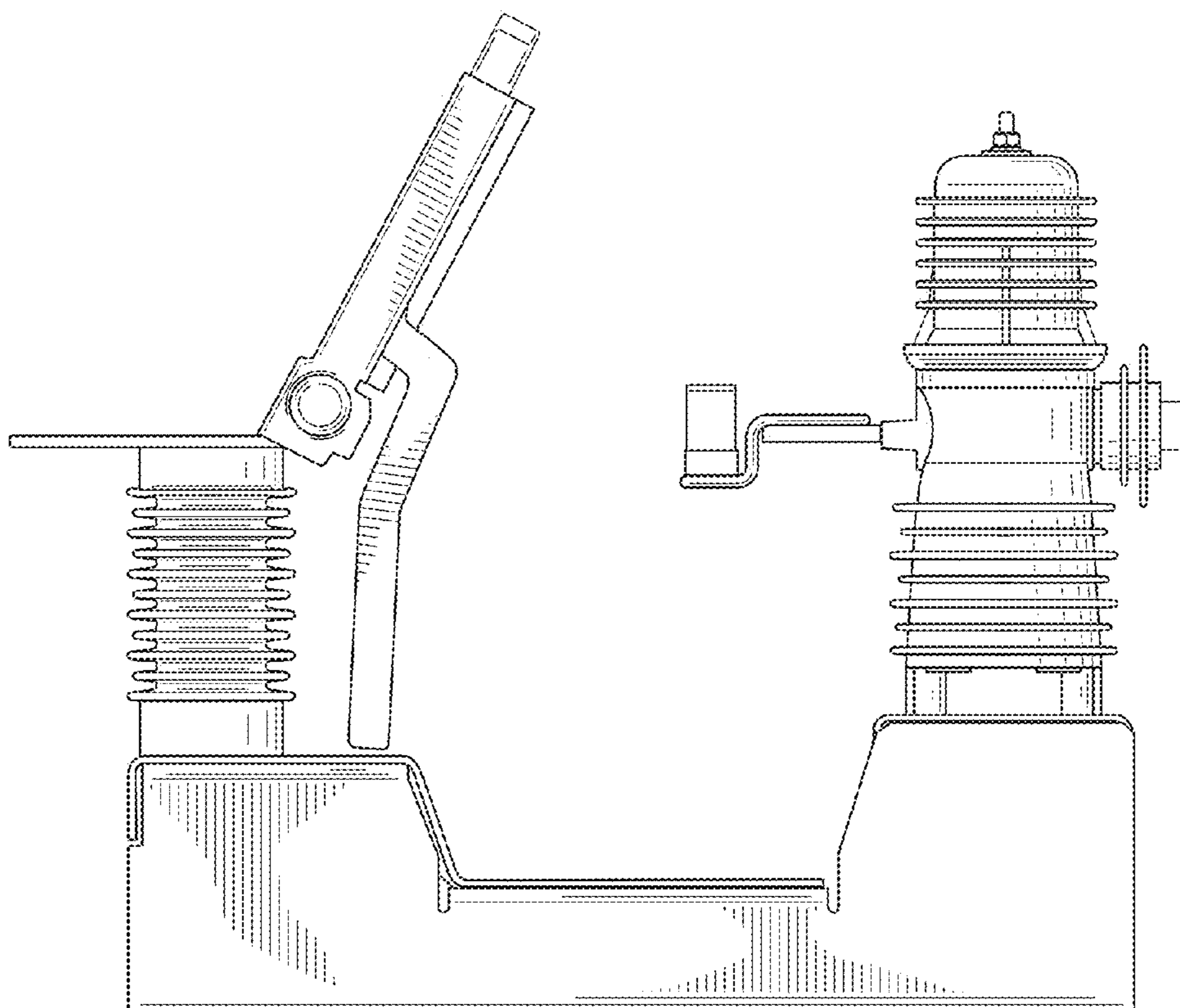


FIG. 13

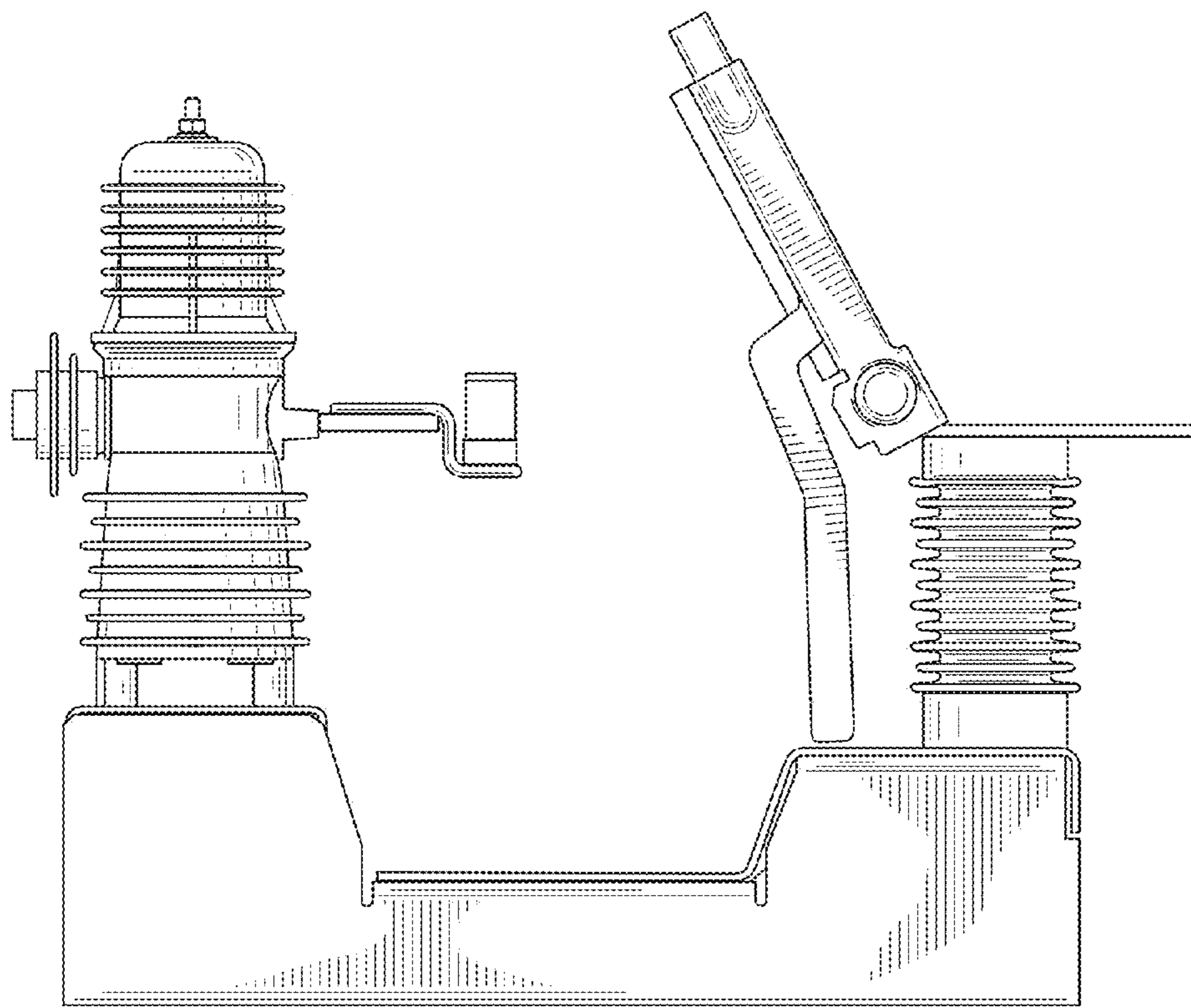


FIG. 14

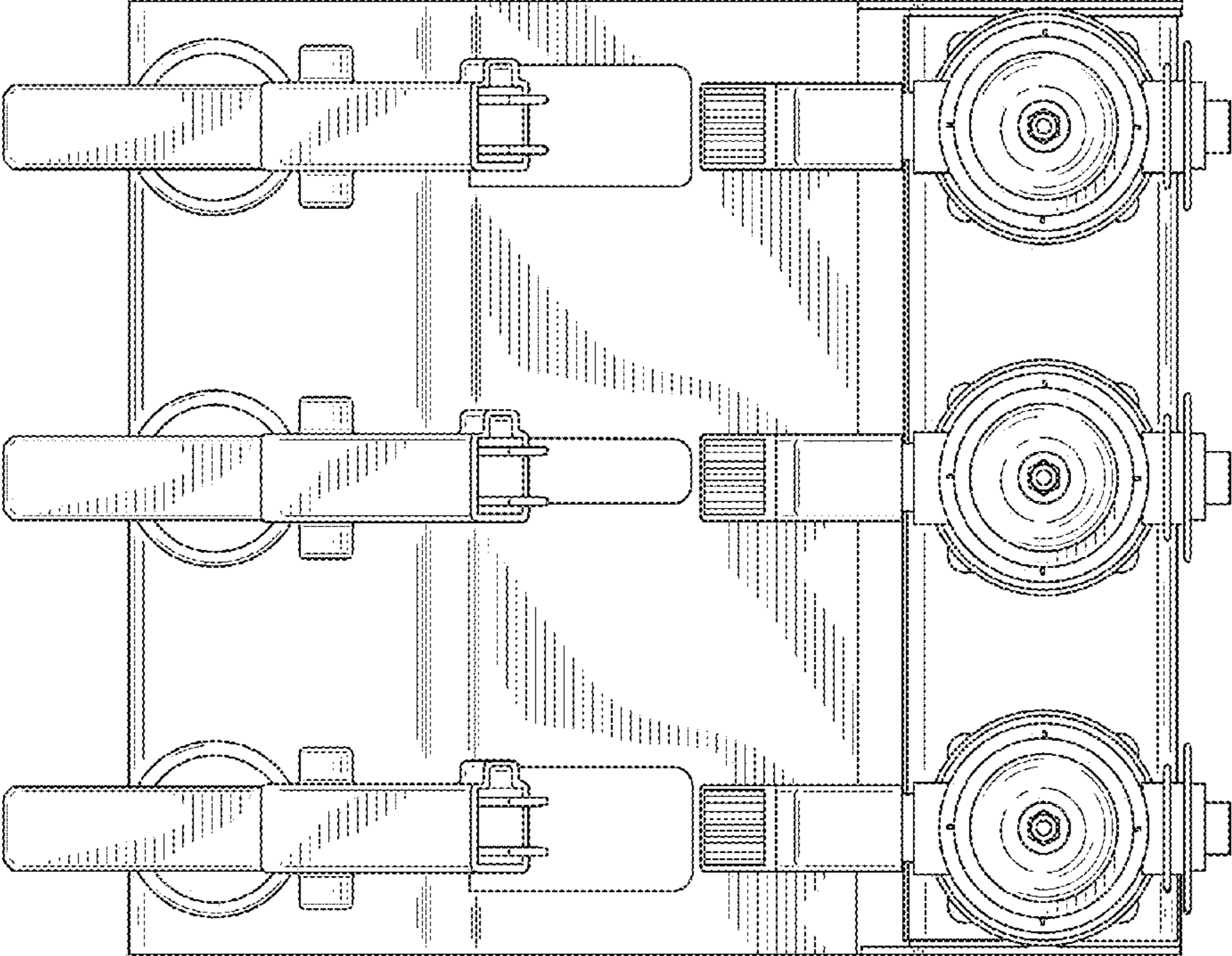


FIG. 15

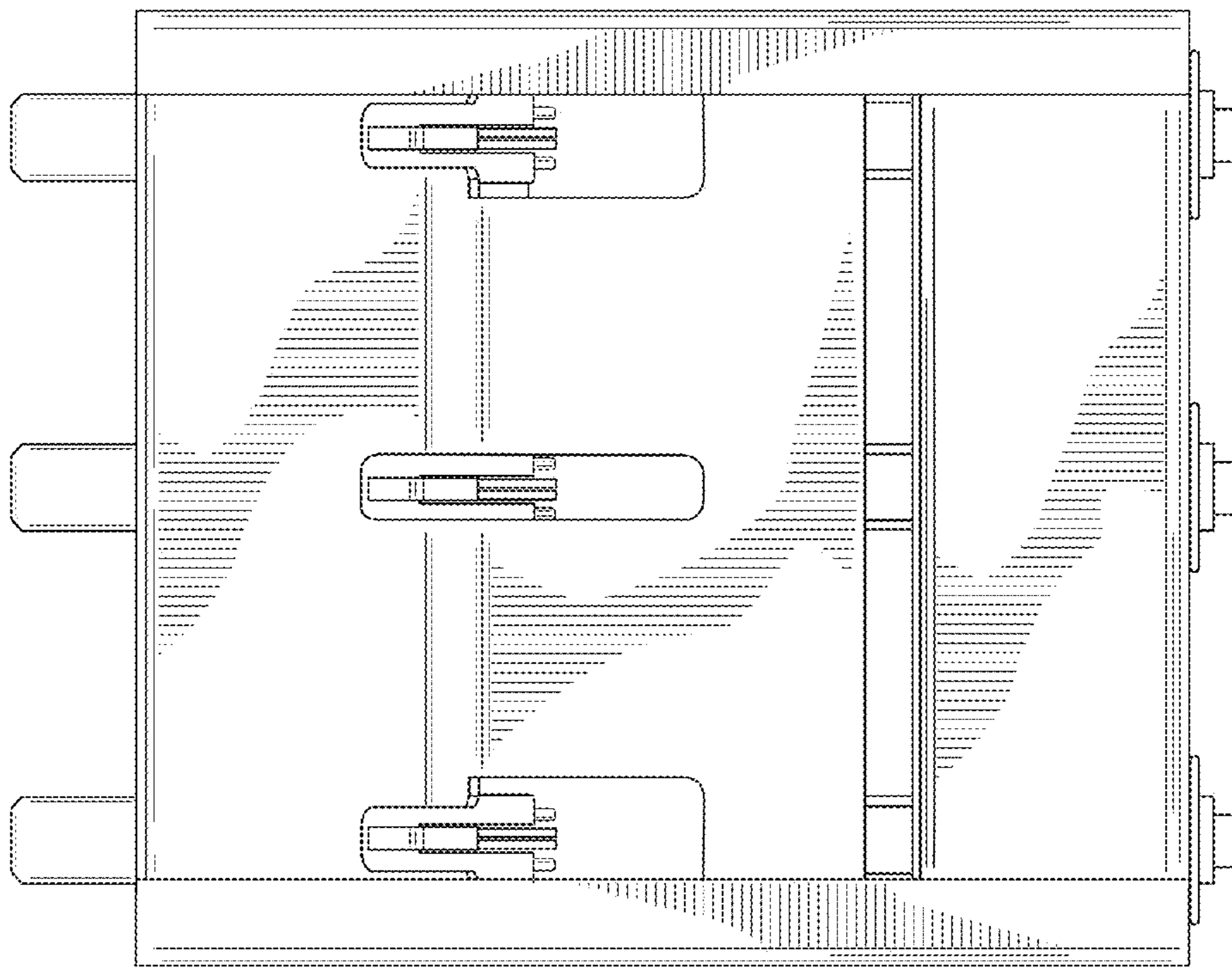


FIG. 16

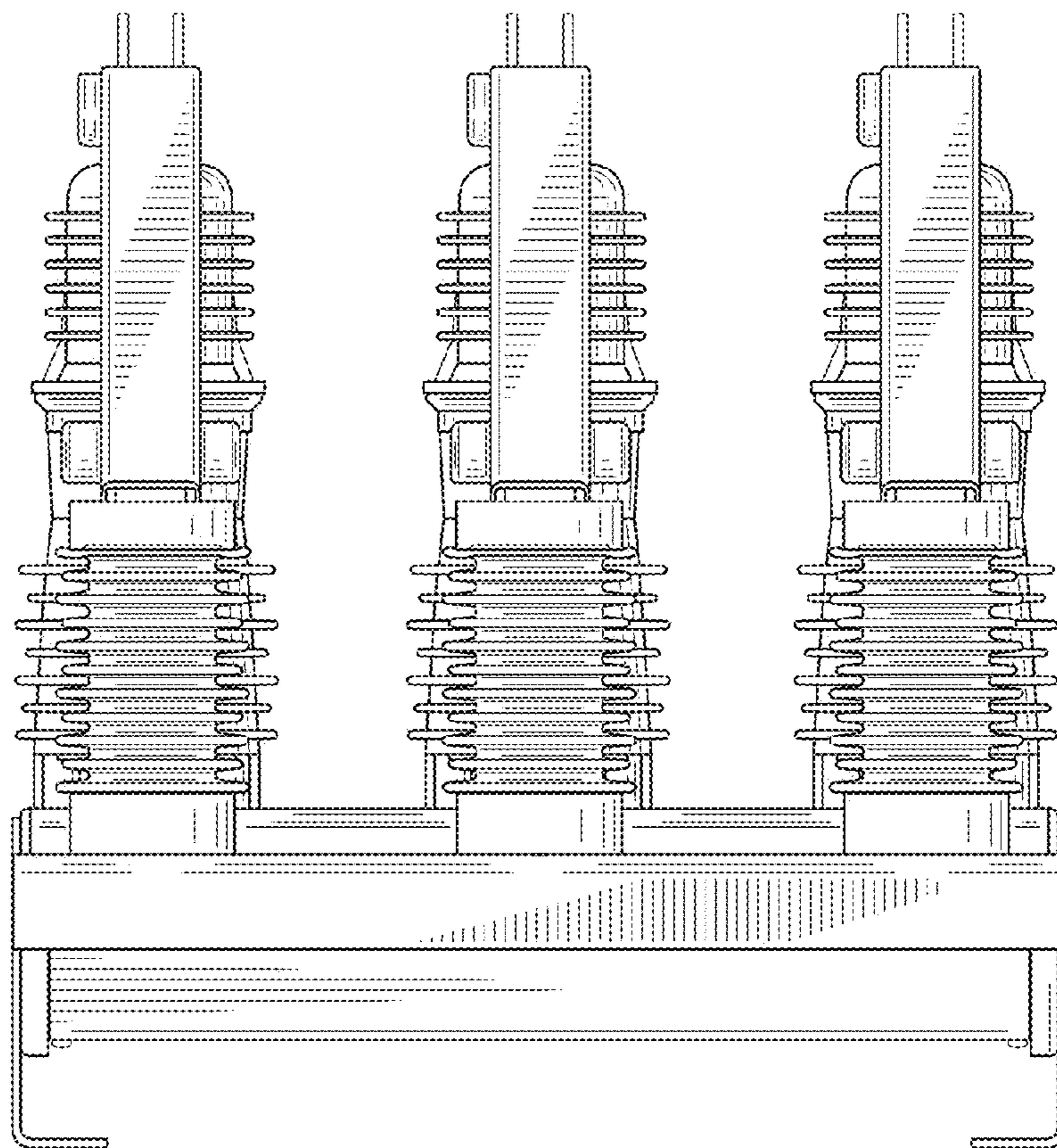


FIG. 17

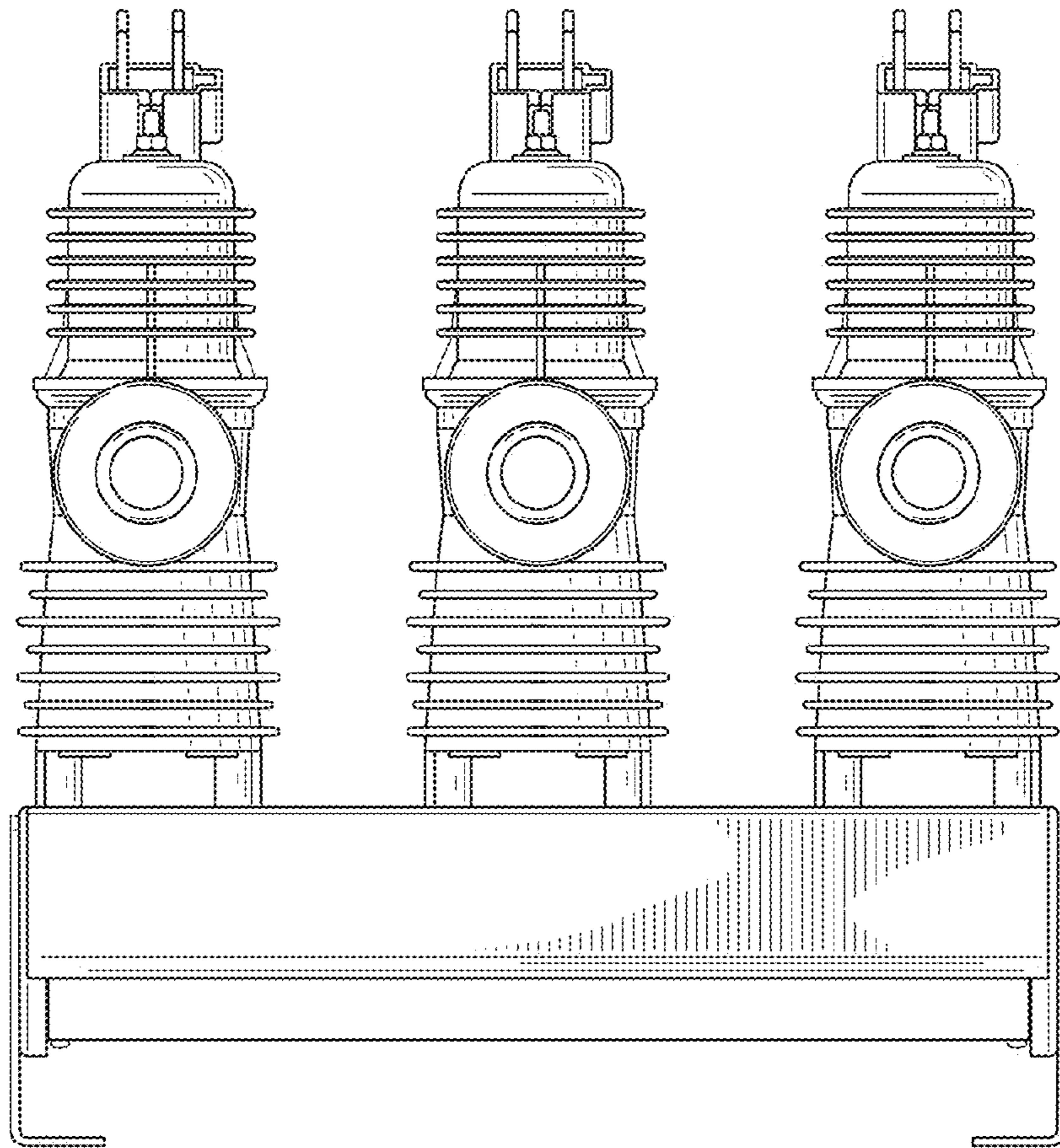


FIG. 18