



US00D693312S

(12) **United States Design Patent**  
**Niestrat et al.**

(10) **Patent No.:** **US D693,312 S**  
(45) **Date of Patent:** **\*\* Nov. 12, 2013**

(54) **ELECTRICAL CABLE CLIP**

FOREIGN PATENT DOCUMENTS

- (75) Inventors: **Dirk Niestrat**, Loehne (DE); **Ralf Holtmann**, Buende (DE)
- (73) Assignee: **HORA-WERK GmbH**, Buende (DE)
- (\*\*) Term: **14 Years**
- (21) Appl. No.: **29/389,162**
- (22) Filed: **Apr. 7, 2011**
- (30) **Foreign Application Priority Data**

|    |                 |         |
|----|-----------------|---------|
| DE | 2110288         | 9/1972  |
| DE | 2745531 A1      | 4/1978  |
| DE | 2651589 A1      | 5/1978  |
| DE | 7821308 U1      | 12/1979 |
| DE | 3417010 A1      | 11/1985 |
| DE | 4038362 A1      | 6/1992  |
| DE | 29903000 U1     | 7/1999  |
| DE | 10005260 A1     | 9/2000  |
| DE | 202004002915 U1 | 6/2004  |
| DE | 102007058040 A1 | 6/2009  |
| DE | 102007058051 B3 | 8/2009  |
| DE | 202010005215 U1 | 9/2010  |
| DE | 202010008762 U1 | 2/2011  |
| EP | 1107363 A1      | 6/2001  |
| FR | 2123622         | 9/1972  |

Oct. 8, 2010 (EM) ..... 001765793-0001

- (51) **LOC (9) Cl.** ..... **13-03**
- (52) **U.S. Cl.**  
USPC ..... **D13/155**
- (58) **Field of Classification Search**  
USPC ..... D13/155, 123, 133, 148, 149, 151, 154,  
D13/184, 199; 361/437, 535, 538, 679.01;  
439/775, 776, 777, 778, 779, 794, 798  
See application file for complete search history.

\* cited by examiner

*Primary Examiner* — Derrick Holland

(74) *Attorney, Agent, or Firm* — Sughrue Mion, PLLC

(57) **CLAIM**

The ornamental design for an electrical cable clip, as shown and described.

**DESCRIPTION**

- FIG. 1—is a front elevational view of an electrical cable clip showing our new design;
- FIG. 2—is a rear elevational view thereof;
- FIG. 3—is a left elevational view thereof;
- FIG. 4—is a top plan view thereof;
- FIG. 5—is a bottom plan view thereof;
- FIG. 6—is a perspective view of the front, top and right sides thereof; and,
- FIG. 7—is a perspective view of the rear, top and left sides thereof.

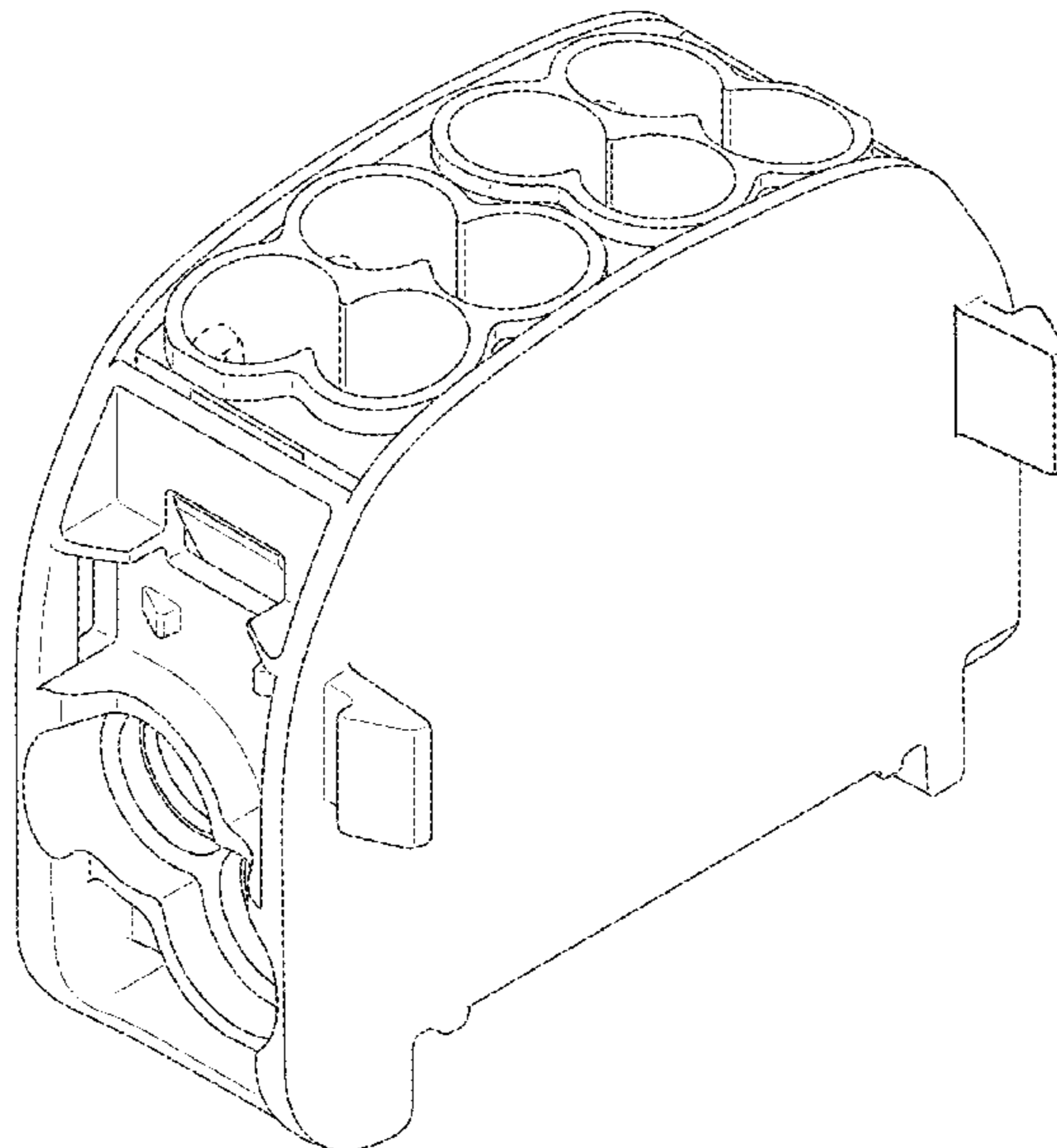
The broken lines shown represent unclaimed subject matter and form no part of the claimed design.

(56) **References Cited**

U.S. PATENT DOCUMENTS

|                 |         |                      |       |         |
|-----------------|---------|----------------------|-------|---------|
| D309,664 S *    | 7/1990  | McGrane              | ..... | D13/151 |
| D346,150 S *    | 4/1994  | Triantopoulos        | ..... | D13/149 |
| 7,481,684 B2 *  | 1/2009  | Bundren              | ..... | 439/798 |
| D591,244 S *    | 4/2009  | Birmingham et al.    | ..... | D13/154 |
| 7,520,786 B2 *  | 4/2009  | Triantopoulos et al. | ..... | 439/798 |
| D593,958 S *    | 6/2009  | Sweeney et al.       | ..... | D13/155 |
| D594,825 S *    | 6/2009  | Sweeney et al.       | ..... | D13/155 |
| D614,142 S *    | 4/2010  | Fong                 | ..... | D13/151 |
| 7,931,508 B1 *  | 4/2011  | Carr                 | ..... | 439/798 |
| 2007/0249239 A1 | 10/2007 | Tamm et al.          |       |         |

**1 Claim, 7 Drawing Sheets**



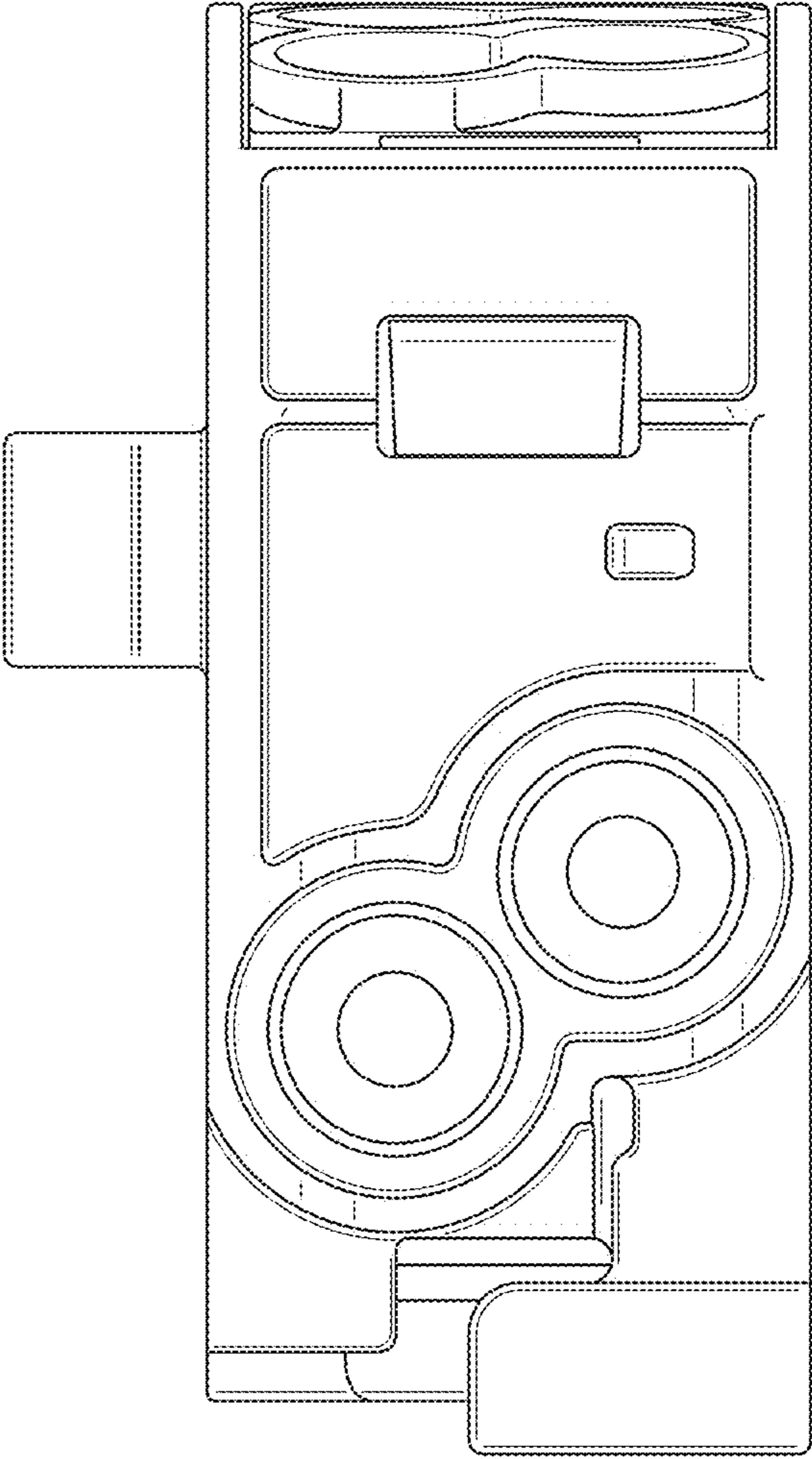


FIG. 1

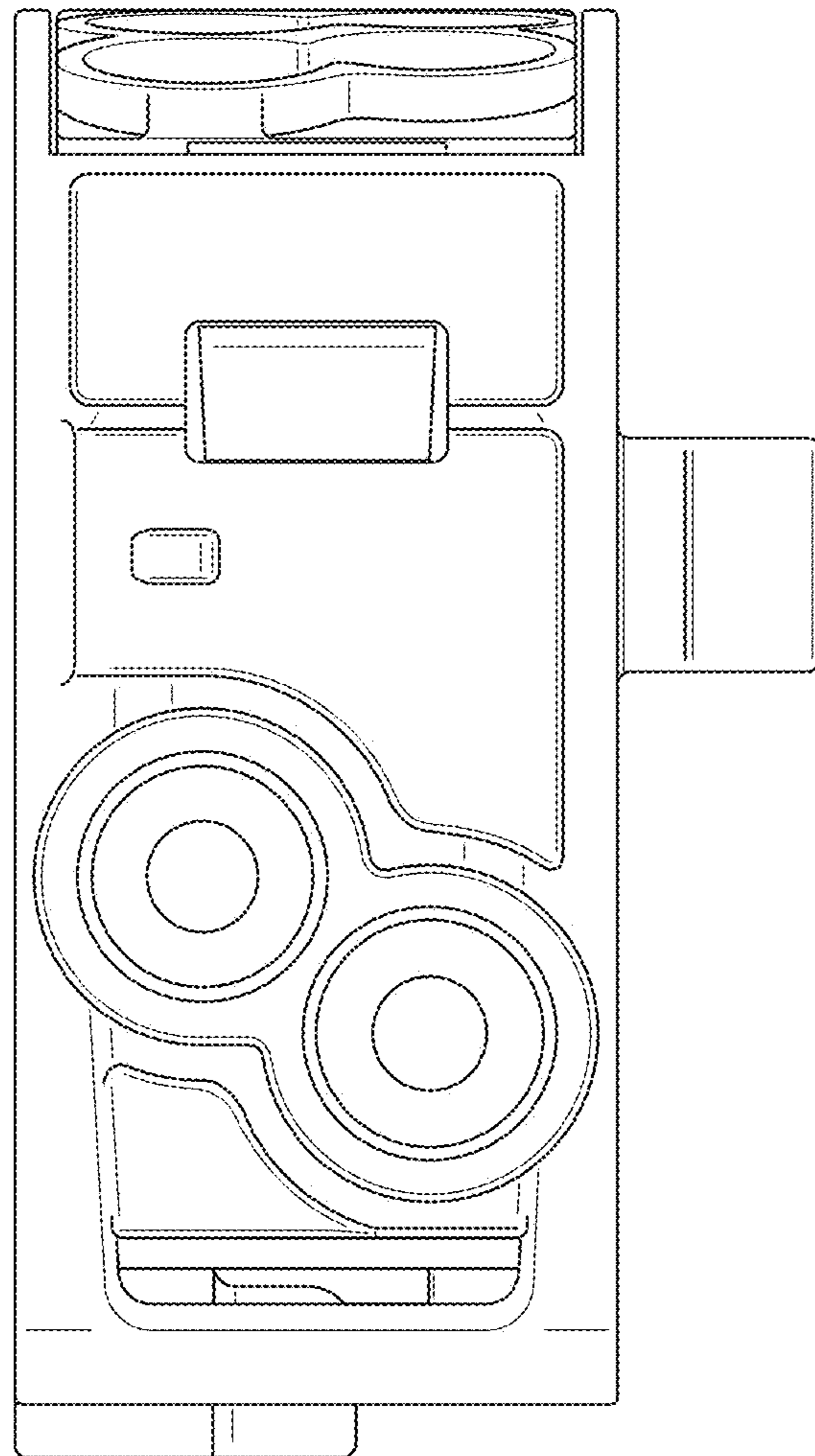


FIG. 2

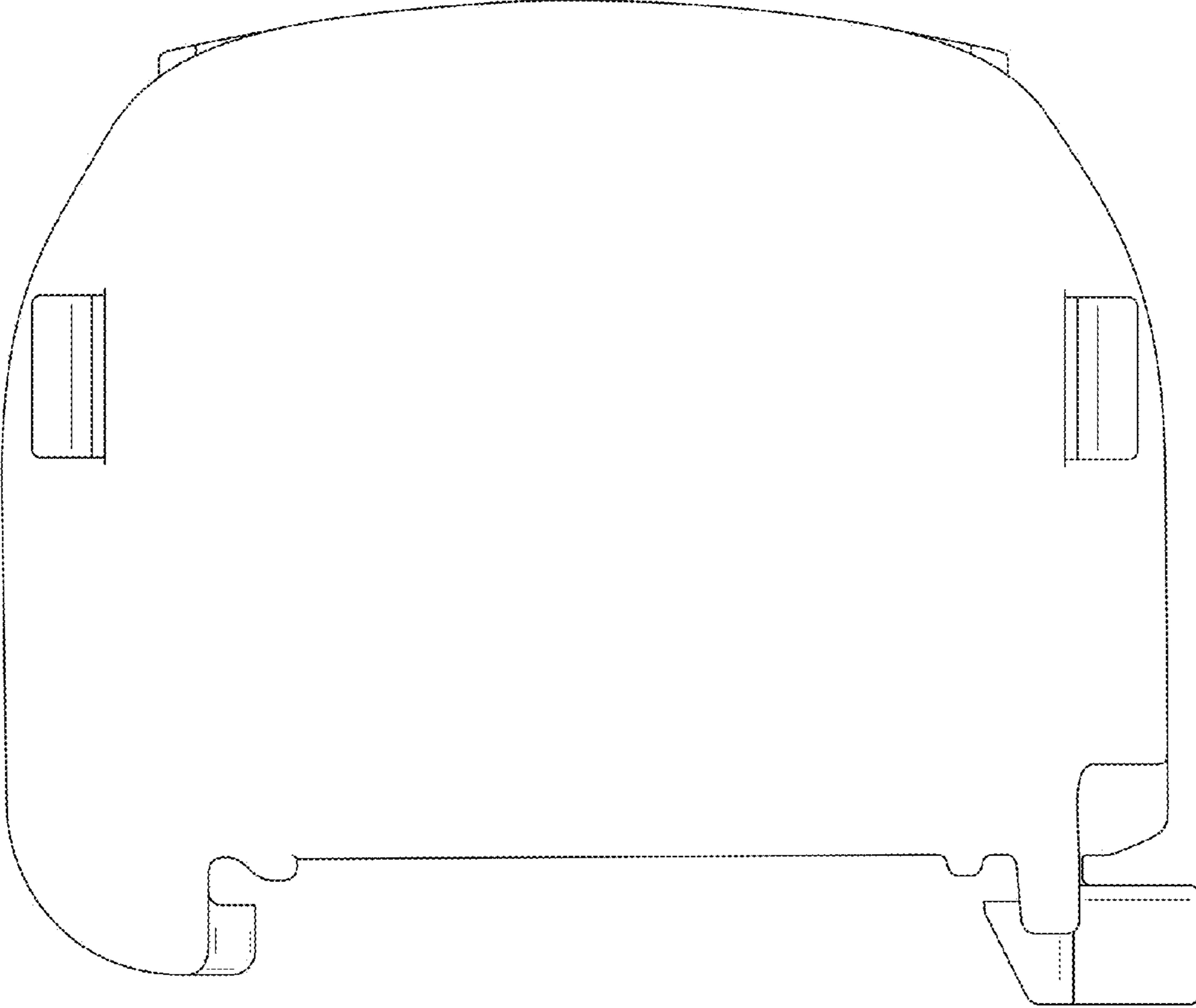


FIG. 3

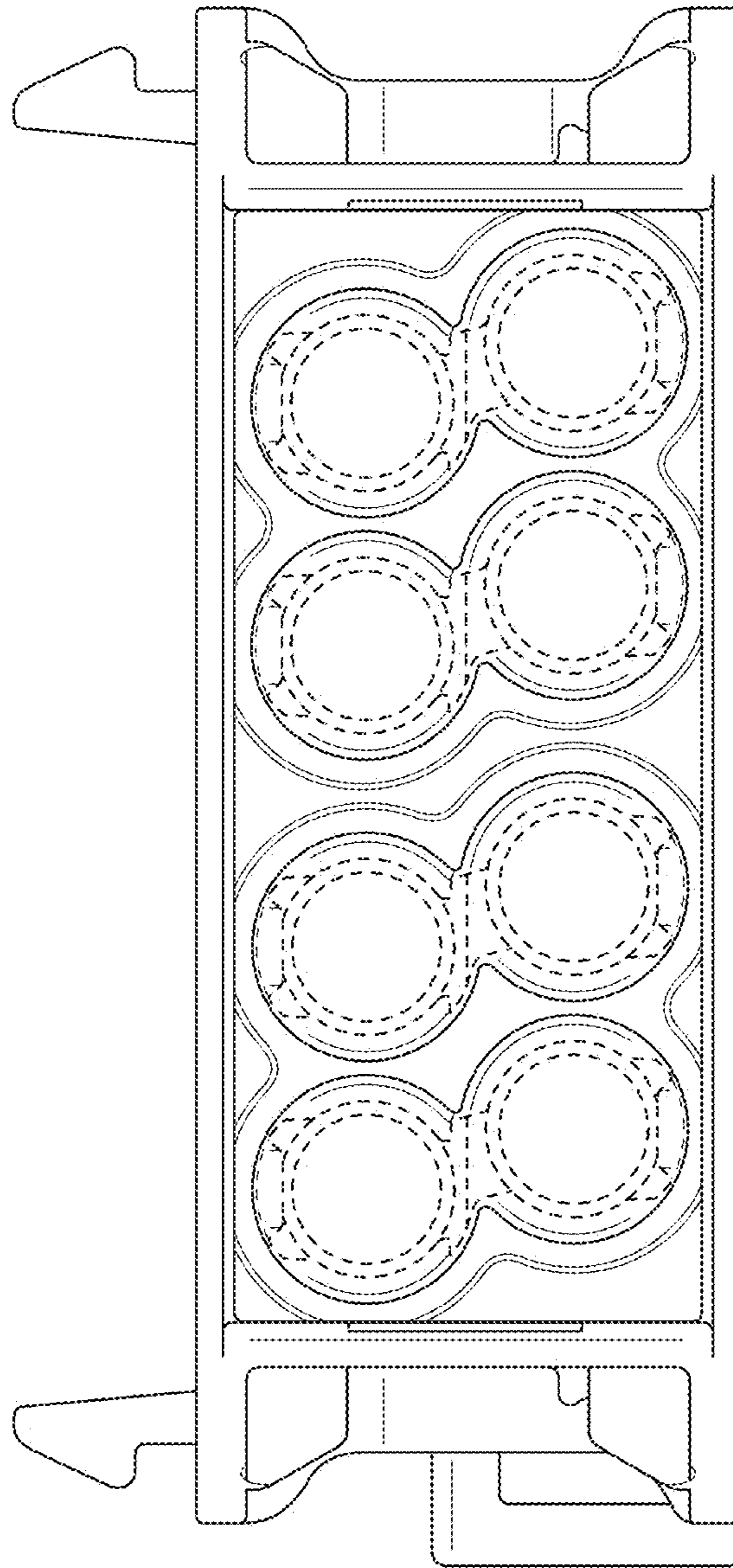


FIG. 4

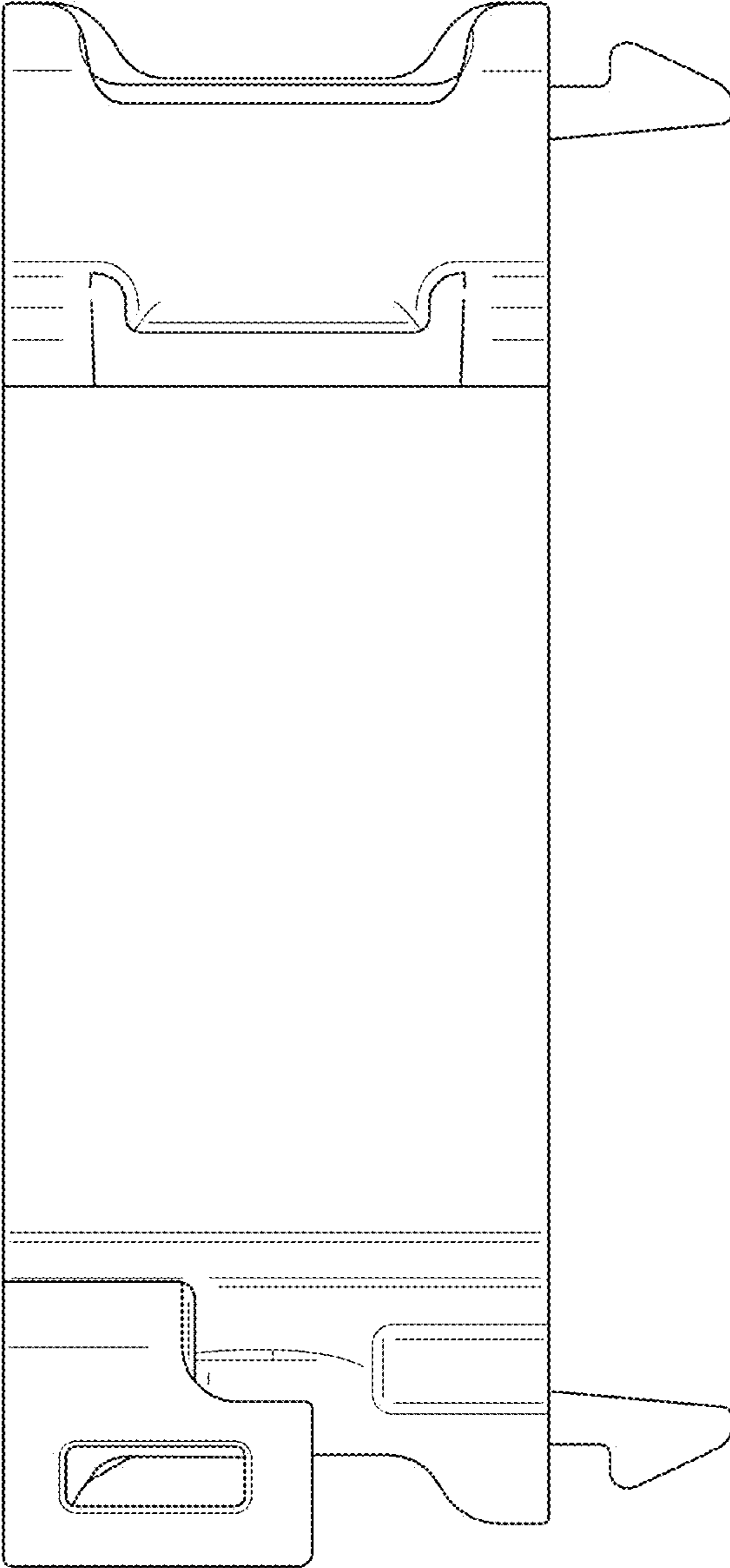


FIG. 5

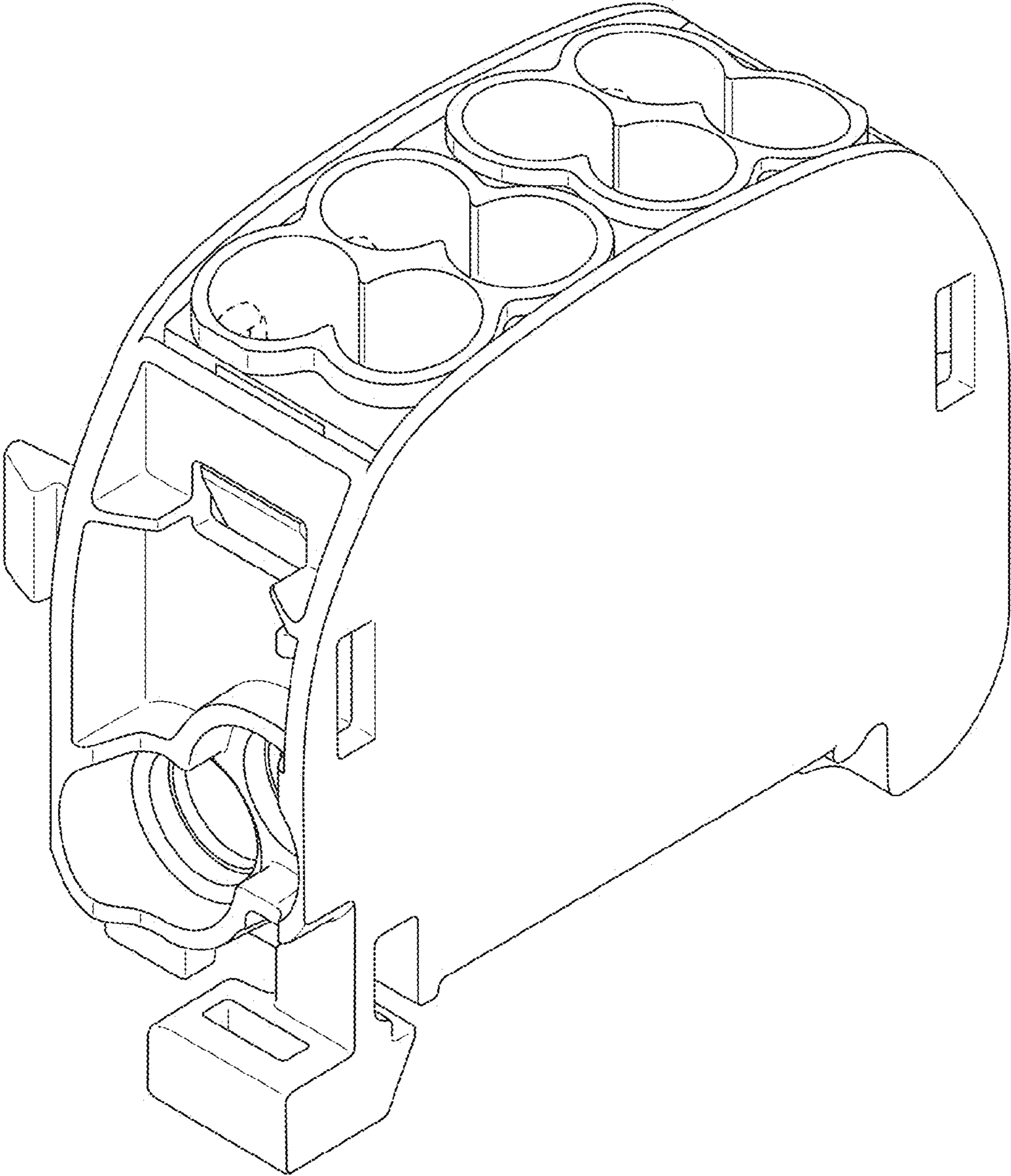


FIG. 6

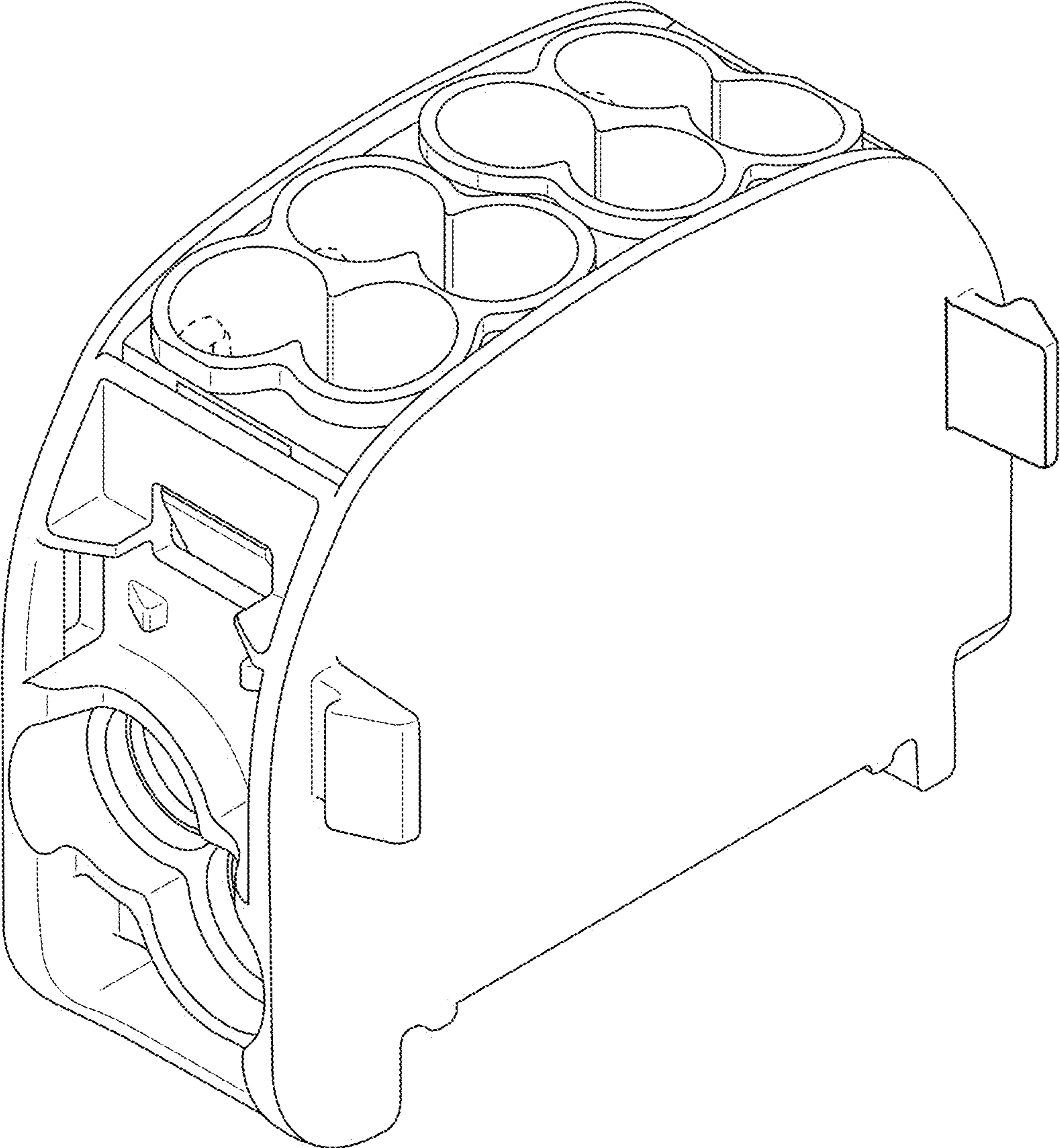


FIG. 7