



US00D693310S

(12) **United States Design Patent**  
**Wang**

(10) **Patent No.:** **US D693,310 S**

(45) **Date of Patent:** **\*\* Nov. 12, 2013**

(54) **WATERPROOF USB CONNECTOR**

(75) Inventor: **Fei Wang**, Shenzhen (CN)

(73) Assignee: **Hon Hai Precision Industry Co., Ltd.**,  
New Taipei (TW)

(\*\*) Term: **14 Years**

(21) Appl. No.: **29/427,026**

(22) Filed: **Jul. 12, 2012**

(30) **Foreign Application Priority Data**

Jan. 12, 2012 (CN) ..... 2012 3 0008699

(51) **LOC (9) Cl.** ..... **13-03**

(52) **U.S. Cl.**  
USPC ..... **D13/147**

(58) **Field of Classification Search**  
USPC ..... D13/147, 154, 184, 199; 439/79, 108,  
439/378, 567, 607.01, 607.04, 607.05,  
439/607.17, 607.25, 607.34, 607.41,  
439/607.53, 660, 668, 680  
See application file for complete search history.

(56) **References Cited**

**U.S. PATENT DOCUMENTS**

D618,622 S \* 6/2010 Chiang et al. .... D13/147  
D618,623 S \* 6/2010 Peng ..... D13/147

D635,925 S \* 4/2011 Liu et al. .... D13/147  
D653,622 S \* 2/2012 Wang et al. .... D13/147  
D660,244 S \* 5/2012 Yudate ..... D13/147  
D664,925 S \* 8/2012 Yudate ..... D13/147

**FOREIGN PATENT DOCUMENTS**

JP D1409053 3/2011

\* cited by examiner

*Primary Examiner* — Daniel Bui

(74) *Attorney, Agent, or Firm* — Wei Te Chung; Ming Chieh Chang

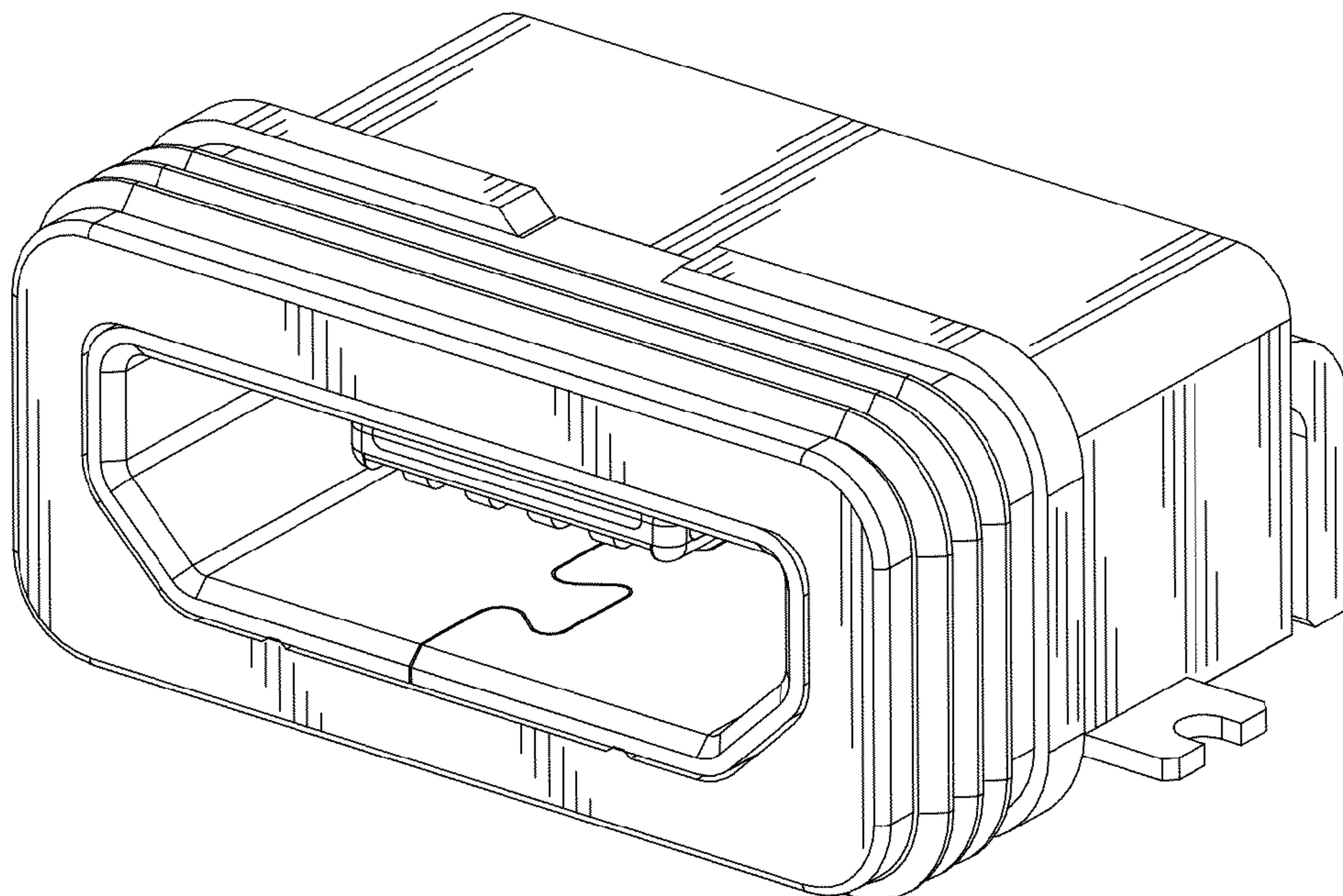
(57) **CLAIM**

The ornamental design for a waterproof USB connector, as shown.

**DESCRIPTION**

FIG. 1 is a front, top, and right perspective view of a waterproof USB connector showing my new design; FIG. 2 is a front elevational view thereof; FIG. 3 is a rear elevational view thereof; FIG. 4 is a left side elevational view thereof; FIG. 5 is a right side elevational view thereof; FIG. 6 is a top plan view thereof; and, FIG. 7 is a bottom plan view thereof. The broken line in the drawing views is included to show unclaimed environment only and forms no part of the claimed design.

**1 Claim, 7 Drawing Sheets**



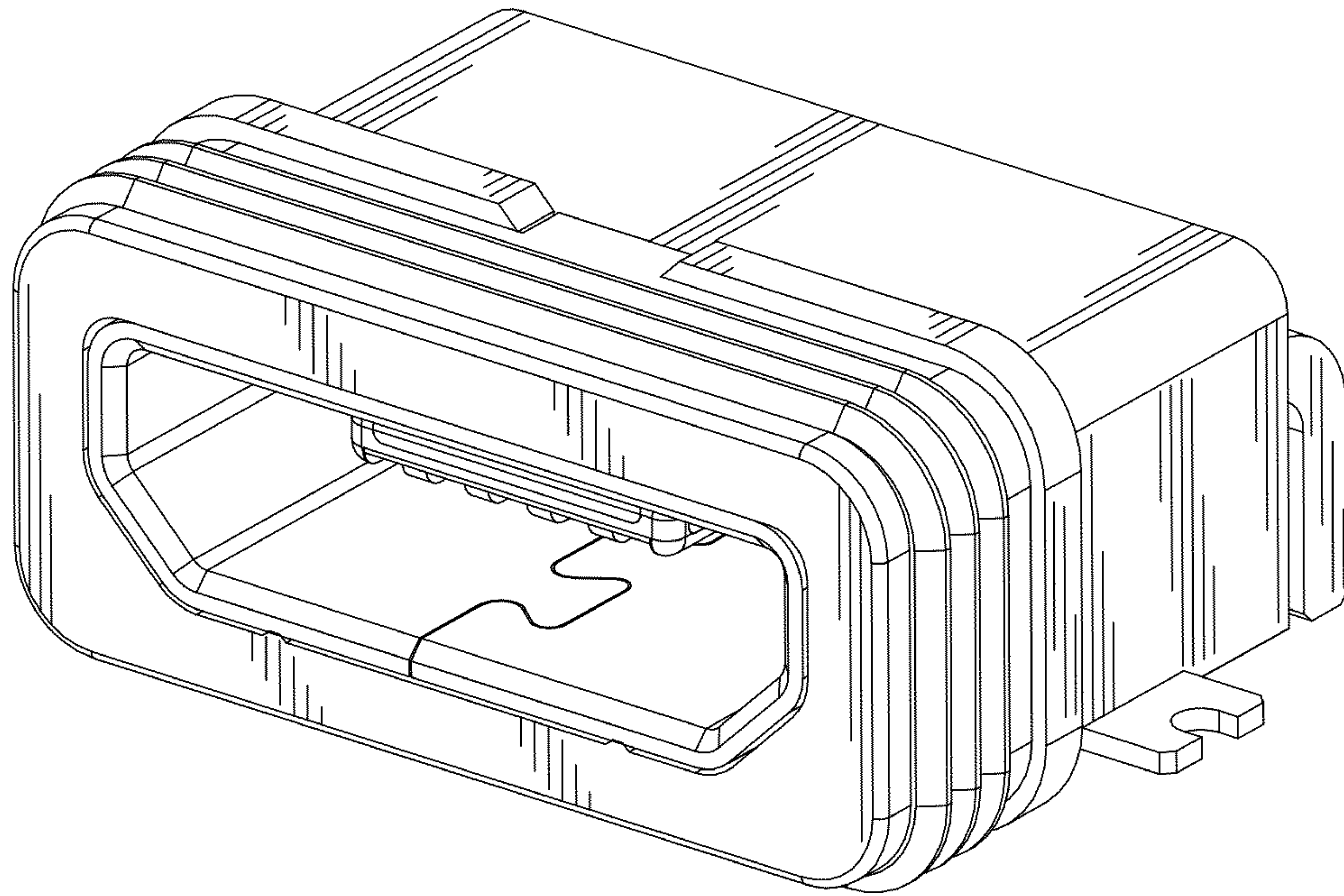


FIG. 1

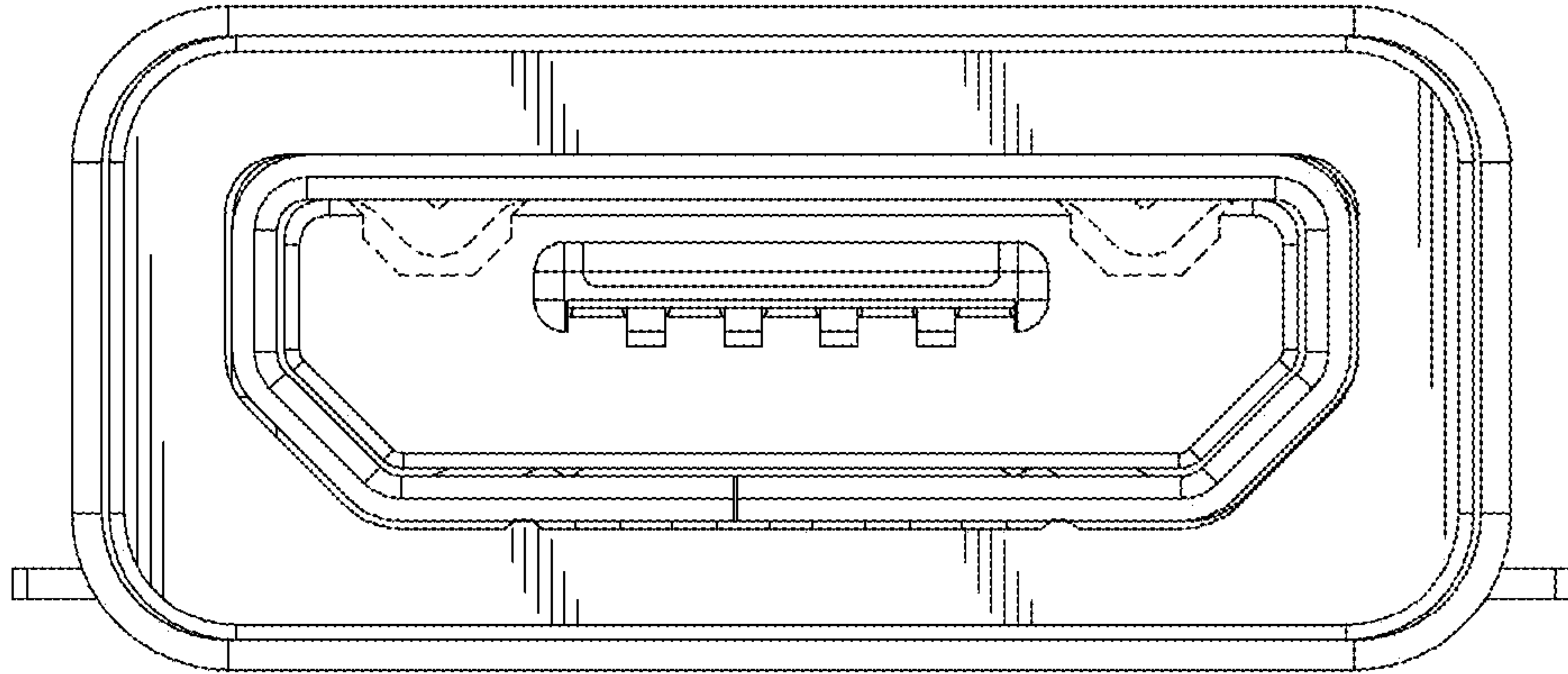


FIG. 2

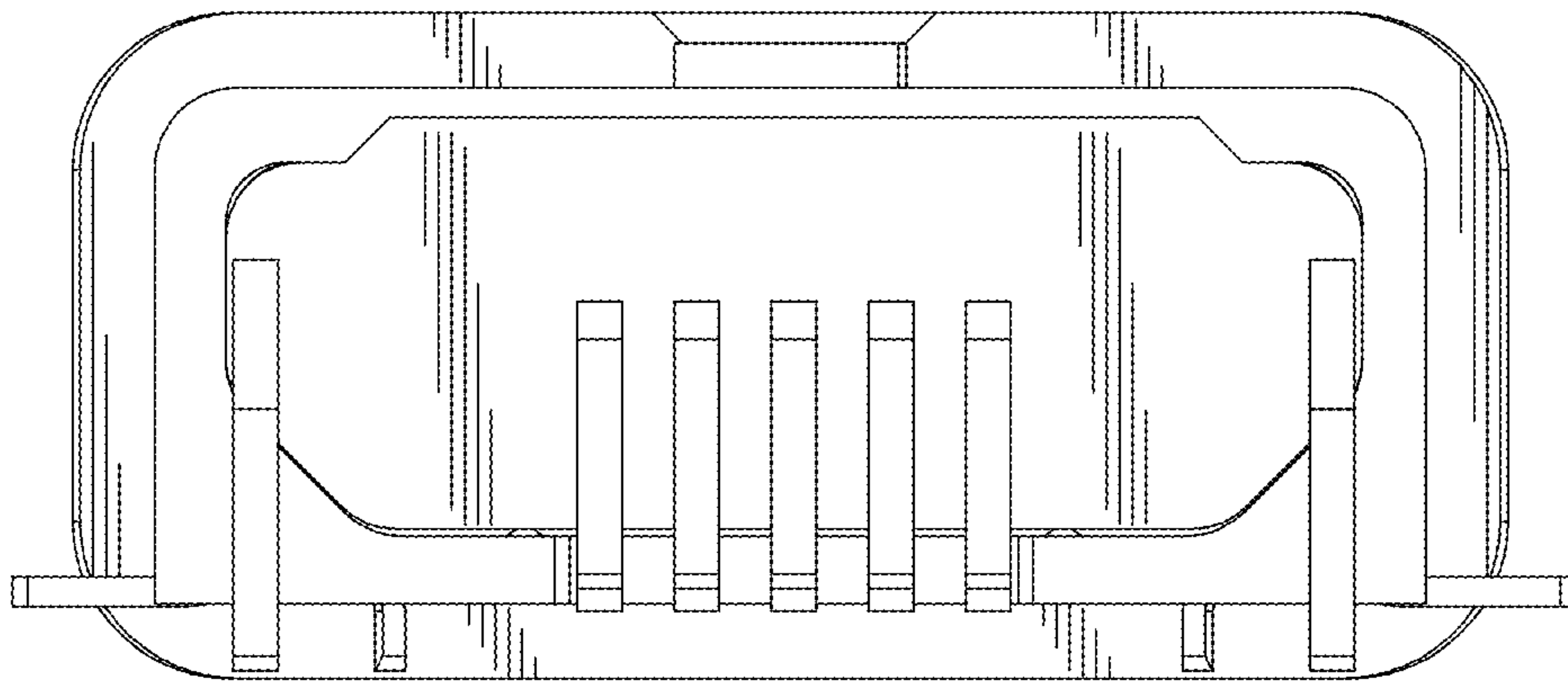


FIG. 3

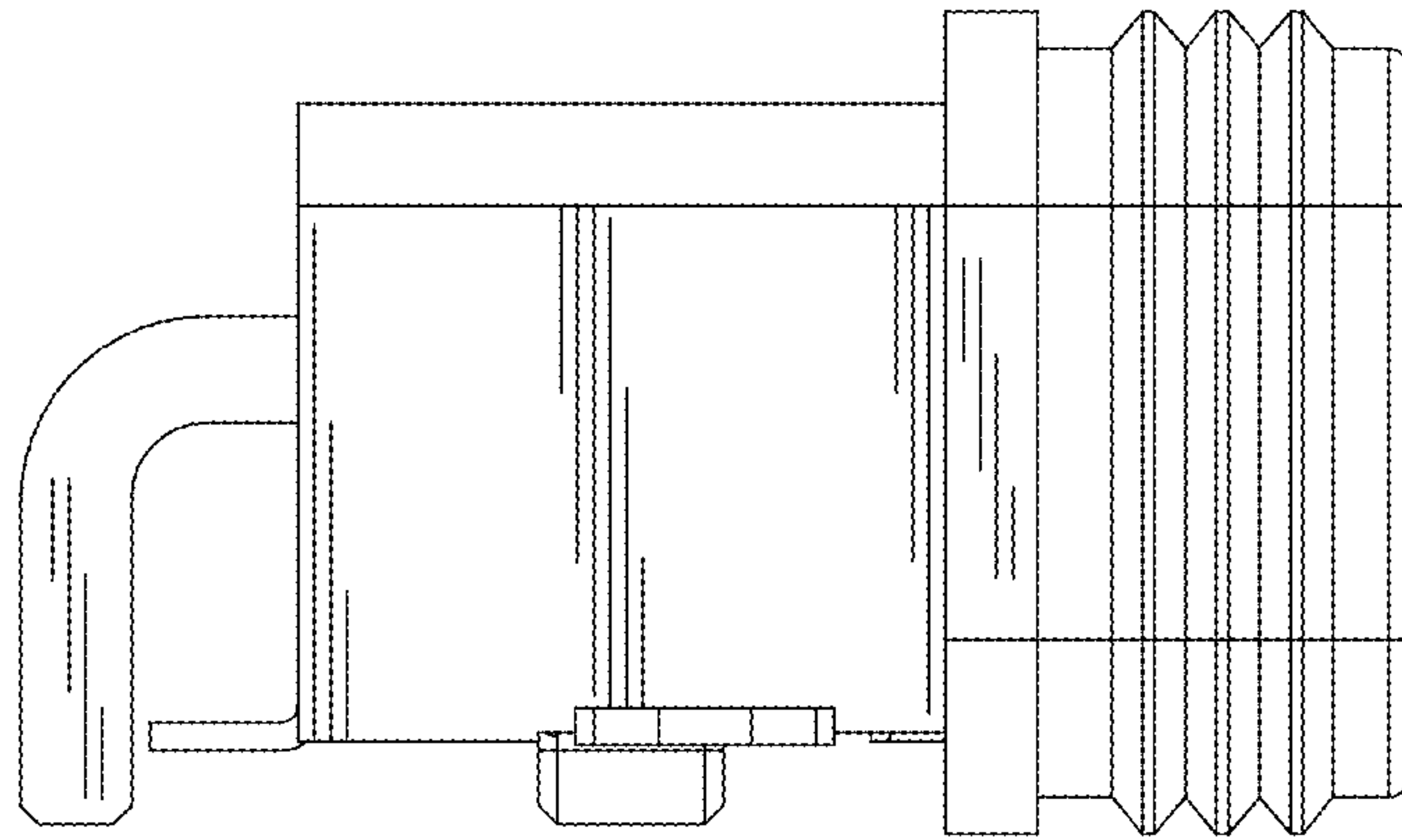


FIG. 4

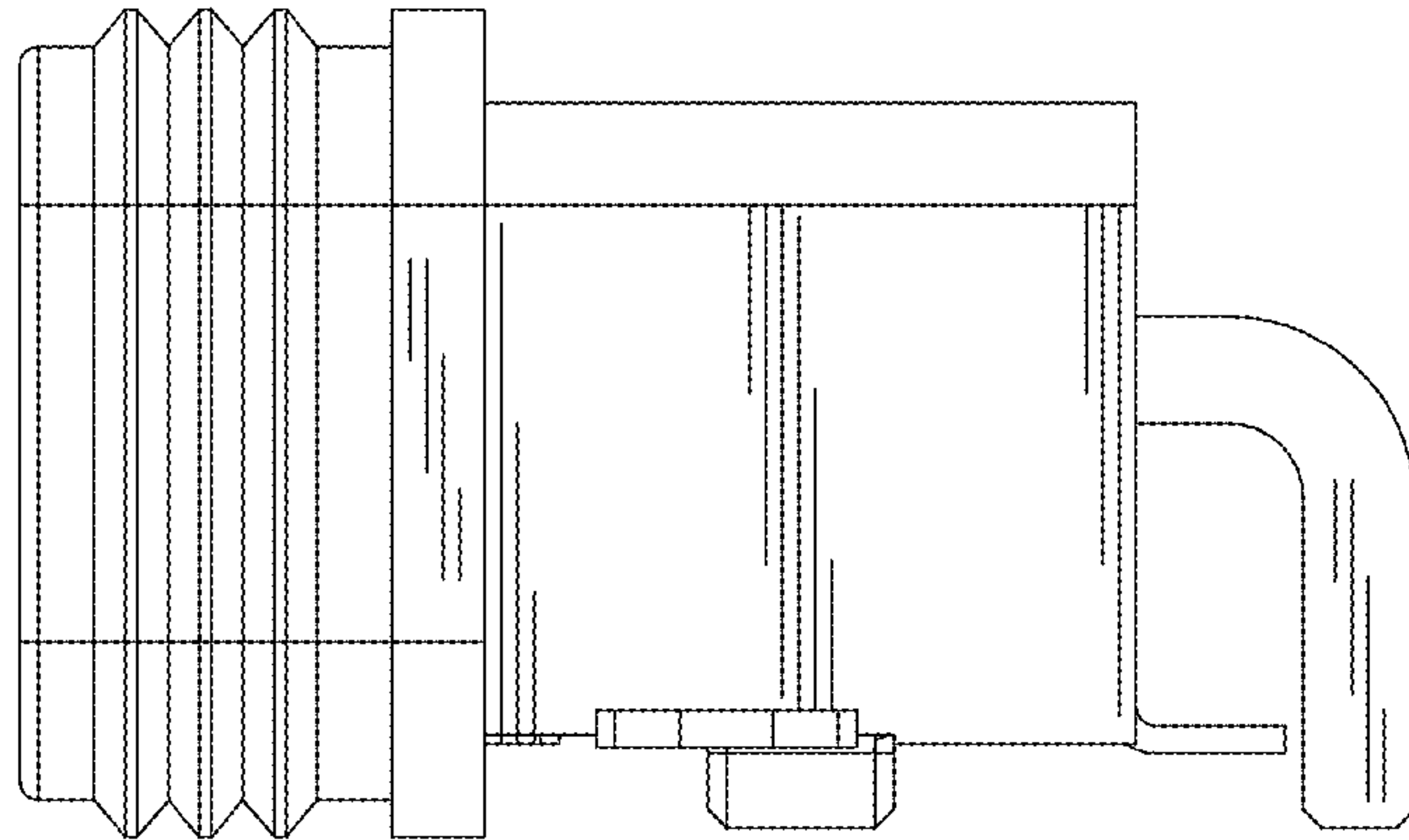


FIG. 5



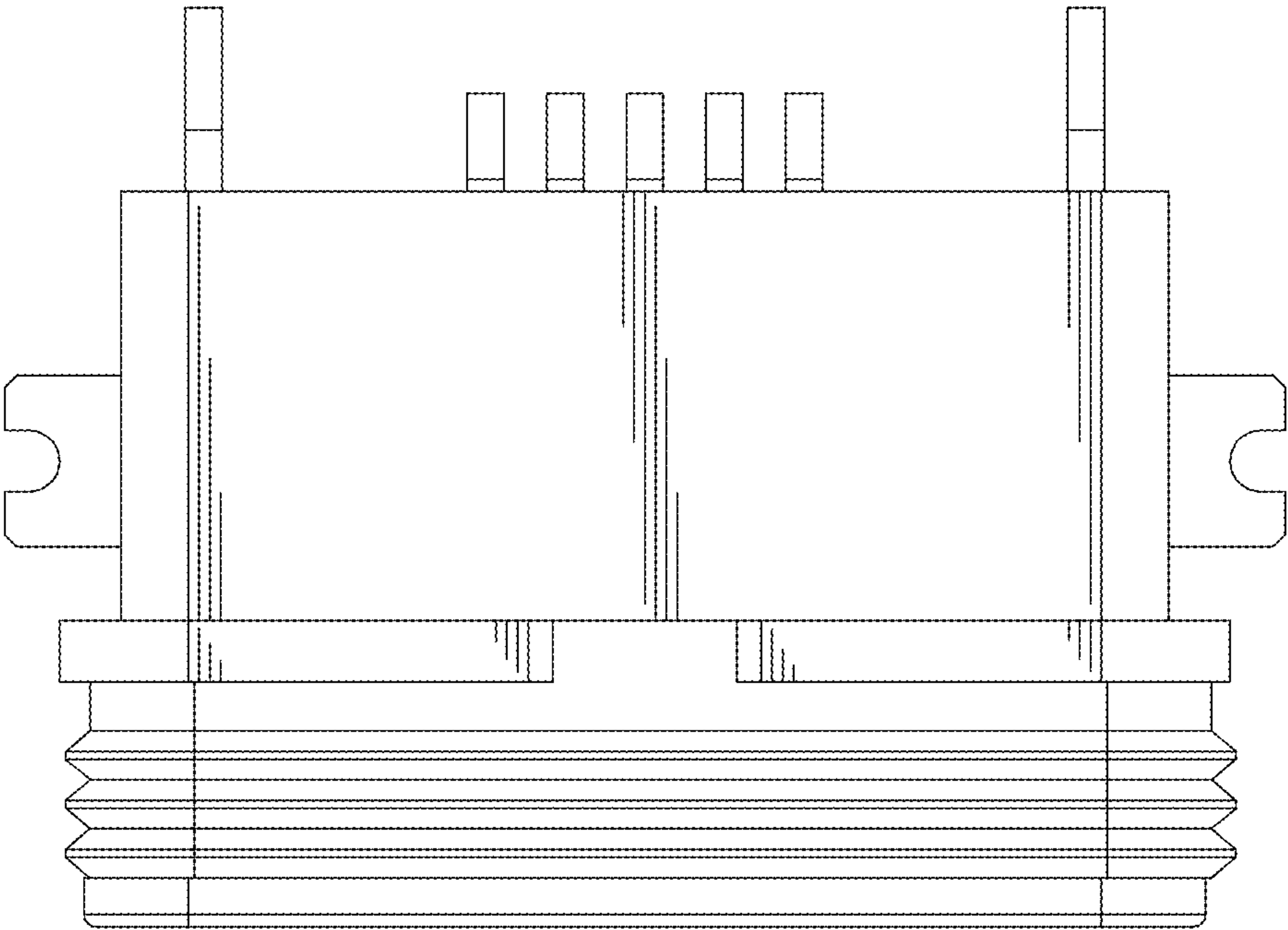


FIG. 6

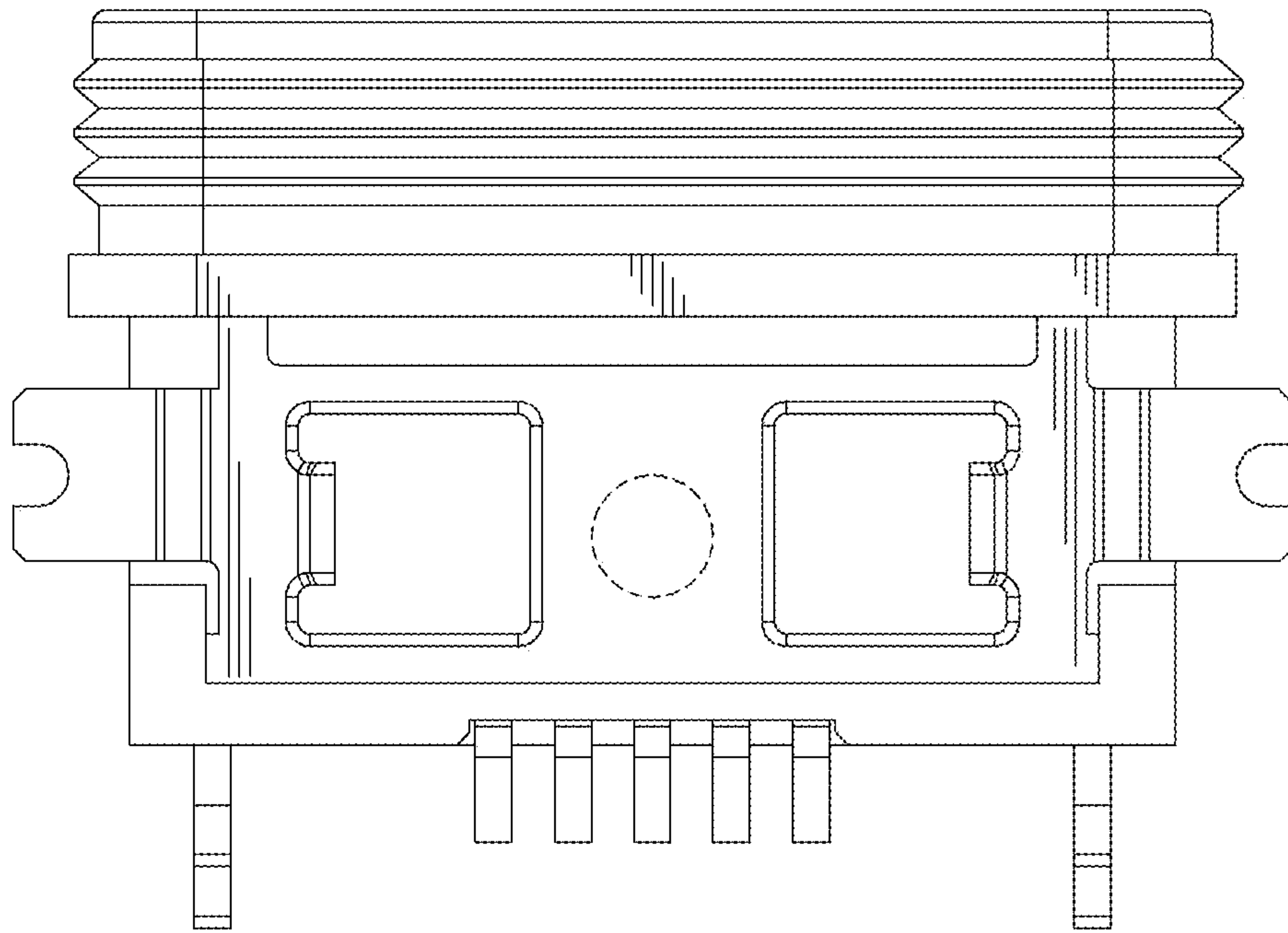


FIG. 7