

US00D693307S

(12) **United States Design Patent**
Beldock et al.

(10) **Patent No.:** **US D693,307 S**

(45) **Date of Patent:** **** Nov. 12, 2013**

(54) **POWER EXTENSION DEVICE**

(71) Applicant: **BelPower Systems, LLC**, New York, NY (US)

(72) Inventors: **Donald T. Beldock**, New York, NY (US); **Gwen Beldock**, Pacific Palisades, CA (US); **William D. Chura**, Newton, MA (US); **Scott H. Wakefield**, Andover, MA (US)

(73) Assignee: **Belpower Systems, LLC**, New York, NY (US)

(**) Term: **14 Years**

(21) Appl. No.: **29/438,396**

(22) Filed: **Nov. 29, 2012**

(51) **LOC (9) Cl.** **13-03**

(52) **U.S. Cl.**
USPC **D13/139.4**

(58) **Field of Classification Search**
USPC D13/152, 137.1, 139.6, 139.5, 139.8, D13/162, 156, 171, 158, 170, 177, 138.2, D13/138.1, 139.2, 137.3, 139.1, 139.4; 174/66, 37-38; 200/5 A, 5 R, 1 B; 338/201-202; 361/118, 602, 622, 641, 361/644, 660, 679.05

See application file for complete search history.

(56) **References Cited**

U.S. PATENT DOCUMENTS

D52,628 S * 11/1918 Bissell D13/134
D126,590 S * 4/1941 Lewin D13/139.4

D235,555 S * 6/1975 Plummer D13/152
D244,465 S * 5/1977 Stoneman D13/139.4
D426,520 S * 6/2000 Goins D13/139.2
D534,869 S * 1/2007 Stekelenburg D13/139.1
D671,545 S * 11/2012 Guran D14/447
2012/0081842 A1 * 4/2012 Ewing et al. 361/622

* cited by examiner

Primary Examiner — Robert M Spear

Assistant Examiner — Rhea Shields

(74) *Attorney, Agent, or Firm* — Gordon & Jacobson, PC

(57) **CLAIM**

The ornamental design for a power extension device, as shown and described.

DESCRIPTION

FIG. 1 is a perspective view of an ornamental design of a power extension device.

FIG. 2 is a front view of an ornamental design of a power extension device.

FIG. 3 is a rear view of an ornamental design of a power extension device.

FIG. 4 is a right side view of an ornamental design of a power extension device.

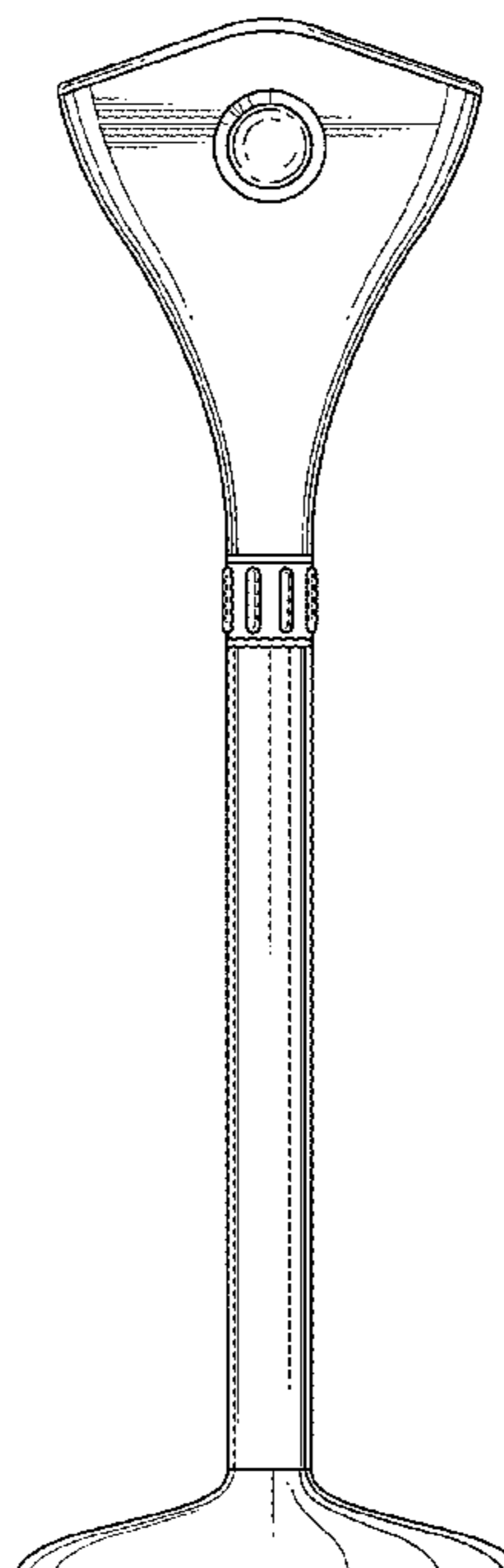
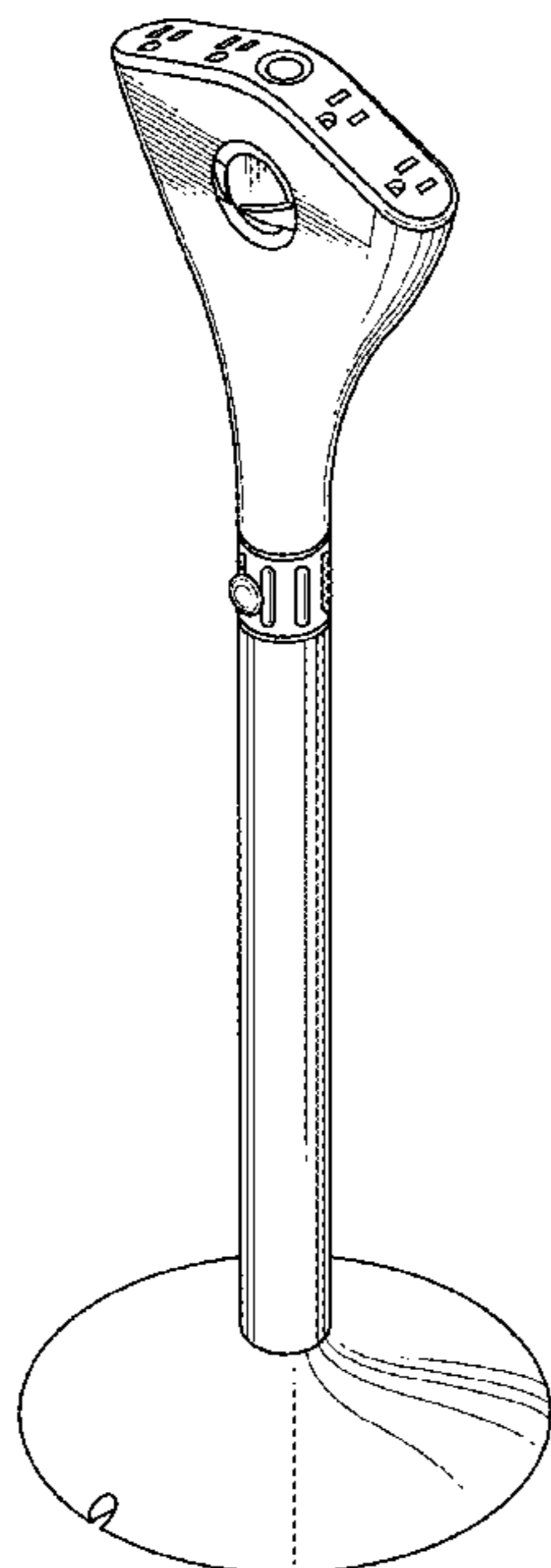
FIG. 5 is a left side view of an ornamental design of a power extension device.

FIG. 6 is a top view of an ornamental design of a power extension device; and,

FIG. 7 is a bottom view of an ornamental design of a power extension device.

The broken lines in the drawings depict boundaries of the claim and form no part thereof.

1 Claim, 2 Drawing Sheets



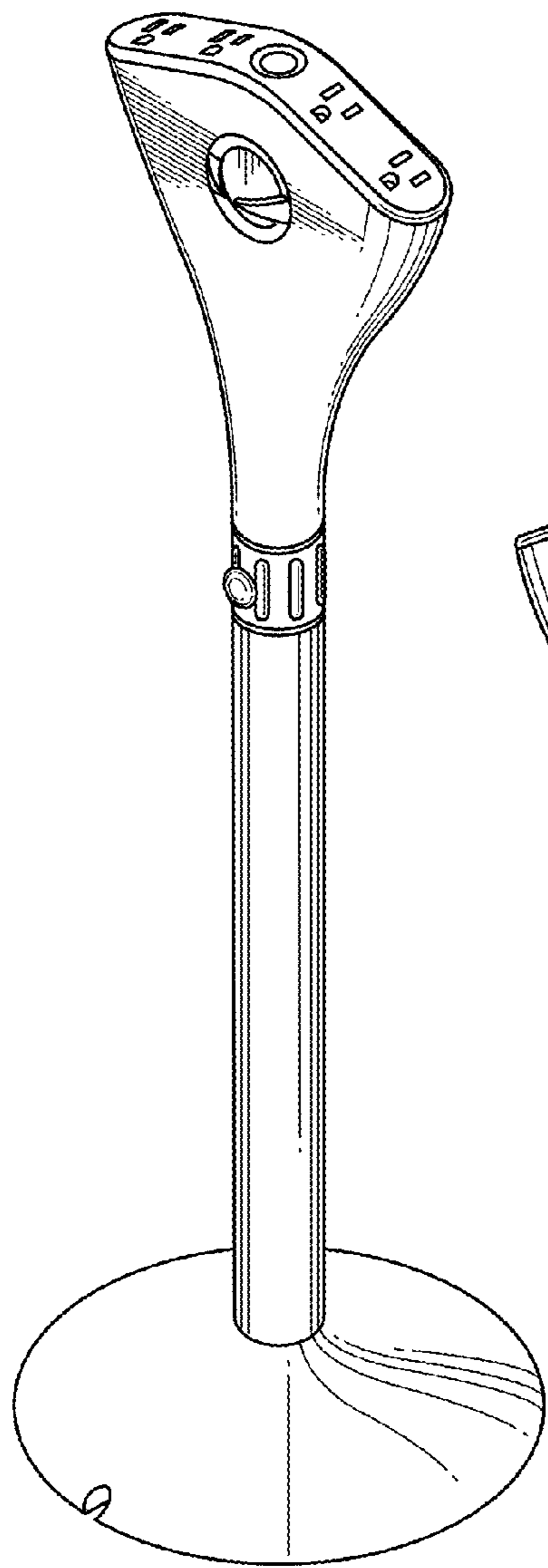


Fig. 1

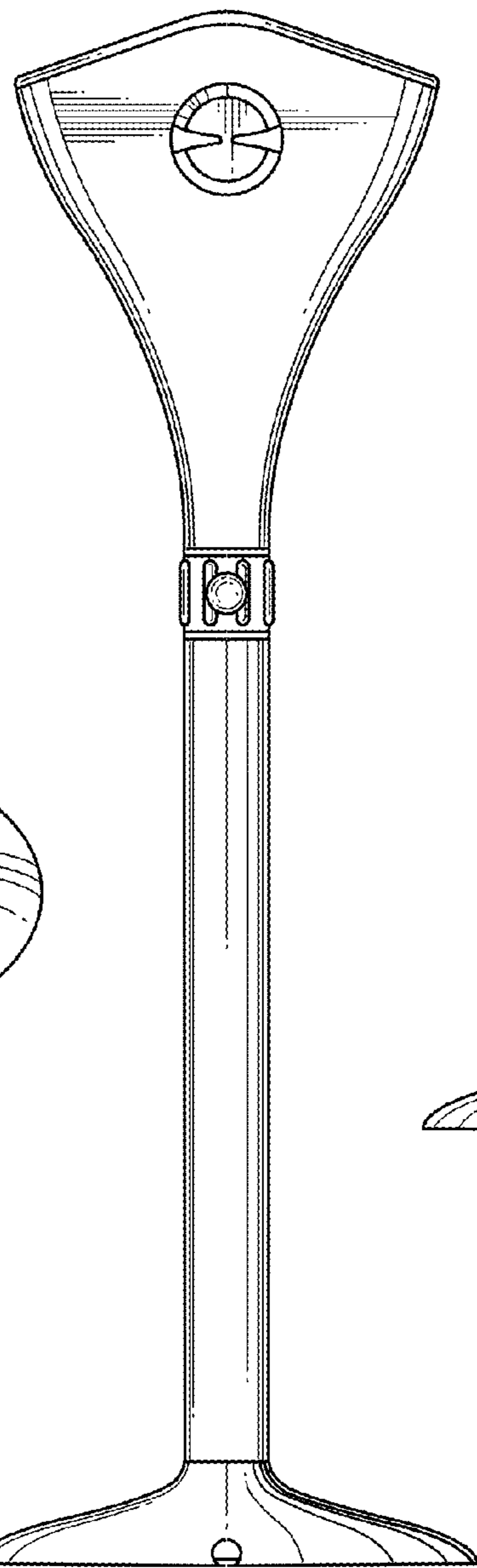


Fig. 2

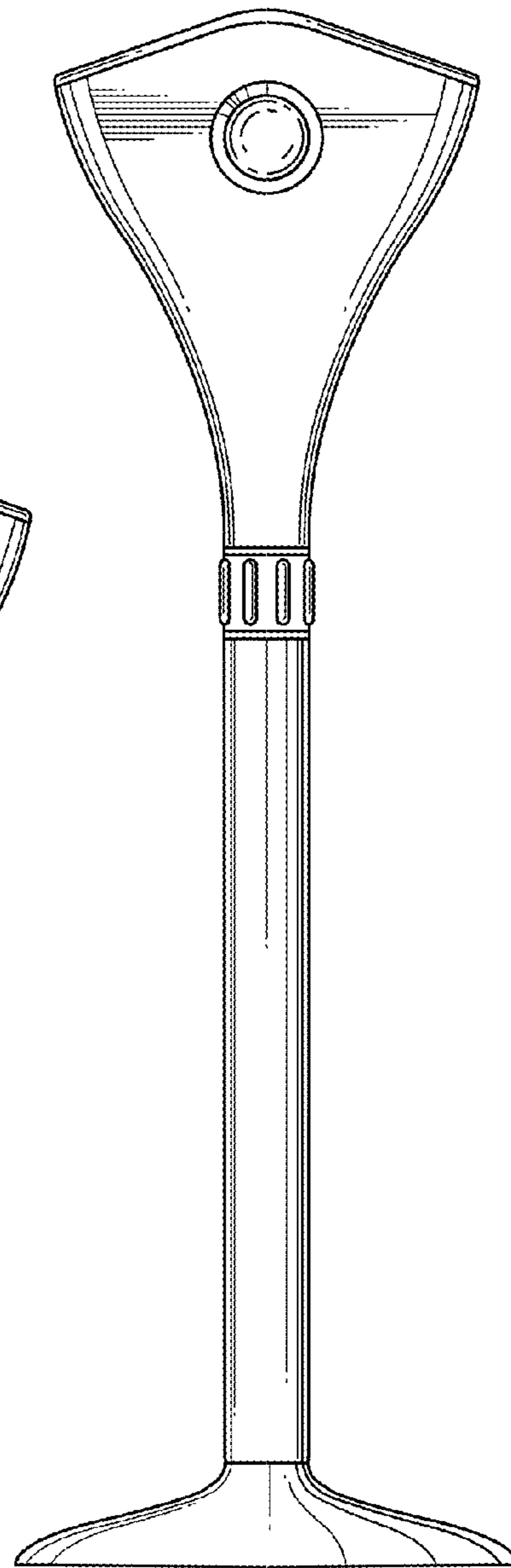


Fig. 3

Fig. 4

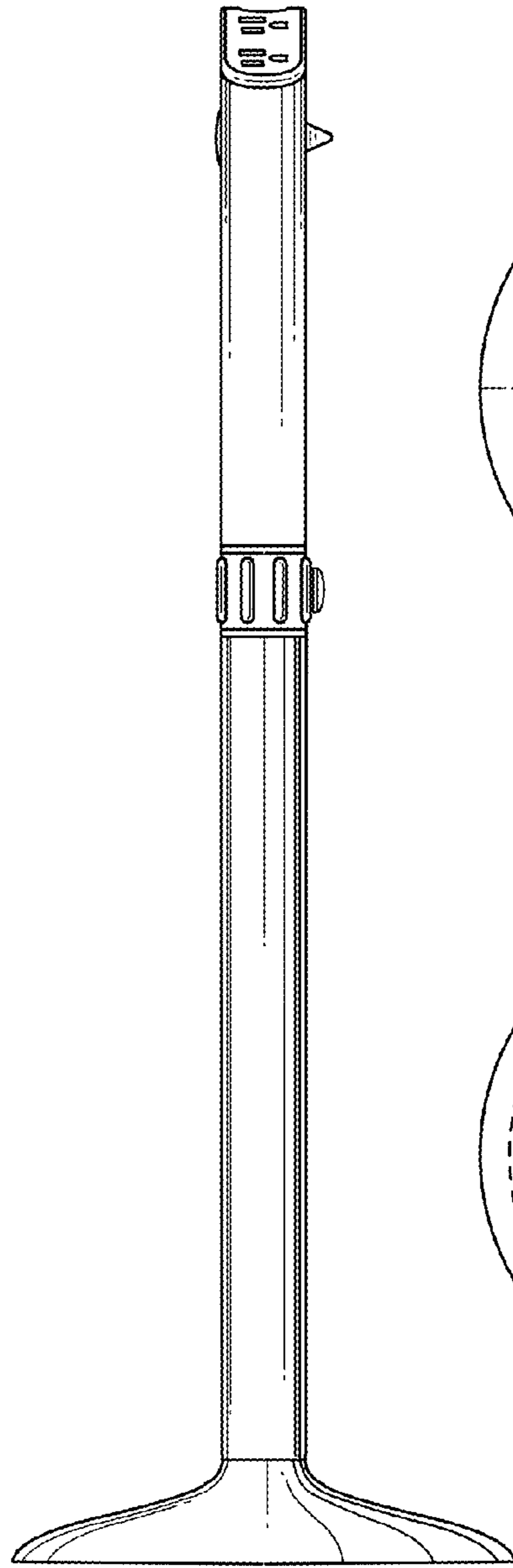
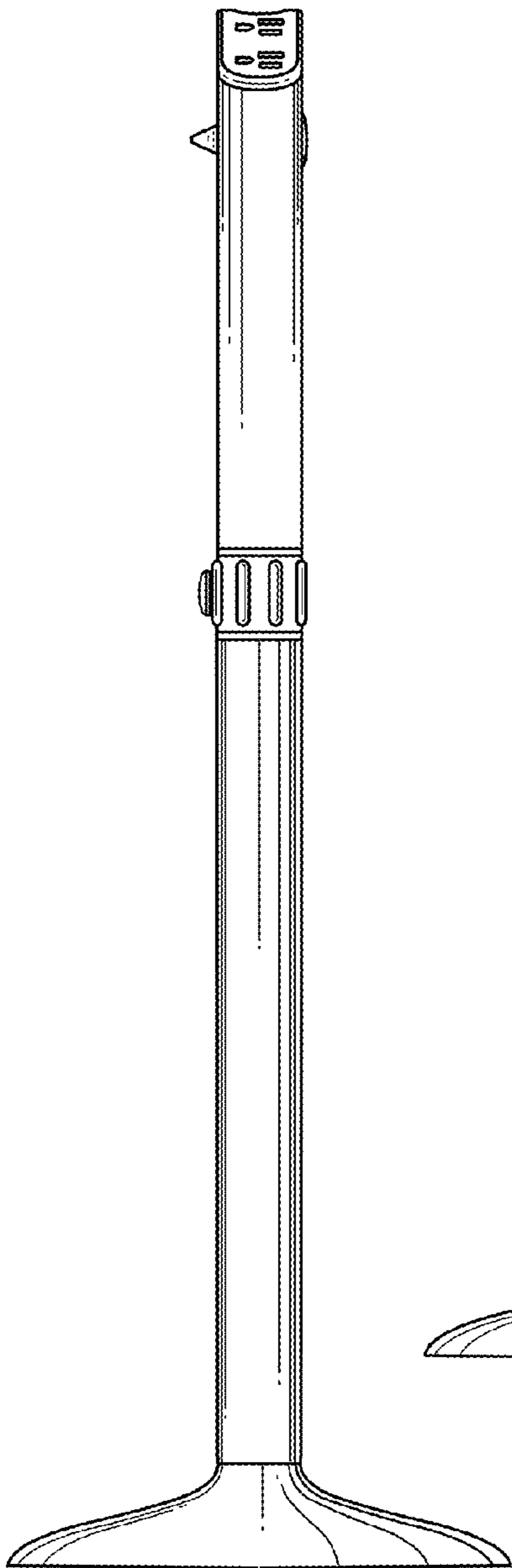


Fig. 5

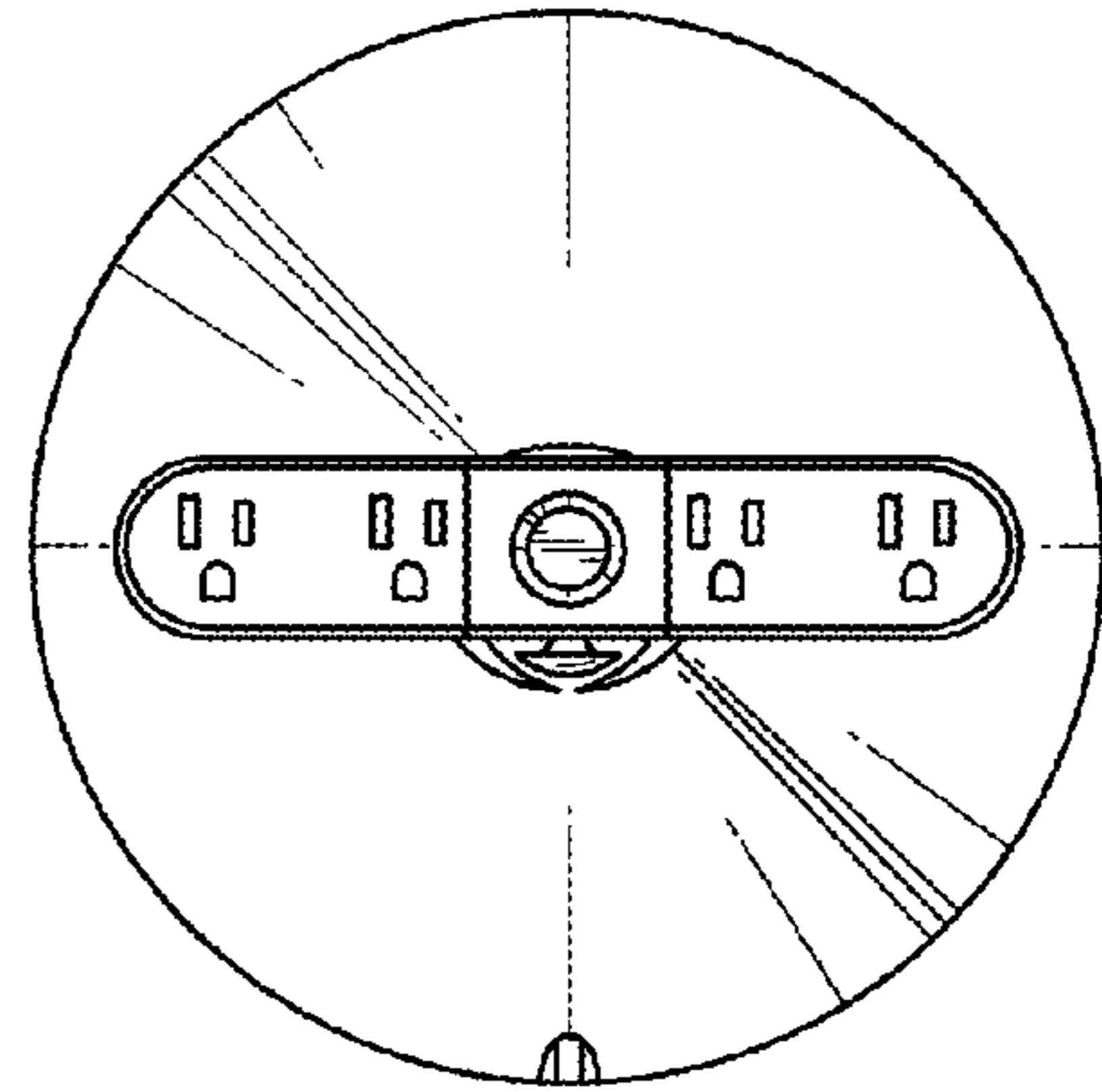


Fig. 6

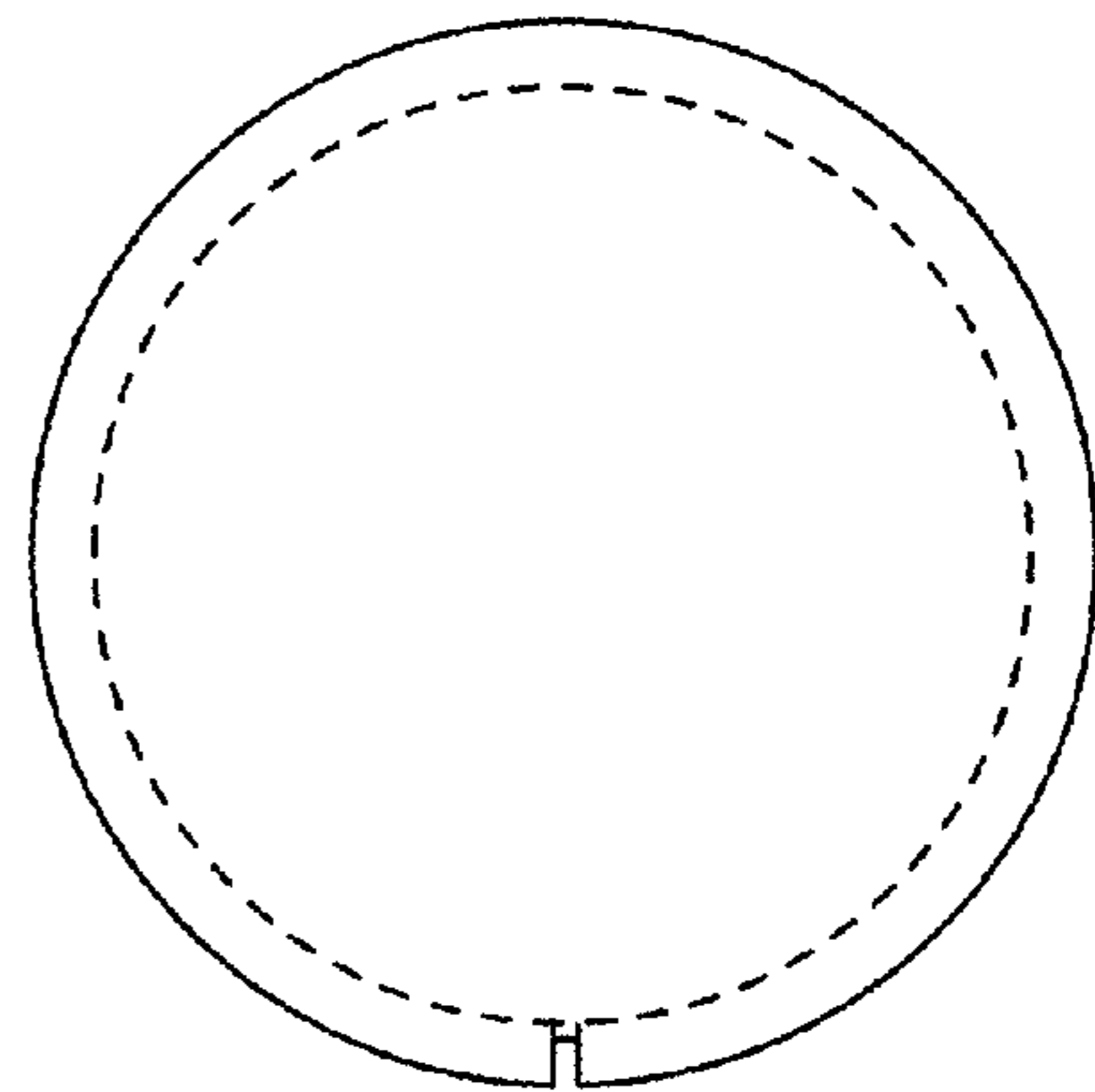


Fig. 7