



US00D693305S

(12) **United States Design Patent**
Kuo et al.

(10) **Patent No.:** **US D693,305 S**
(45) **Date of Patent:** **** Nov. 12, 2013**

- (54) **FOLDABLE ELECTRIC OUTLET**
- (75) Inventors: **Ming-Chou Kuo**, Taipei (TW); **Yu Hsuan Chen**, New Taipei (TW)
- (73) Assignee: **Powertech Industrial Co., Ltd.**, New Taipei (TW)
- (**) Term: **14 Years**
- (21) Appl. No.: **29/397,793**
- (22) Filed: **Jul. 20, 2011**
- (30) **Foreign Application Priority Data**

- May 27, 2011 (TW) 100302664
- (51) **LOC (9) Cl.** **13-03**
- (52) **U.S. Cl.**
USPC **D13/137.2; D13/139.5**
- (58) **Field of Classification Search**
USPC D13/107, 109, 110, 112, 114, 130, 132,
D13/137, 137.1, 137.2, 137.3, 137.4, 138.1,
D13/139.1, 139.2, 139.4, 139.5, 139.7,
D13/139.8, 146, 147, 152, 160, 161, 164,
D13/199
See application file for complete search history.

- (56) **References Cited**
U.S. PATENT DOCUMENTS
D366,453 S * 1/1996 Boesel et al. D13/137.2
D370,460 S * 6/1996 Boesel et al. D13/137.2
D443,589 S * 6/2001 Tong et al. D13/137.2
D464,319 S * 10/2002 Fowler D13/137.2

- D506,441 S * 6/2005 Lichtscheidl et al. D13/139.1
- D514,067 S * 1/2006 Lee D13/137.2
- 7,824,185 B2 * 11/2010 Chien 439/11

FOREIGN PATENT DOCUMENTS

DE	20313536	1/2004
TW	09125939	8/2003
TW	091134255	6/2004
TW	099211830	1/2011

* cited by examiner

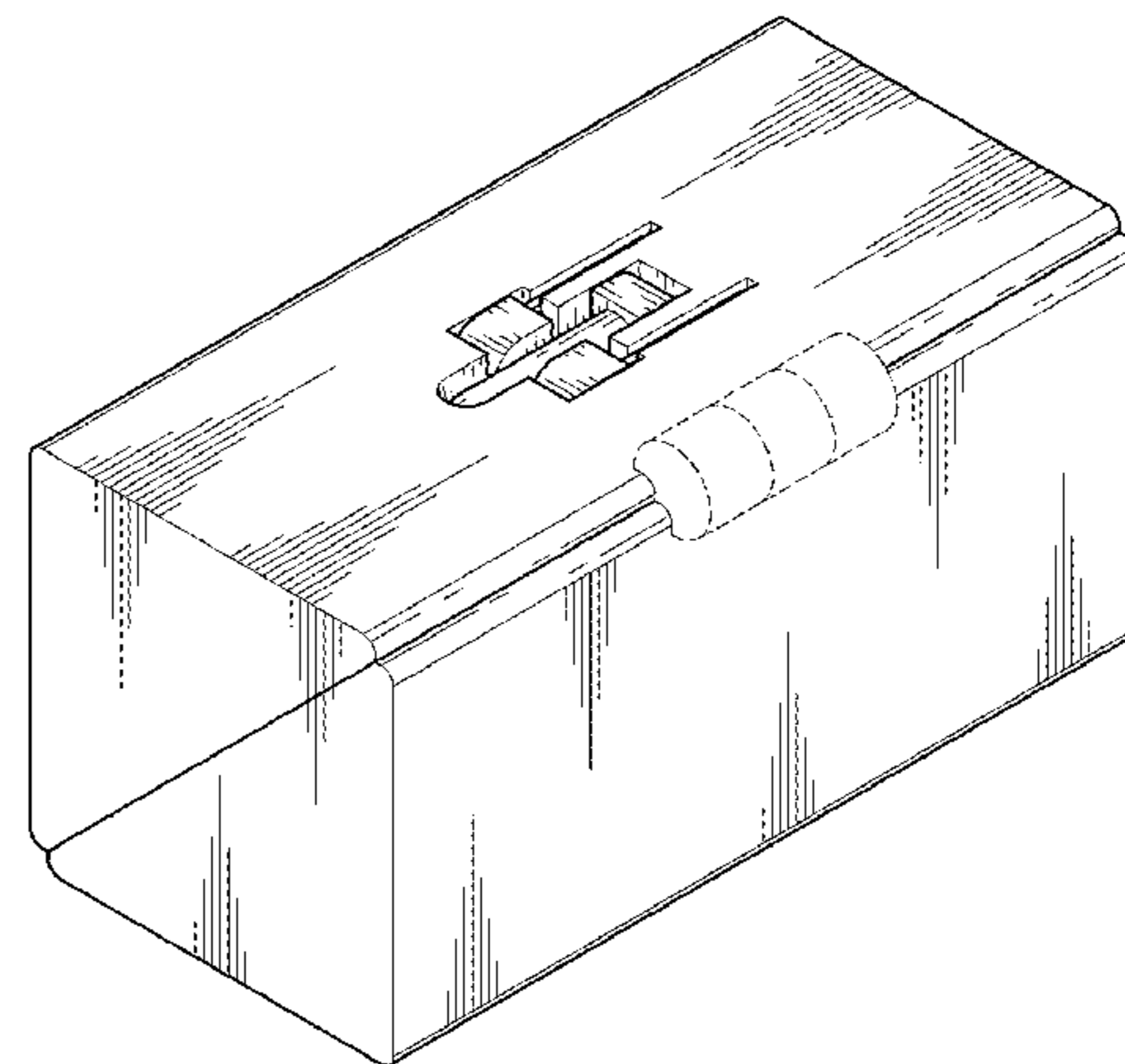
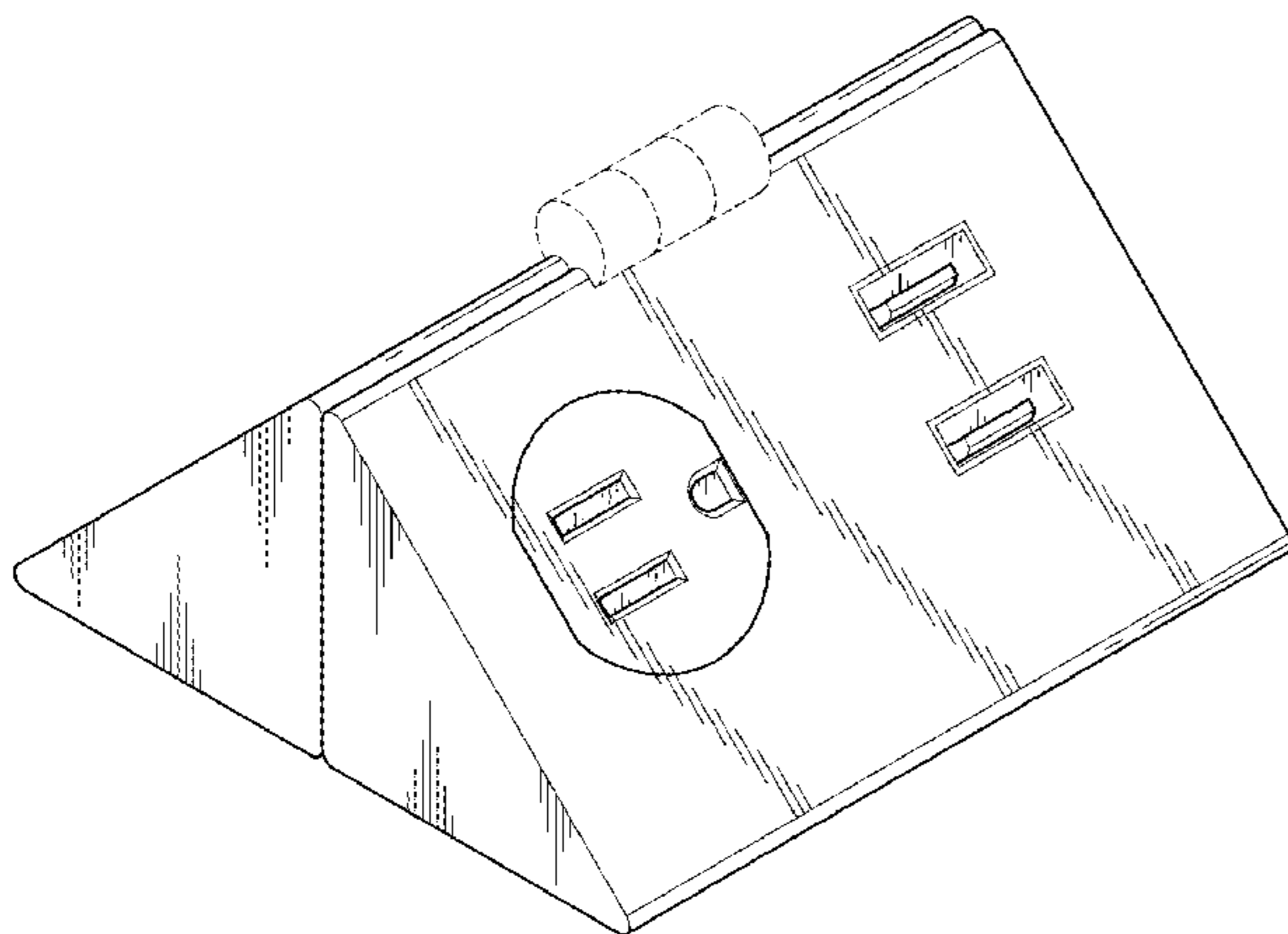
Primary Examiner — Robert M Spear
Assistant Examiner — Rhea Shields
(74) *Attorney, Agent, or Firm* — Li & Cai Intellectual Property (USA) Office

(57) **CLAIM**
The ornamental design for a “foldable electric outlet,” as shown and described.

DESCRIPTION

FIG. 1 is a perspective view of a “foldable electric outlet” showing my new design;
FIG. 2 is a front view thereof;
FIG. 3 is a rear view thereof;
FIG. 4 is a left side view thereof;
FIG. 5 is a right side view thereof;
FIG. 6 is a top view thereof;
FIG. 7 is a bottom view thereof;
FIG. 8 is another perspective view thereof;
FIG. 9 is a perspective view showing the practical usage thereof; and,
FIG. 10 is another perspective view showing the practical usage.

1 Claim, 6 Drawing Sheets



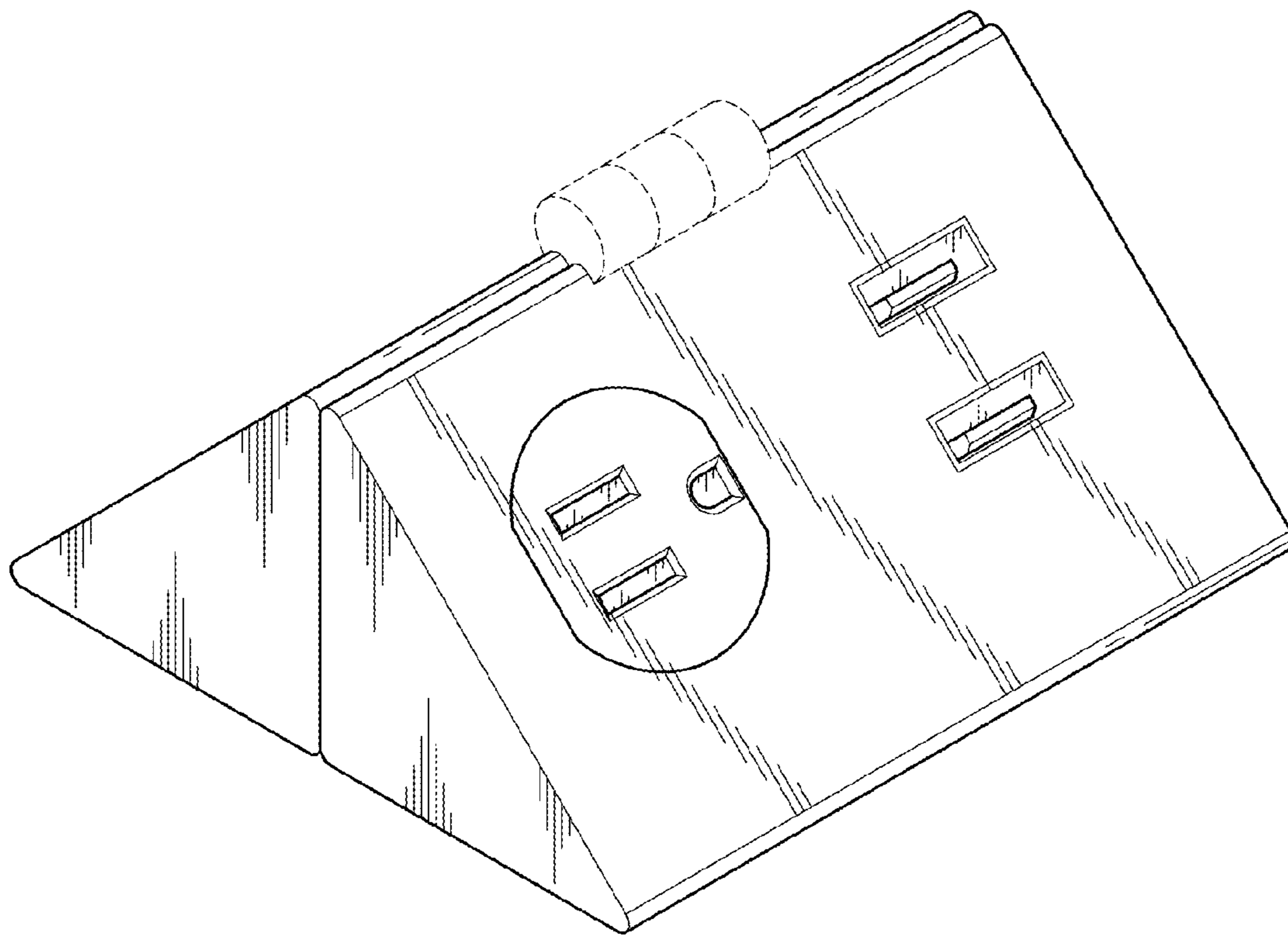


FIG. 1

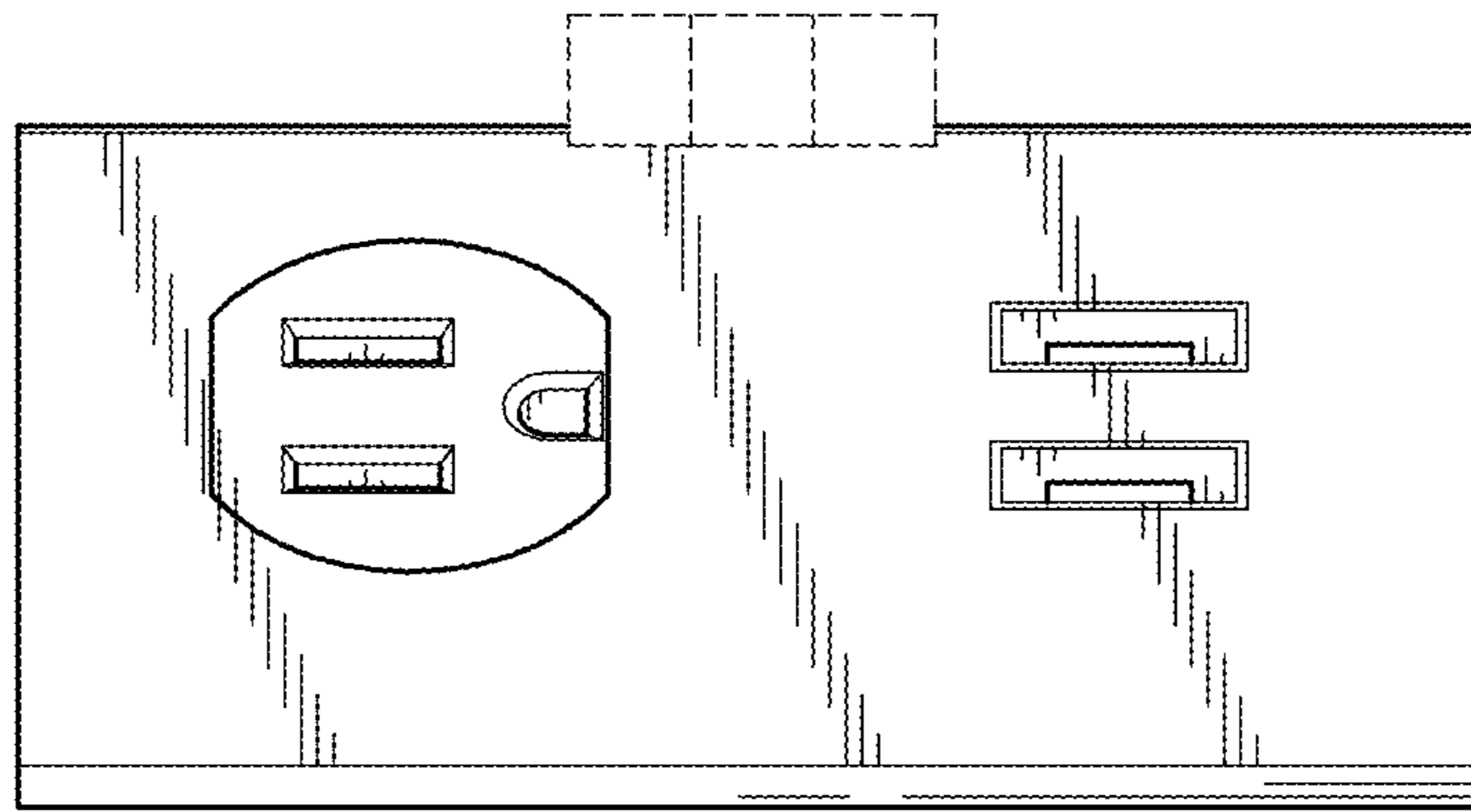


FIG. 2

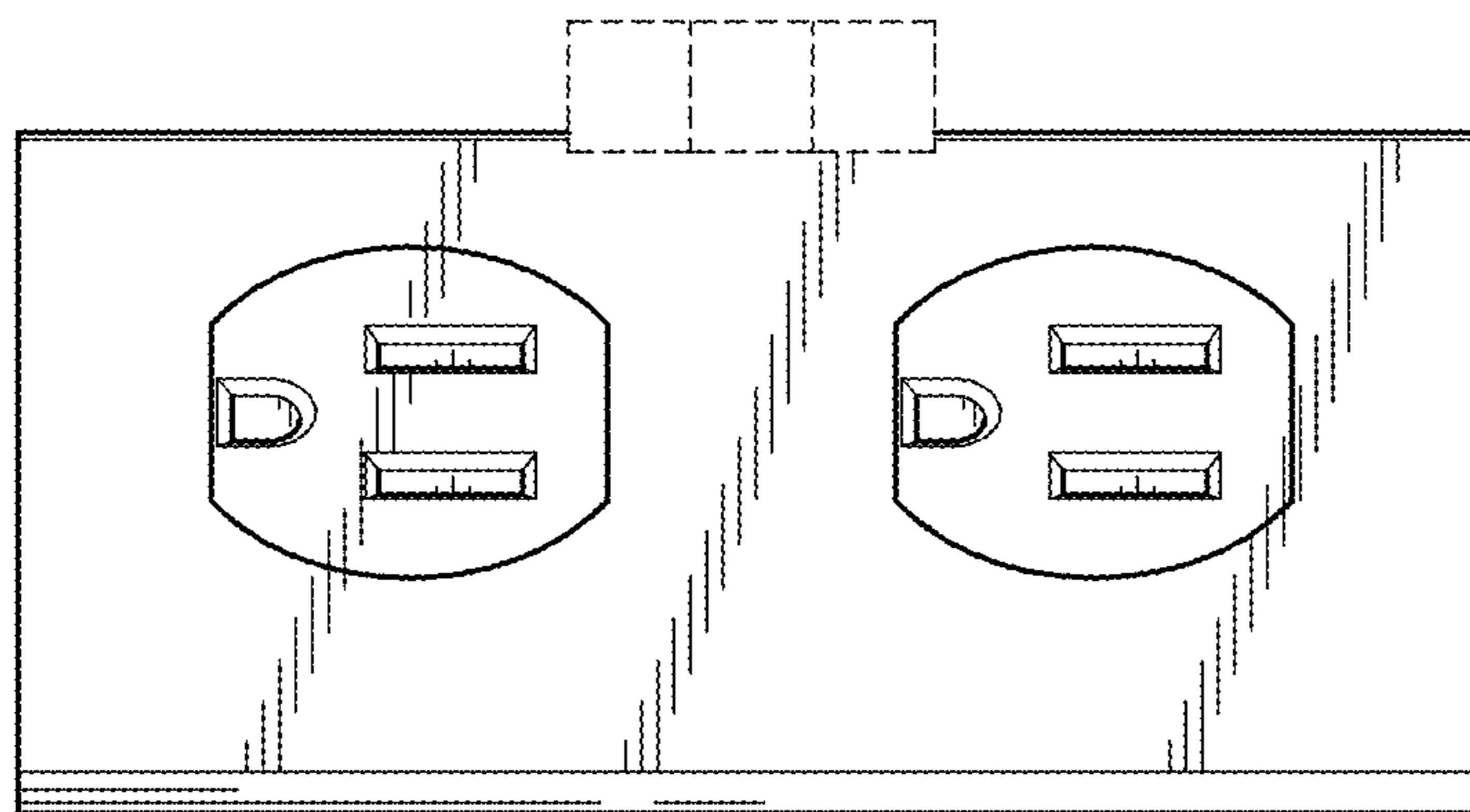


FIG. 3

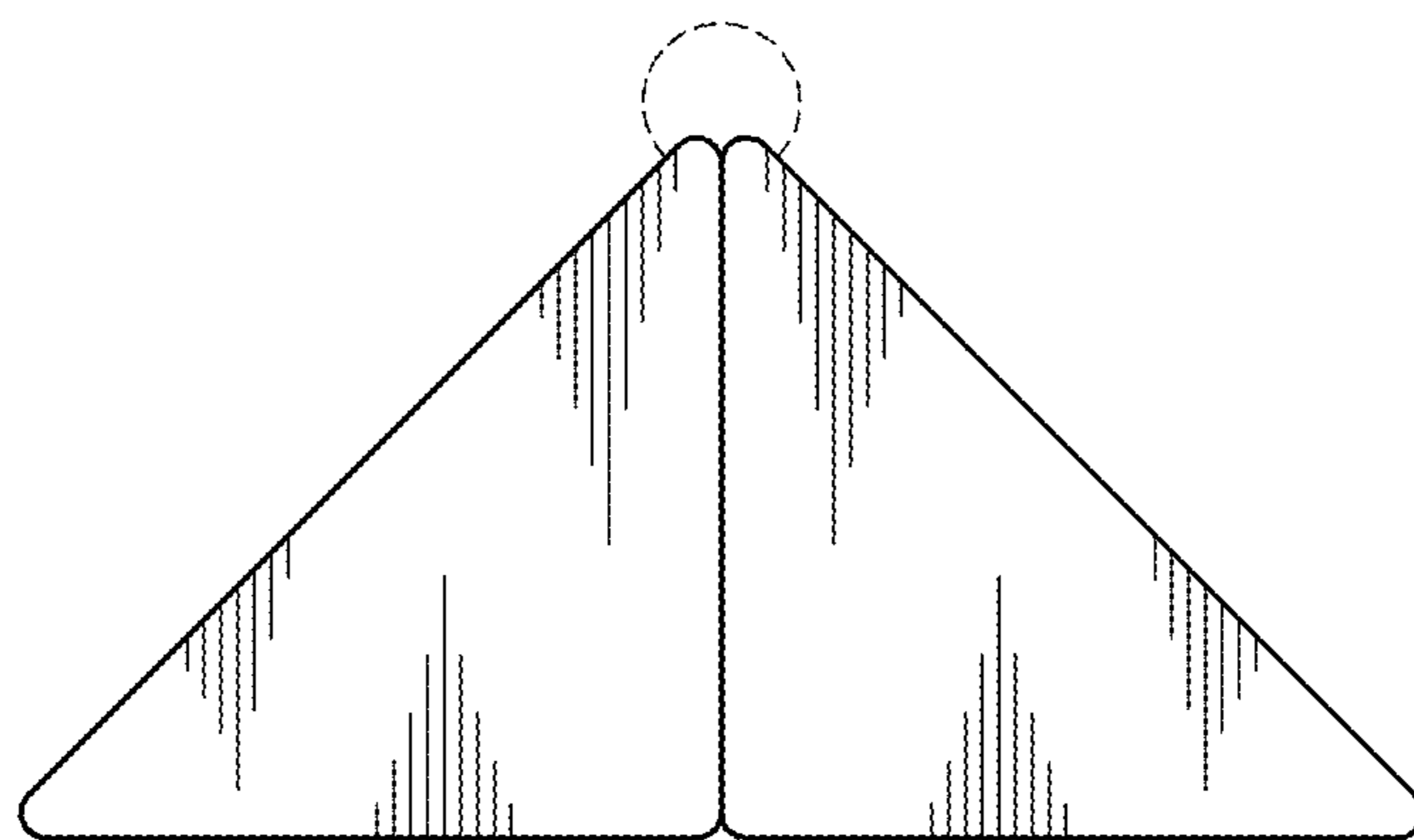


FIG. 4

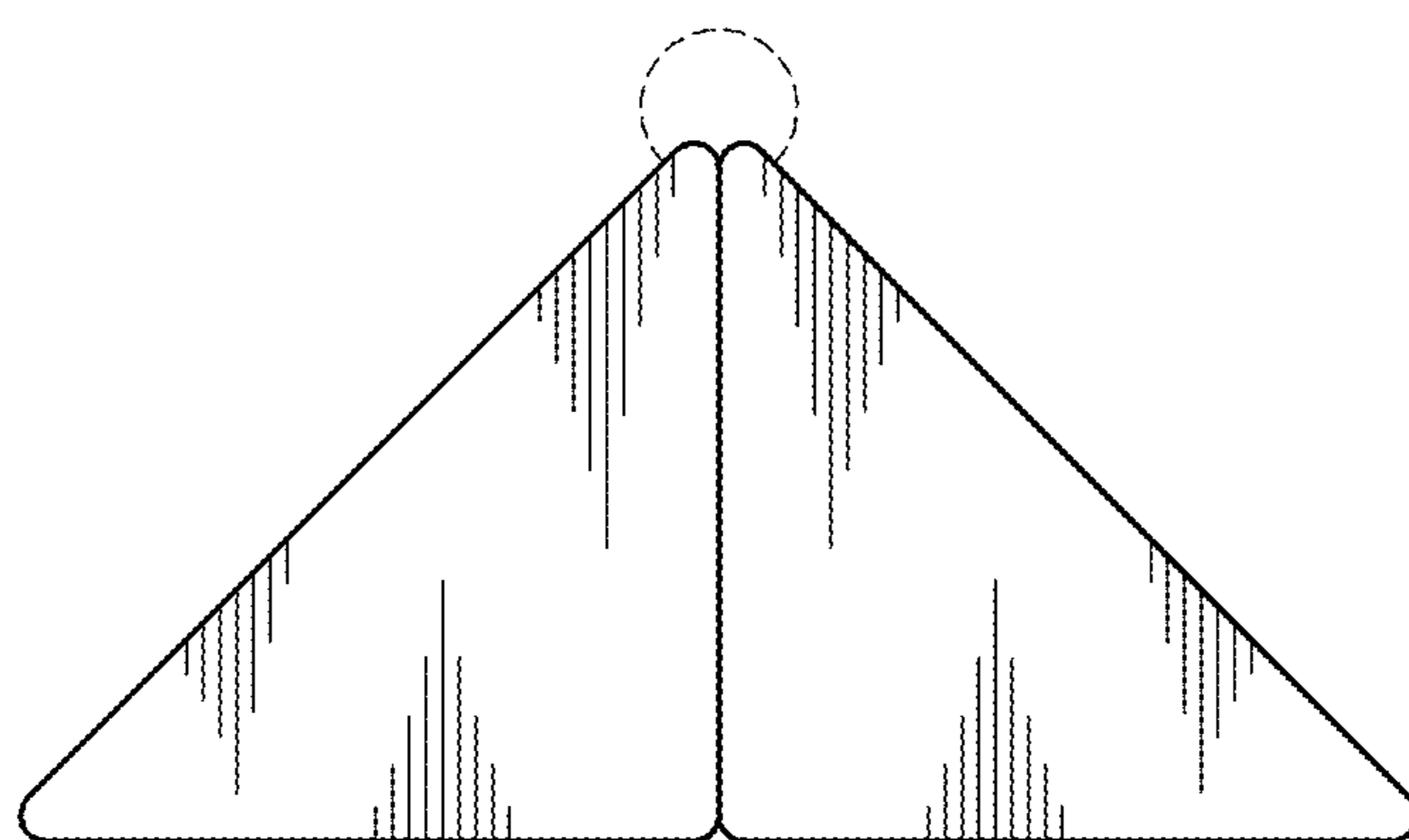


FIG. 5

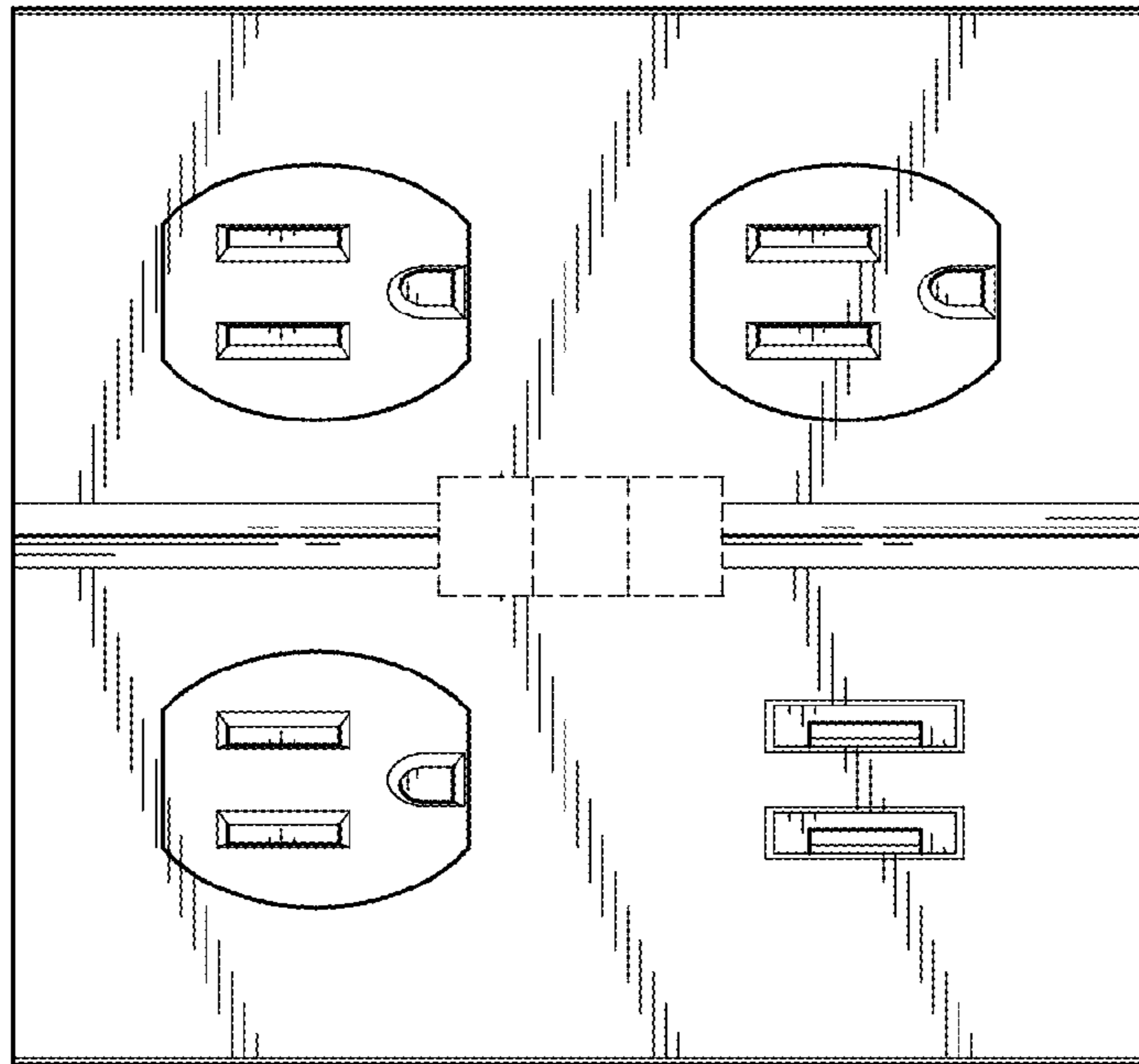


FIG. 6

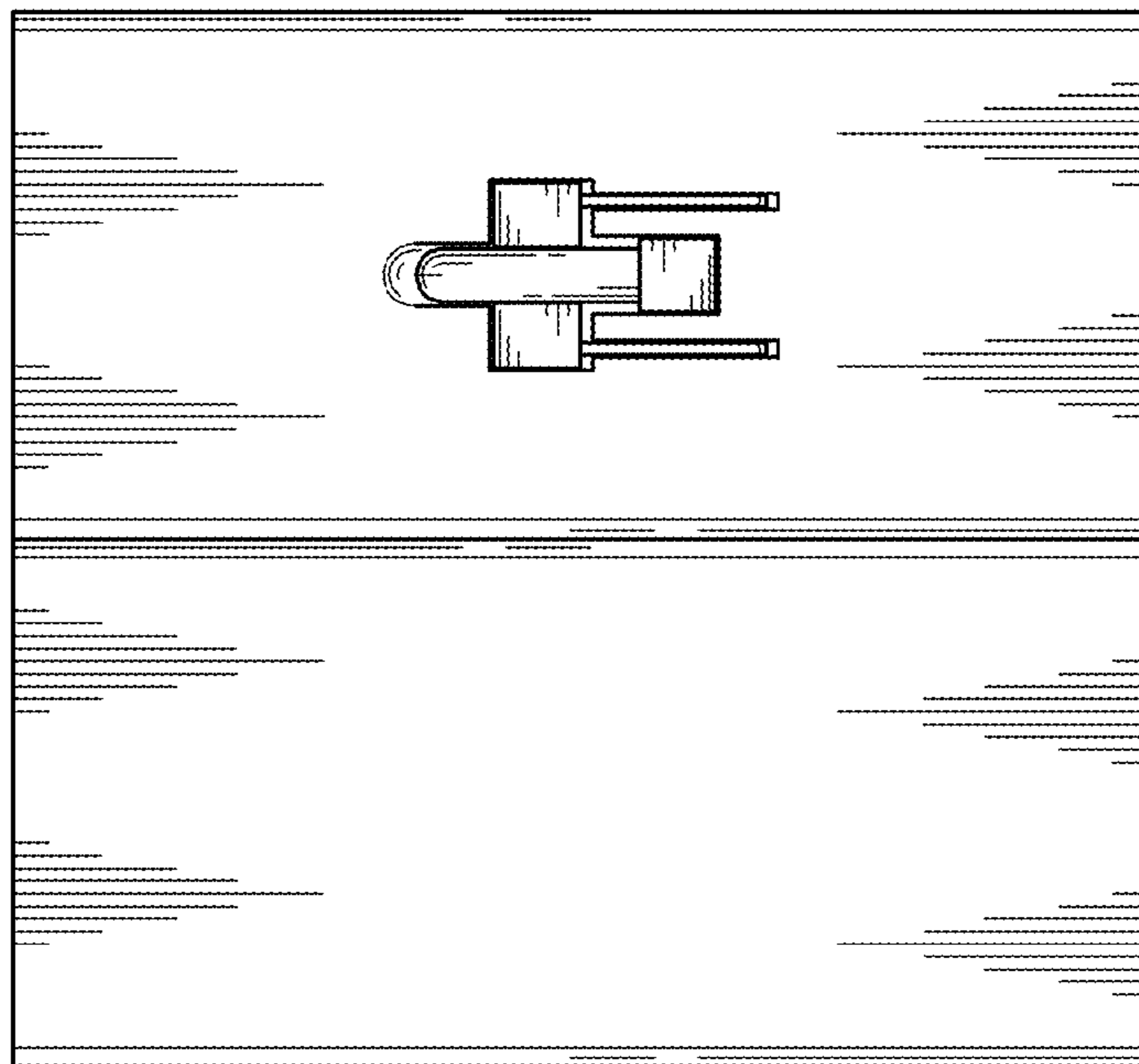


FIG. 7

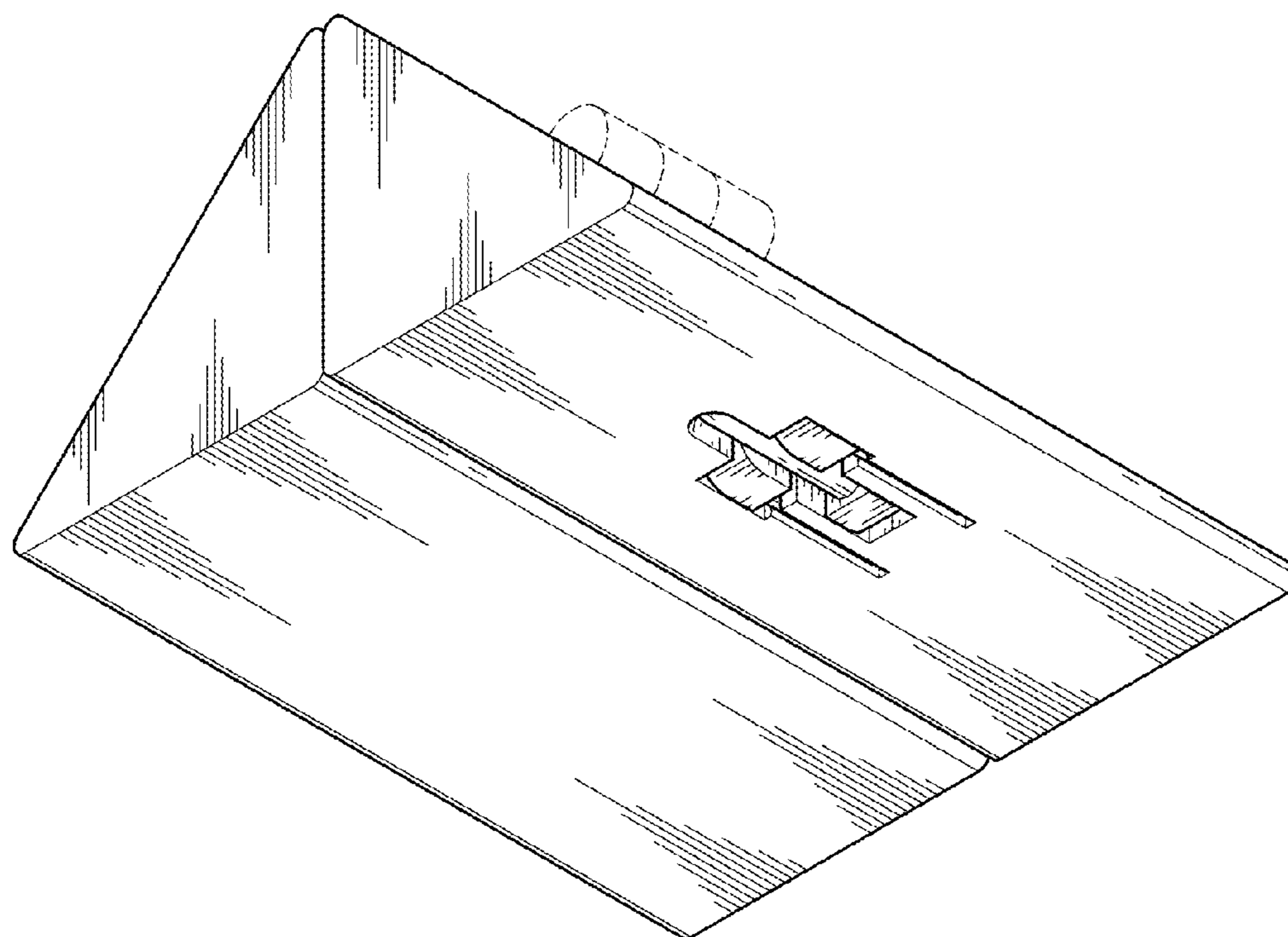


FIG. 8

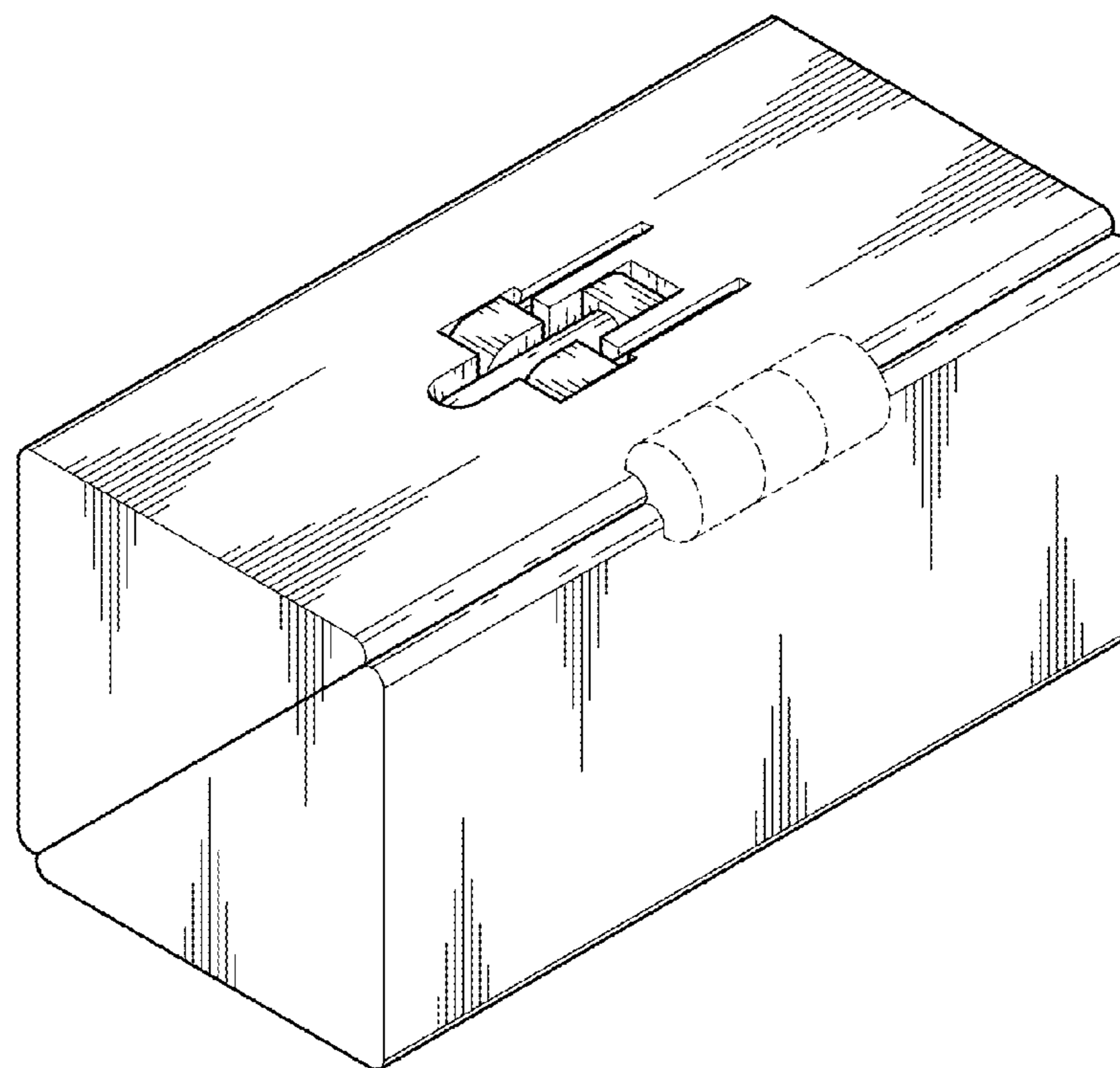


FIG. 9

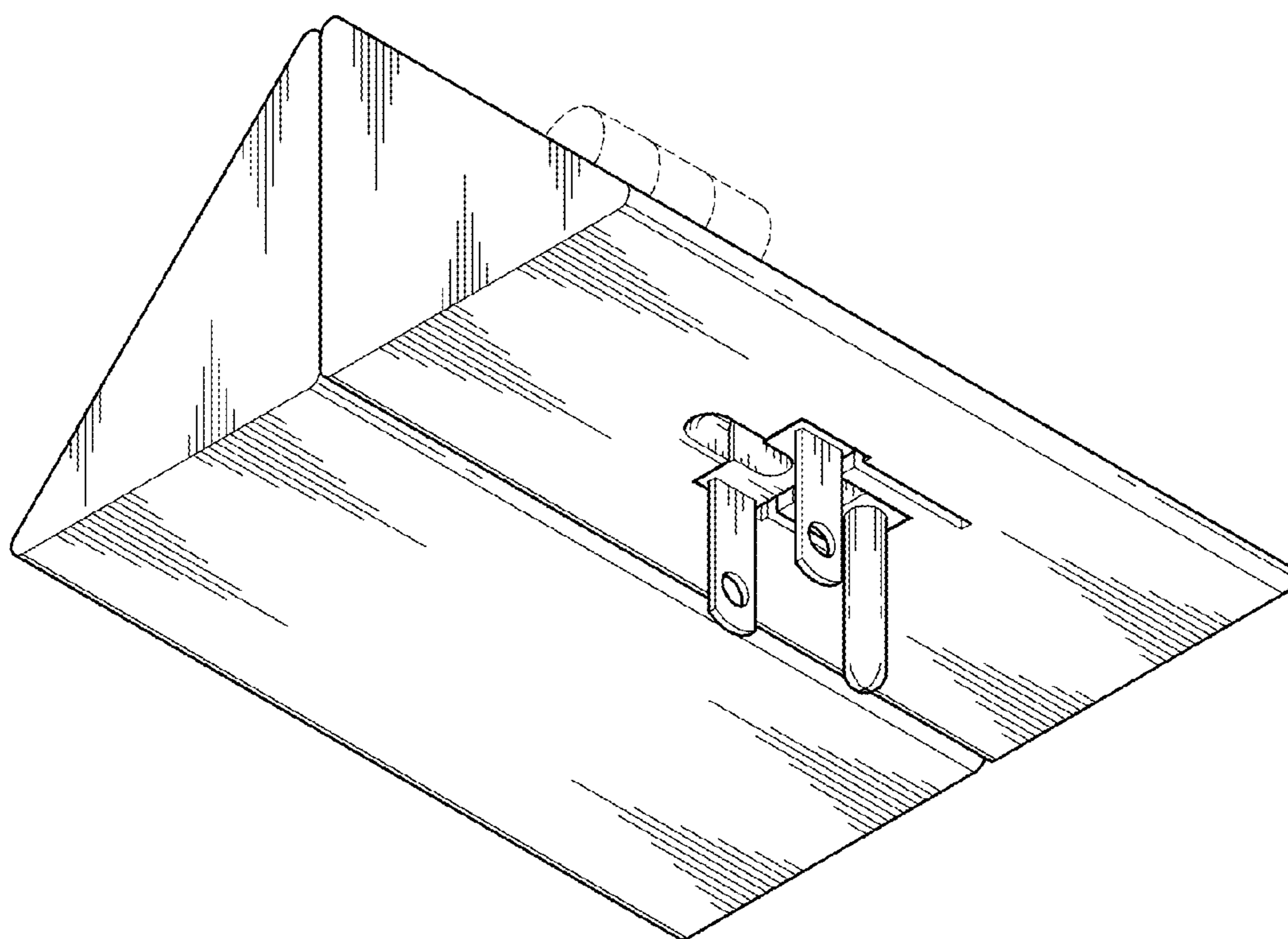


FIG. 10