



US00D693304S

(12) **United States Design Patent**
Dobler

(10) **Patent No.:** **US D693,304 S**

(45) **Date of Patent:** **** Nov. 12, 2013**

(54) **CONNECTOR**

(71) Applicant: **Neutrik AG**, Schaan (LI)

(72) Inventor: **Oliver Dobler**, Tschagguns (AT)

(73) Assignee: **Neutrik AG**, Schaan (LI)

(**) Term: **14 Years**

(21) Appl. No.: **29/433,678**

(22) Filed: **Oct. 3, 2012**

Related U.S. Application Data

(62) Division of application No. 29/385,268, filed on Feb. 11, 2011.

(30) **Foreign Application Priority Data**

Aug. 16, 2010	(EP)	001 229 827-0001
Aug. 16, 2010	(EP)	001 229 827-0002
Aug. 16, 2010	(EP)	001 229 827-0007
Aug. 16, 2010	(EP)	001 229 827-0008

(51) **LOC (9) Cl.** **13-03**

(52) **U.S. Cl.**
USPC **D13/133**

(58) **Field of Classification Search**
USPC D13/133, 146, 147, 154, 184, 199;
439/180, 246, 252, 259, 278, 296, 350,
439/352, 353, 354, 357, 358, 374, 378, 379,
439/380, 381, 527, 529, 530, 533, 598, 680,
439/892, 894

See application file for complete search history.

(56) **References Cited**

U.S. PATENT DOCUMENTS

D399,188 S	10/1998	Lin
D399,189 S	10/1998	Lin
D413,100 S	8/1999	Nakazawa
D415,469 S	10/1999	Lee
D437,294 S	2/2001	Amin
D501,826 S	2/2005	Bachmann
D512,023 S	11/2005	Bachmann
D512,378 S	12/2005	Dobler
D512,965 S	12/2005	Dobler
D524,738 S	7/2006	Dobler
D587,202 S	2/2009	Dobler

OTHER PUBLICATIONS

Neutrik Product Guide 2008: pp. 9, 10, 11, 12, 13, 58, 97, 99, back cover.
Photo of Connector and Plug: Art Date unknown.

Primary Examiner — Daniel Bui

(74) *Attorney, Agent, or Firm* — Harris Beach PLLC; Neal L. Slifkin

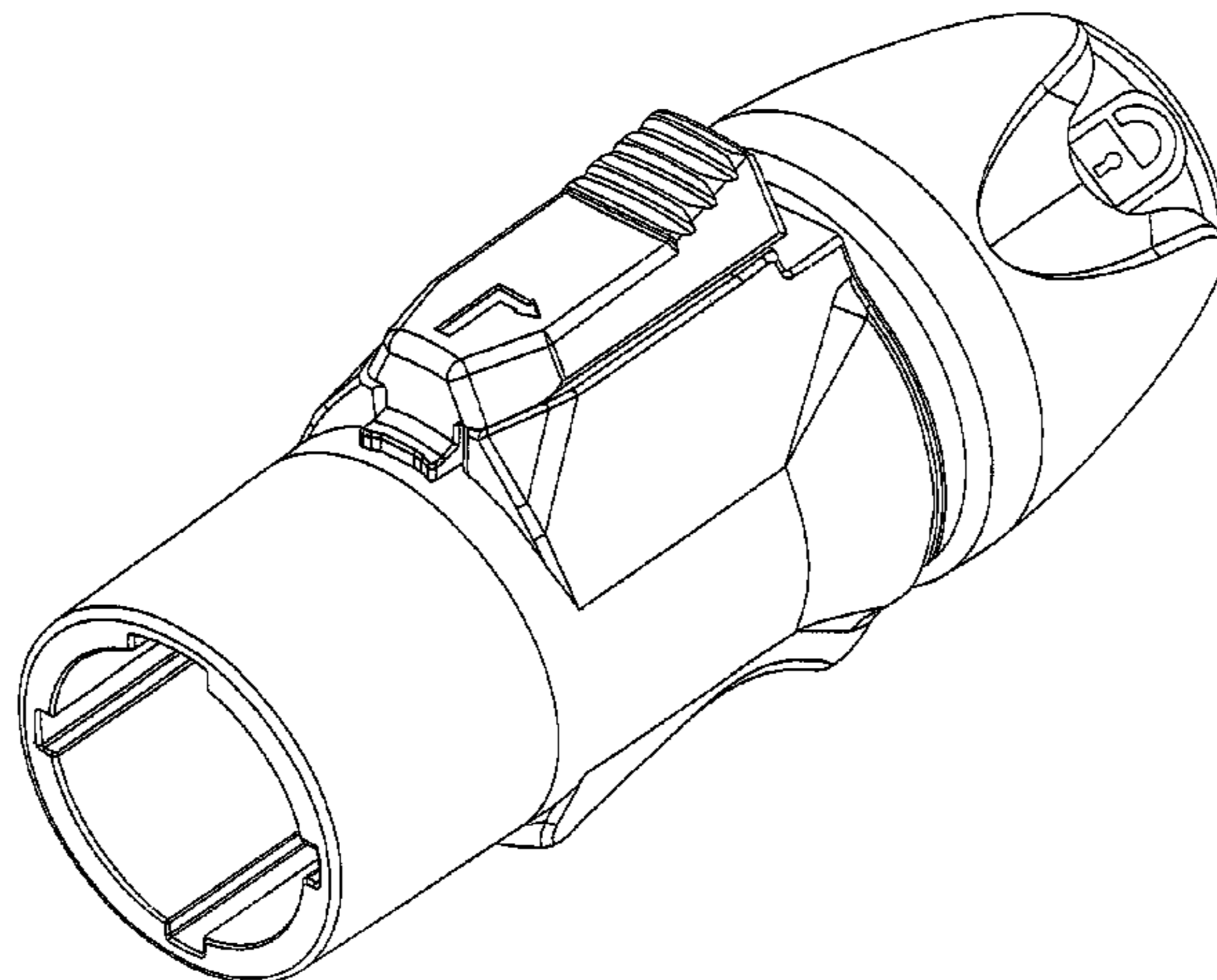
(57) **CLAIM**

The ornamental design for a connector, as shown and described.

DESCRIPTION

FIG. 1 is a rear elevation view of a connector showing my design;
FIG. 2 is a top plan view thereof showing an image of a lock as a surface feature;
FIG. 3 is front elevation view thereof;
FIG. 4 is right side elevation view thereof;
FIG. 5 is a bottom elevation view thereof;
FIG. 6 is a left side elevation view thereof showing an image of a lock as a surface feature; and,
FIG. 7 is a perspective view thereof.
The broken line in the drawing views is included to show unclaimed environment only and forms no part of the claimed design.

1 Claim, 7 Drawing Sheets



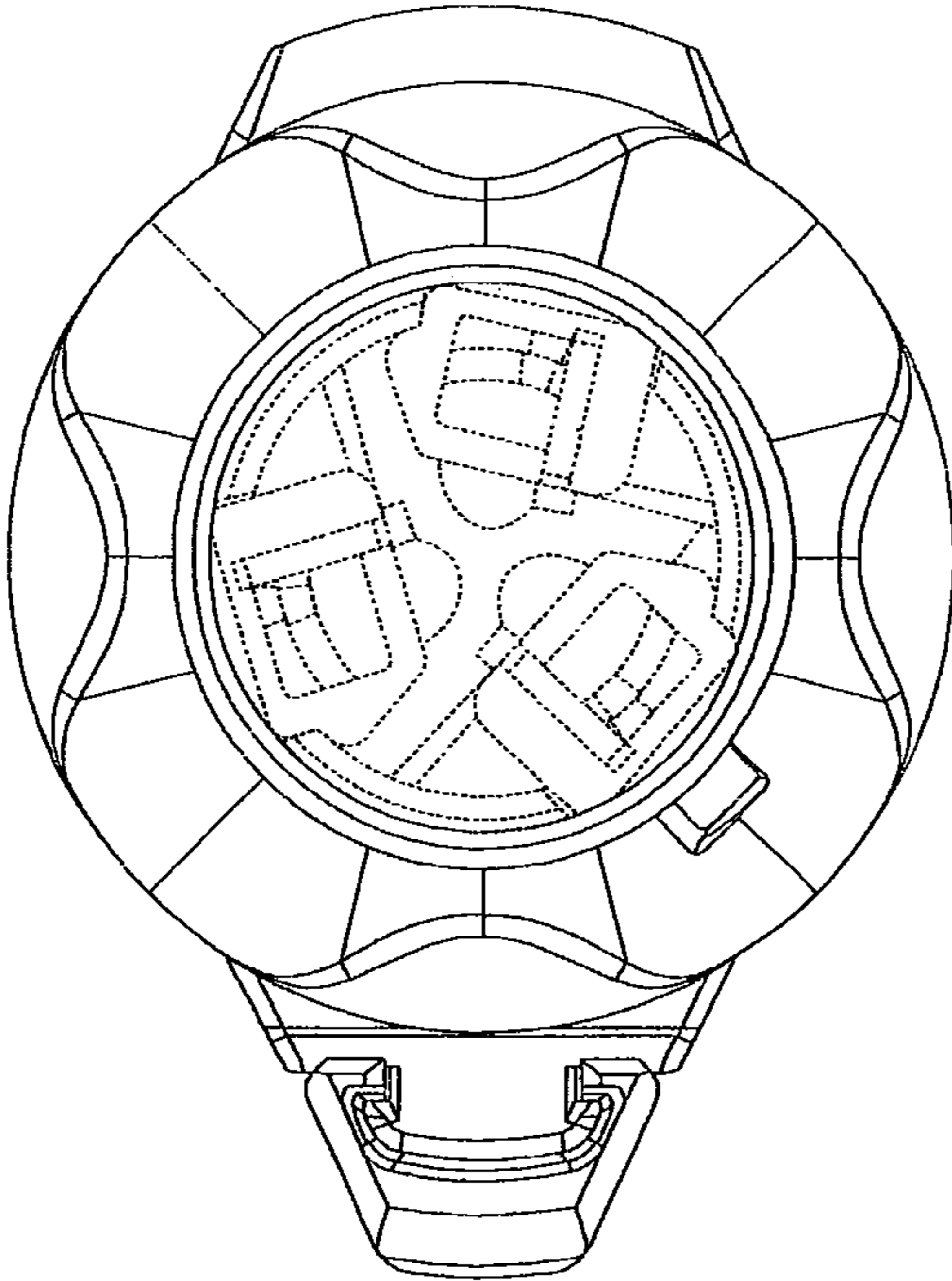


FIG. 1

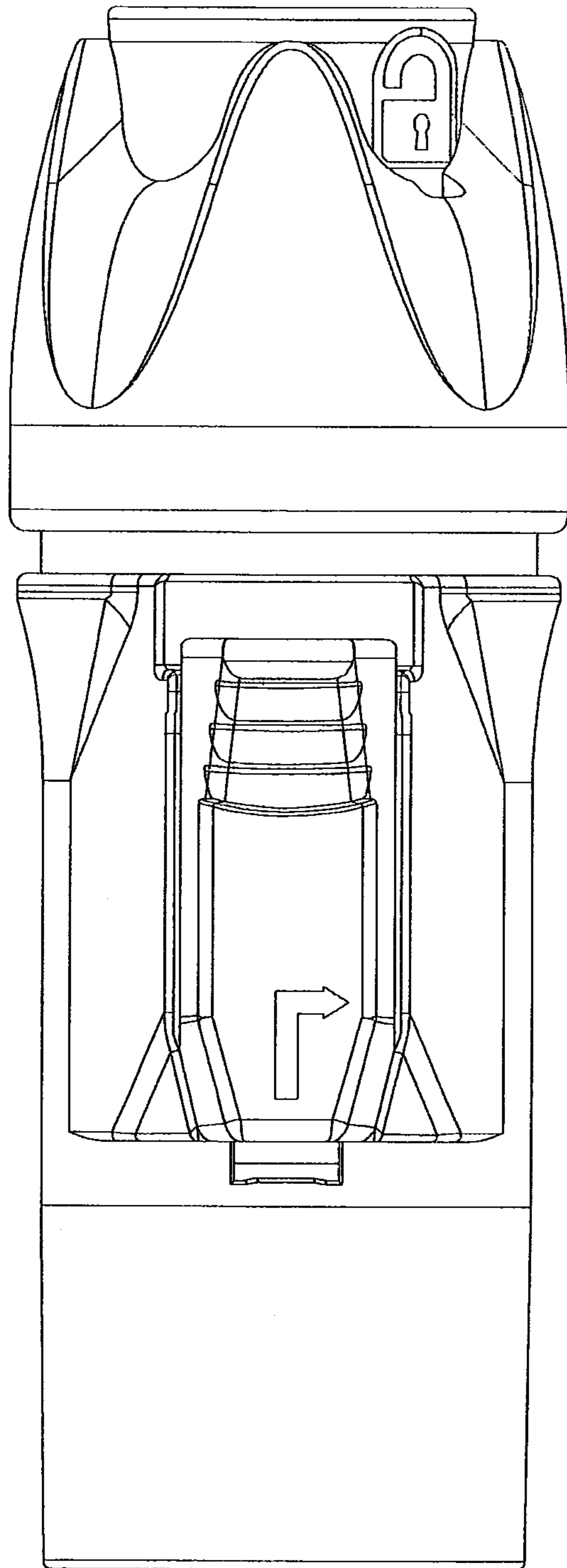


FIG. 2

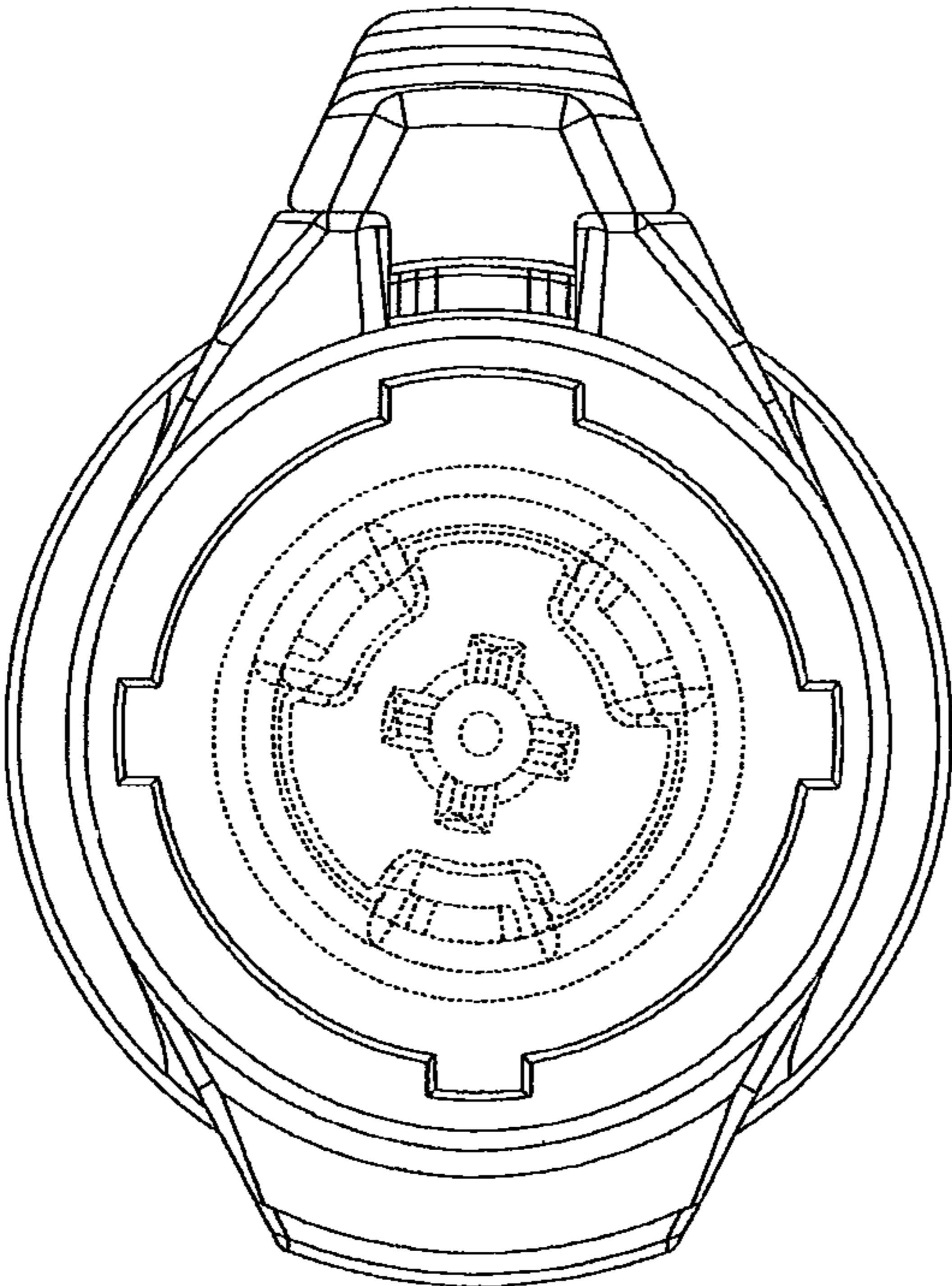


FIG. 3

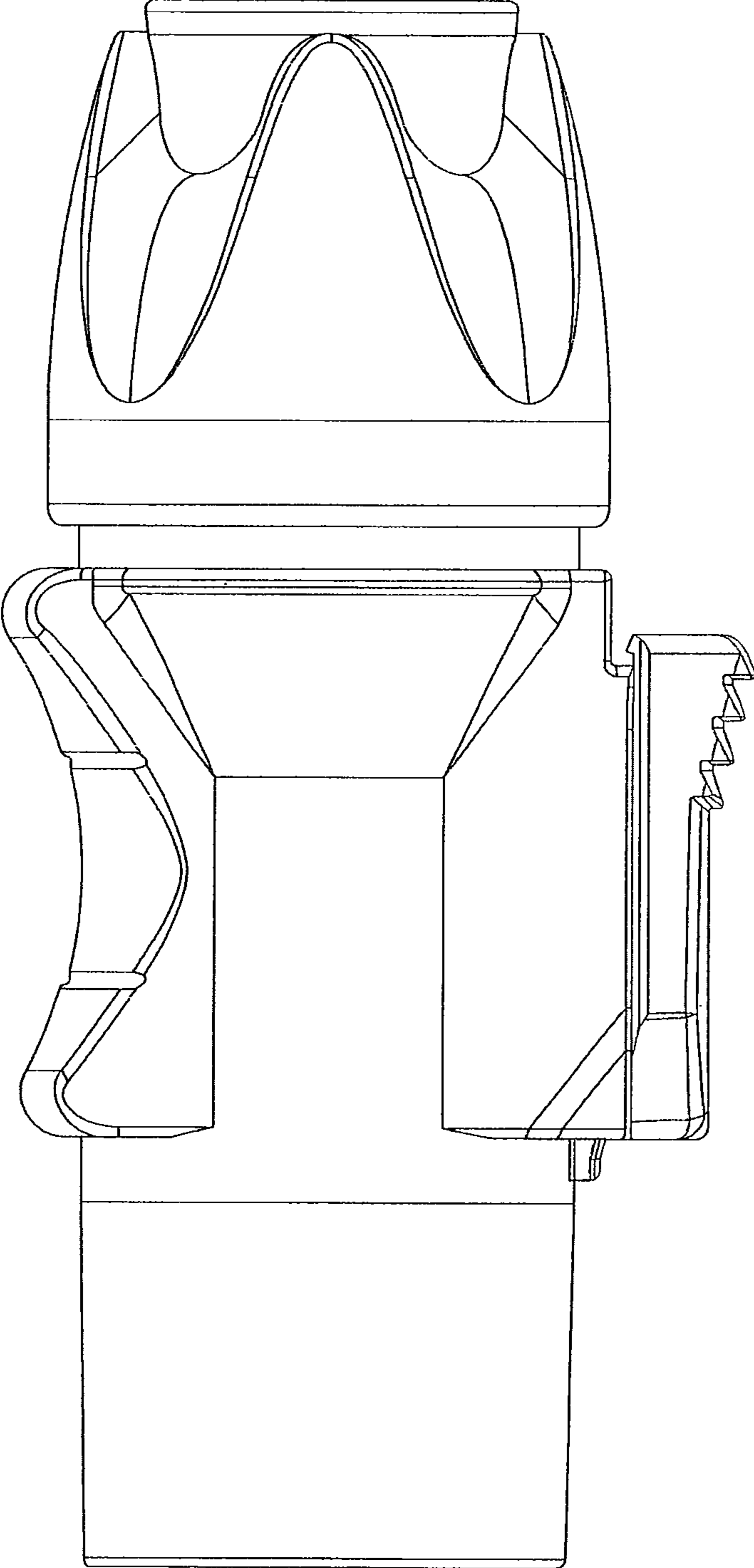


FIG. 4

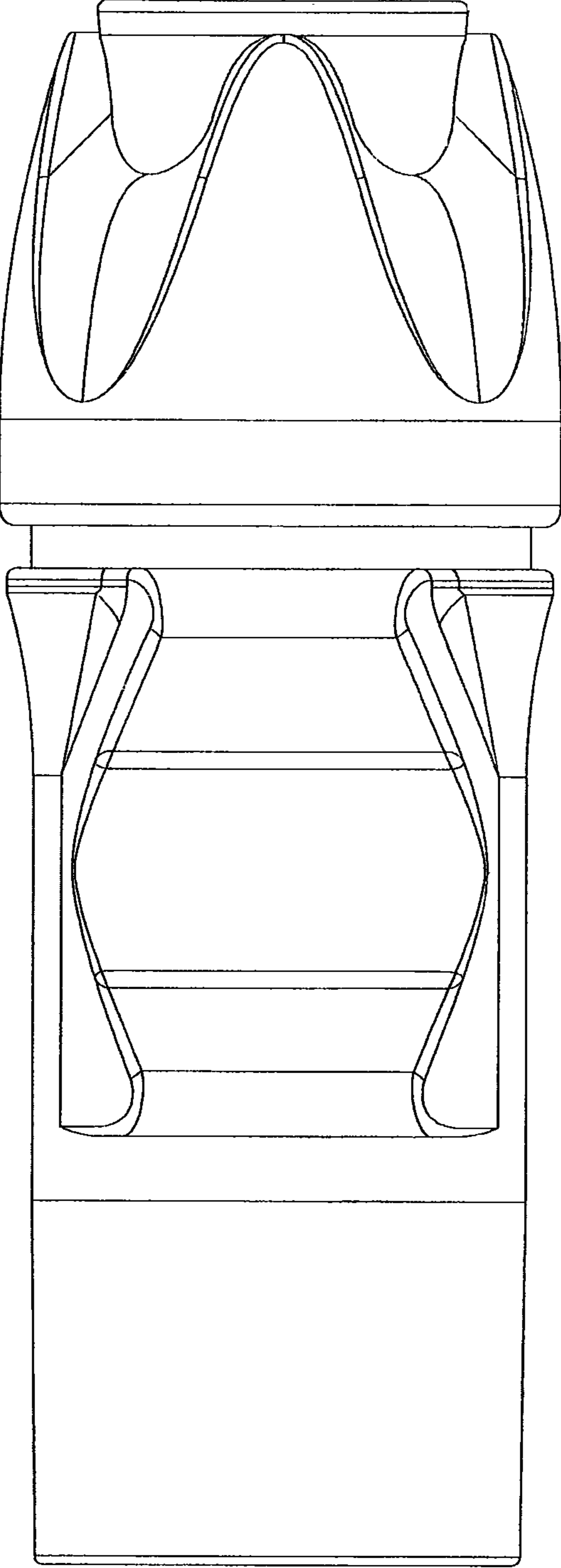


FIG. 5

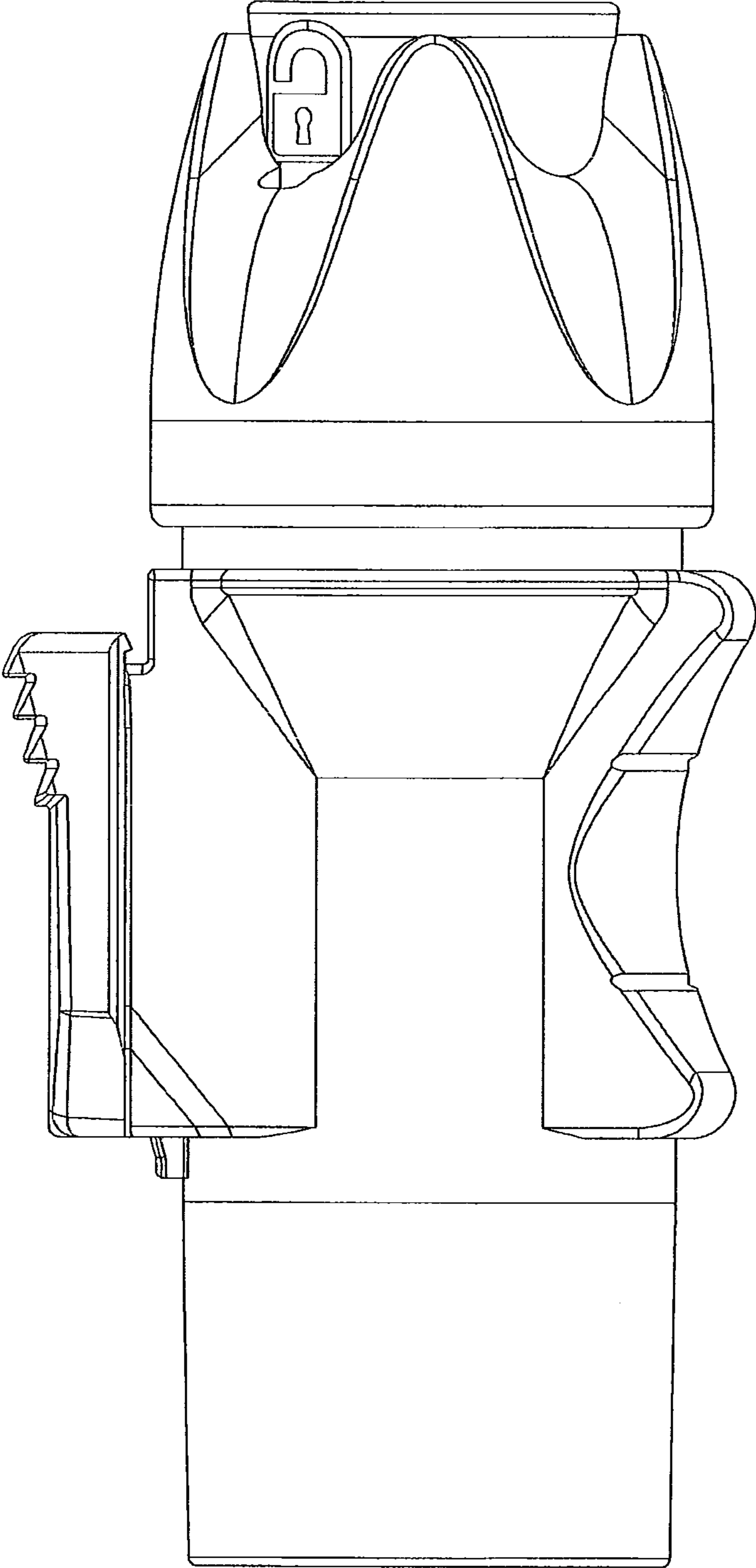


FIG. 6

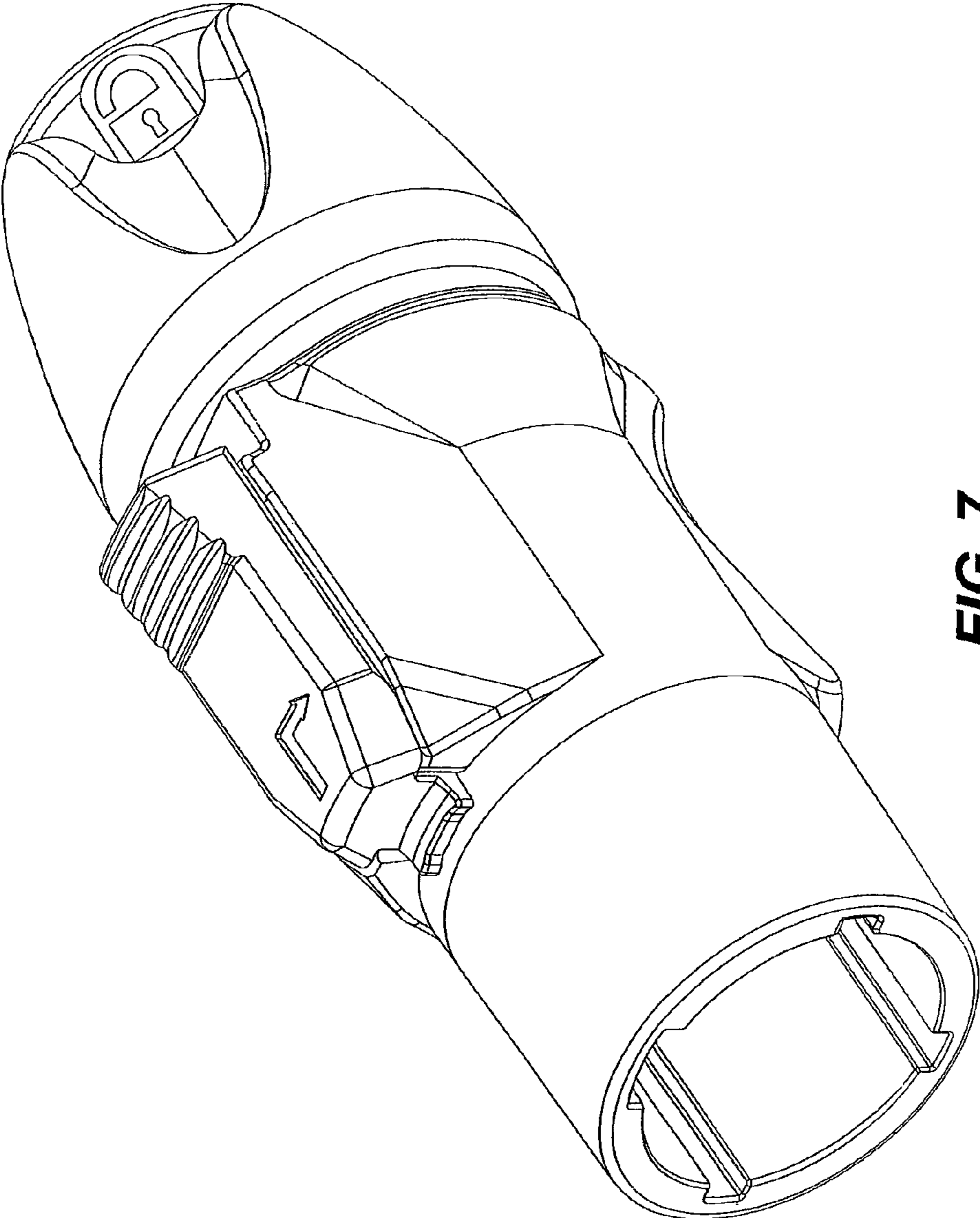


FIG. 7