



US00D693303S

(12) **United States Design Patent**
Bies

(10) **Patent No.:** **US D693,303 S**

(45) **Date of Patent:** **** Nov. 12, 2013**

(54) **ELECTRICAL CONNECTOR**

(75) Inventor: **Henryk Bies**, Sondershausen (DE)

(73) Assignee: **WAGO Verwaltungsgesellschaft mbH**,
Minden (DE)

(**) Term: **14 Years**

(21) Appl. No.: **29/402,829**

(22) Filed: **Sep. 28, 2011**

(30) **Foreign Application Priority Data**

Mar. 29, 2011 (EM) 001842295

(51) **LOC (9) Cl.** **13-03**

(52) **U.S. Cl.**
USPC **D13/133**

(58) **Field of Classification Search**

USPC D13/133, 147, 154, 184; 439/188, 278,
439/374, 378, 380, 527, 533, 607.01,
439/607.04, 607.05, 607.17, 607.25,
439/607.34, 607.41, 607.53, 668, 540.1,
439/541.5, 660, 892, 894, 939

See application file for complete search history.

(56) **References Cited**

U.S. PATENT DOCUMENTS

D431,528 S * 10/2000 Zhu et al. D13/133
D467,872 S * 12/2002 Yeh D13/133

D558,674 S * 1/2008 Lin et al. D13/133
D558,678 S * 1/2008 Han et al. D13/154
D577,677 S * 9/2008 Li et al. D13/133
D578,487 S * 10/2008 Han et al. D13/154
D616,820 S * 6/2010 Gong et al. D13/133
D632,251 S * 2/2011 Chen D13/147
D632,252 S * 2/2011 Guo et al. D13/147
D641,320 S * 7/2011 Huang D13/133

* cited by examiner

Primary Examiner — Daniel Bui

(74) *Attorney, Agent, or Firm* — Renner, Otto, Boisselle &
Sklar, LLP

(57) **CLAIM**

The ornamental design for electrical connector, as shown and
described.

DESCRIPTION

FIG. 1 is a top, rear and left side perspective view of an
electrical connector showing my new design;
FIG. 2 is a top plan view thereof;
FIG. 3 is a rear elevation view thereof;
FIG. 4 is a right side elevation view thereof;
FIG. 5 is a left side elevation view thereof;
FIG. 6 is a bottom plan view thereof; and,
FIG. 7 is a front elevation view thereof.

The broken lines in the drawing views are included to show
unclaimed environment only and form no part of the claimed
design.

1 Claim, 5 Drawing Sheets

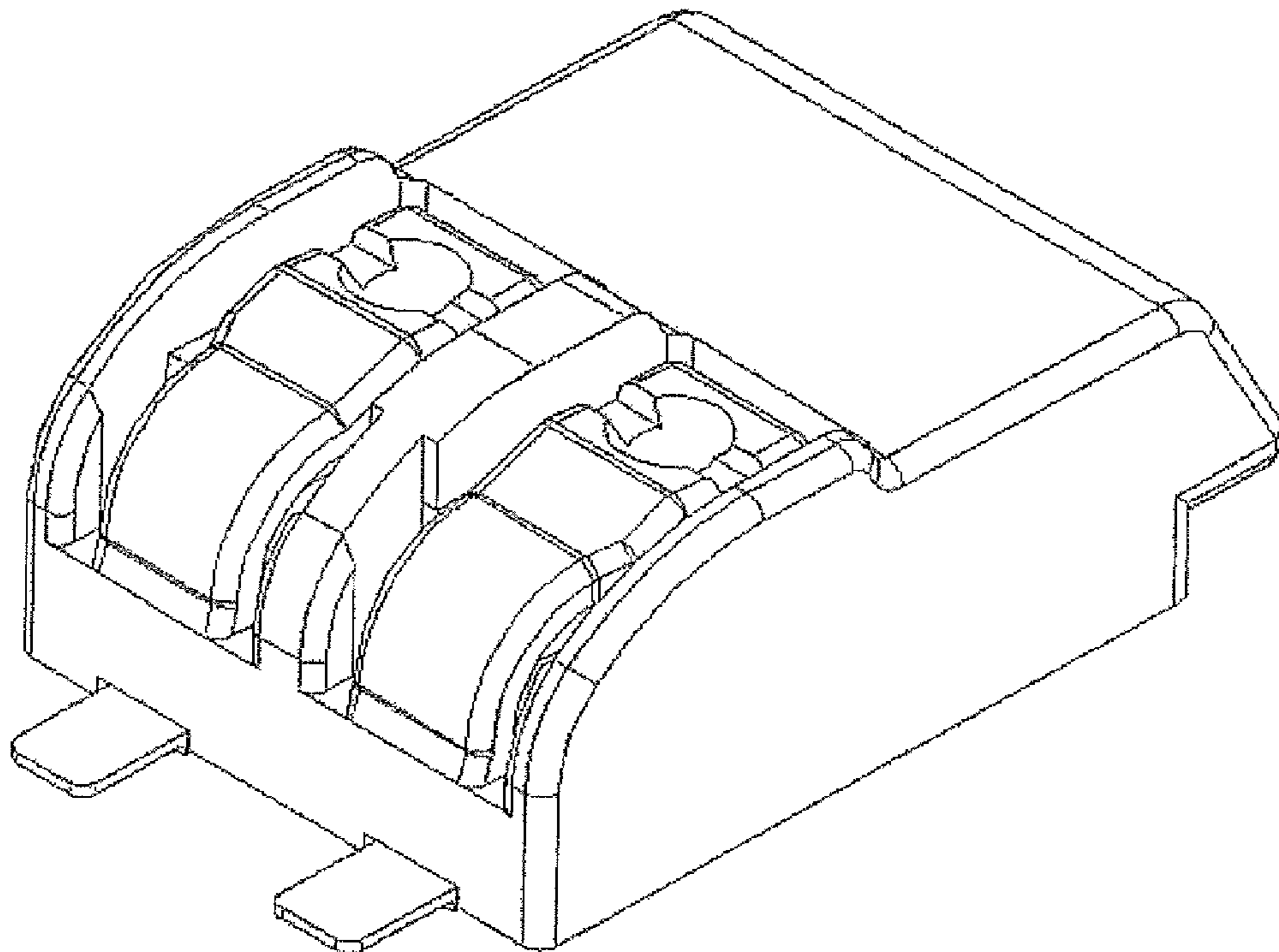
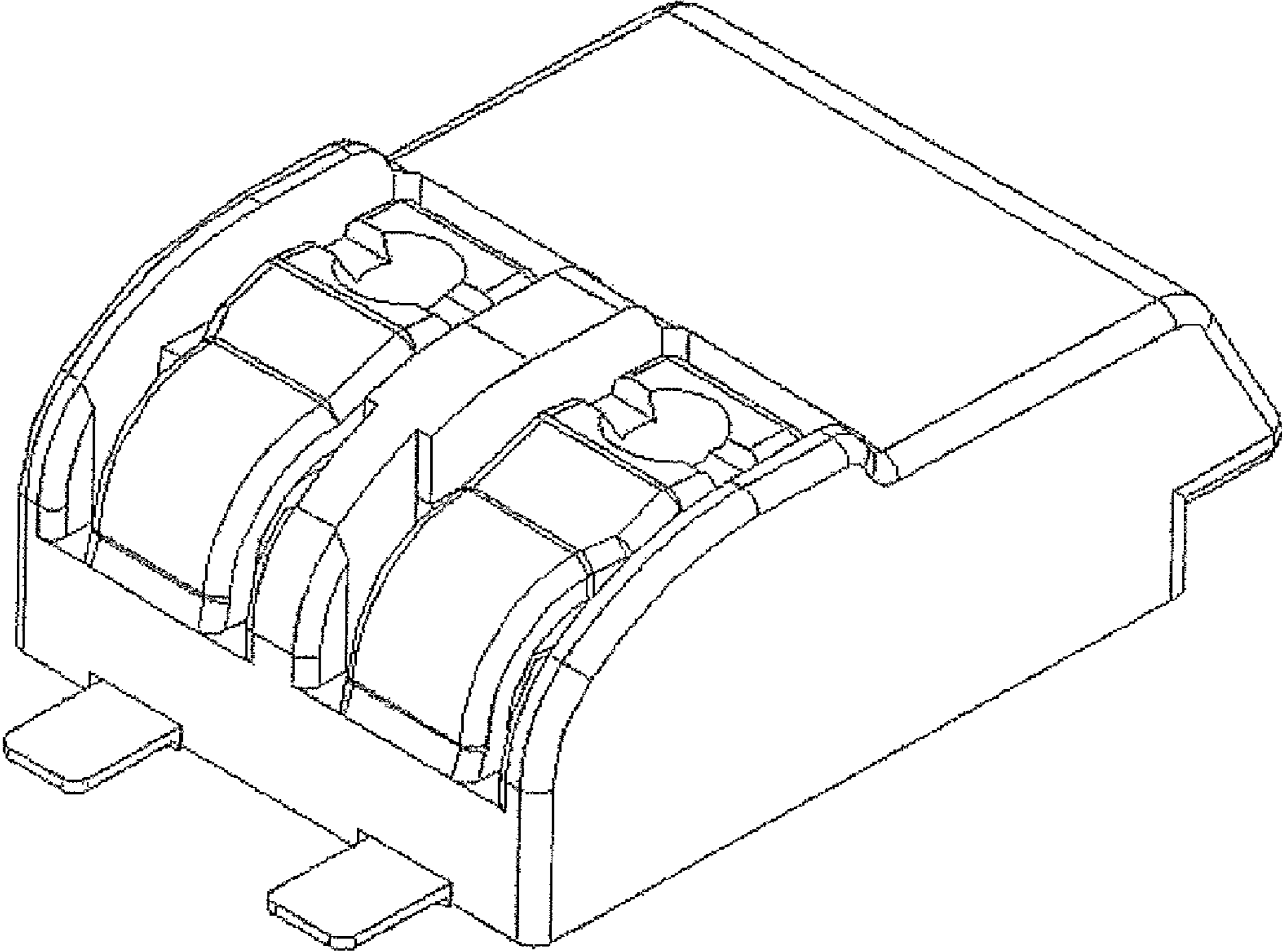


FIGURE 1



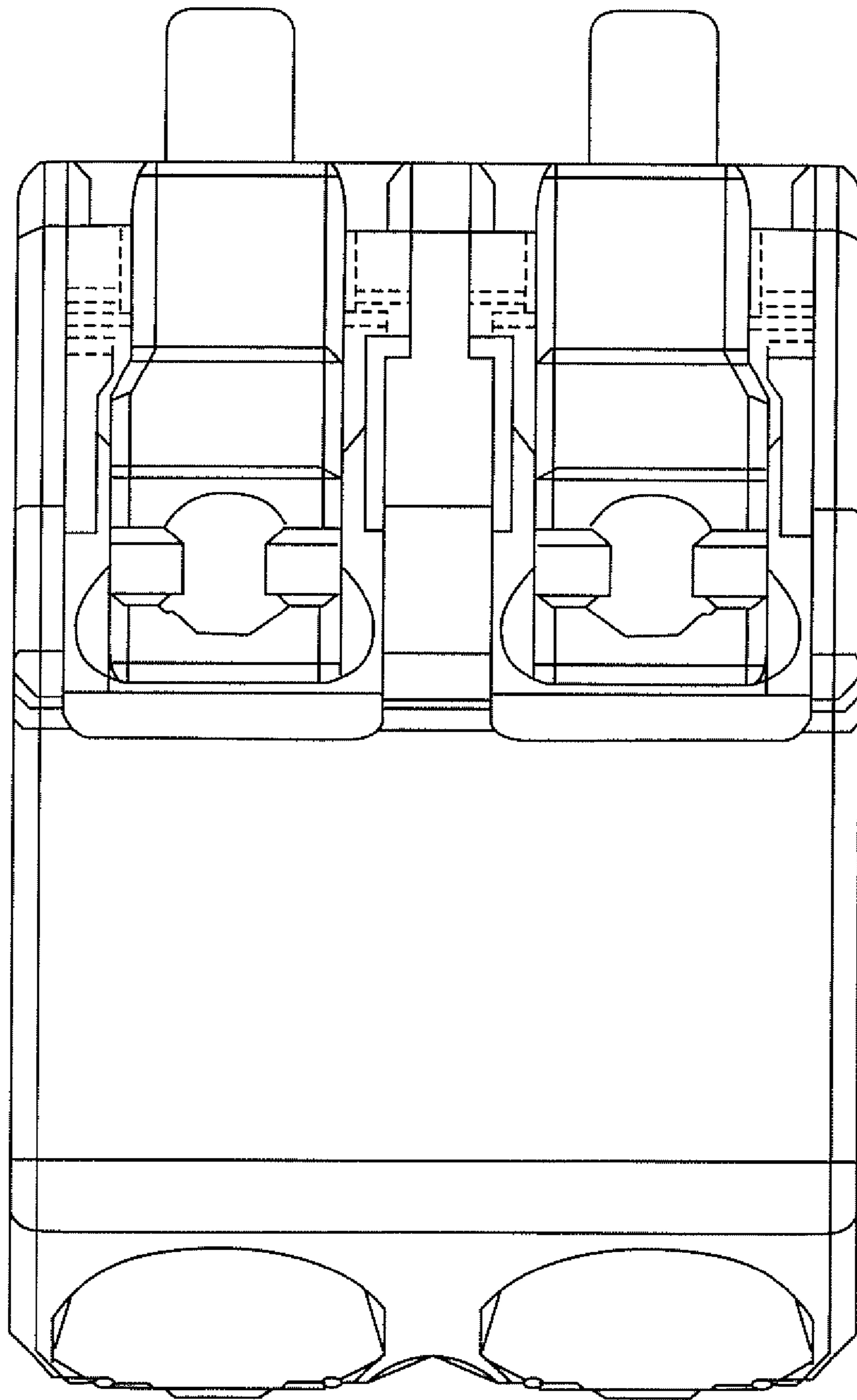


FIGURE 2

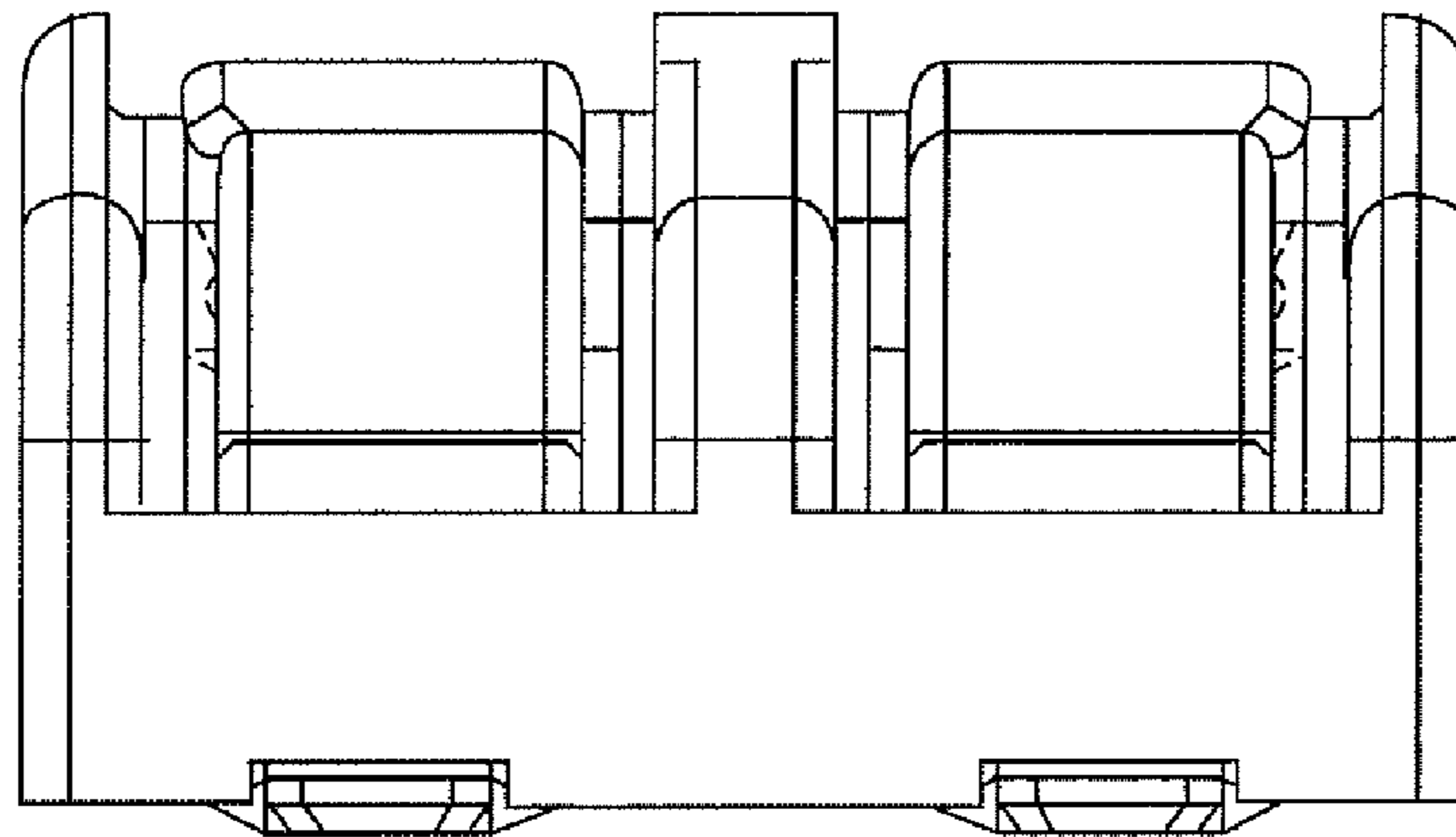


FIGURE 3

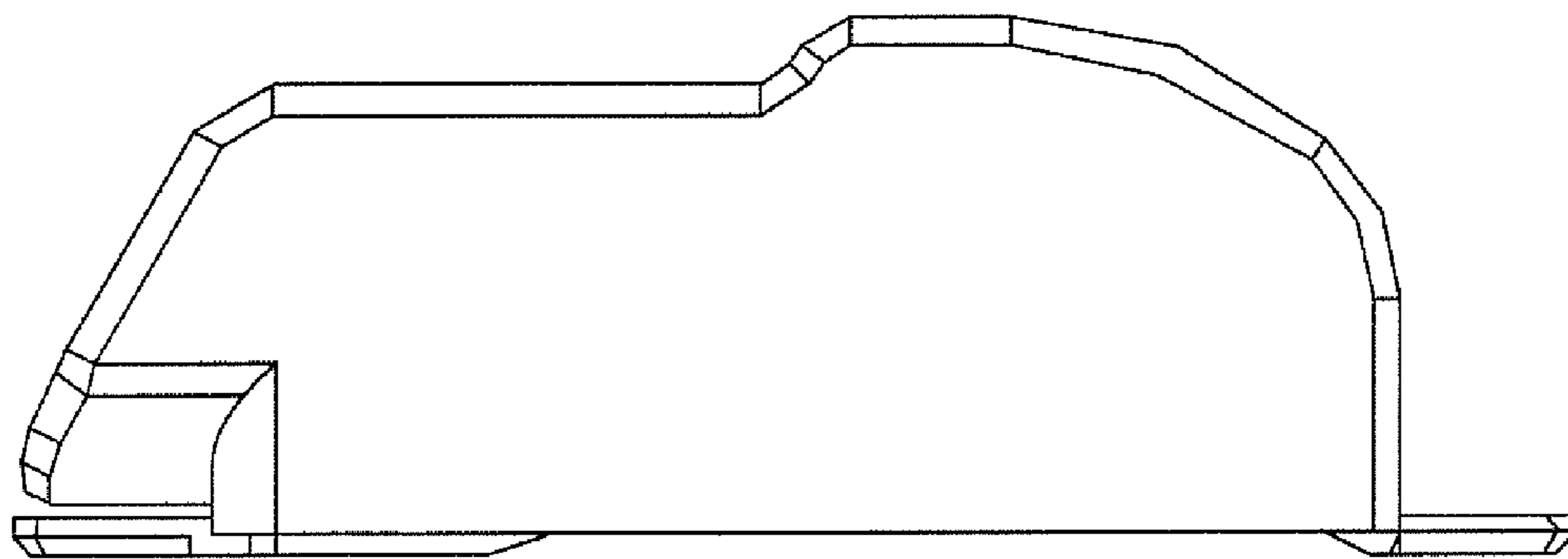


FIGURE 4

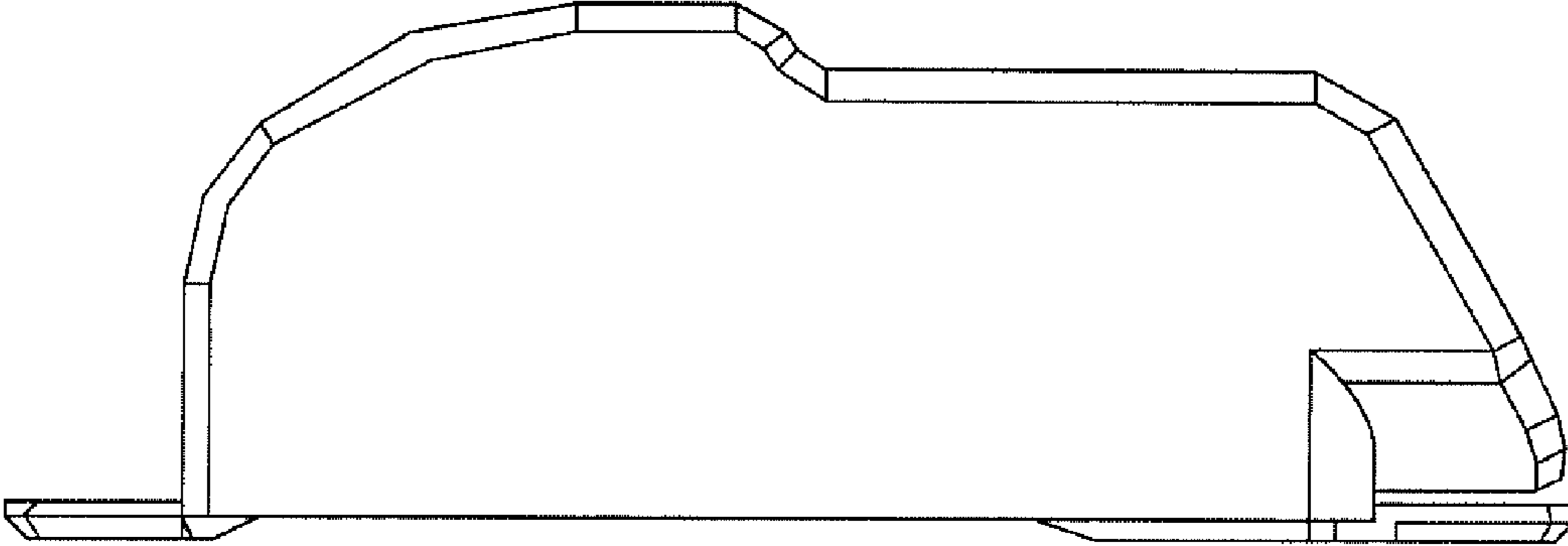


FIGURE 5

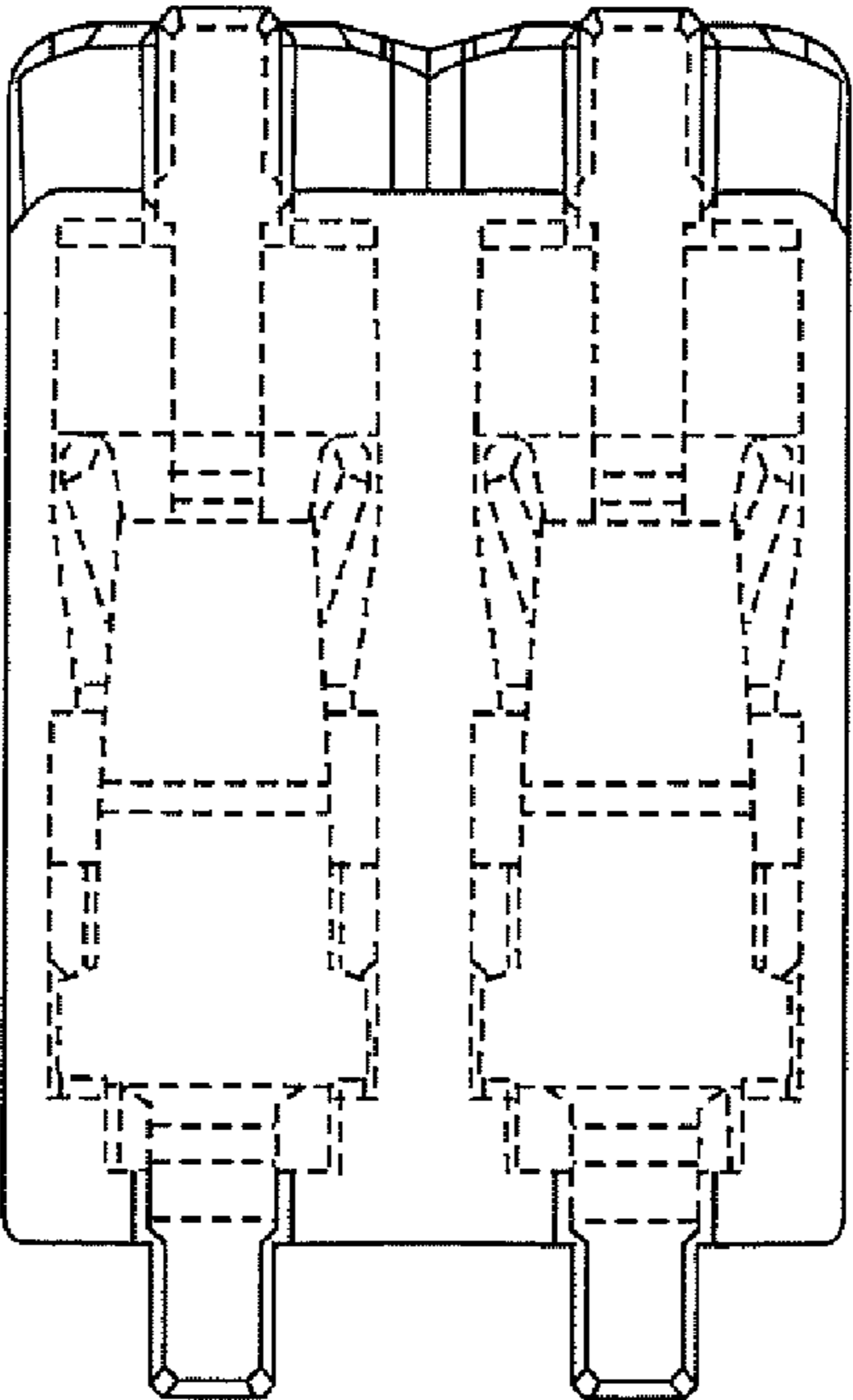


FIGURE 6

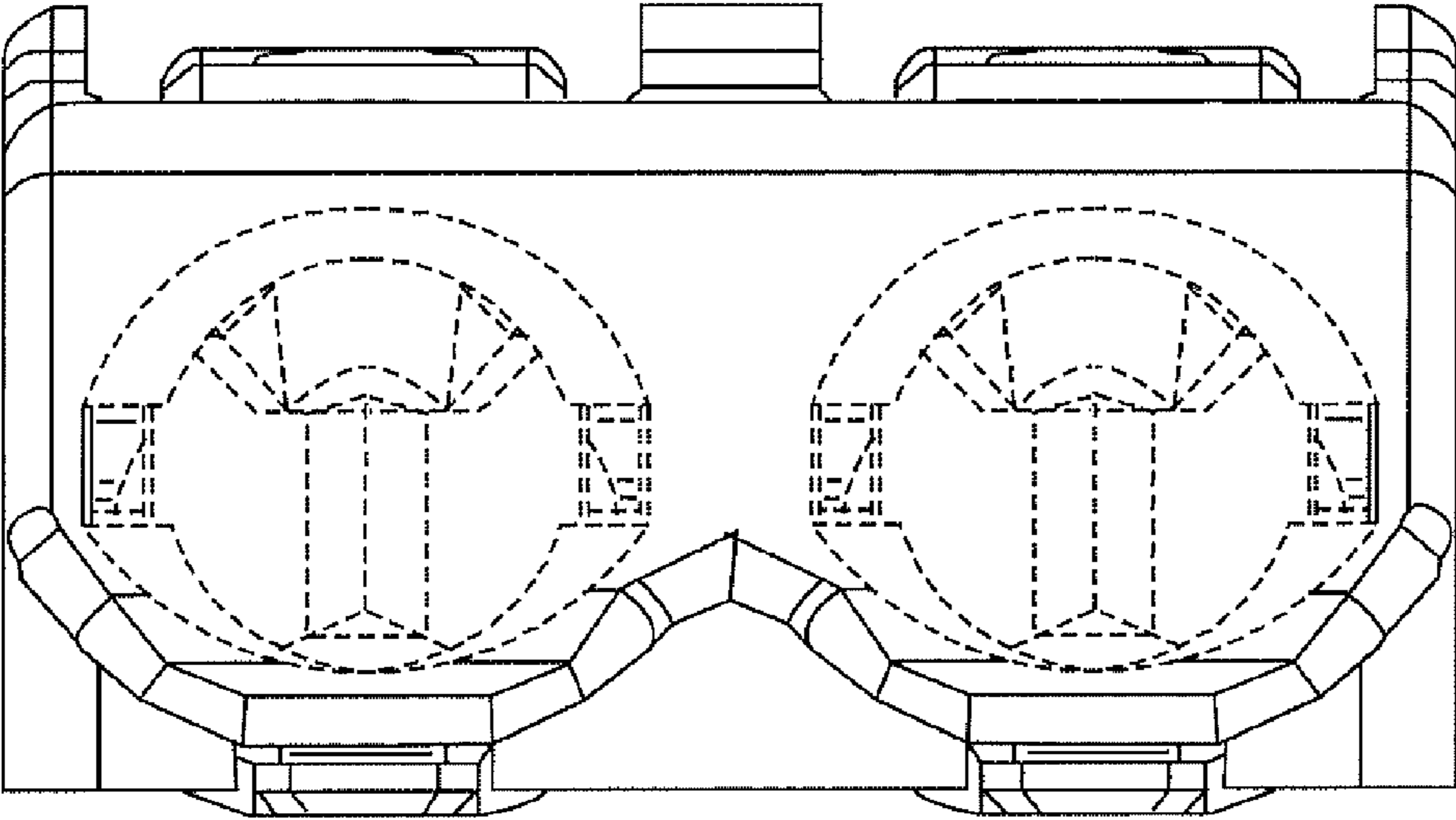


FIGURE 7