

US00D693302S

(12) **United States Design Patent**
Yamada et al.

(10) **Patent No.:** **US D693,302 S**

(45) **Date of Patent:** **** Nov. 12, 2013**

(54) **COIL COMPONENT**

(75) Inventors: **Satoru Yamada**, Tokyo (JP); **Kazuyuki Kikuchi**, Tokyo (JP)

(73) Assignee: **Sumida Corporation**, Chuo-Ku, Tokyo (JP)

(**) Term: **14 Years**

(21) Appl. No.: **29/407,568**

(22) Filed: **Nov. 30, 2011**

(30) **Foreign Application Priority Data**

Jun. 15, 2011 (JP) 2011-013574

(51) **LOC (9) Cl.** **13-02**

(52) **U.S. Cl.**
USPC **D13/117**

(58) **Field of Classification Search**
USPC D13/117, 101, 118, 133, 179, 183, 199;
123/634; 250/231.12; 336/83, 90, 92,
336/96, 160, 178, 192, 198, 200; D15/5,
D15/199

See application file for complete search history.

(56) **References Cited**

U.S. PATENT DOCUMENTS

D203,179	S	*	12/1965	Foerster	D13/117
D421,595	S	*	3/2000	Davis	D13/117
6,774,757	B2	*	8/2004	Fujiyoshi et al.	336/200
7,129,810	B1	*	10/2006	Kimura	336/83
D550,622	S	*	9/2007	Shih	D13/118
7,471,179	B2	*	12/2008	Hatakeyama et al.	336/192
D586,745	S	*	2/2009	Shibata et al.	D13/117
2007/0109087	A1	*	5/2007	Kawarai	336/200
2009/0144967	A1	*	6/2009	Hasu et al.	29/605

* cited by examiner

Primary Examiner — Derrick Holland

(74) *Attorney, Agent, or Firm* — Buchanan Ingersoll & Rooney PC

(57) **CLAIM**

The ornamental design for a coil component, as shown and described.

DESCRIPTION

FIG. 1 is a front elevational view of a coil component showing our new design.

FIG. 2 is a rear elevational view thereof.

FIG. 3 is a right side elevational view thereof.

FIG. 4 is a left side elevational view thereof.

FIG. 5 is a top plan view thereof.

FIG. 6 is a bottom plan view thereof.

FIG. 7 is a top perspective view thereof; and,

FIG. 8 is a bottom perspective view thereof.

1 Claim, 4 Drawing Sheets

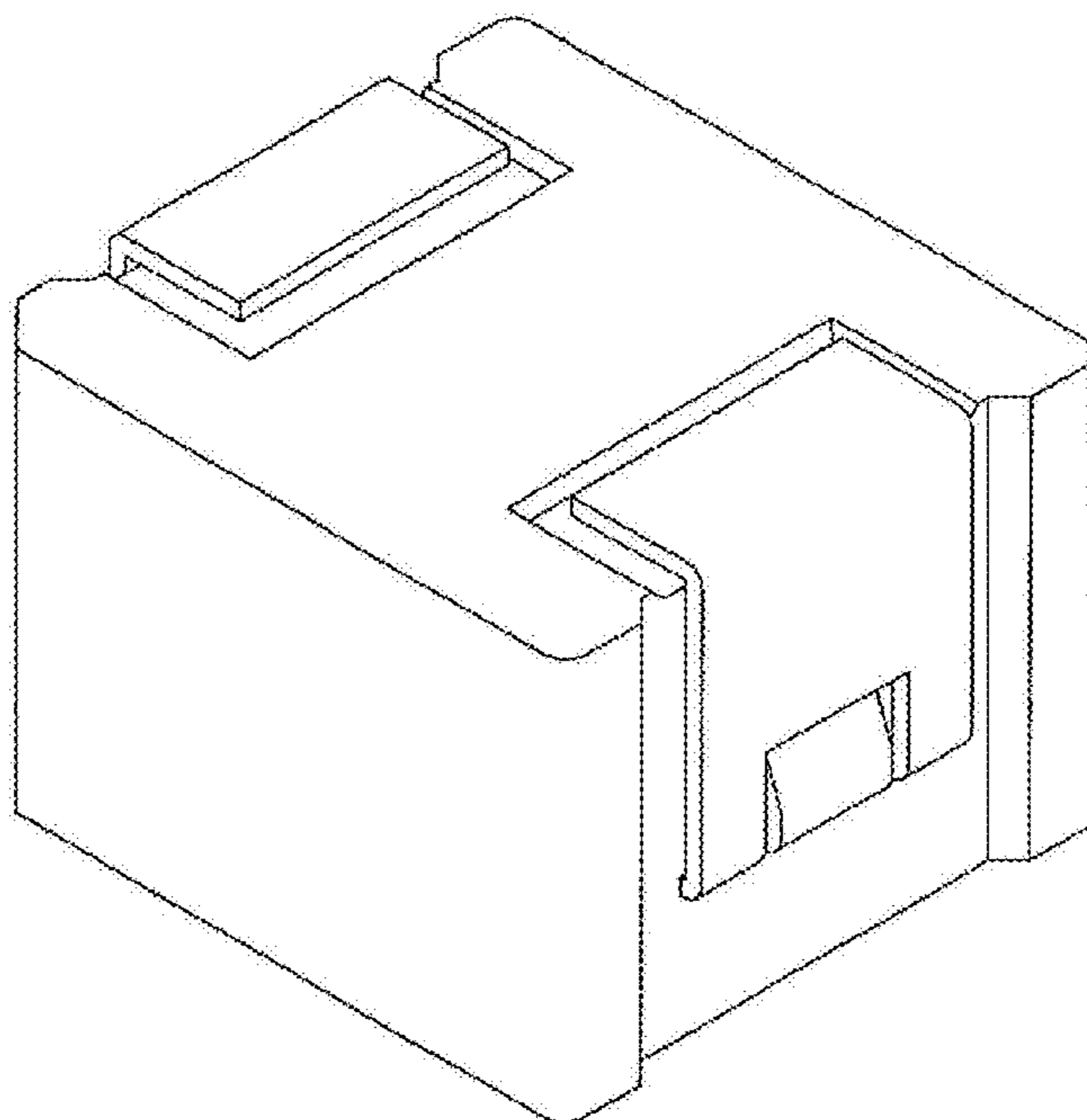


FIG. 1

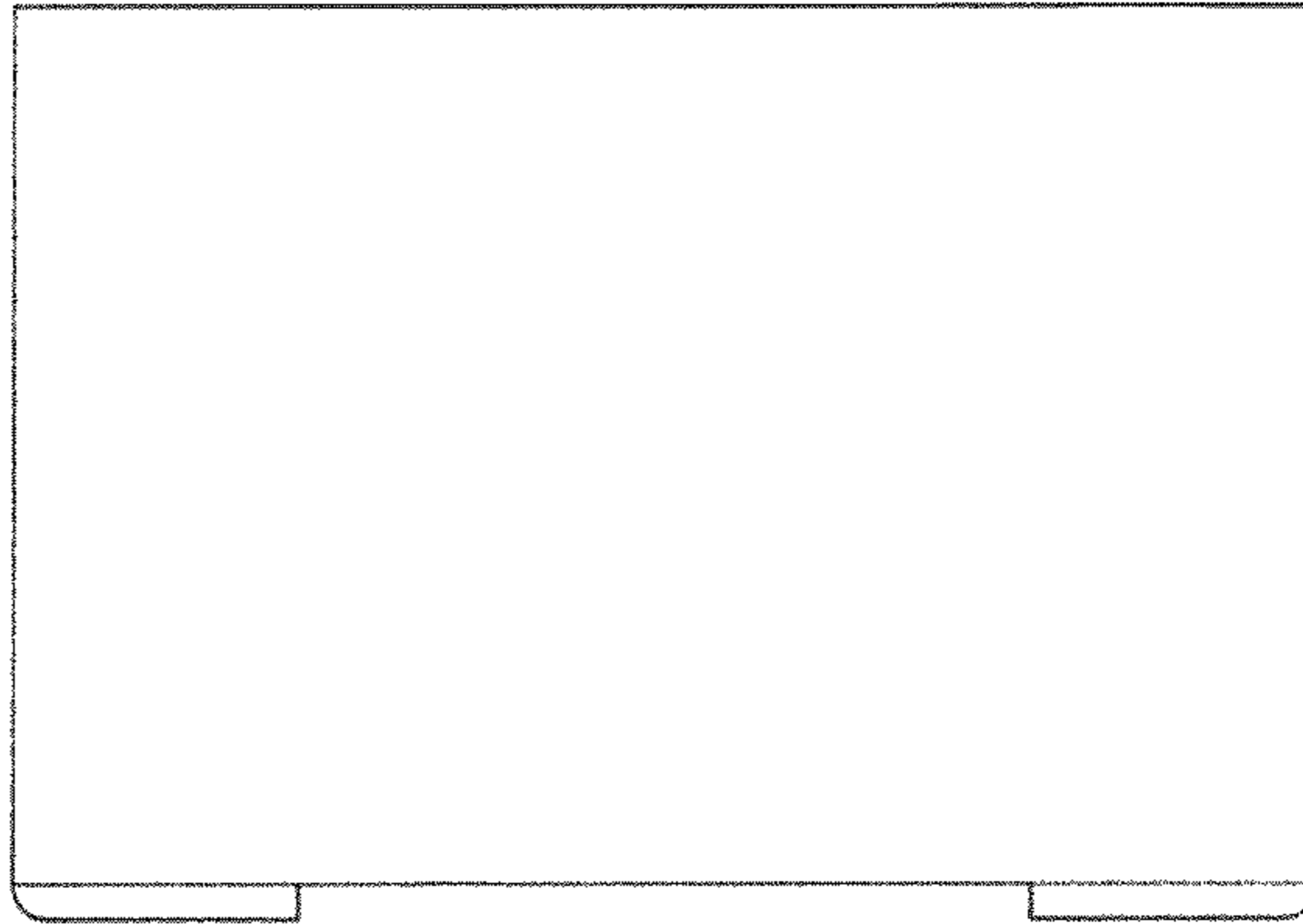


FIG. 2

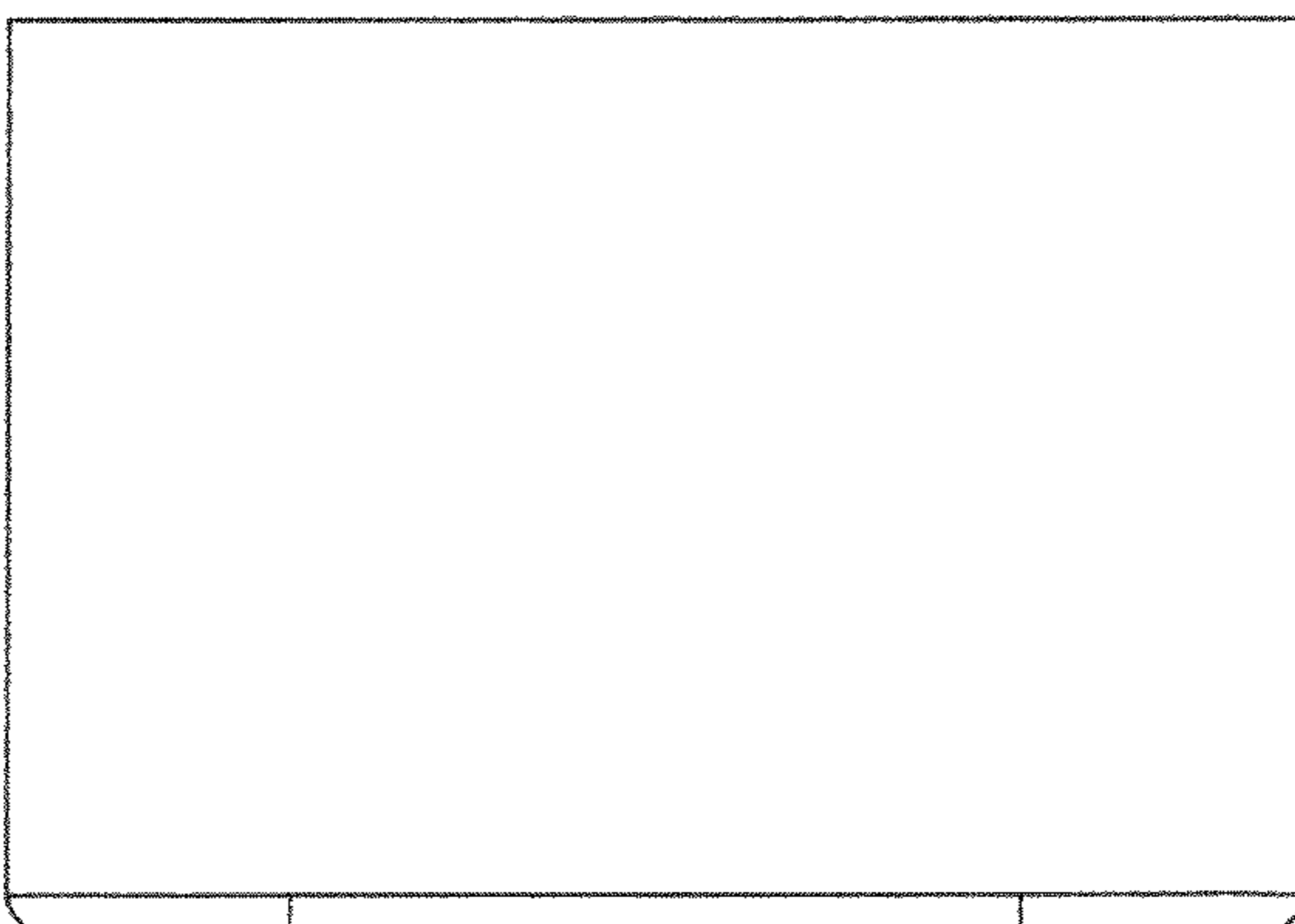


FIG. 3

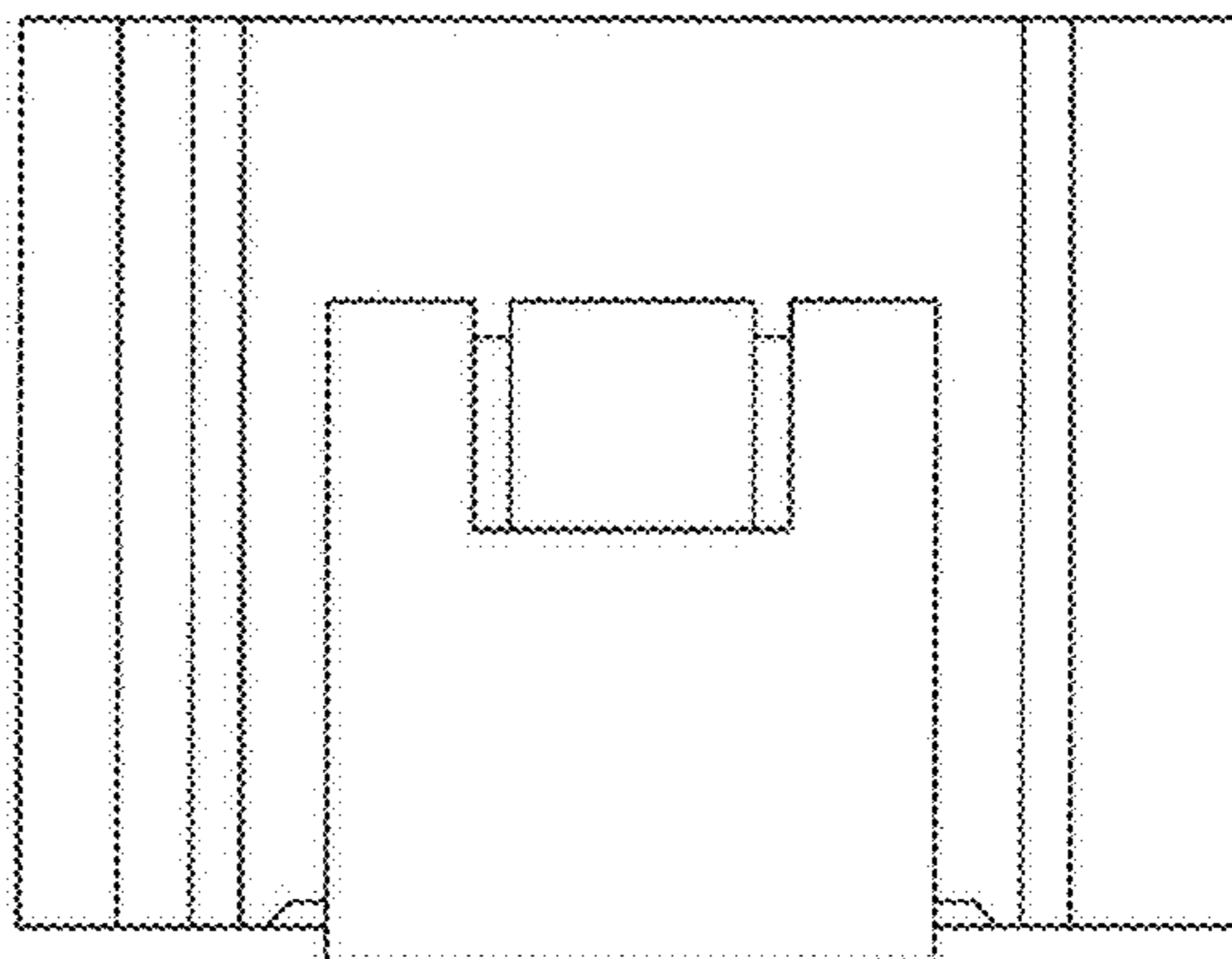


FIG. 4

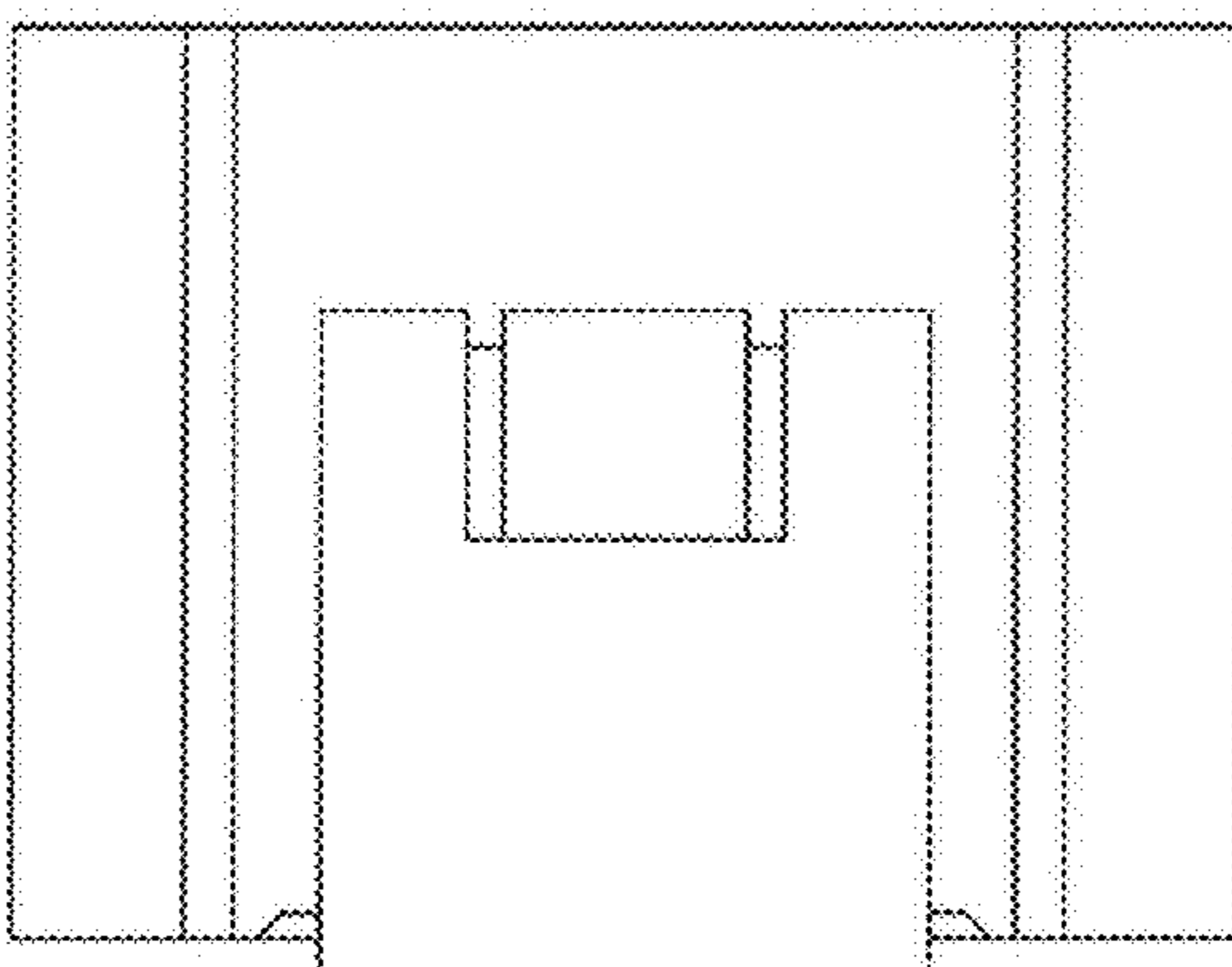


FIG. 5

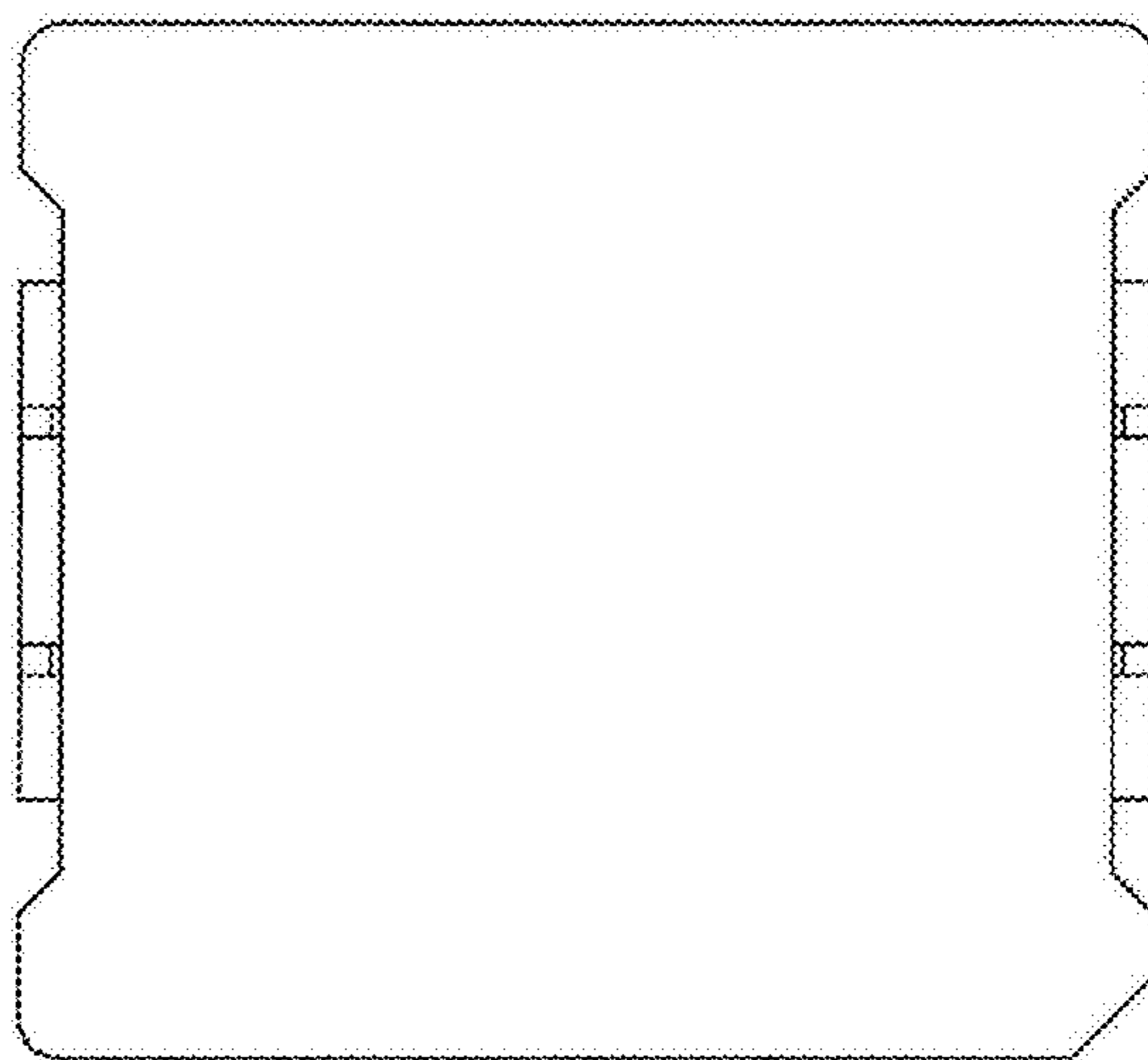


FIG. 6

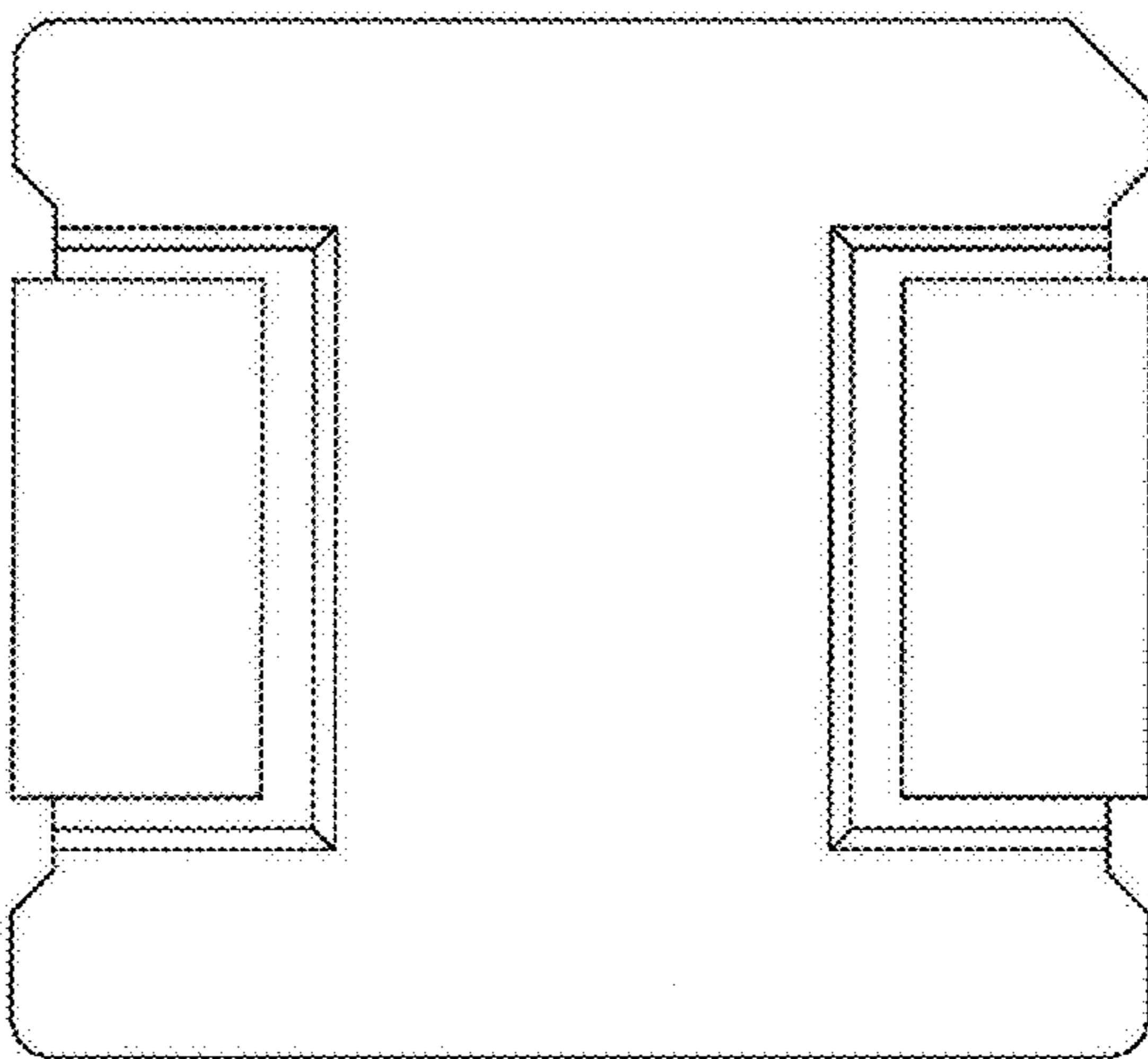


FIG. 7

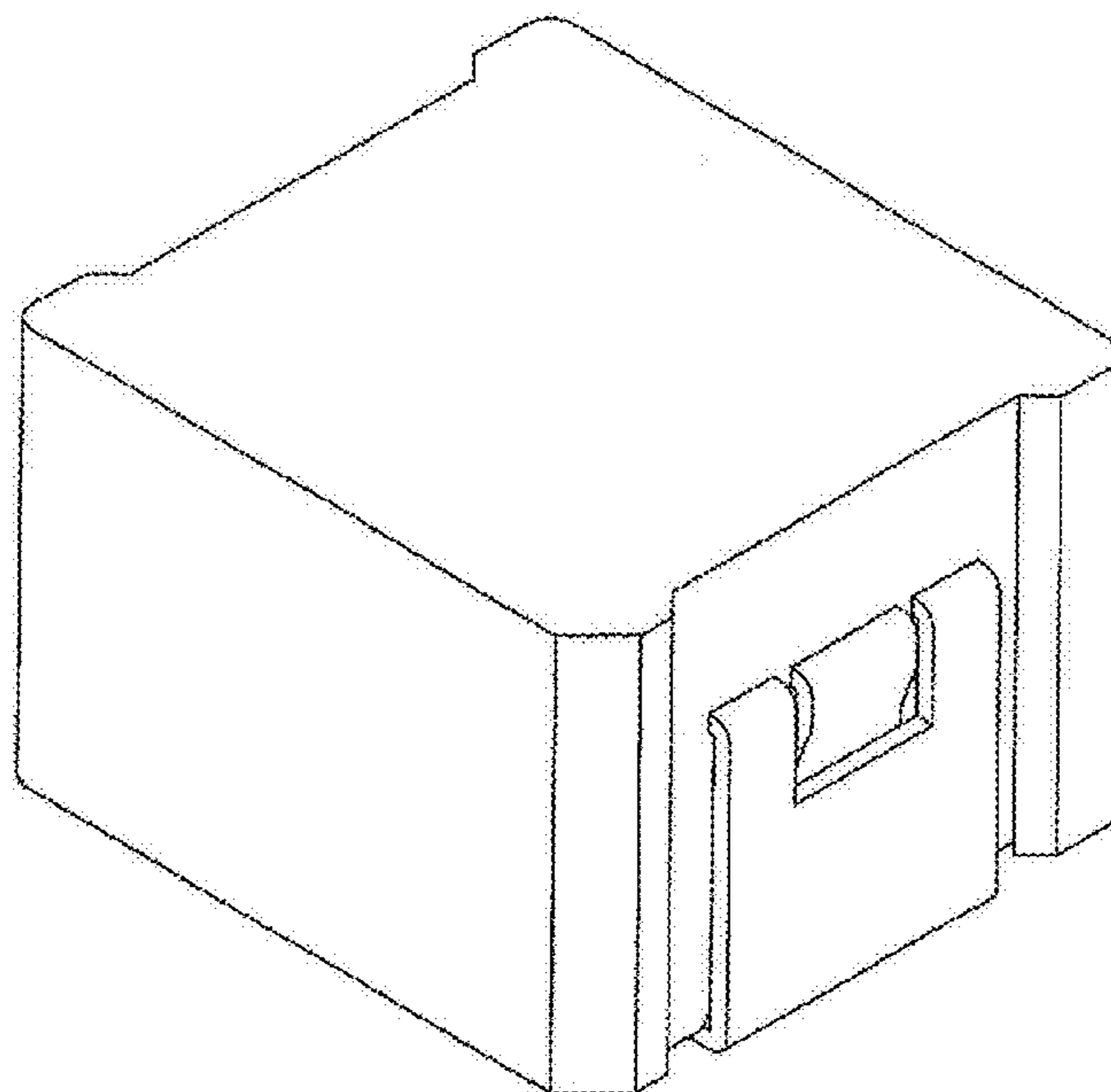


FIG. 8

