



US00D693301S

(12) **United States Design Patent**
Laurino et al.

(10) **Patent No.:** **US D693,301 S**

(45) **Date of Patent:** **** Nov. 12, 2013**

(54) **ROGOWSKI COIL**

D586,745 S * 2/2009 Shibata et al. D13/117
D594,412 S * 6/2009 Ueki et al. D13/122
D599,233 S * 9/2009 Ebenezer et al. D10/80

(75) Inventors: **Ferdinand Laurino**, Seattle, WA (US);
Christopher W. Lagerberg, Seattle, WA
(US)

* cited by examiner

(73) Assignee: **Fluke Corporation**, Everett, WA (US)

Primary Examiner — Derrick Holland

(**) Term: **14 Years**

(74) *Attorney, Agent, or Firm* — Christensen O'Connor
Johnson Kindness PLLC

(21) Appl. No.: **29/357,539**

(57) **CLAIM**

(22) Filed: **Mar. 12, 2010**

The ornamental design for a Rogowski coil, as shown and
described.

(51) **LOC (9) Cl.** **13-02**

(52) **U.S. Cl.**
USPC **D13/117**

DESCRIPTION

(58) **Field of Classification Search**
USPC D13/117, 101, 118, 130, 183, 199;
D10/75, 80; D15/199; 123/634;
250/231.12; 336/83, 90, 92, 96, 160,
336/178, 192, 198, 200; 335/282
See application file for complete search history.

FIG. 1 is a front elevation view of a Rogowski coil showing
our new design;
FIG. 2 is a left side elevation view thereof;
FIG. 3 is a right side elevation view thereof;
FIG. 4 is a back elevation view thereof;
FIG. 5 is a front perspective view thereof; and,
FIG. 6 is an enlarged fragmented partial perspective view
thereof.

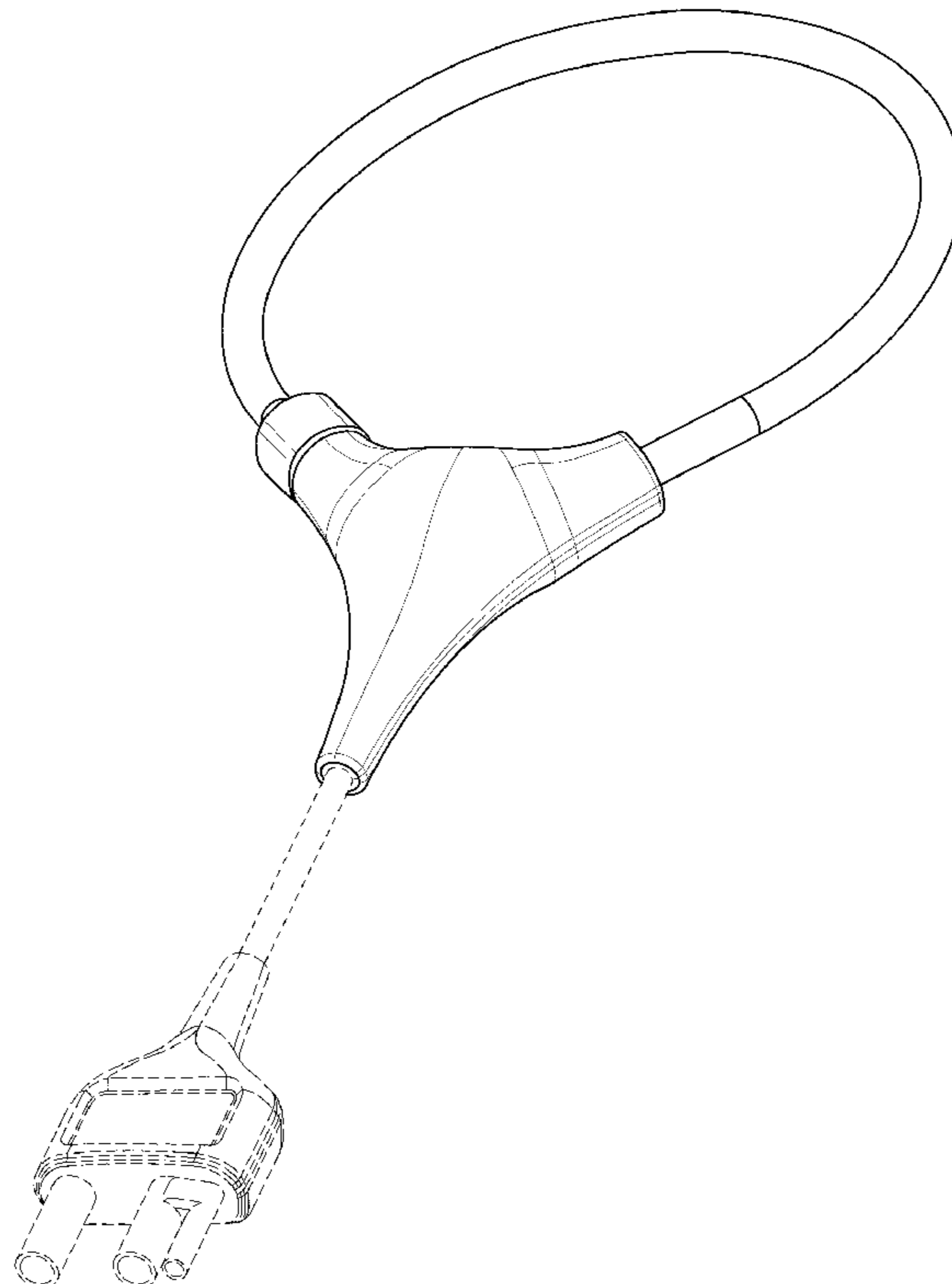
(56) **References Cited**

The broken lines shown represent unclaimed subject matter
and form no part of the claimed design.

U.S. PATENT DOCUMENTS

3,833,871 A * 9/1974 Fisher et al. 335/282
D442,547 S * 5/2001 Takebuchi et al. D13/117

1 Claim, 4 Drawing Sheets



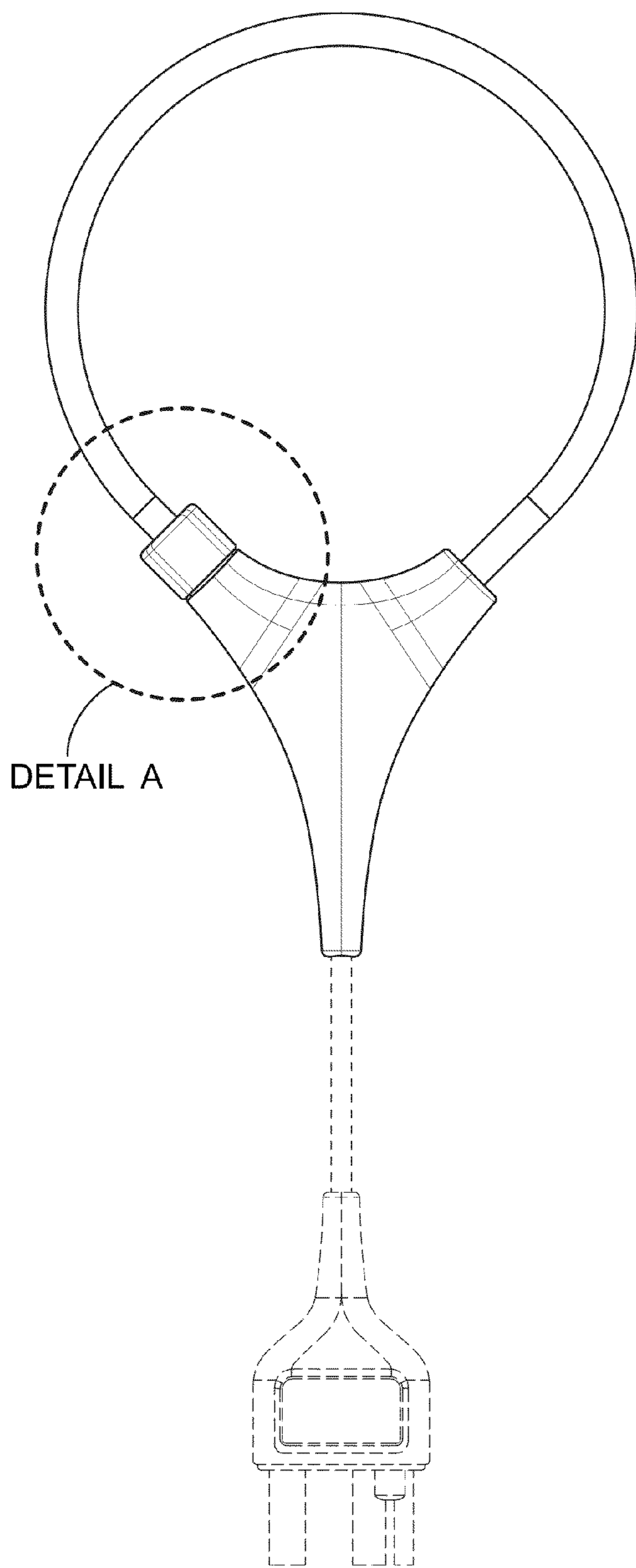


FIG. 1

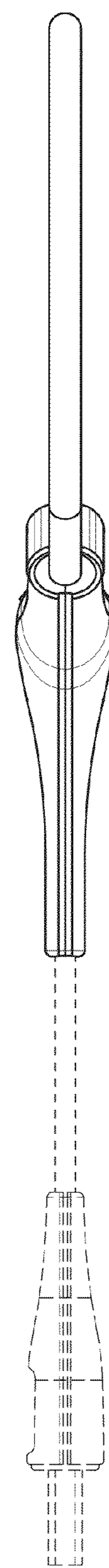


FIG. 2

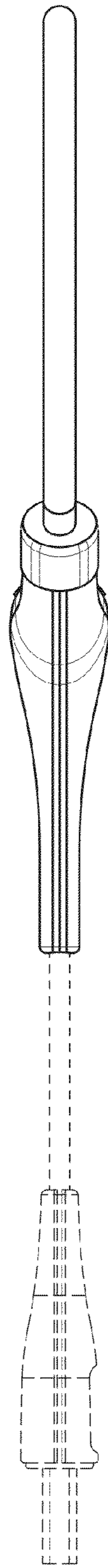


FIG. 3

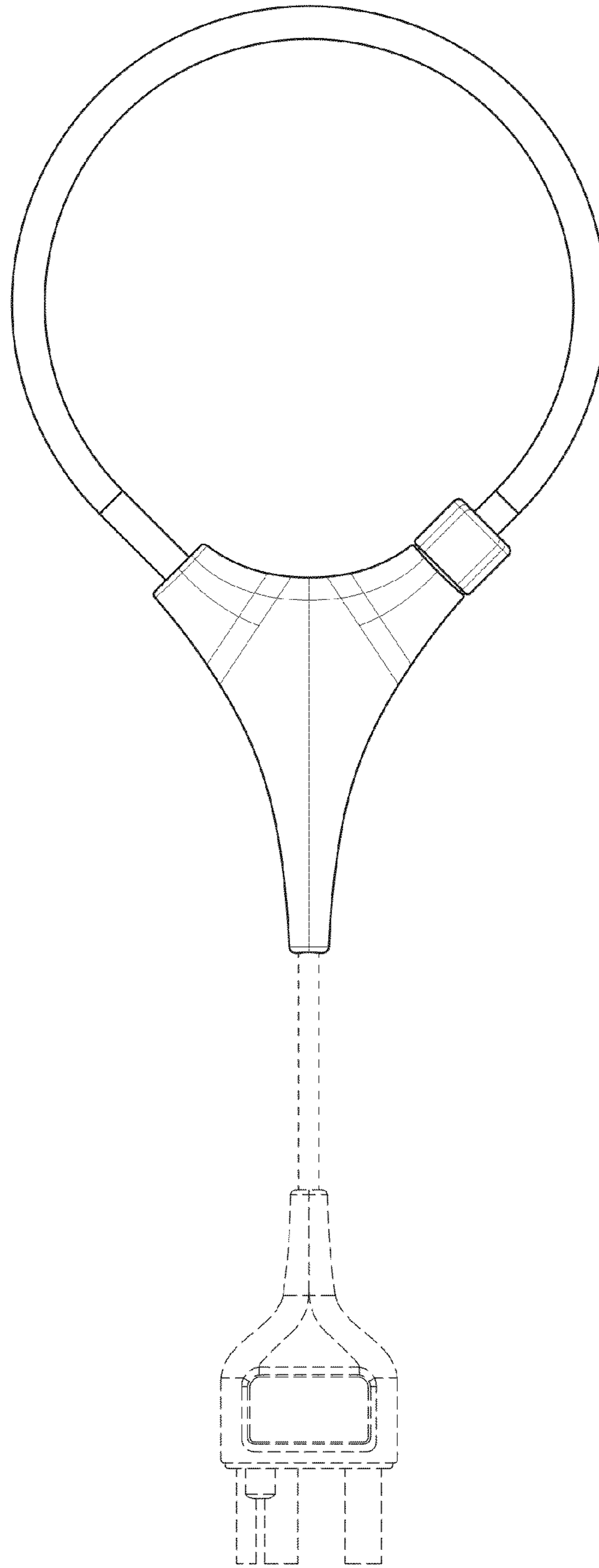


FIG. 4

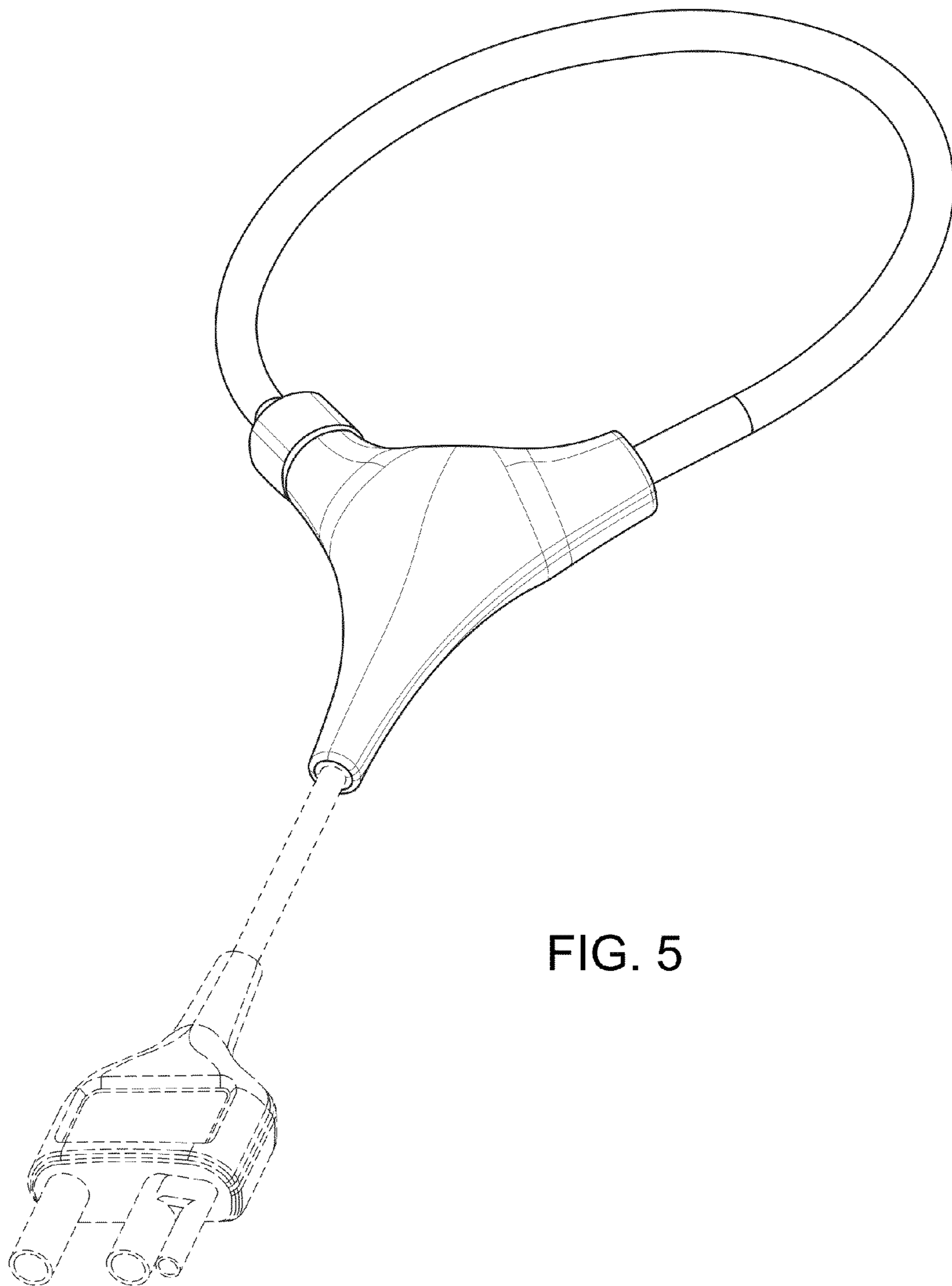
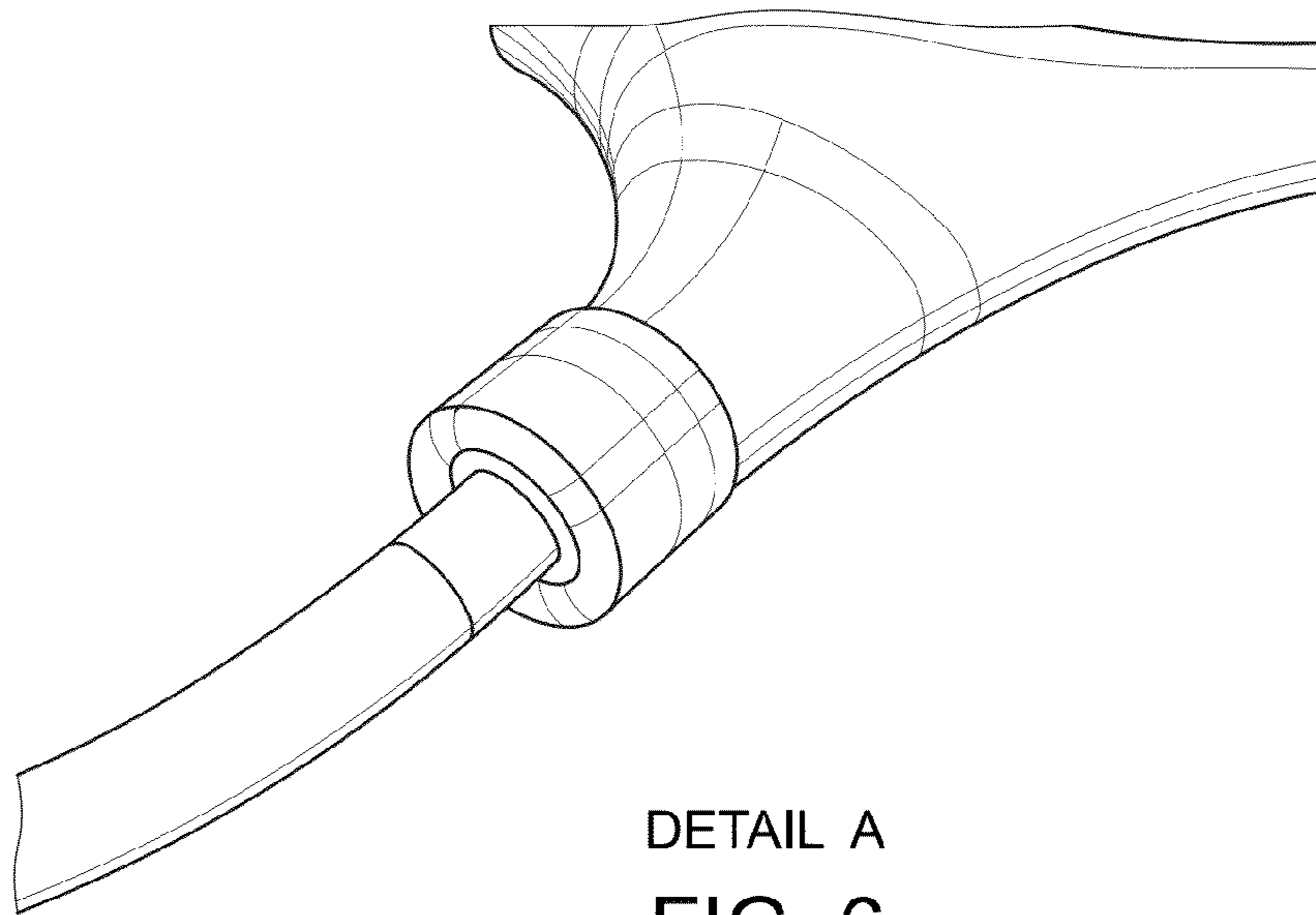


FIG. 5



DETAIL A
FIG. 6