



US00D693300S

(12) **United States Design Patent**
Fukasawa et al.

(10) **Patent No.:** **US D693,300 S**
(45) **Date of Patent:** **** Nov. 12, 2013**

- (54) **BRUSHLESS MOTOR**
- (71) Applicant: **Nidec Servo Corporation**, Kiryu (JP)
- (72) Inventors: **Shin Fukasawa**, Kiryu (JP); **Thanh Trung Nguyen**, Kiryu (JP); **Miho Arakawa**, Kiryu (JP)
- (73) Assignee: **Nidec Servo Corporation**, Gumma (JP)
- (**) Term: **14 Years**
- (21) Appl. No.: **29/447,986**
- (22) Filed: **Mar. 8, 2013**
- (30) **Foreign Application Priority Data**

Oct. 5, 2012 (JP) D2012-024359

- (51) **LOC (9) Cl.** **13-01**
- (52) **U.S. Cl.**
USPC **D13/112**

- (58) **Field of Classification Search**
USPC D13/112, 113, 114, 120, 122, 199;
D15/3, 5, 199; 74/606 R, 609; 310/10,
310/40 R, 42, 51, 58, 71, 80, 83, 85, 89, 91,
310/109, 236, 239, 254; 318/245, 255
See application file for complete search history.

- (56) **References Cited**
U.S. PATENT DOCUMENTS

D306,009 S * 2/1990 Mintz et al. D13/112
 4,988,905 A * 1/1991 Tolmie, Jr. 310/68 B
 D424,516 S * 5/2000 Friedrichsen D13/112

6,593,674 B2 * 7/2003 Sanchez et al. 310/89
 D578,063 S * 10/2008 Lannoch D13/112
 D597,943 S * 8/2009 Lin et al. D13/112
 D610,987 S * 3/2010 Oohashi et al. D13/112
 7,781,926 B2 * 8/2010 Schmidt et al. 310/77
 D627,721 S * 11/2010 Kuraishi et al. D13/112
 D634,272 S * 3/2011 Veeh D13/112
 2011/0304225 A1 12/2011 Terashita et al.

OTHER PUBLICATIONS

Minebea Motor Manufacturing Corporation, "Hybrid Stepping Motors", <http://www.eminebea.com/>, retrieved Jan. 27, 2011, 1 page.

* cited by examiner

Primary Examiner — Derrick Holland
(74) *Attorney, Agent, or Firm* — Keaing & Bennett, LLP

- (57) **CLAIM**
The ornamental design for a brushless motor, as shown and described.

DESCRIPTION

FIG. 1 is a front elevation view of a brushless motor according to our new design;
 FIG. 2 is a rear elevation view thereof;
 FIG. 3 is a right side elevation view thereof;
 FIG. 4 is a left side elevation view thereof;
 FIG. 5 is a top plan view thereof;
 FIG. 6 is a bottom plan view thereof;
 FIG. 7 is a top perspective view thereof; and,
 FIG. 8 is a bottom perspective view thereof.

1 Claim, 8 Drawing Sheets

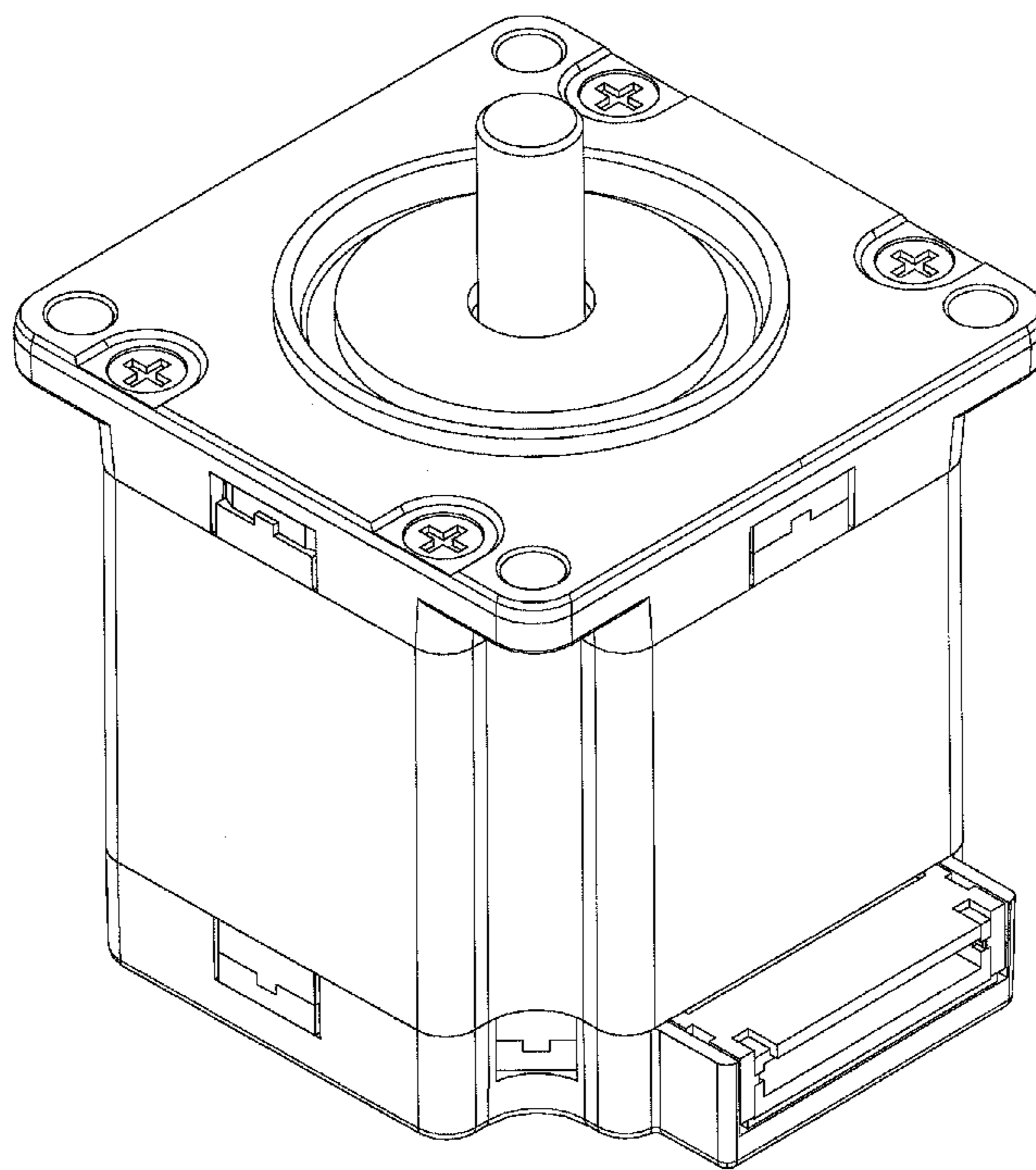


FIG. 1

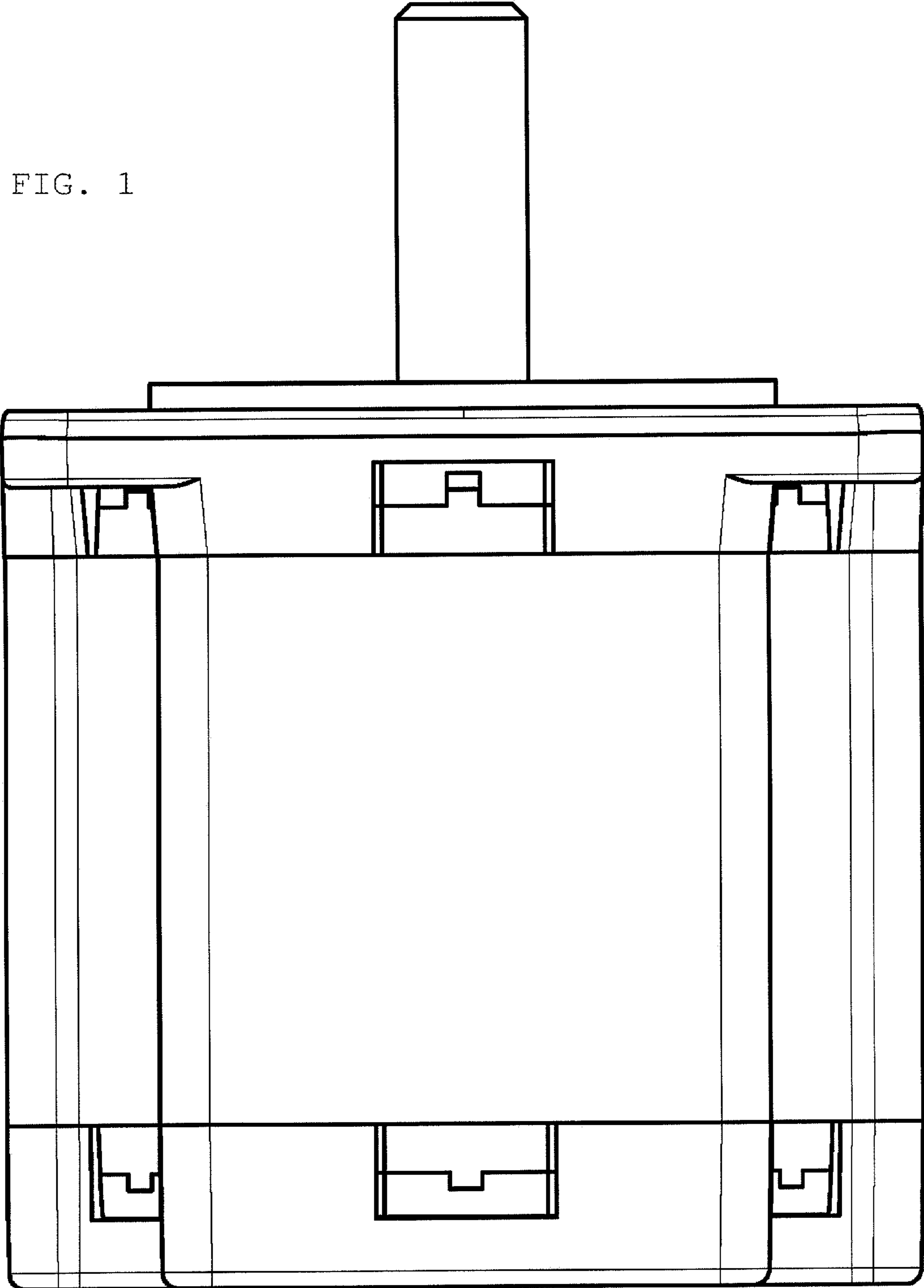


FIG. 2

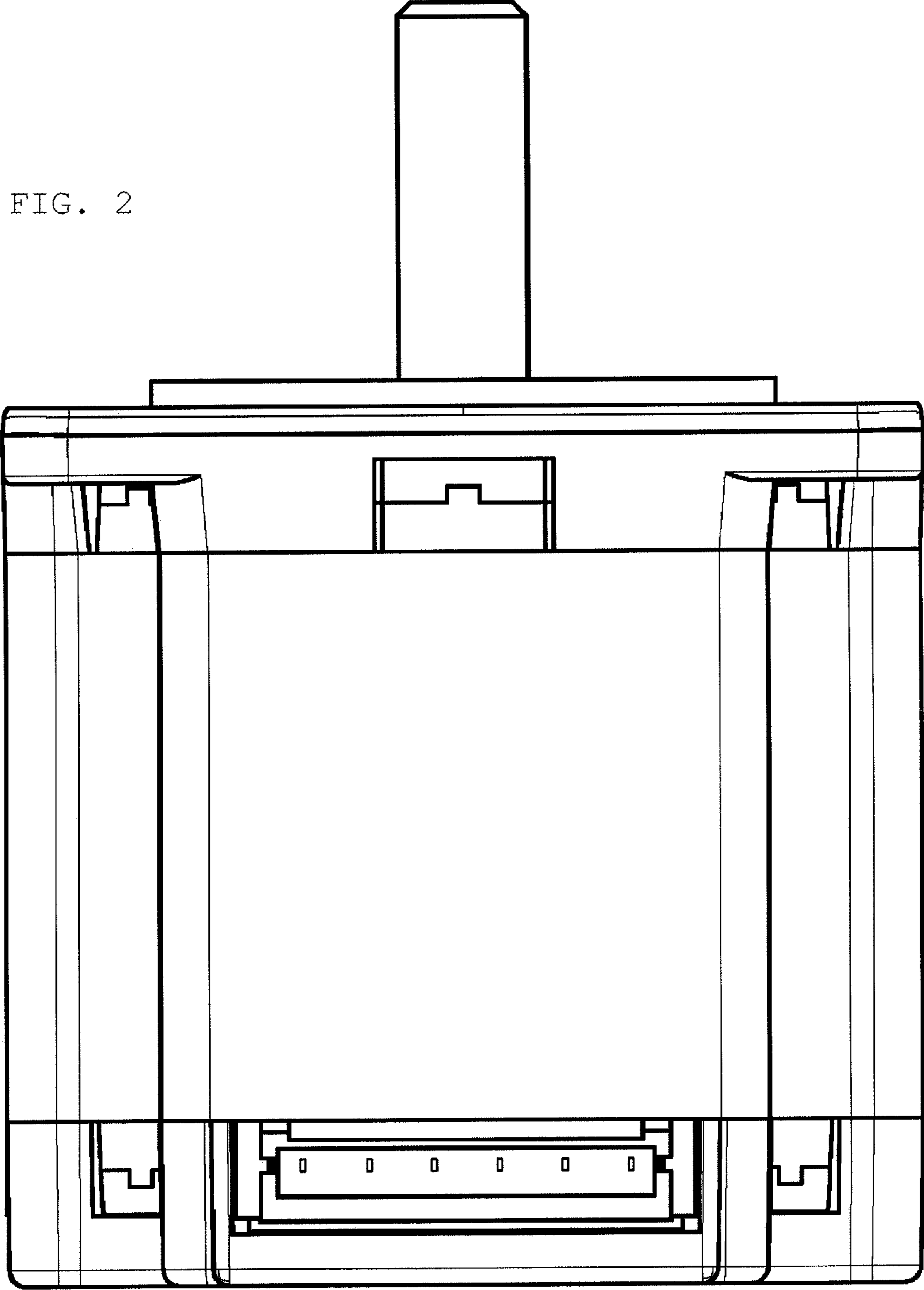


FIG. 3

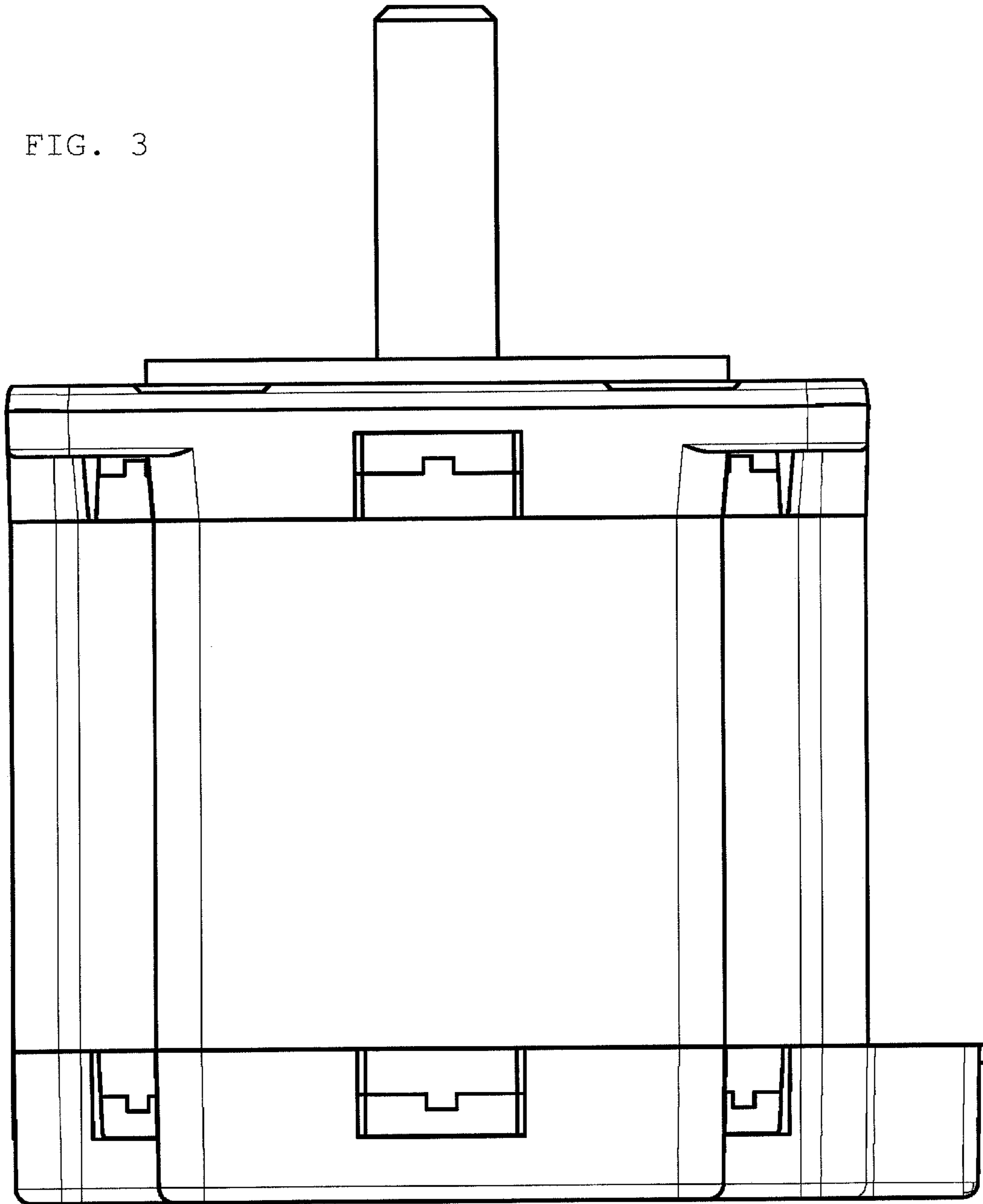


FIG. 4

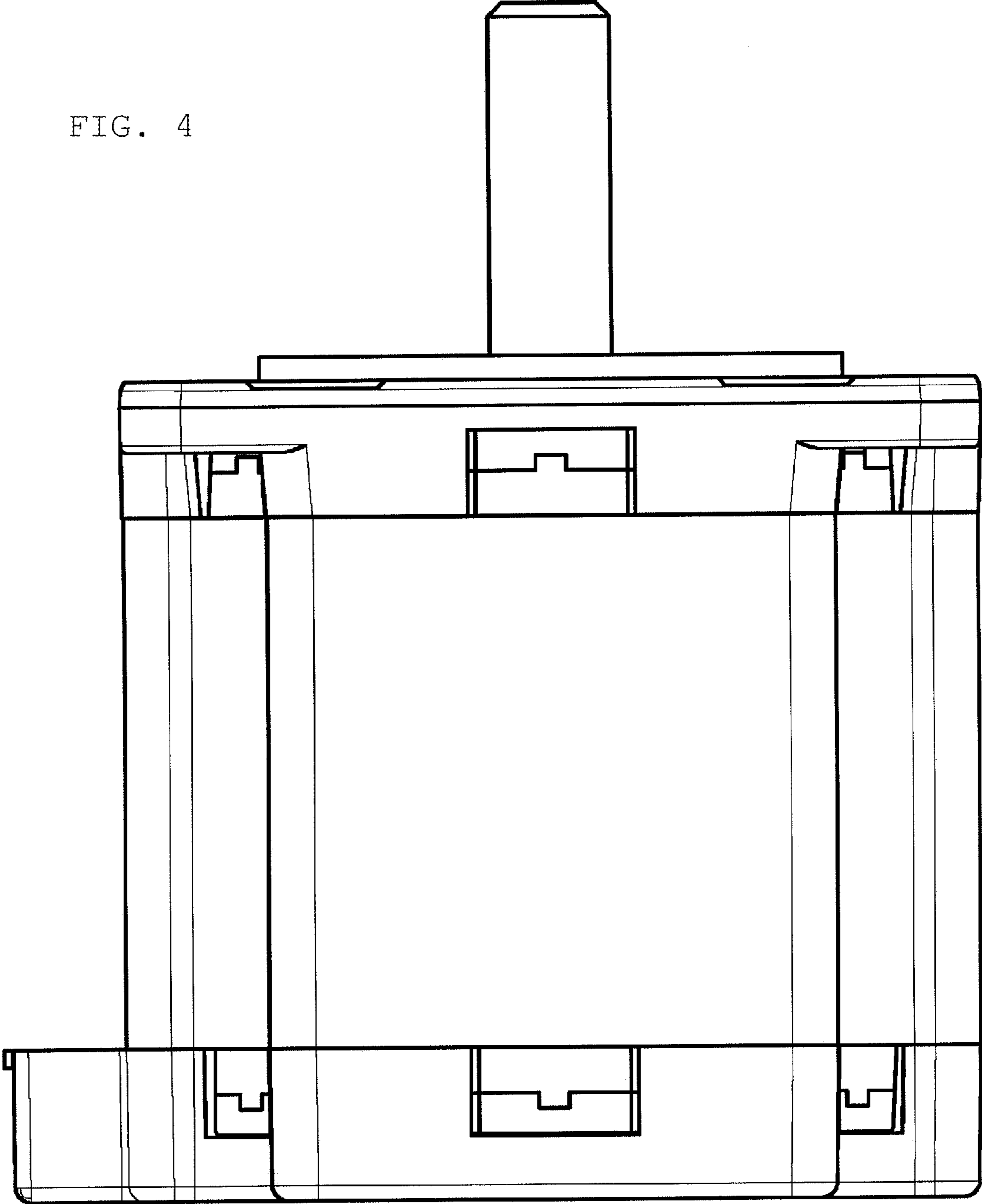


FIG. 5

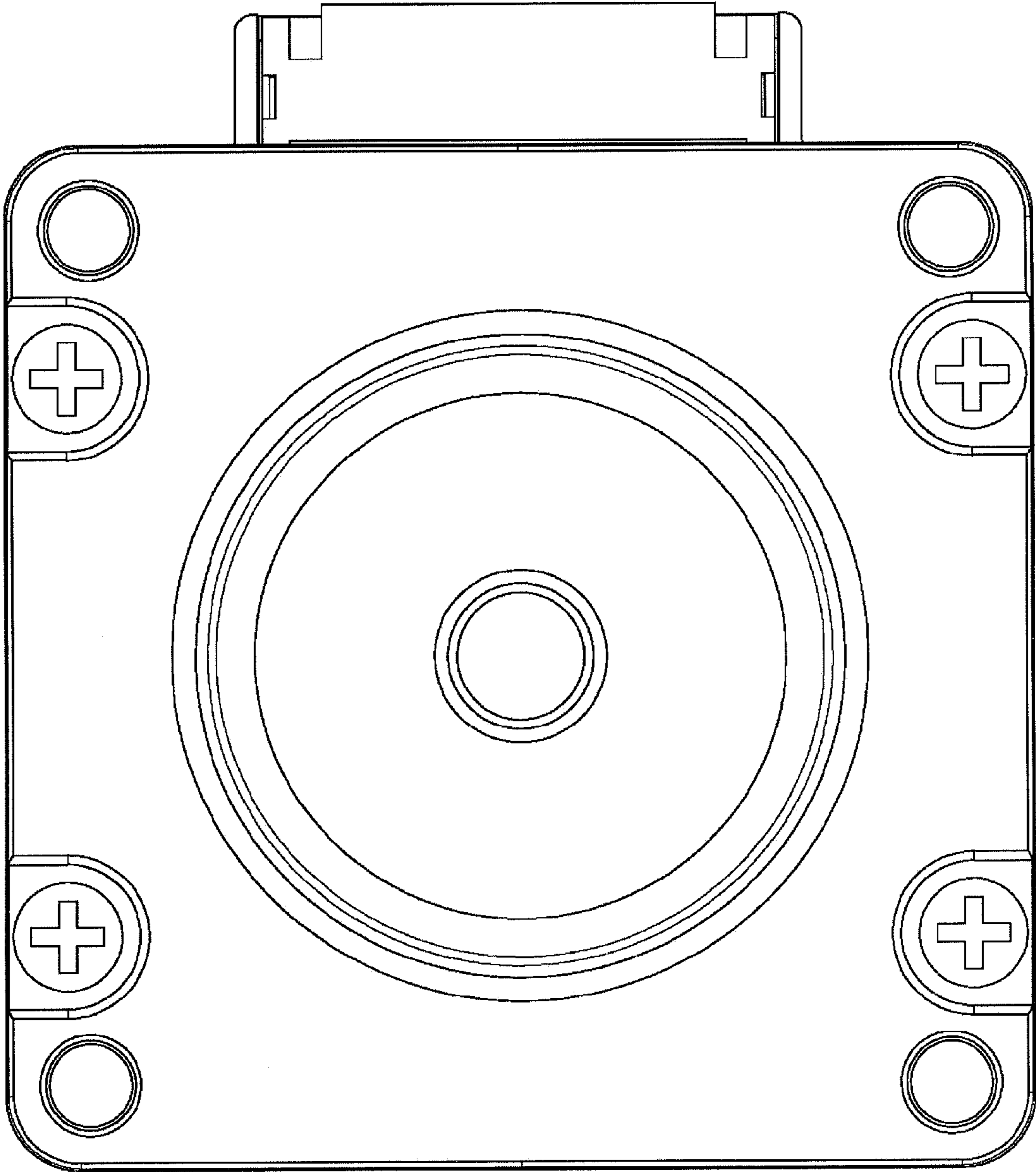


FIG. 6

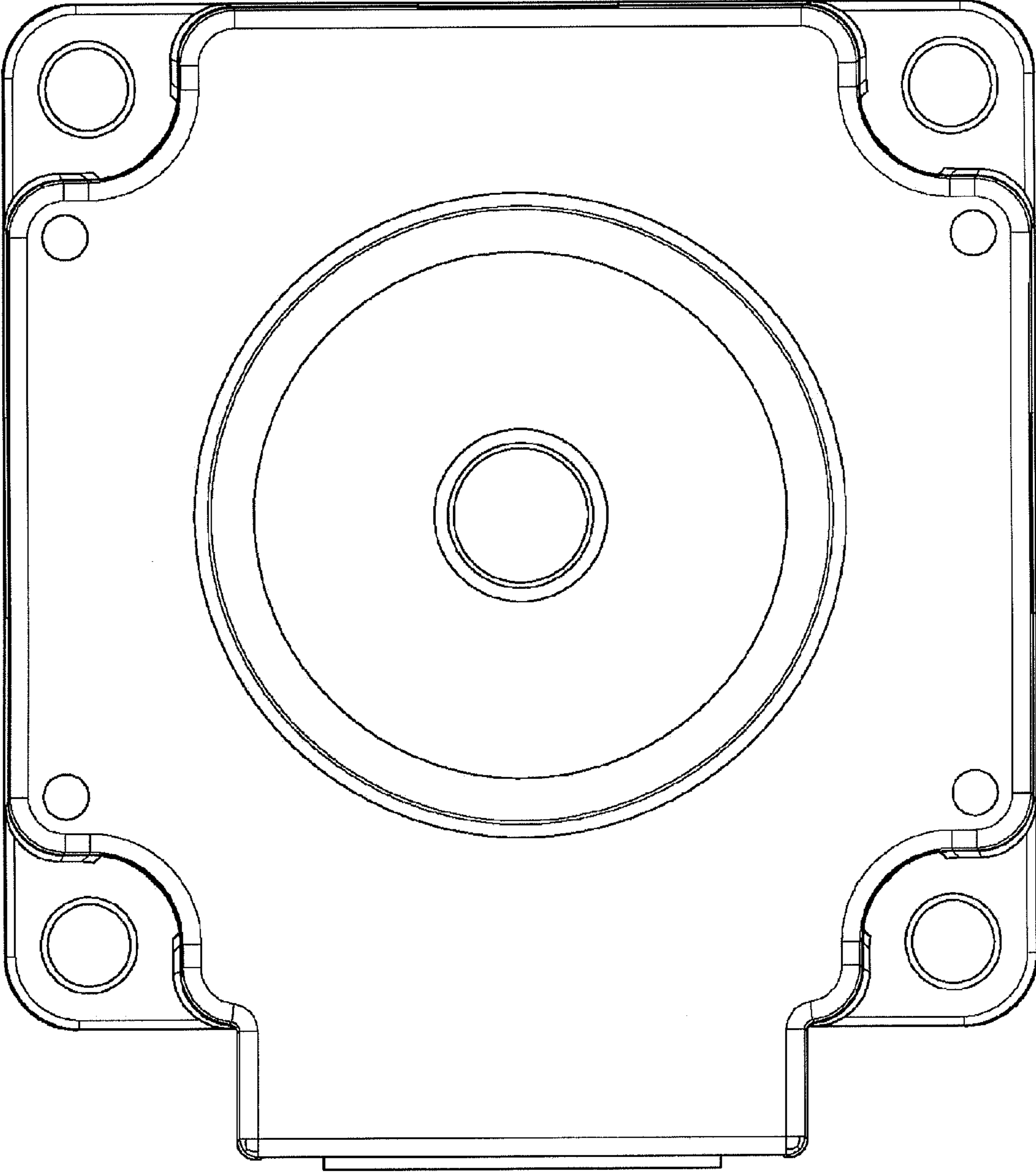


FIG. 7

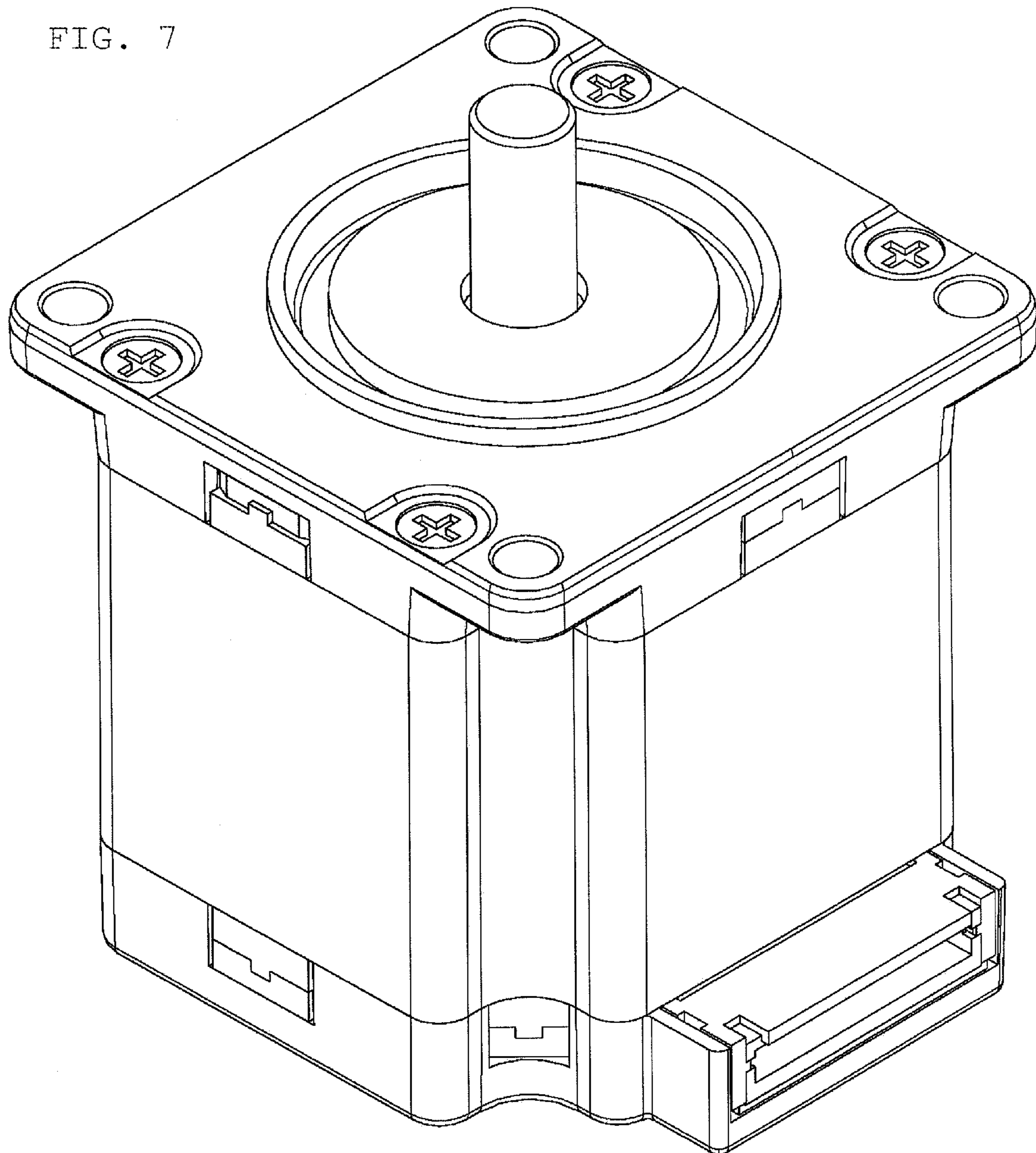


FIG. 8

