



US00D693298S

(12) **United States Design Patent**
Inskeep

(10) **Patent No.:** **US D693,298 S**

(45) **Date of Patent:** **** Nov. 12, 2013**

(54) **INVERTER**

(71) Applicant: **Mathew Inskeep**, Boca Raton, FL (US)

(72) Inventor: **Mathew Inskeep**, Boca Raton, FL (US)

(**) Term: **14 Years**

(21) Appl. No.: **29/450,393**

(22) Filed: **Mar. 18, 2013**

(51) **LOC (9) Cl.** **13-02**

(52) **U.S. Cl.**
USPC **D13/110**

(58) **Field of Classification Search**
USPC D13/110, 108, 118, 123, 162, 168, 169,
D13/174, 177, 184, 199; D10/103;
D14/257, 432, 438; 16/404; 334/7, 10;
337/186; 361/600, 601, 692, 730;
363/141, 142

See application file for complete search history.

(56) **References Cited**

U.S. PATENT DOCUMENTS

5,666,268	A *	9/1997	Rix et al.	361/692
D401,216	S *	11/1998	Person et al.	D13/110
D413,567	S *	9/1999	Person et al.	D13/110
5,949,640	A *	9/1999	Cameron et al.	361/600
D505,915	S *	6/2005	Hussaini et al.	D13/110
D595,647	S *	7/2009	Shum et al.	D13/110

D604,239	S *	11/2009	Engel et al.	D13/110
D616,815	S *	6/2010	Jadraque Aznarez et al.	D13/110
D627,719	S *	11/2010	DuMelle et al.	D13/110
D644,603	S *	9/2011	Liu	D13/102
D654,021	S *	2/2012	Sweeney et al.	D13/110

* cited by examiner

Primary Examiner — Derrick Holland

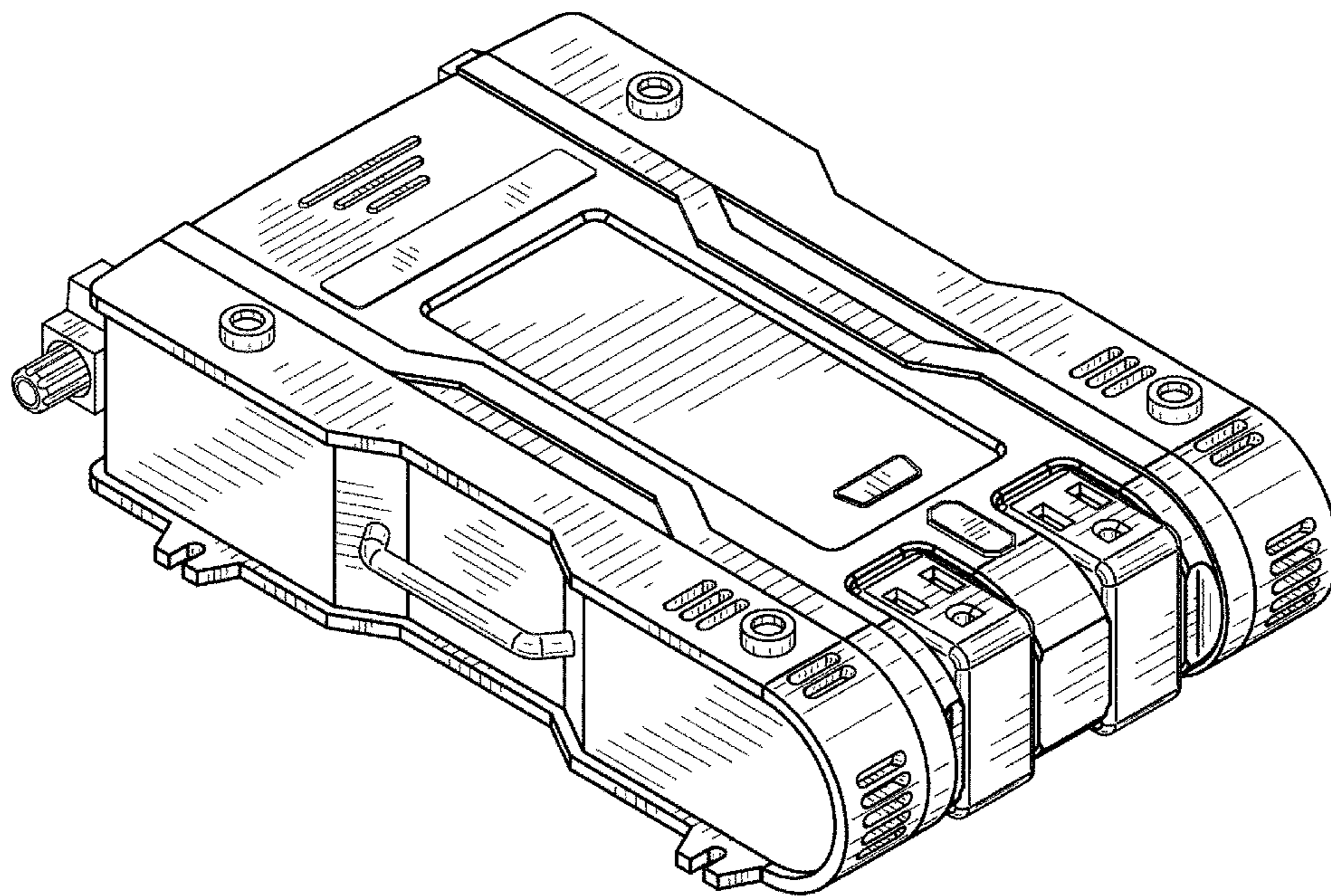
(57) **CLAIM**

The ornamental design for an inverter, as shown and described.

DESCRIPTION

FIG. 1 is a top perspective view of the inverter showing my new design.
 FIG. 2 is a bottom perspective view.
 FIG. 3 is a top view thereof.
 FIG. 4 is a bottom view thereof.
 FIG. 5 is a front view thereof.
 FIG. 6 is a back view thereof.
 FIG. 7 is a left side view thereof.
 FIG. 8 is a right side view thereof.
 FIG. 9 is a top perspective view with the plugs facing outward; and,
 FIG. 10 is a bottom perspective view with the hook unhinged and plugs facing outward.

1 Claim, 8 Drawing Sheets



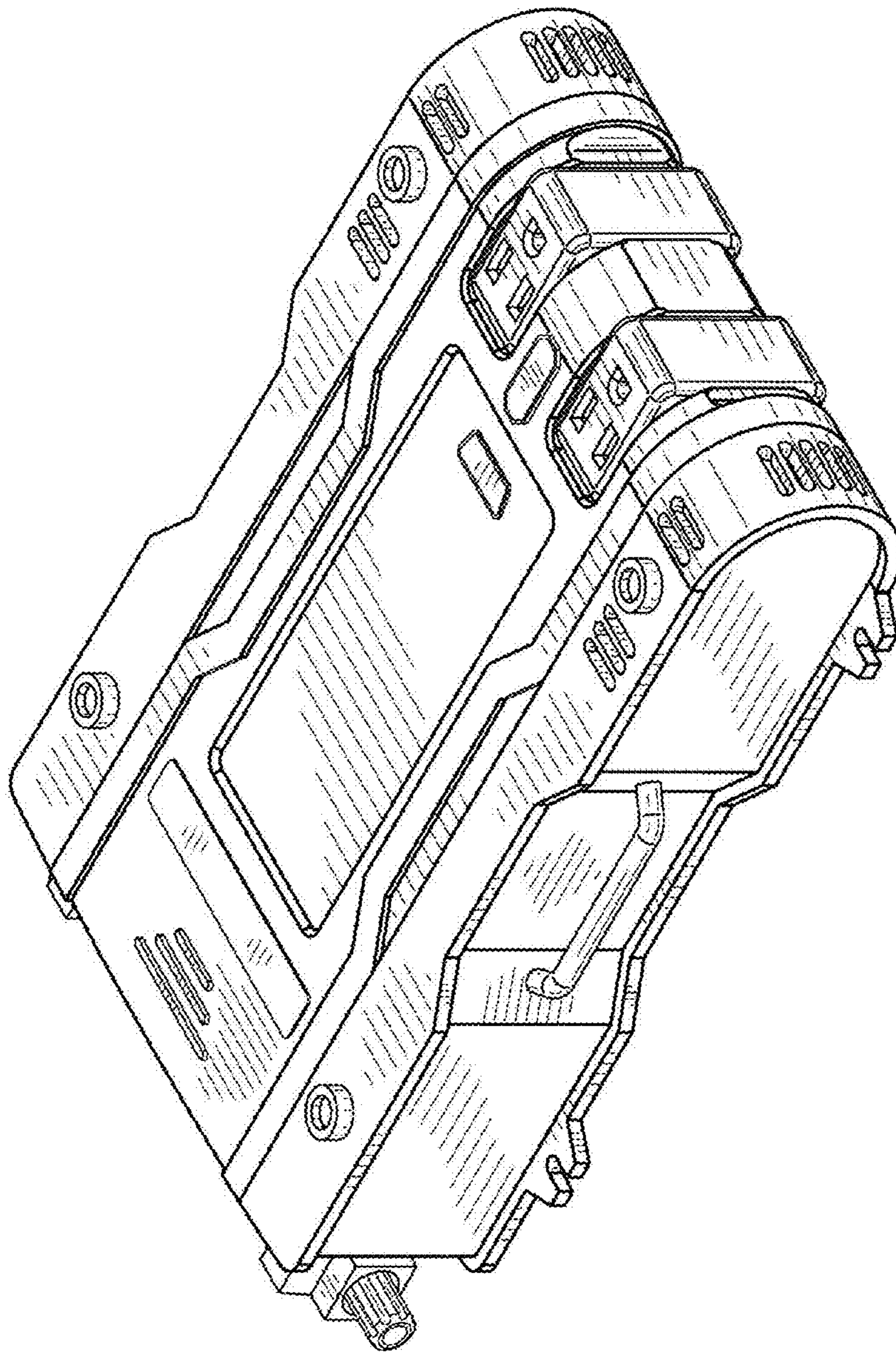


FIG. 1

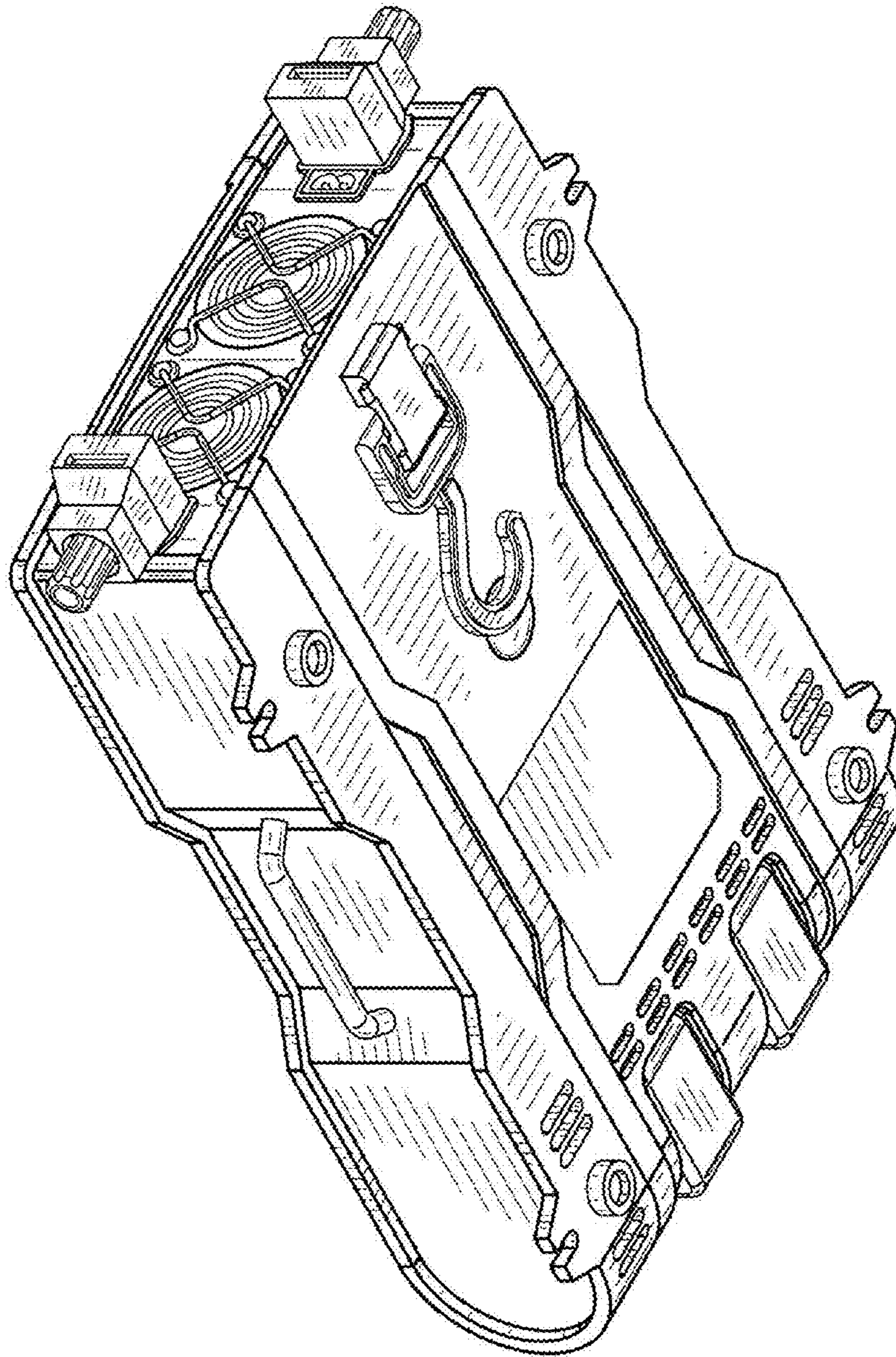


FIG. 2

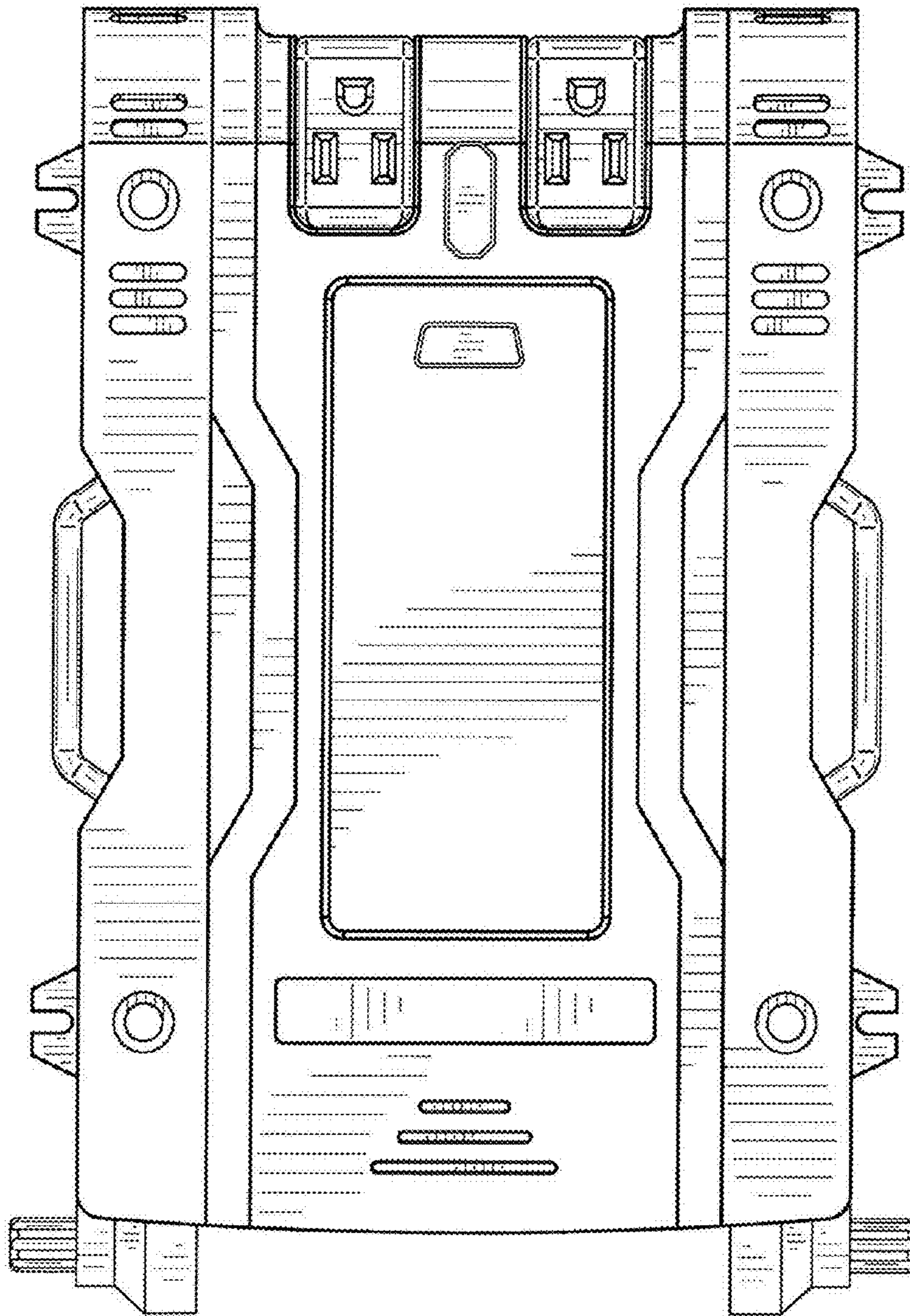


FIG. 3

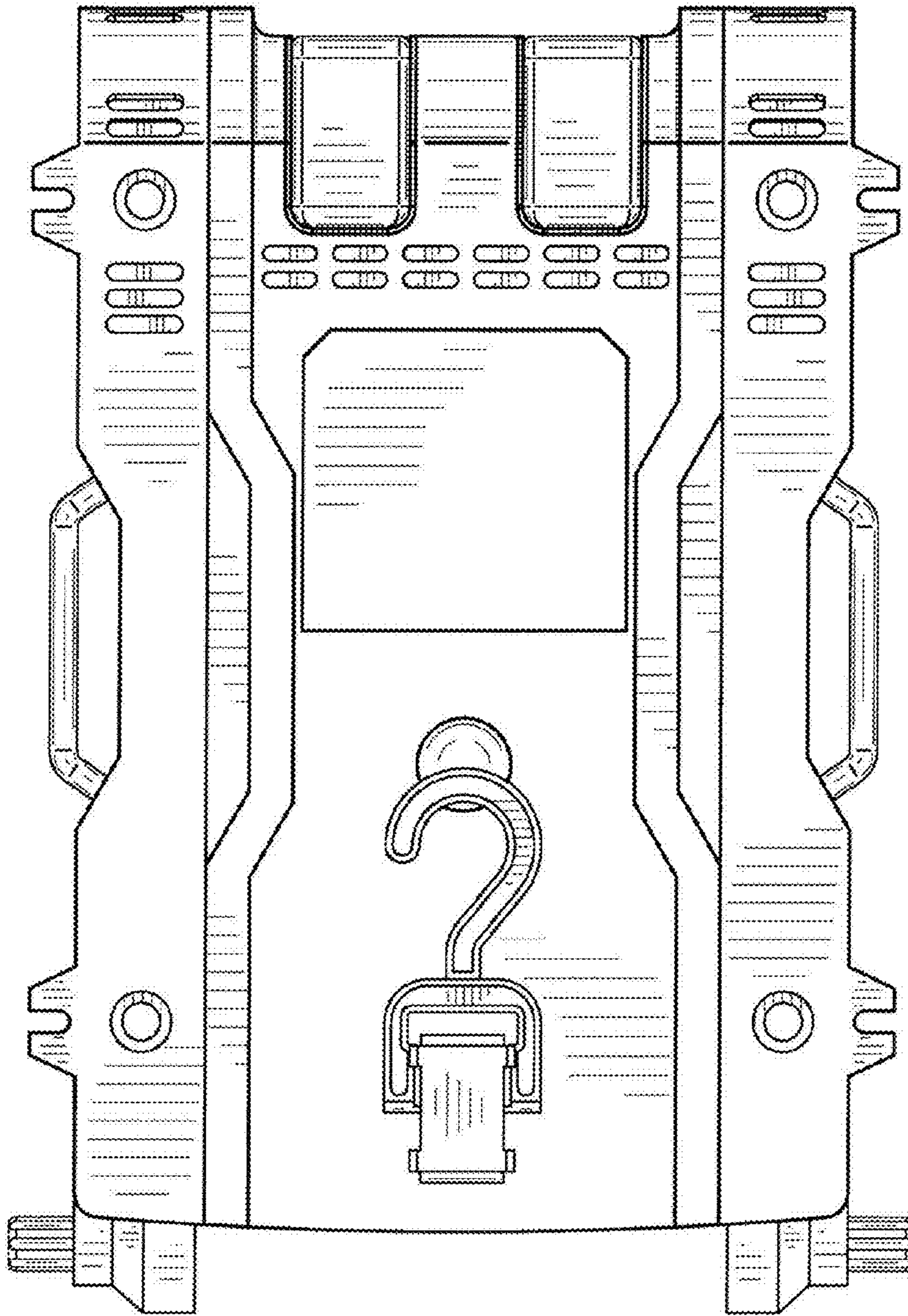


FIG. 4

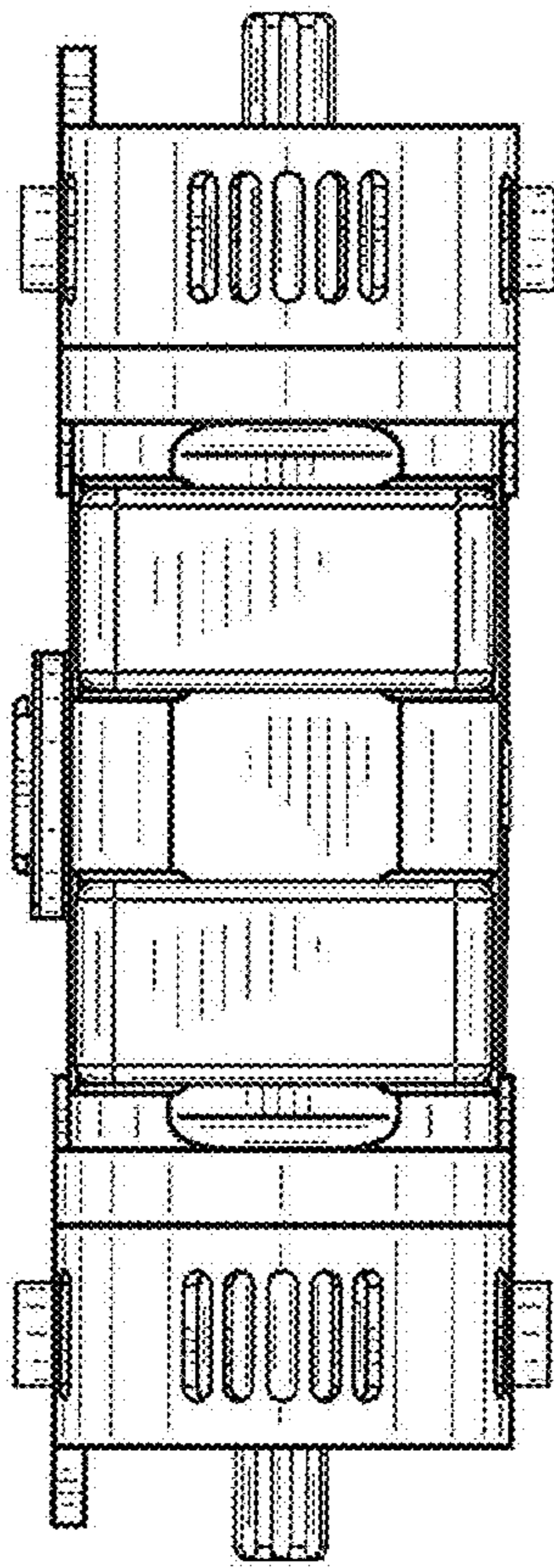


FIG. 5

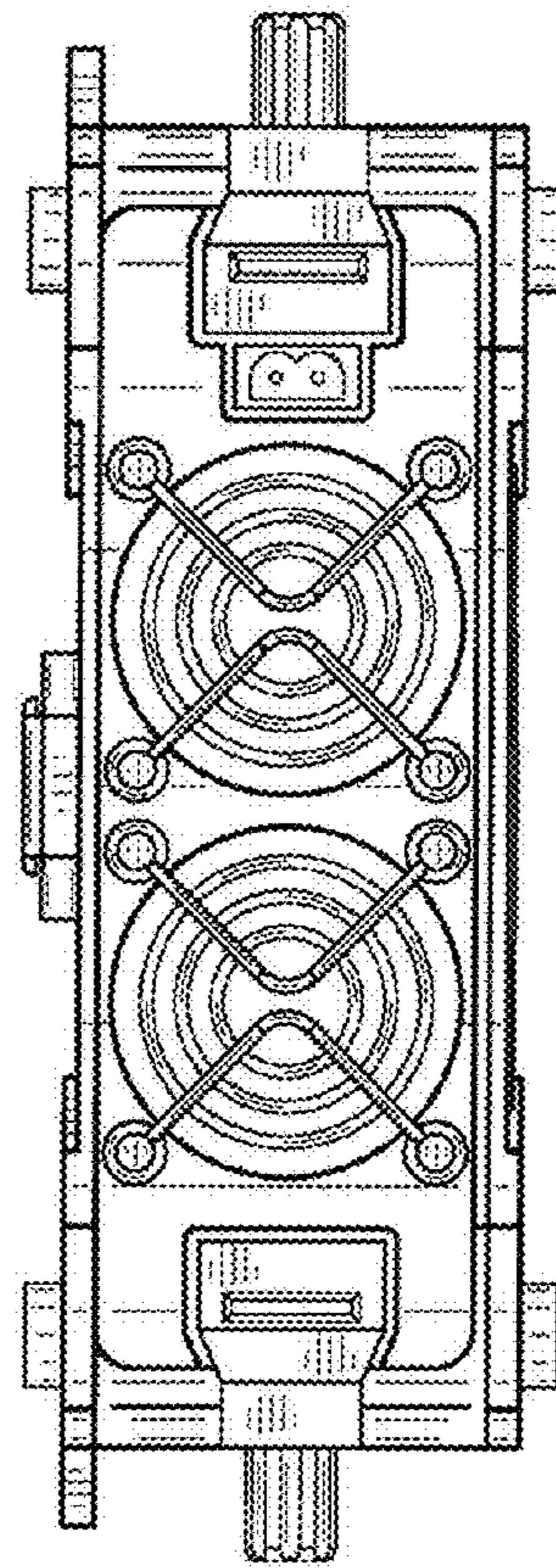


FIG. 6

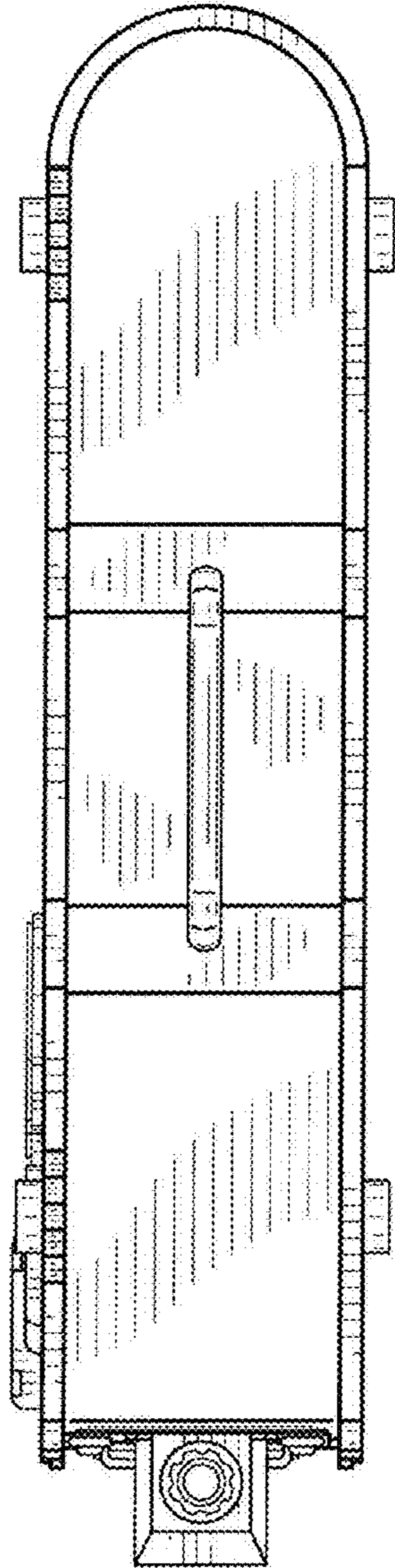


FIG. 7

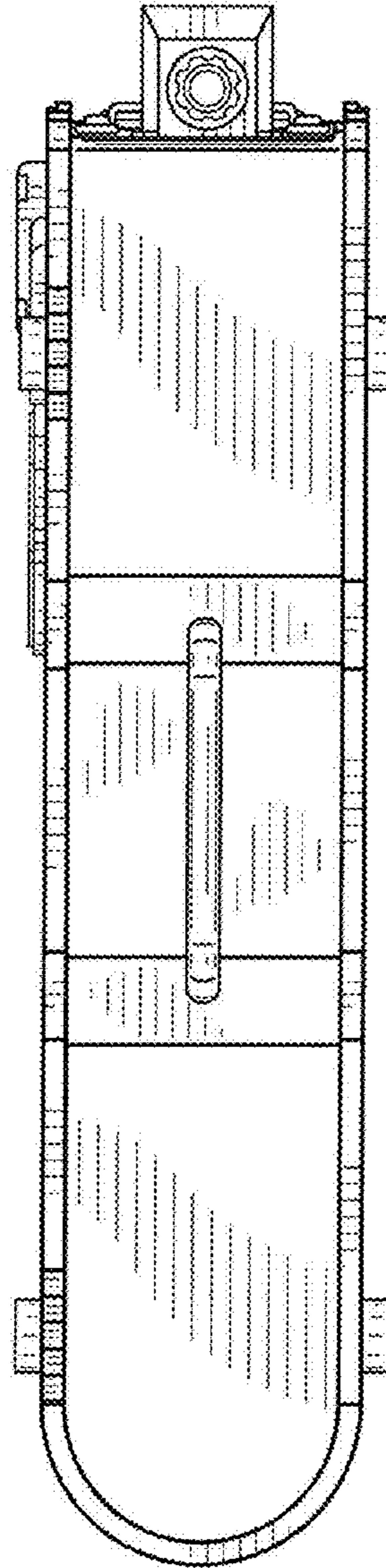


FIG. 8

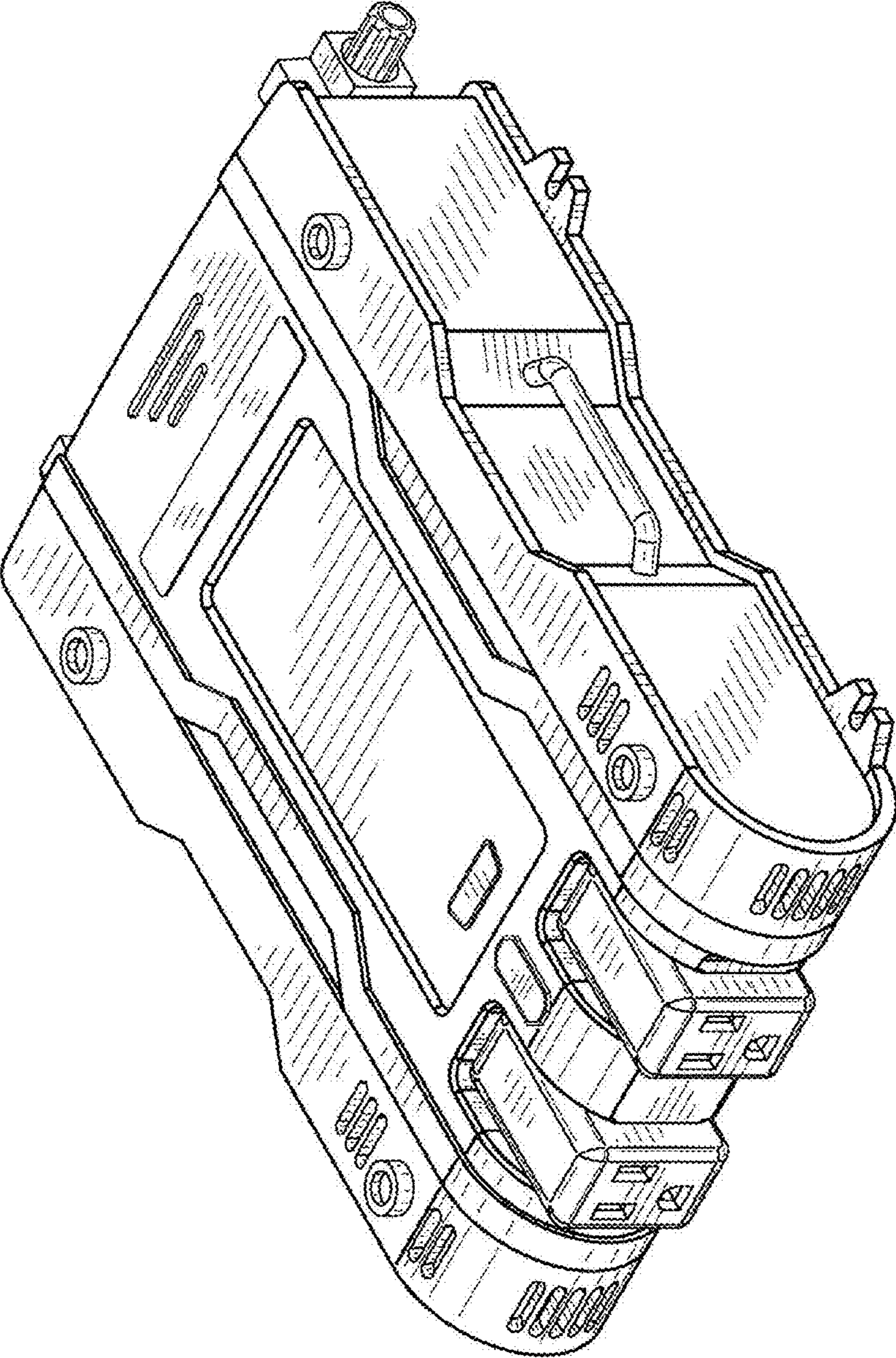


FIG. 9

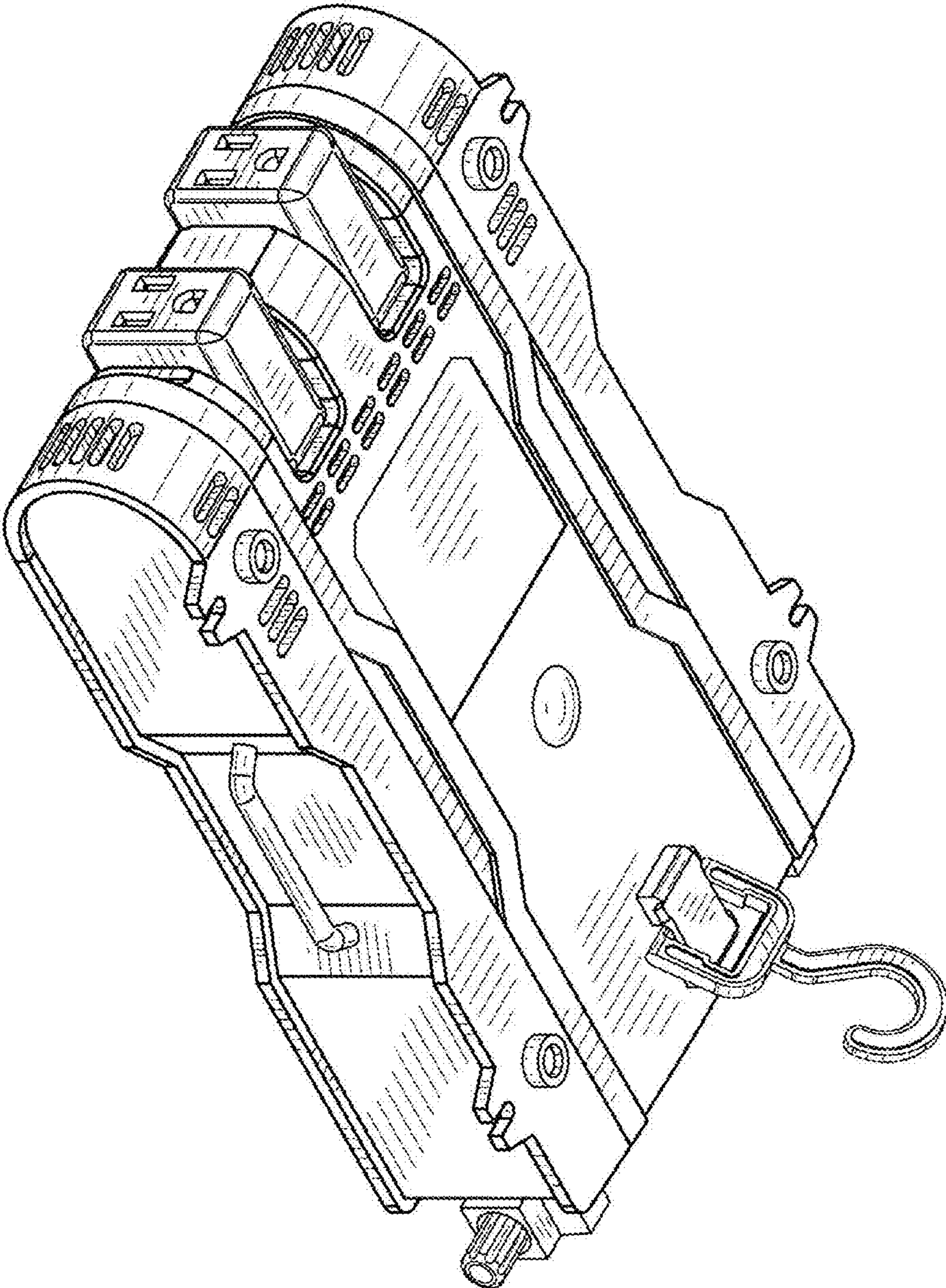


FIG. 10