

US00D693296S

(12) **United States Design Patent**  
**Lin et al.**

(10) **Patent No.:** **US D693,296 S**  
(45) **Date of Patent:** **\*\* Nov. 12, 2013**

(54) **REVERSE V-SHAPED WIRELESS CHARGER**

(71) Applicant: **Lite-On IT Corporation**, Taipei (TW)

(72) Inventors: **Chih-Chieh Lin**, Hsinchu (TW); **Wei Min Tsao**, Hsinchu (TW)

(73) Assignee: **Lite-On IT Corporation**, Taipei (TW)

(\*\*) Term: **14 Years**

(21) Appl. No.: **29/439,052**

(22) Filed: **Dec. 6, 2012**

(51) **LOC (9) Cl.** ..... **13-02**

(52) **U.S. Cl.**  
USPC ..... **D13/108**

(58) **Field of Classification Search**  
USPC ..... D13/107-110, 118-119, 184, 199;  
D14/217, 251, 253, 432, 434;  
320/107-115

See application file for complete search history.

(56) **References Cited**

**U.S. PATENT DOCUMENTS**

D489,322 S \* 5/2004 Sawai et al. .... D13/108  
6,840,791 B2 \* 1/2005 Hsiu ..... 439/374  
D605,112 S \* 12/2009 Chang ..... D13/107

D606,545 S \* 12/2009 Salmon ..... D14/434  
D607,817 S \* 1/2010 Tan ..... D13/108  
D637,952 S \* 5/2011 Tan ..... D13/108  
D662,082 S \* 6/2012 McManigal ..... D14/217  
D665,341 S \* 8/2012 Chu et al. .... D13/103  
D674,337 S \* 1/2013 Au Yeung ..... D13/108  
D680,068 S \* 4/2013 Lee ..... D13/108  
2009/0051319 A1 \* 2/2009 Fang et al. .... 320/115

\* cited by examiner

*Primary Examiner* — Rosemary K Tarcza

(74) *Attorney, Agent, or Firm* — McClure, Qualey & Rodack, LLP

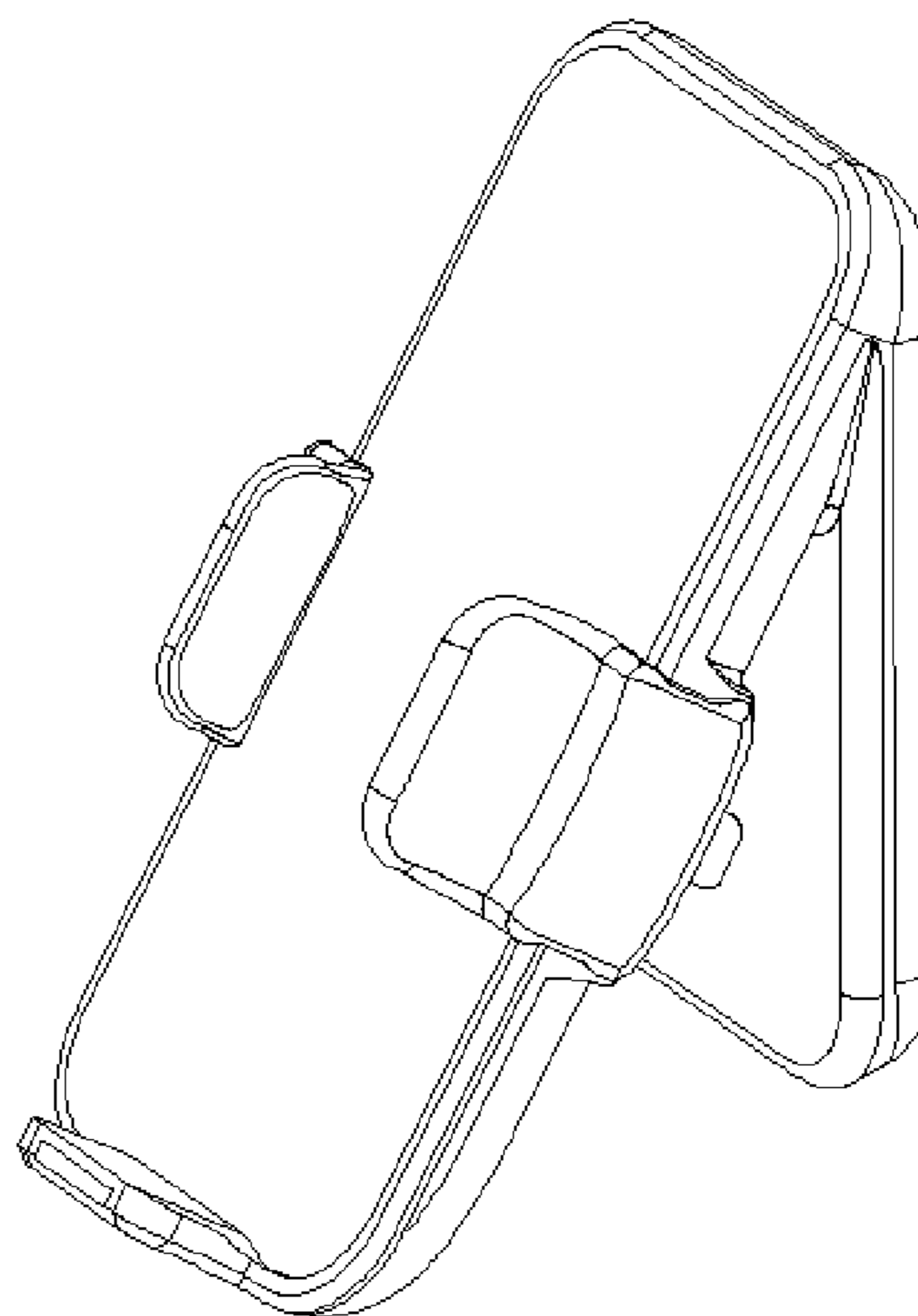
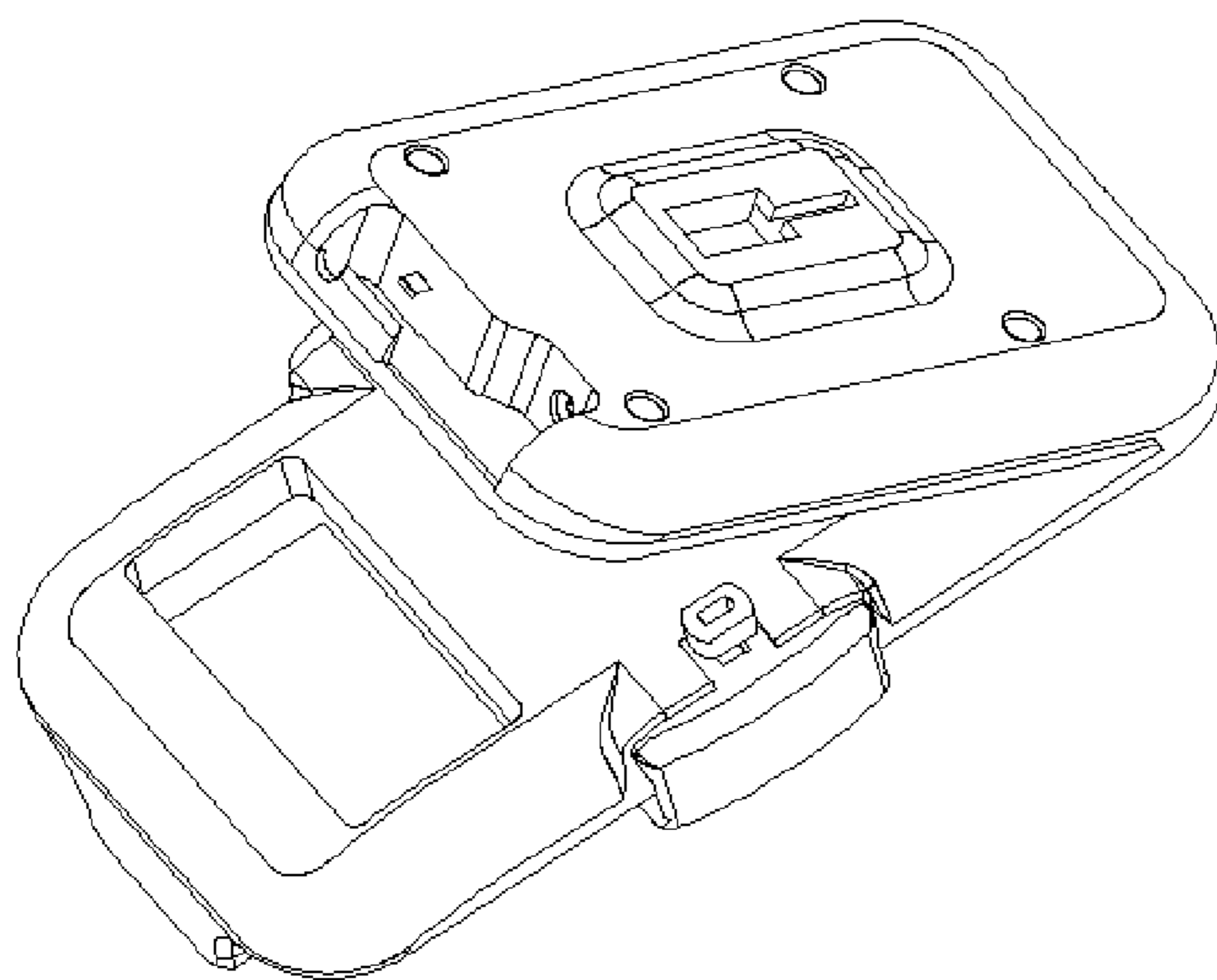
(57) **CLAIM**

The ornamental design for a reverse V-shaped wireless charger, as shown and described.

**DESCRIPTION**

FIG. 1 is a perspective view of a reverse V-shaped wireless charger, showing our new design;  
FIG. 2 is a perspective view thereof from bottom side;  
FIG. 3 is a rear view thereof;  
FIG. 4 is a left view thereof;  
FIG. 5 is a right view thereof;  
FIG. 6 is a top plan view thereof; and,  
FIG. 7 is a bottom plan view thereof.

**1 Claim, 7 Drawing Sheets**



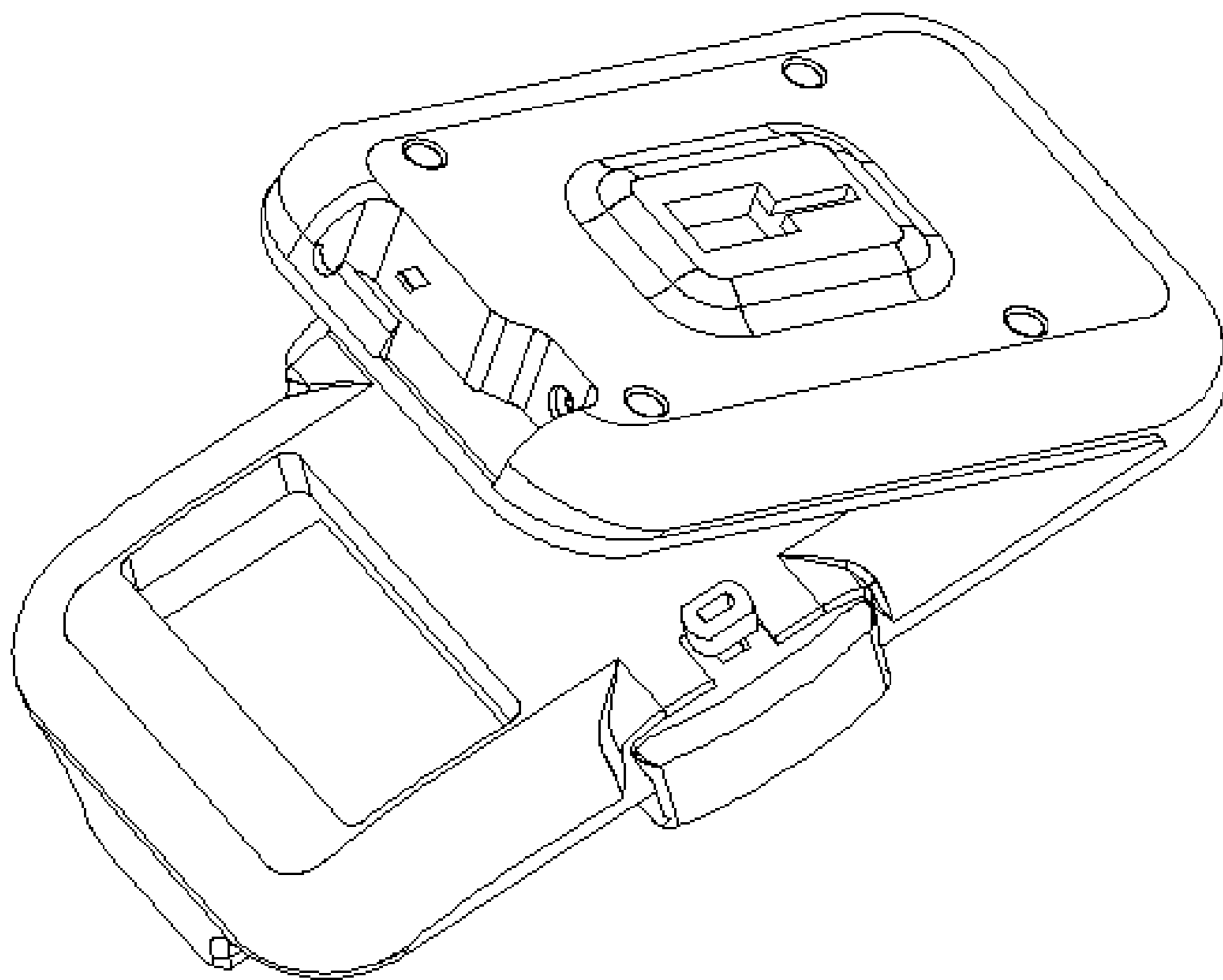


FIG. 1

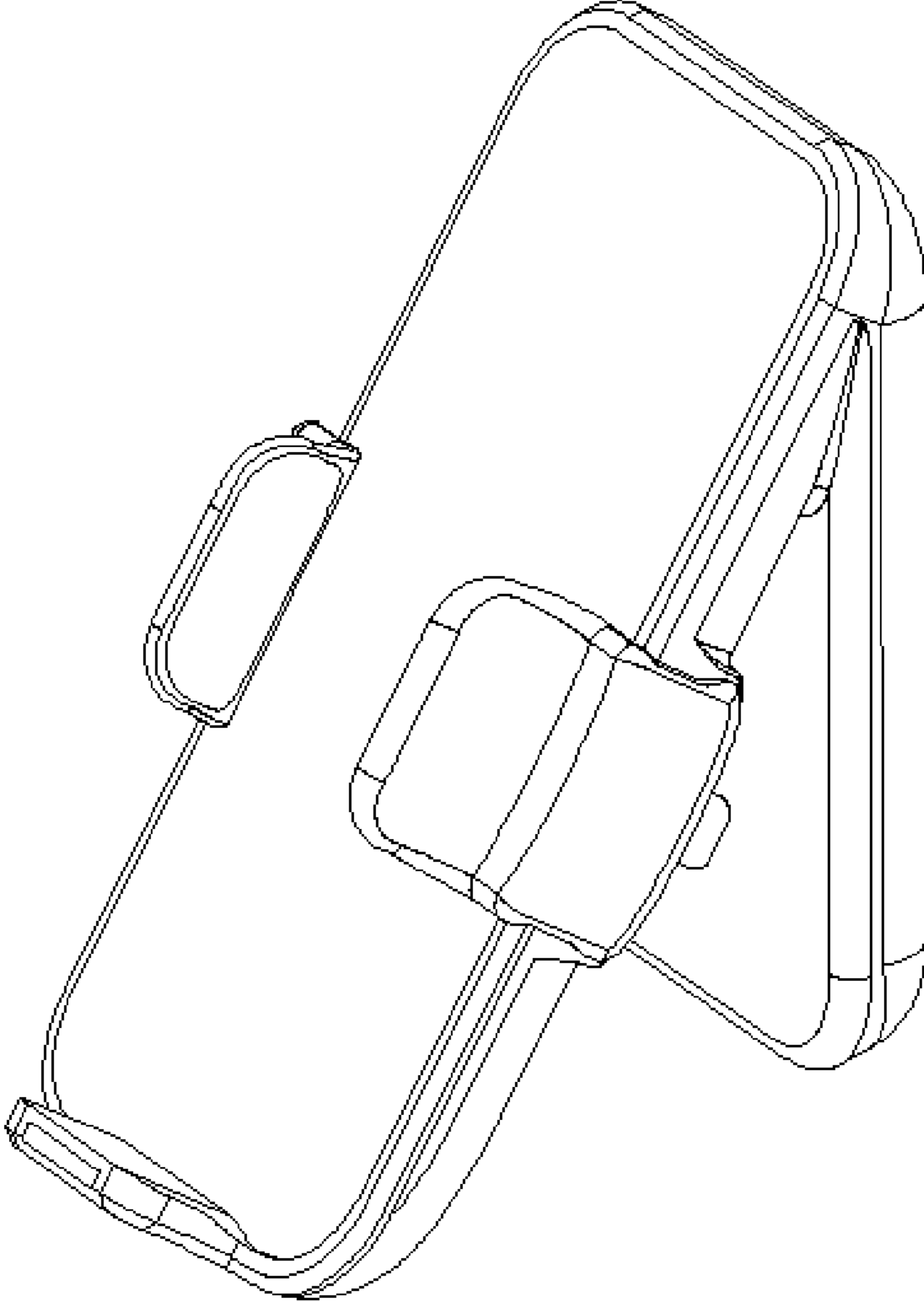


FIG. 2

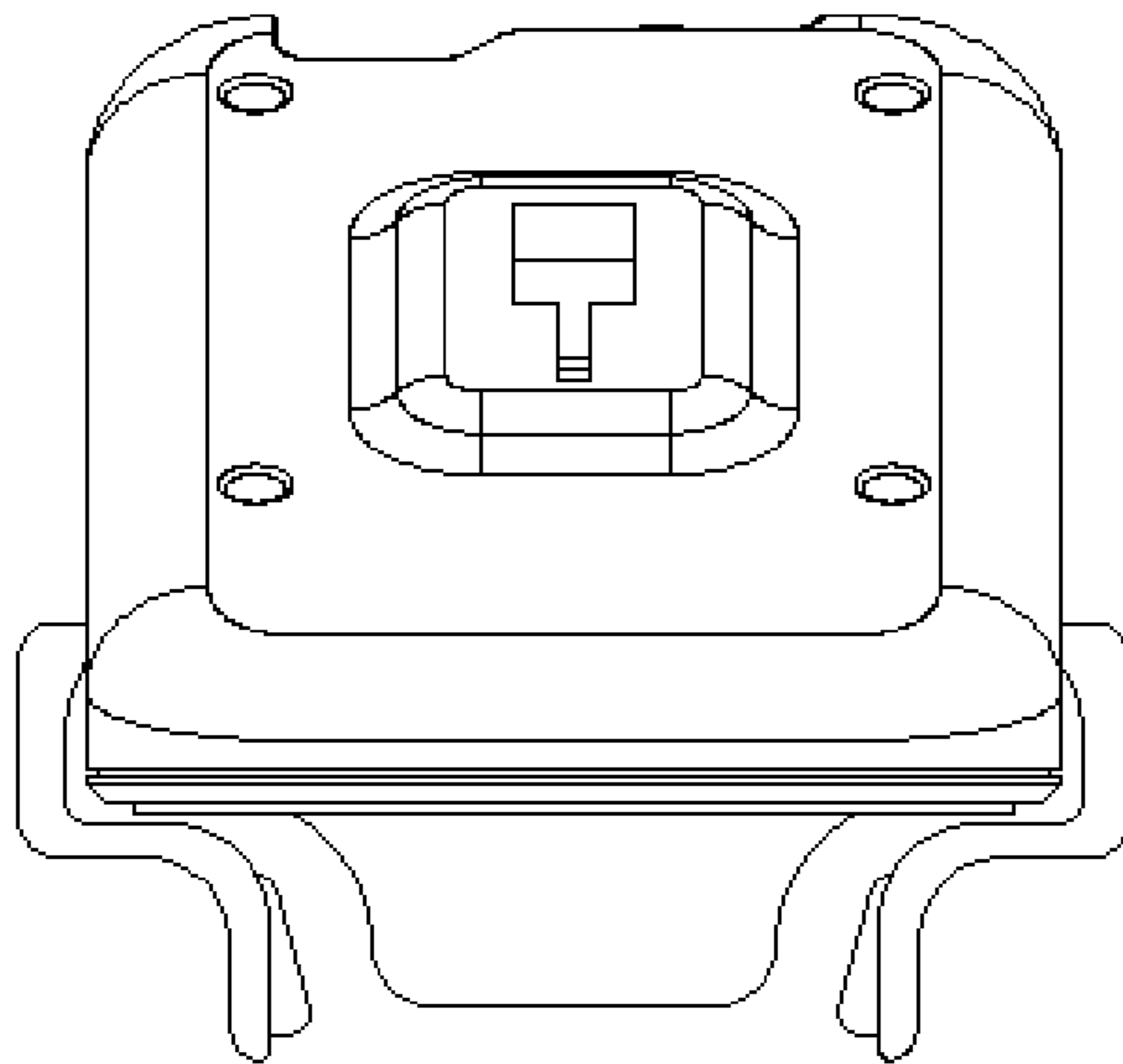


FIG. 3

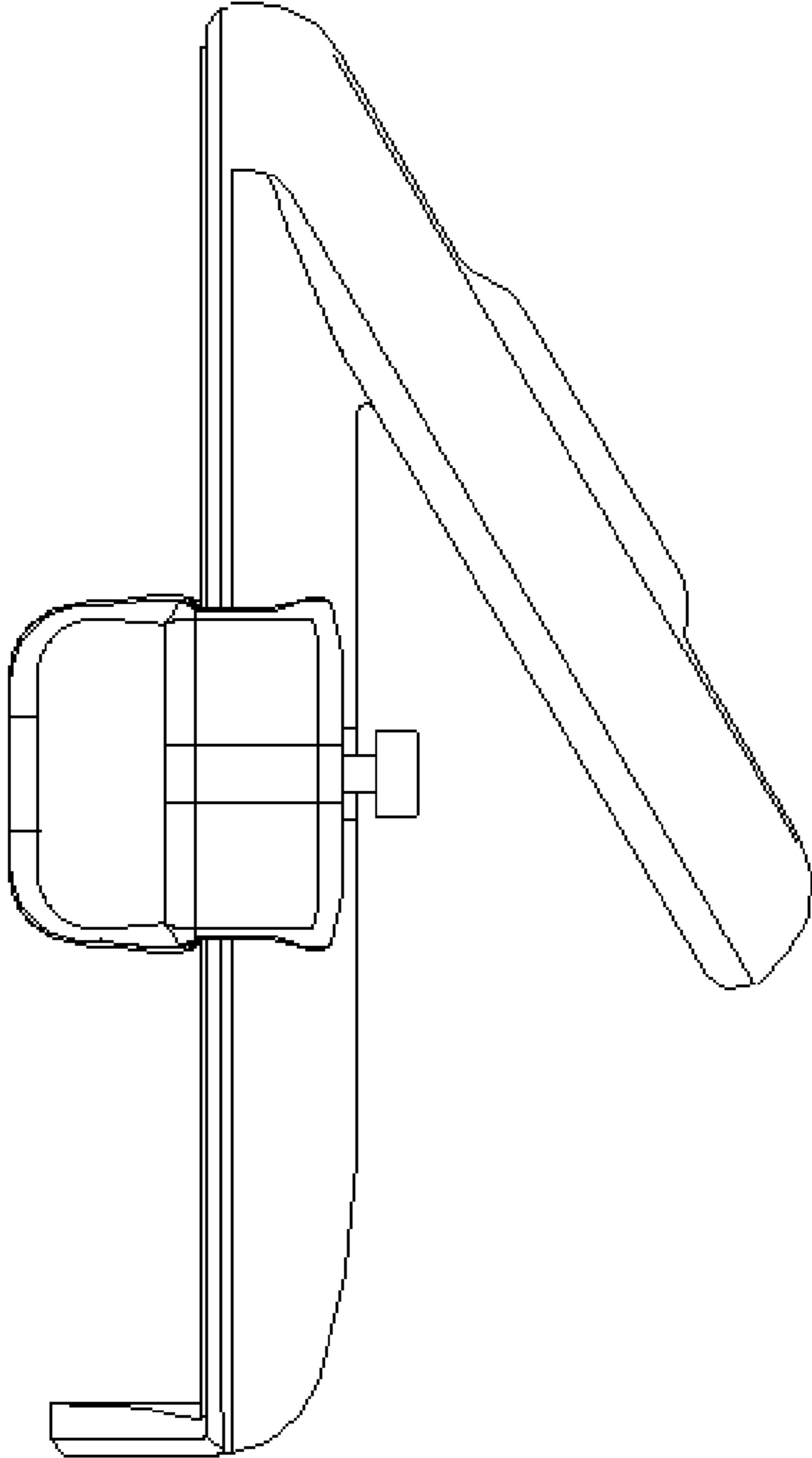


FIG. 4

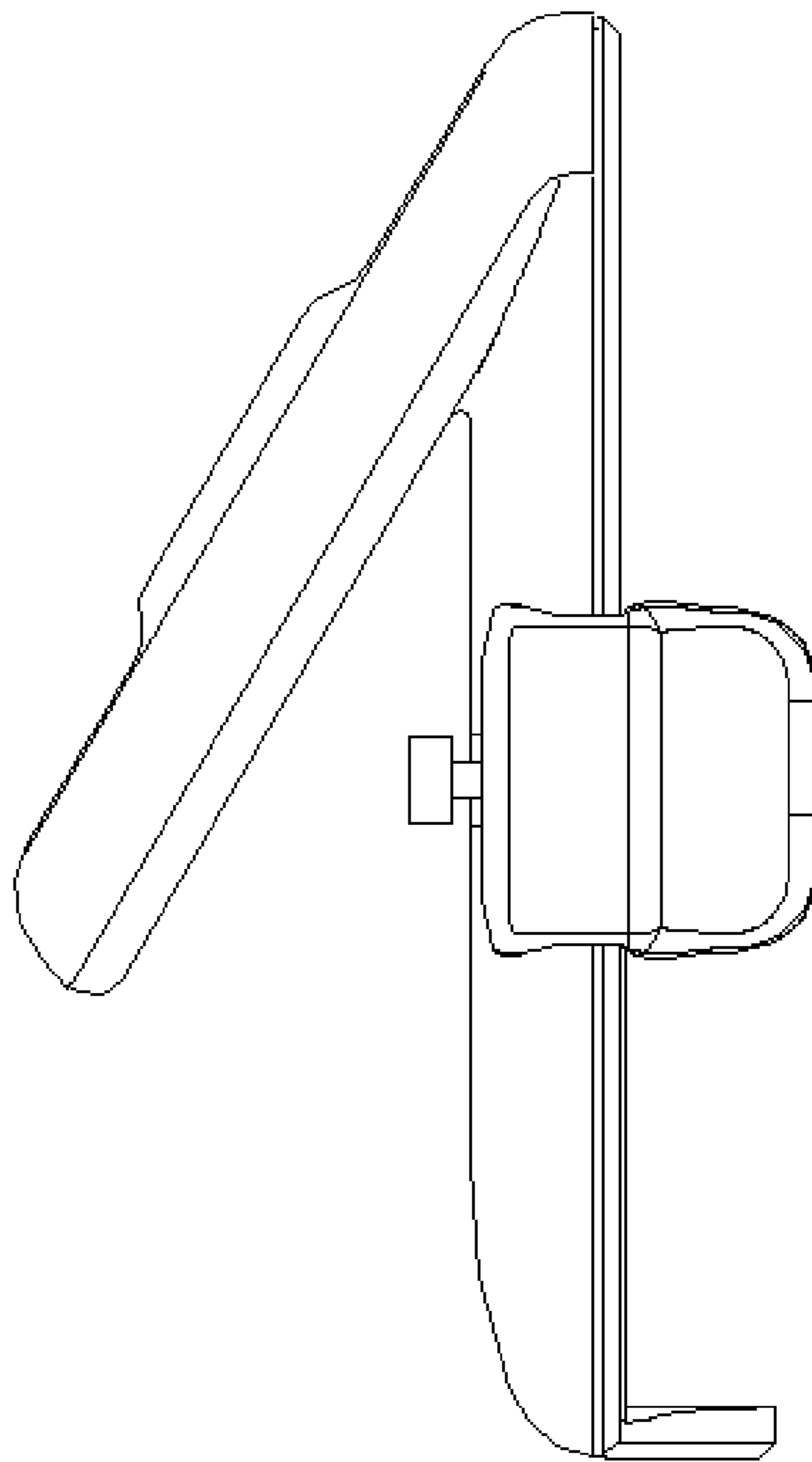


FIG. 5

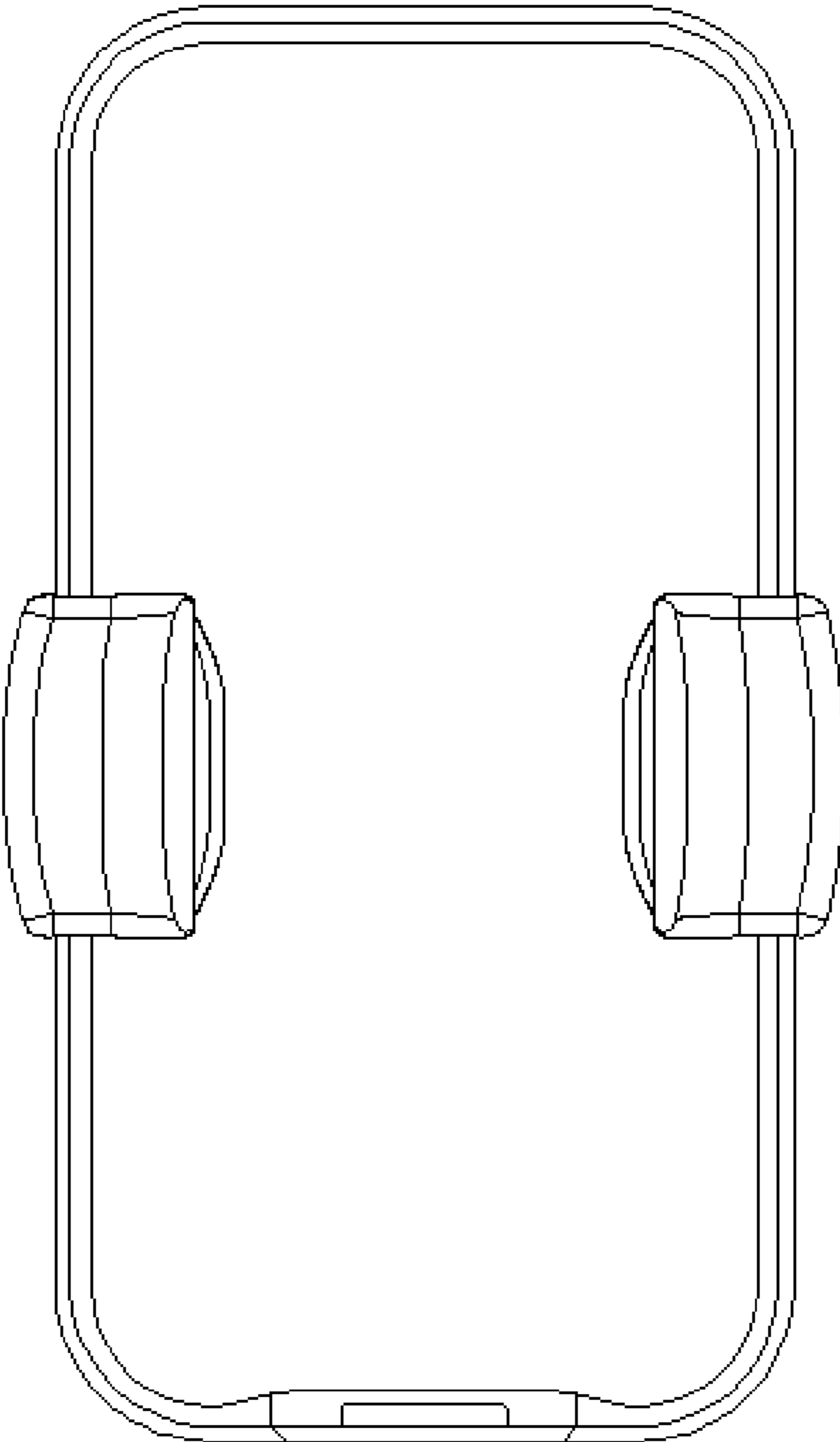


FIG. 6

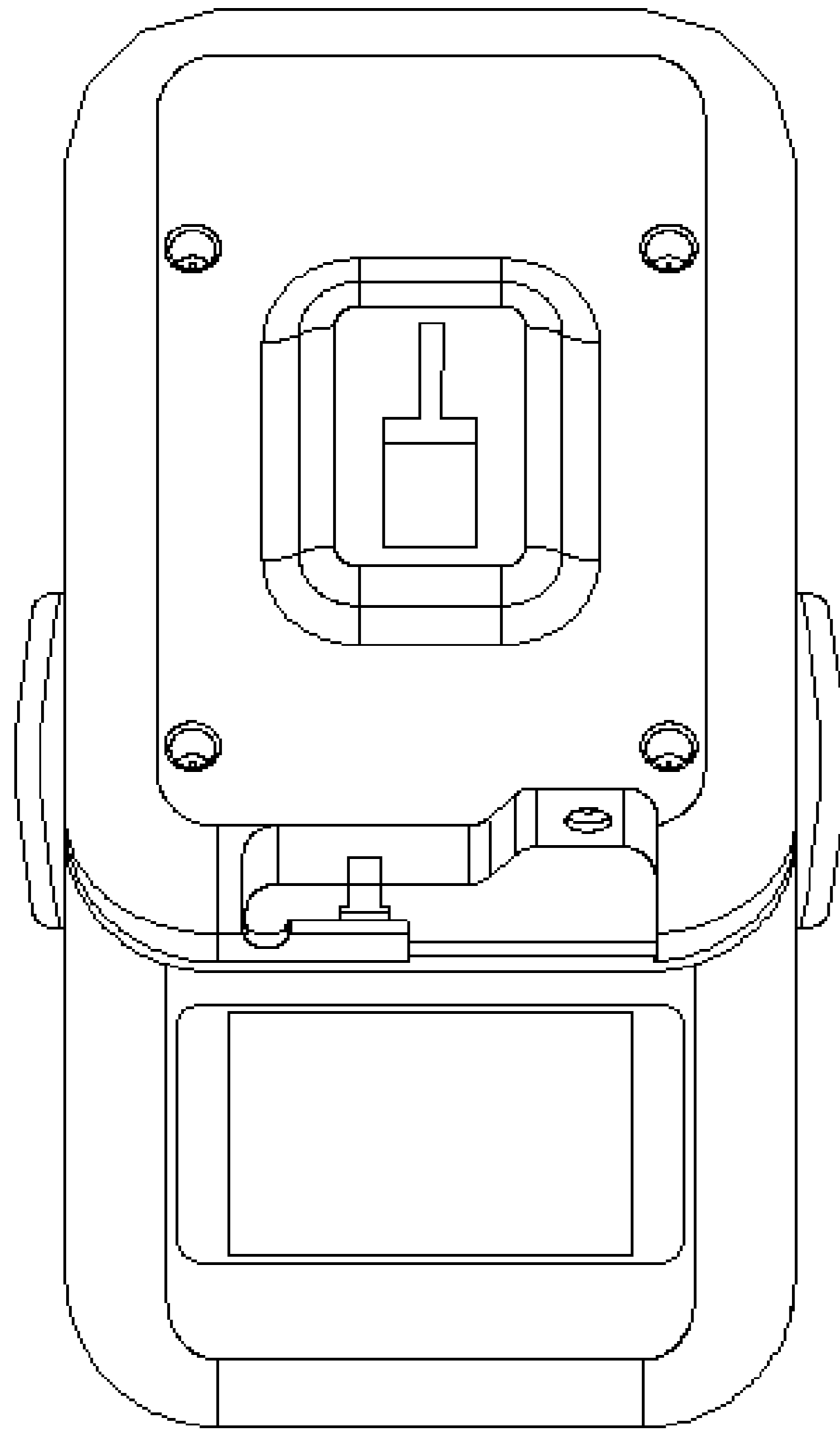


FIG. 7