



US00D693294S

(12) **United States Design Patent**
Inskeep

(10) **Patent No.:** **US D693,294 S**

(45) **Date of Patent:** **** Nov. 12, 2013**

(54) **JUMP STARTER**

(71) Applicant: **Mathew Inskeep**, Boca Raton, FL (US)

(72) Inventor: **Mathew Inskeep**, Boca Raton, FL (US)

(**) Term: **14 Years**

(21) Appl. No.: **29/434,119**

(22) Filed: **Oct. 10, 2012**

(51) **LOC (9) Cl.** **13-02**

(52) **U.S. Cl.**
USPC **D13/107**

(58) **Field of Classification Search**
USPC D13/107-110, 118-119, 184, 199;
320/103-115; D15/9
See application file for complete search history.

(56) **References Cited**

U.S. PATENT DOCUMENTS

4,331,883	A *	5/1982	Vitaloni	307/150
D280,318	S *	8/1985	Barone	D13/110
D298,029	S *	10/1988	Foster	D13/119
D464,619	S *	10/2002	Krieger et al.	D13/110
D464,935	S *	10/2002	Krieger et al.	D13/110
D469,401	S *	1/2003	Griffey et al.	D13/110

D609,634	S *	2/2010	Daniels et al.	D13/107
D651,562	S *	1/2012	Takeno et al.	D13/107
D664,502	S *	7/2012	Inskeep	D13/107
D684,115	S *	6/2013	Inskeep	D13/107
2001/0043052	A1 *	11/2001	Griffey et al.	320/114

* cited by examiner

Primary Examiner — Rosemary K Tarcza

(57) **CLAIM**

I claim the ornamental design for a jump starter, as shown and described.

DESCRIPTION

FIG. 1 is a top perspective view of the jump starter showing my new design.

FIG. 2 is a bottom perspective view.

FIG. 3 is a front view.

FIG. 4 is a back view.

FIG. 5 is a left side view thereof.

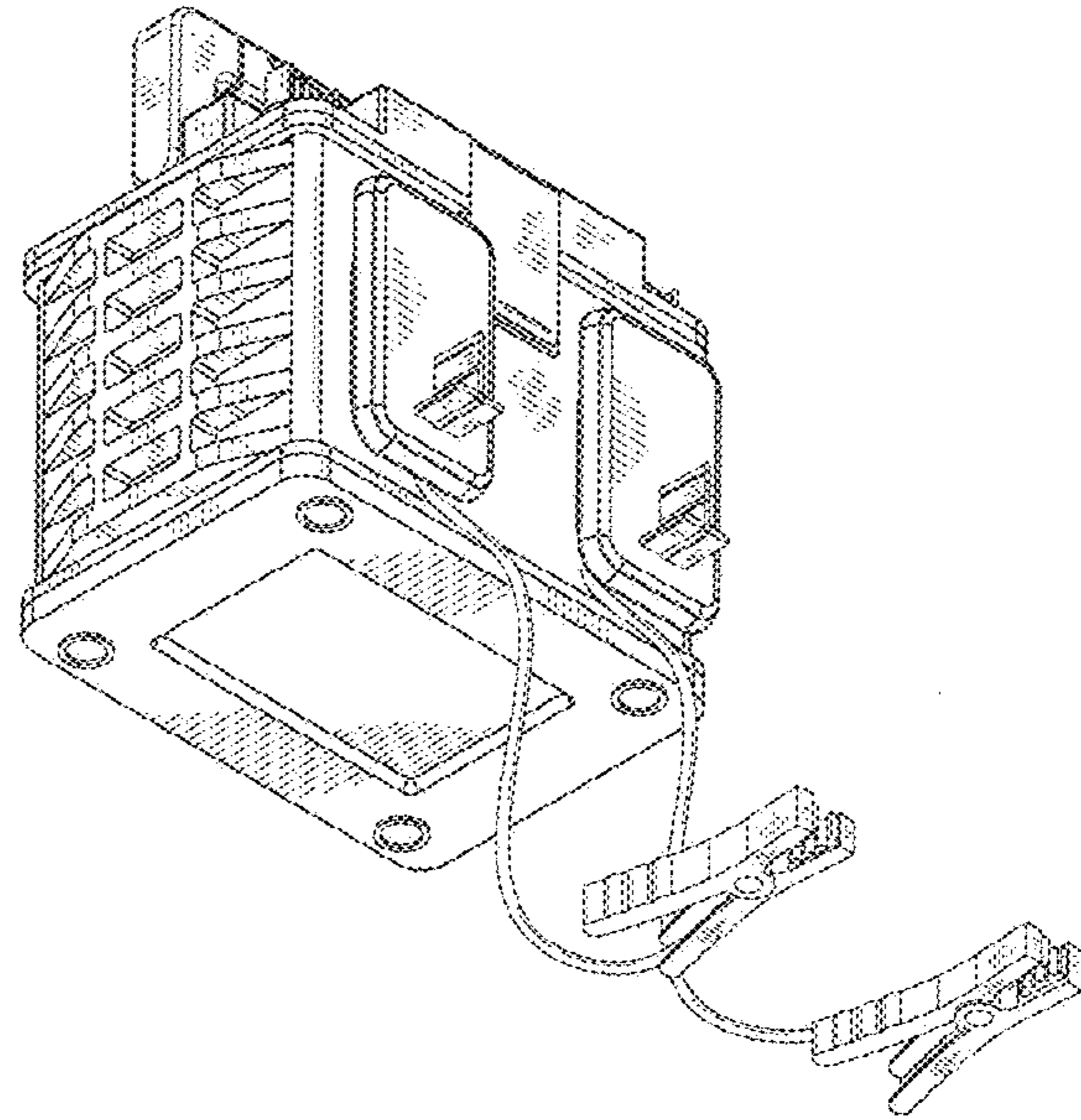
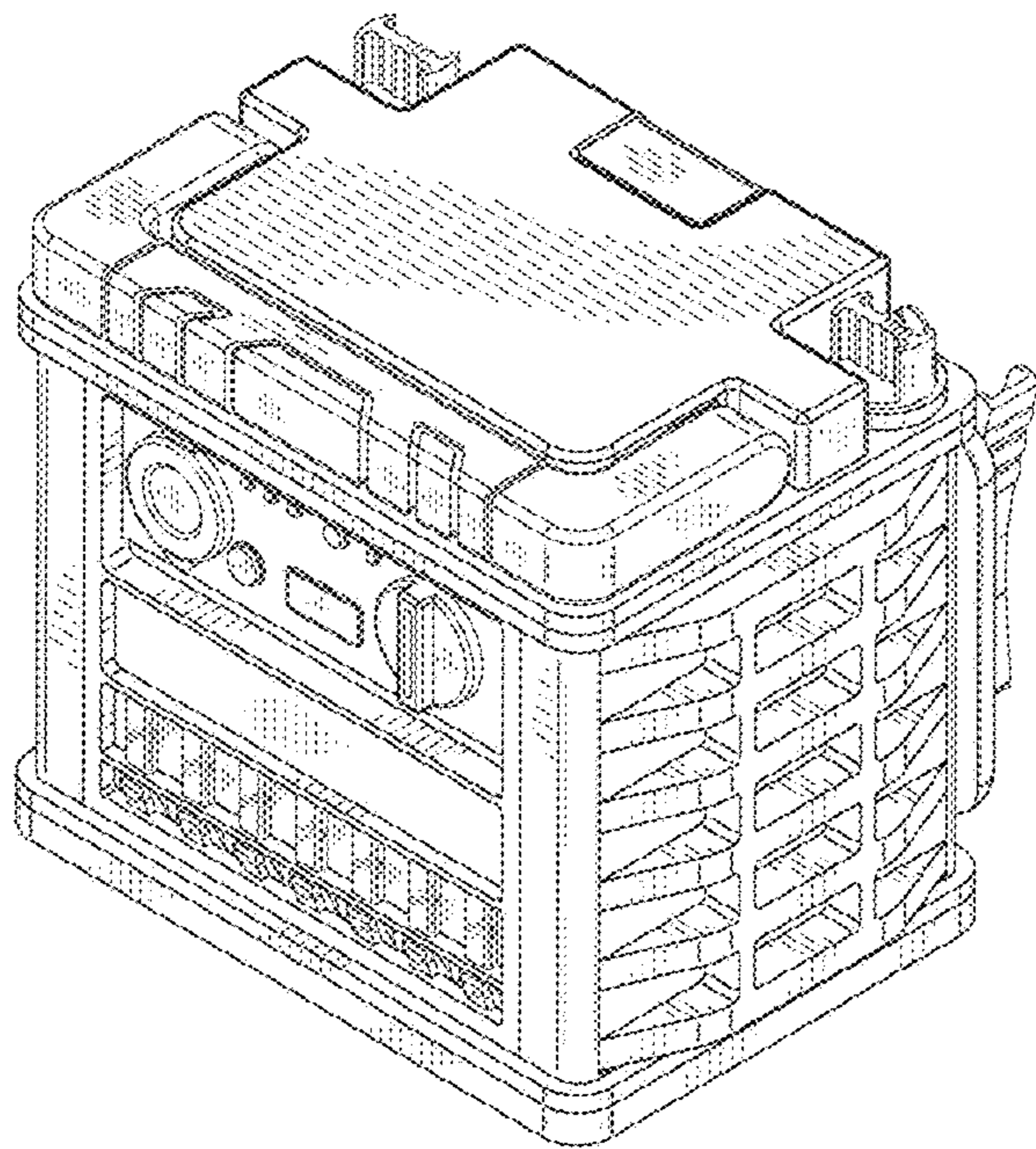
FIG. 6 is a top view thereof.

FIG. 7 is a bottom view thereof.

FIG. 8 is a top perspective view with handle up and cables unhinged; and,

FIG. 9 is a bottom perspective view with the handle up and cables unhinged.

1 Claim, 9 Drawing Sheets



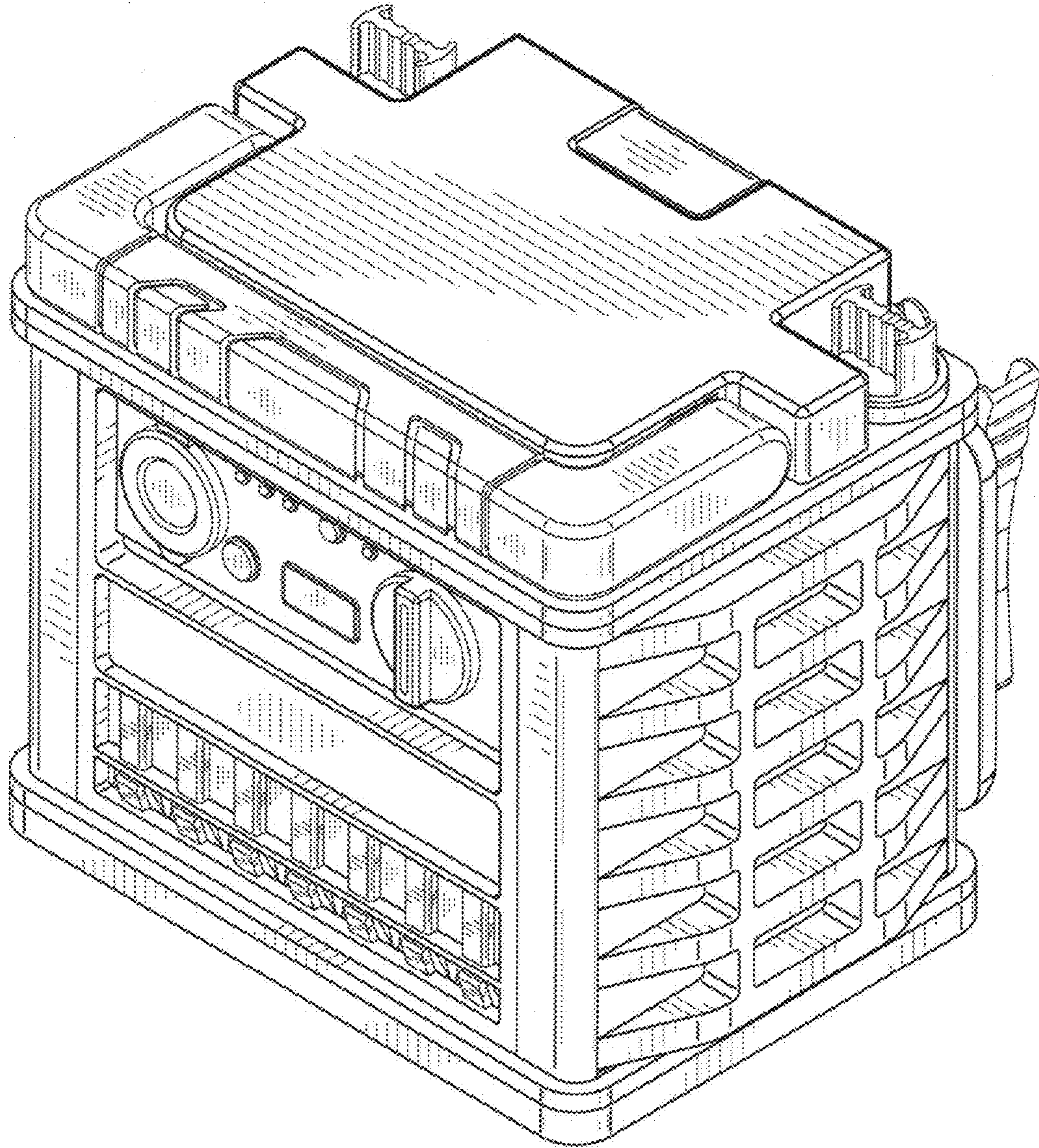


FIG. 1

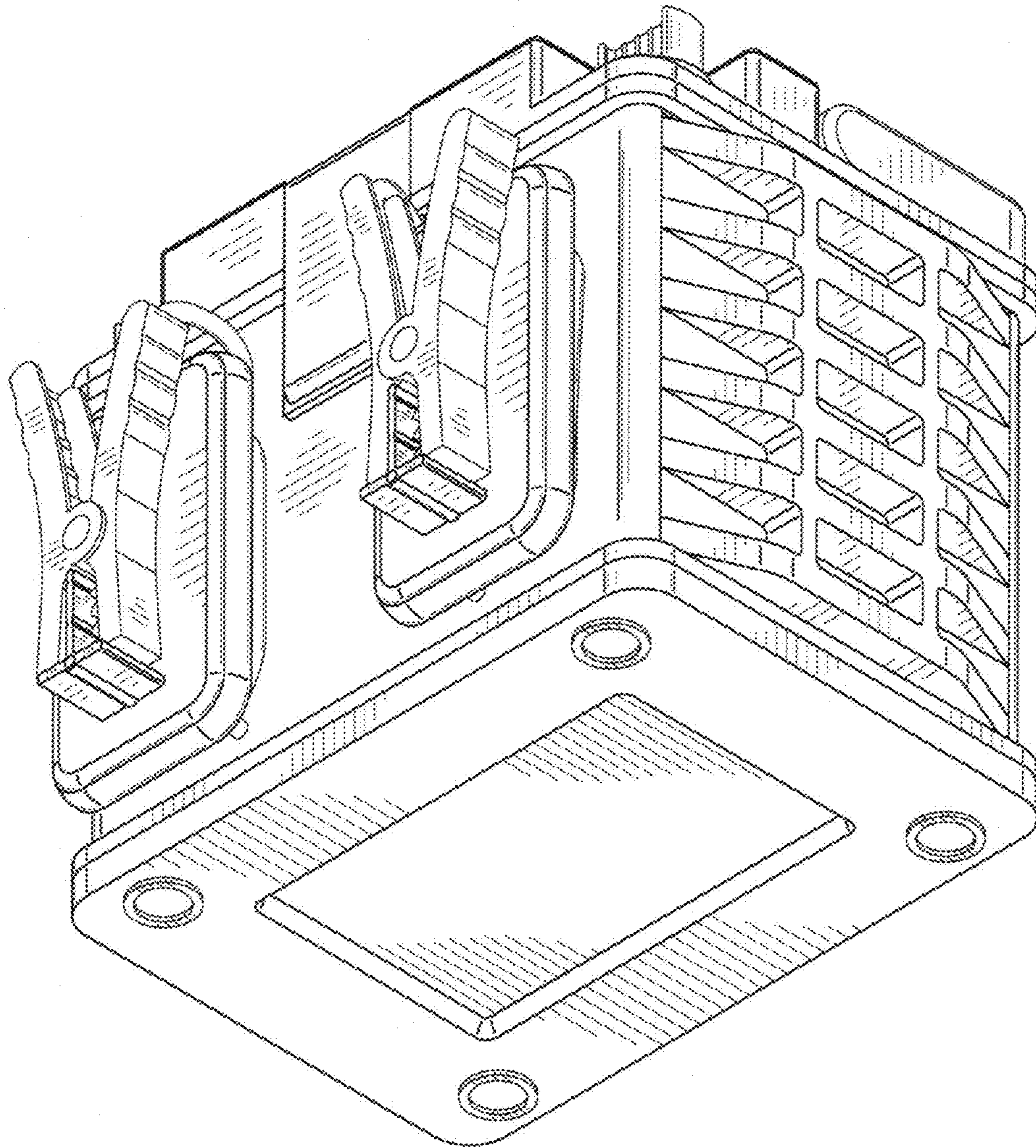


FIG. 2

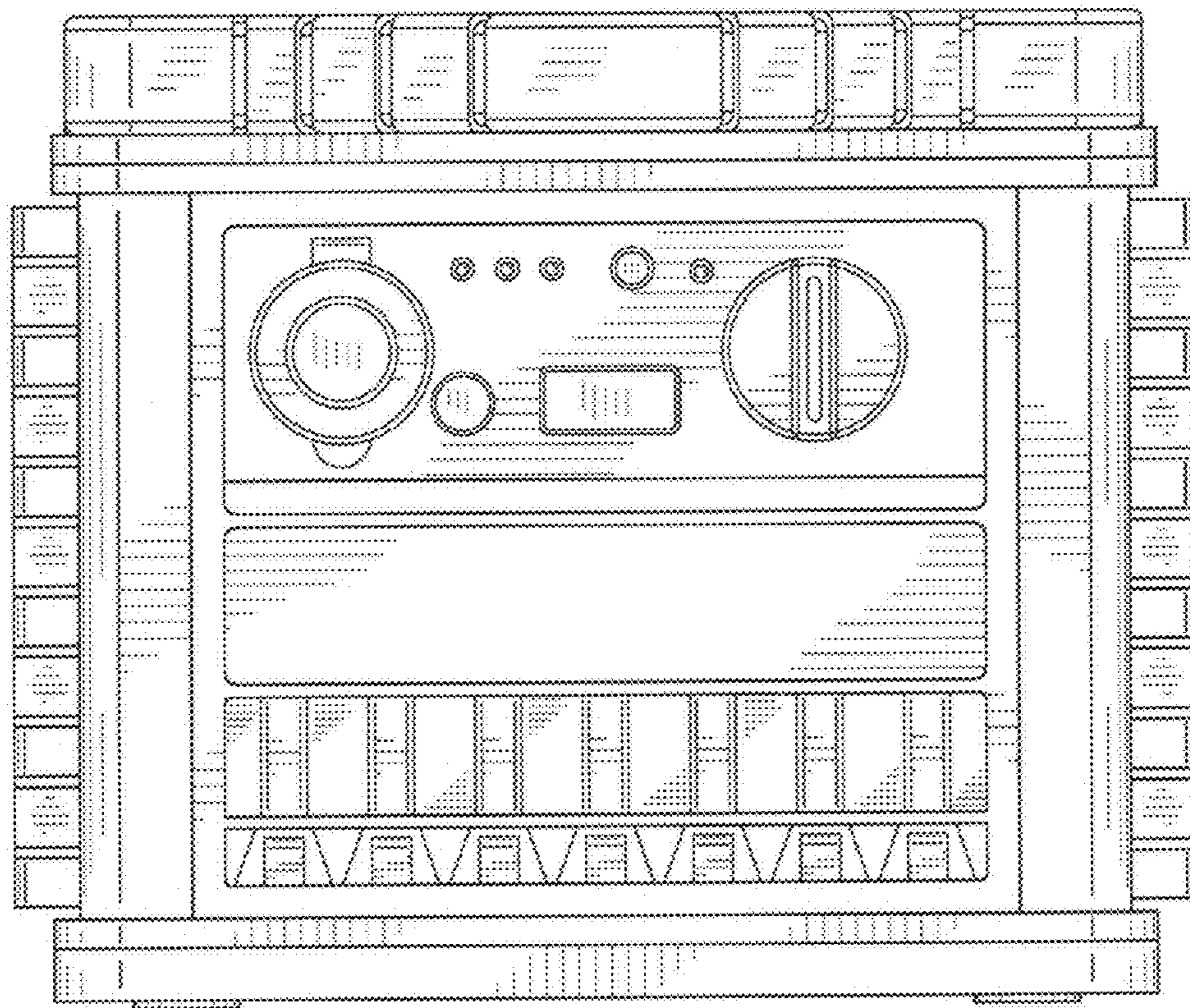


FIG. 3

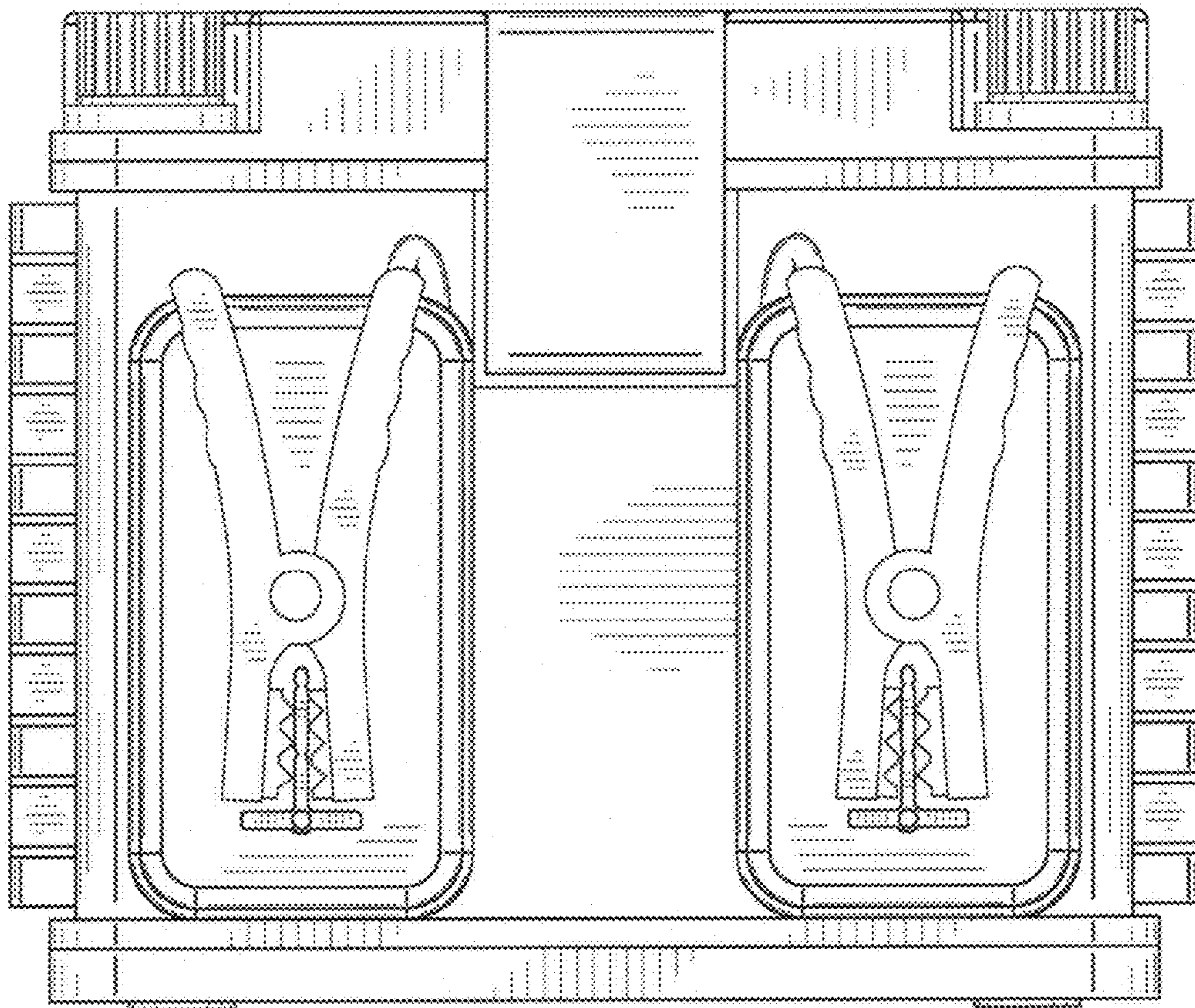


FIG. 4

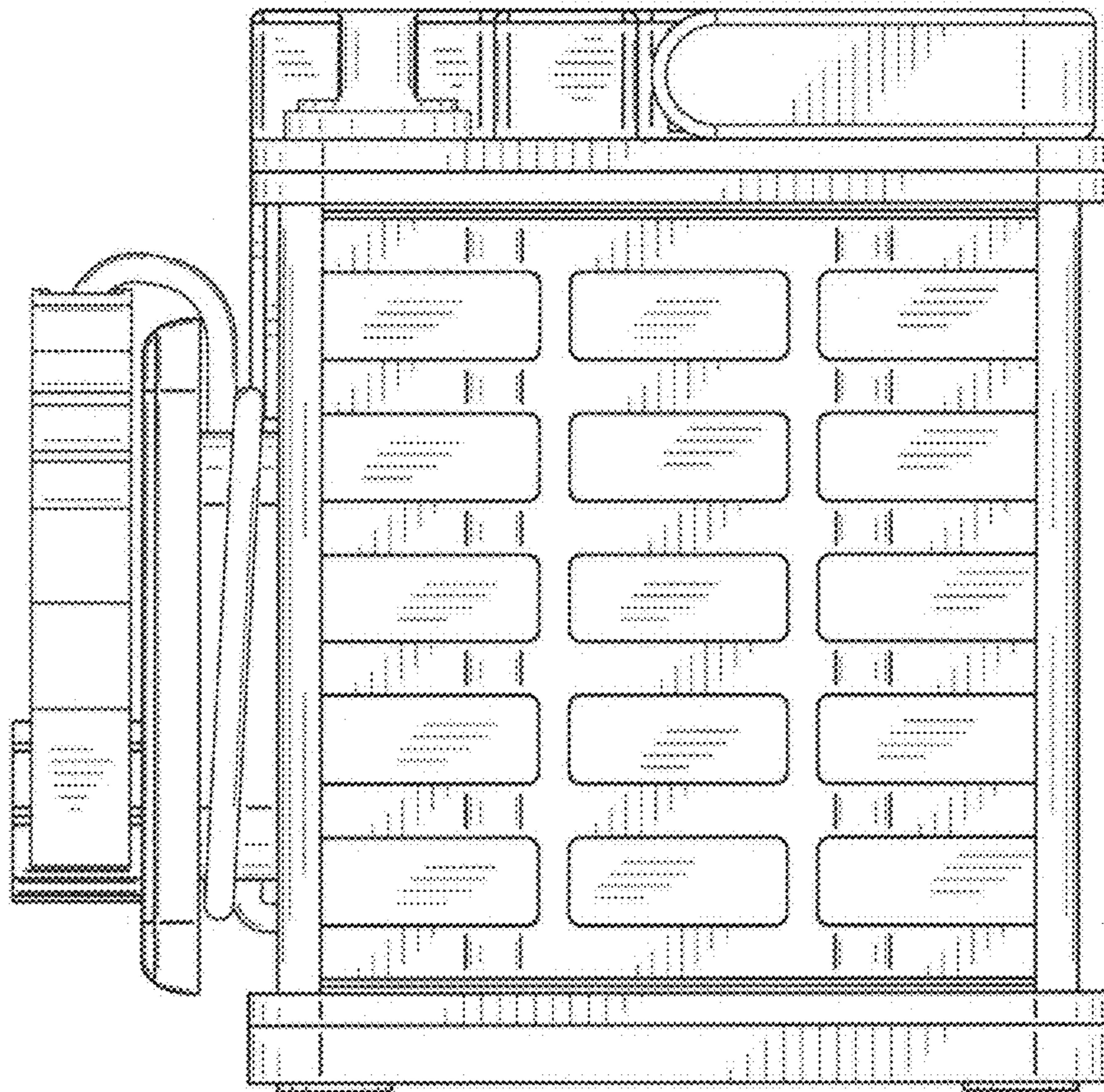


FIG. 5

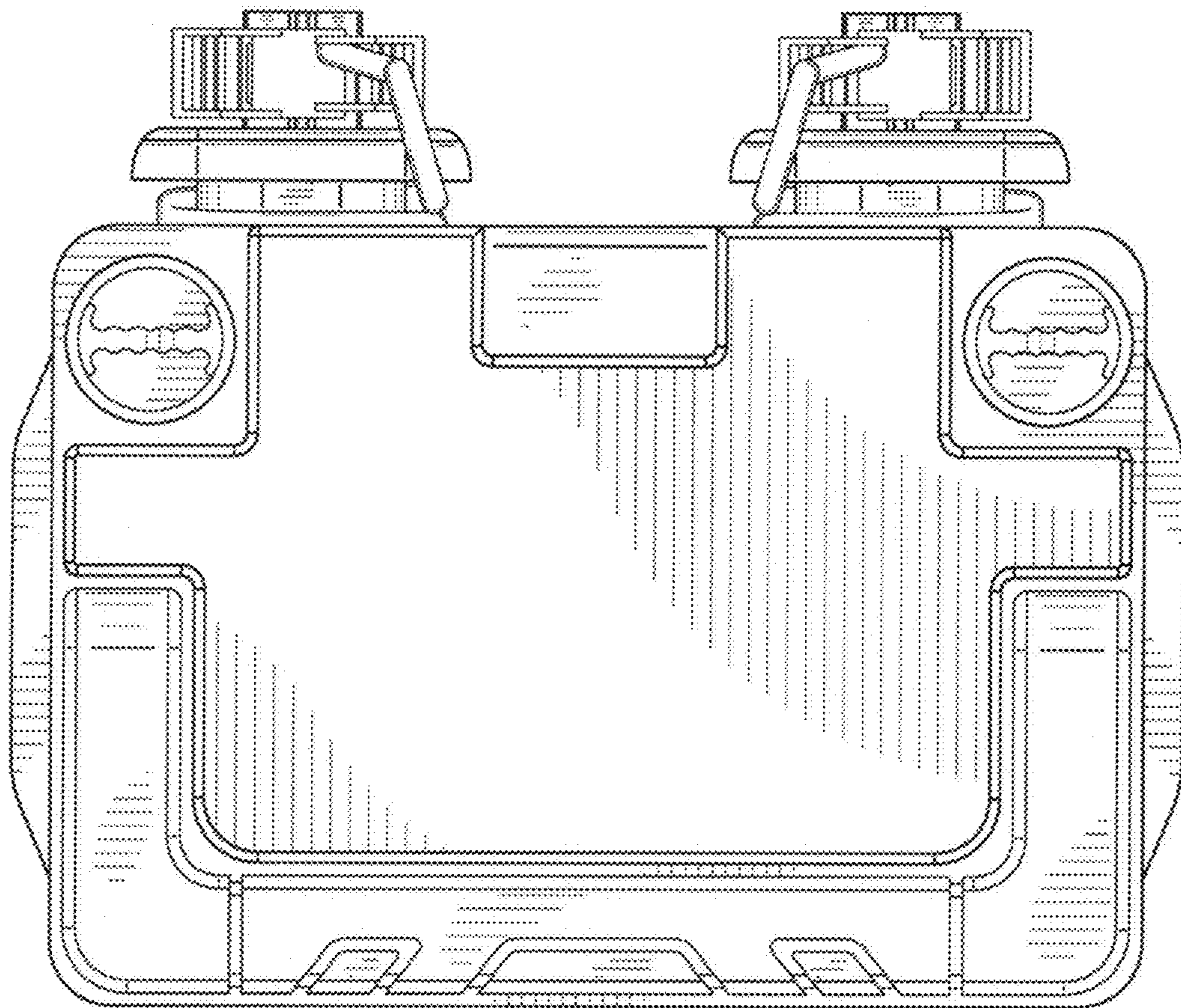


FIG. 6

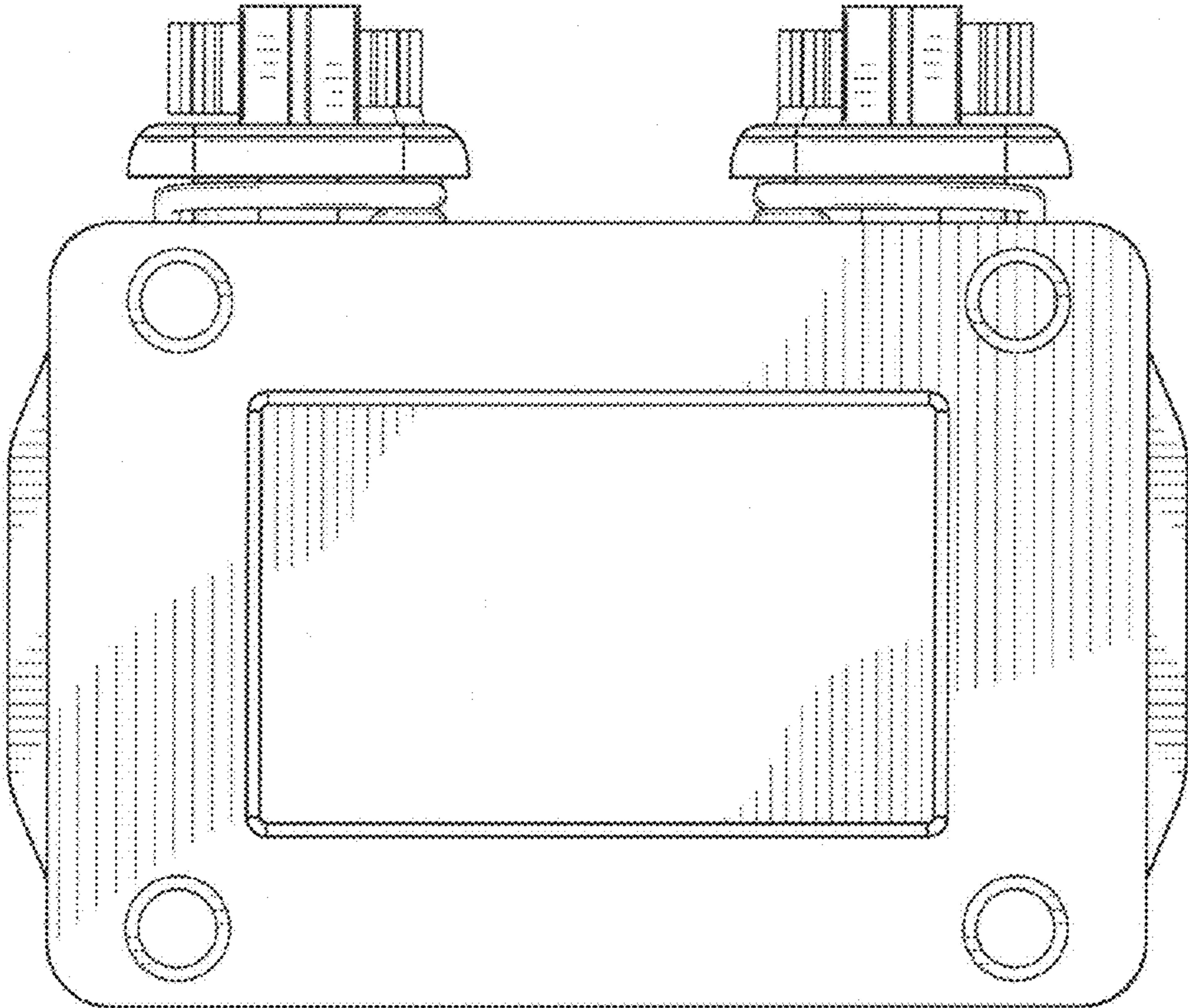


FIG. 7

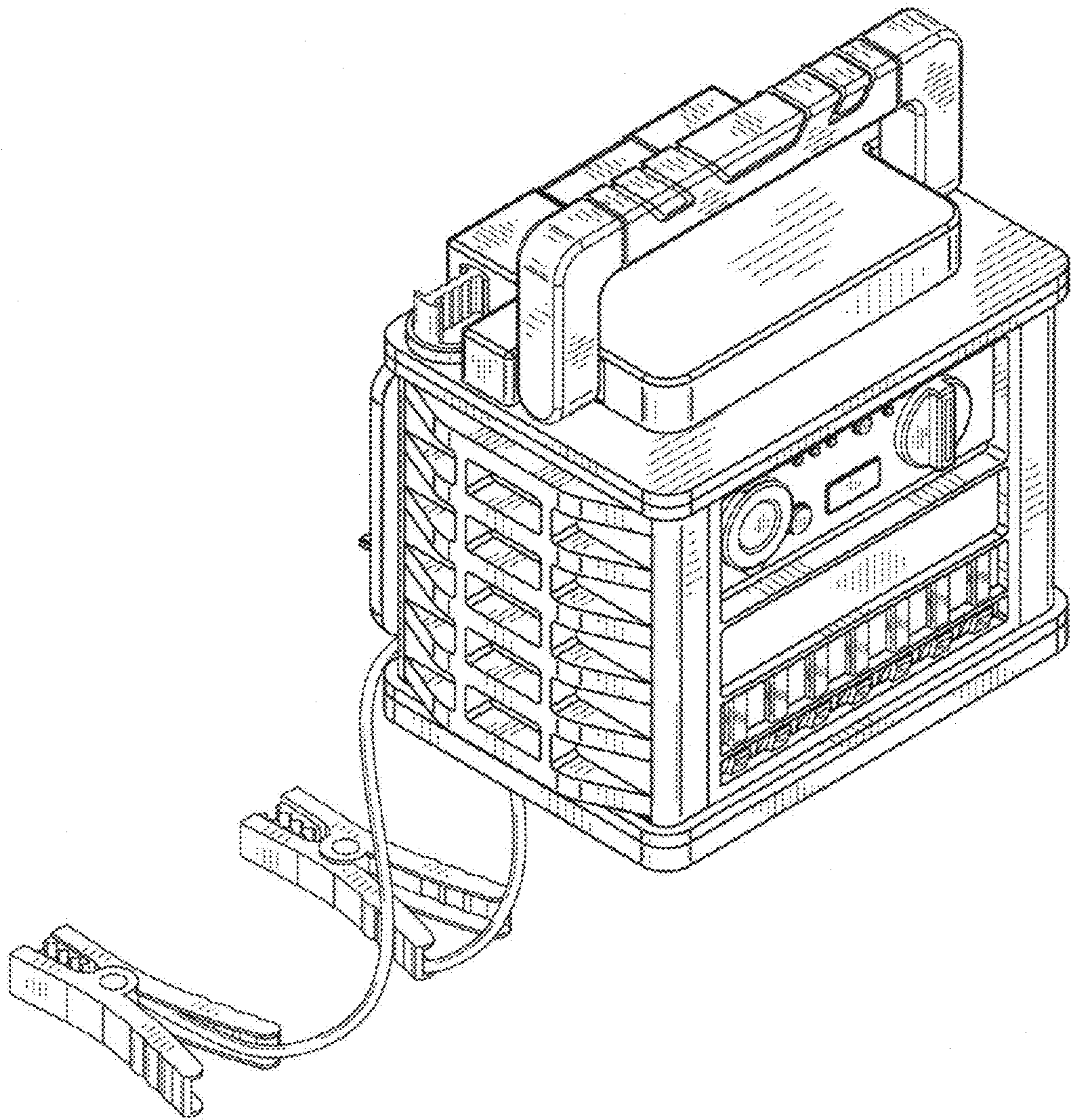


FIG. 8

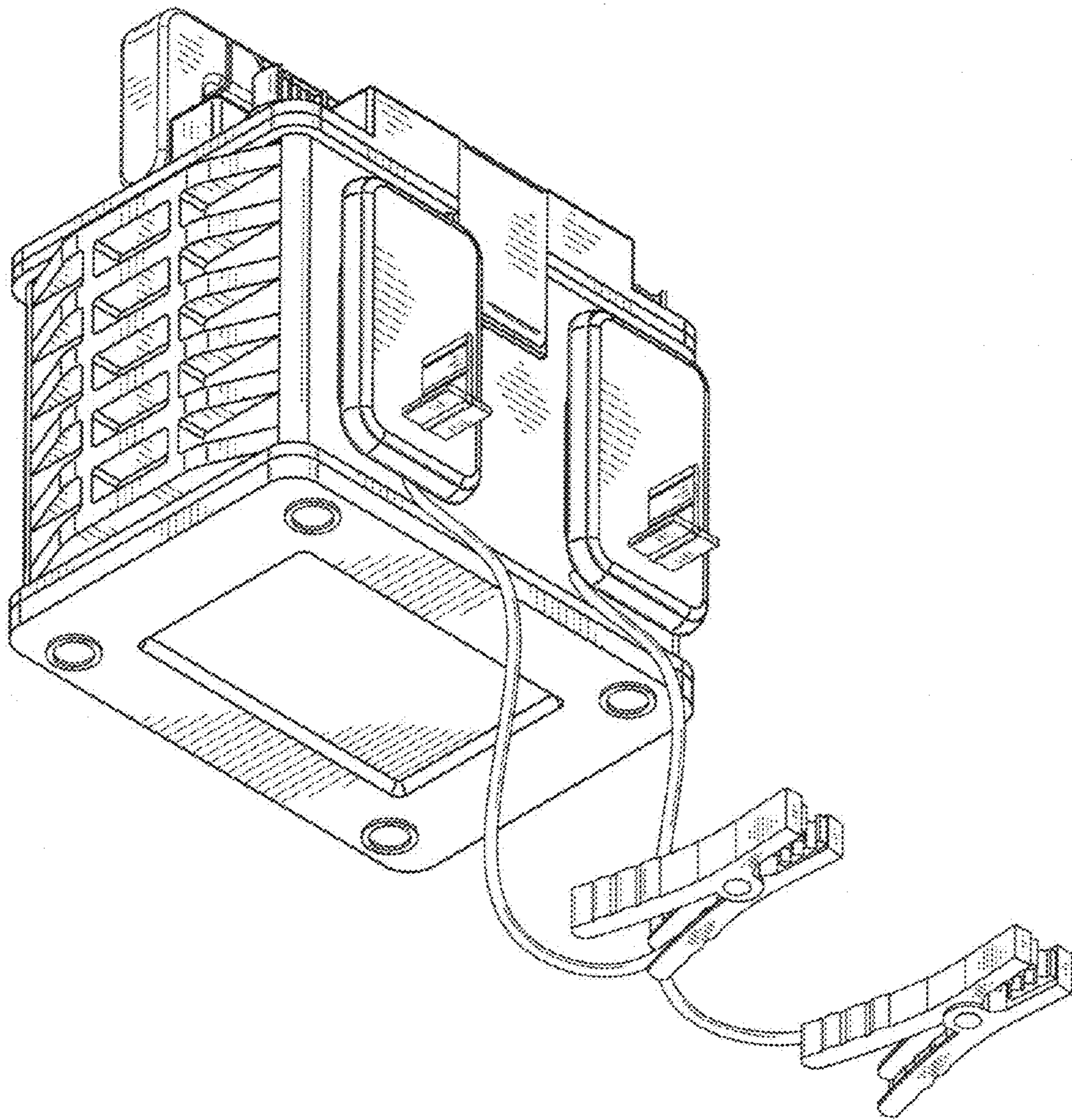


FIG. 9