



US00D693293S

(12) **United States Design Patent**
Tang

(10) **Patent No.:** **US D693,293 S**

(45) **Date of Patent:** **** Nov. 12, 2013**

(54) **BATTERY**

(76) Inventor: **Weibin Tang**, Guangzhou (CN)

(**) Term: **14 Years**

(21) Appl. No.: **29/406,448**

(22) Filed: **Nov. 14, 2011**

(30) **Foreign Application Priority Data**

Sep. 14, 2011 (CN) 2011 3 0321911

(51) **LOC (9) Cl.** **13-02**

(52) **U.S. Cl.**
USPC **D13/104**

(58) **Field of Classification Search**
USPC D13/102-106, 110, 118-119, 184;
429/96-100, 149, 163, 176, 187
See application file for complete search history.

(56) **References Cited**

U.S. PATENT DOCUMENTS

D294,484 S * 3/1988 Kellett et al. D13/106
5,440,785 A * 8/1995 McDonald 16/423

D400,849 S * 11/1998 Ikeda et al. D13/106
D401,551 S * 11/1998 Kim D13/106
D458,900 S * 6/2002 Carter et al. D13/106
D462,656 S * 9/2002 Degen et al. D13/104
D584,684 S * 1/2009 Aglassinger D13/110
D625,254 S * 10/2010 Mack et al. D13/104
D633,865 S * 3/2011 Qualls et al. D13/106
2011/0293980 A1 * 12/2011 Tartaglia 429/100

* cited by examiner

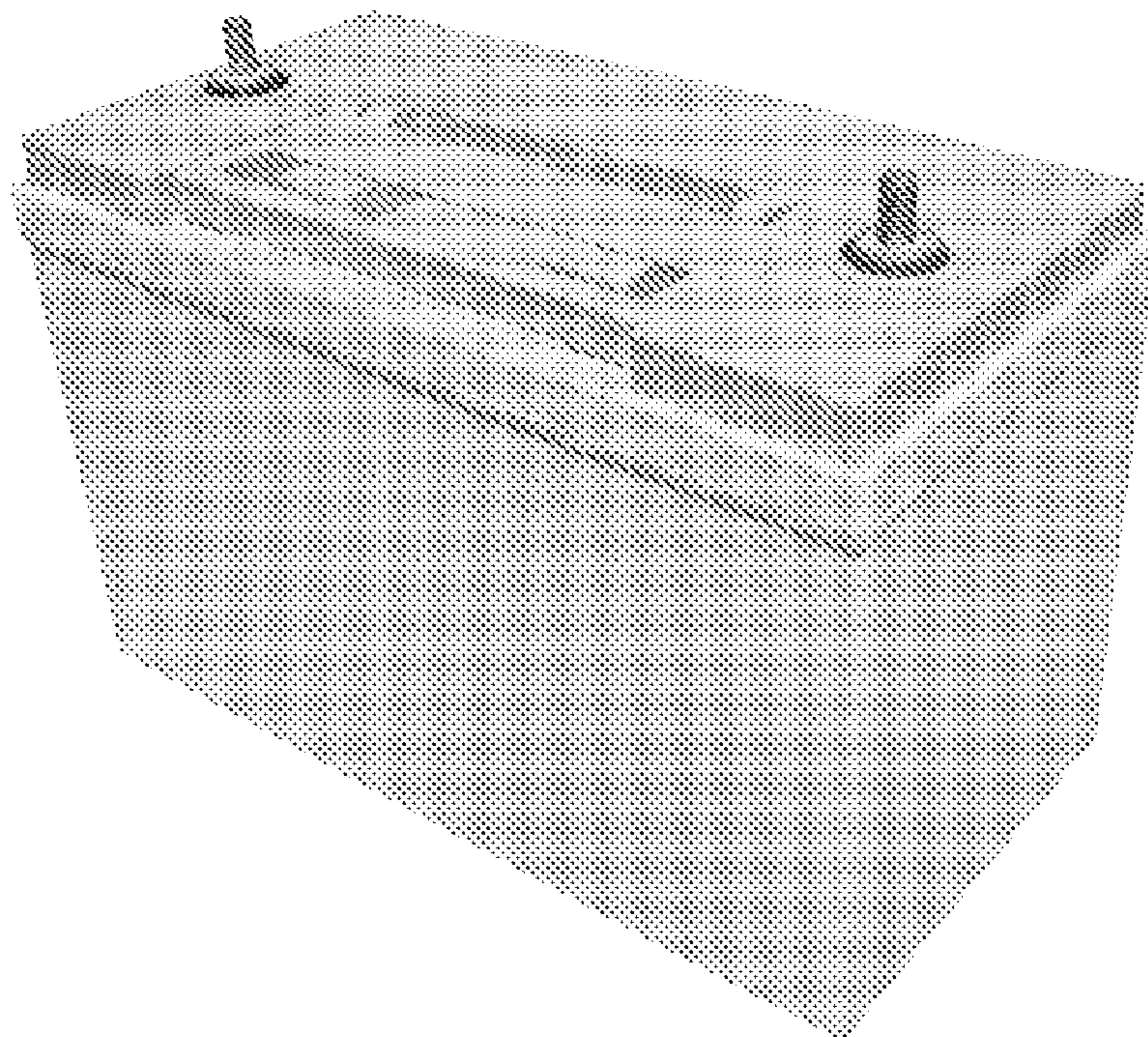
Primary Examiner — Rosemary K Tarcza

(57) **CLAIM**
The ornamental design for a battery, as shown.

DESCRIPTION

FIG. 1 is a front perspective view of a battery showing my new design;
FIG. 2 is a rear view thereof;
FIG. 3 is a left side view thereof;
FIG. 4 is a right side view thereof;
FIG. 5 is a top view thereof;
FIG. 6 is a bottom view thereof; and,
FIG. 7 is a three-dimensional view thereof.

1 Claim, 4 Drawing Sheets



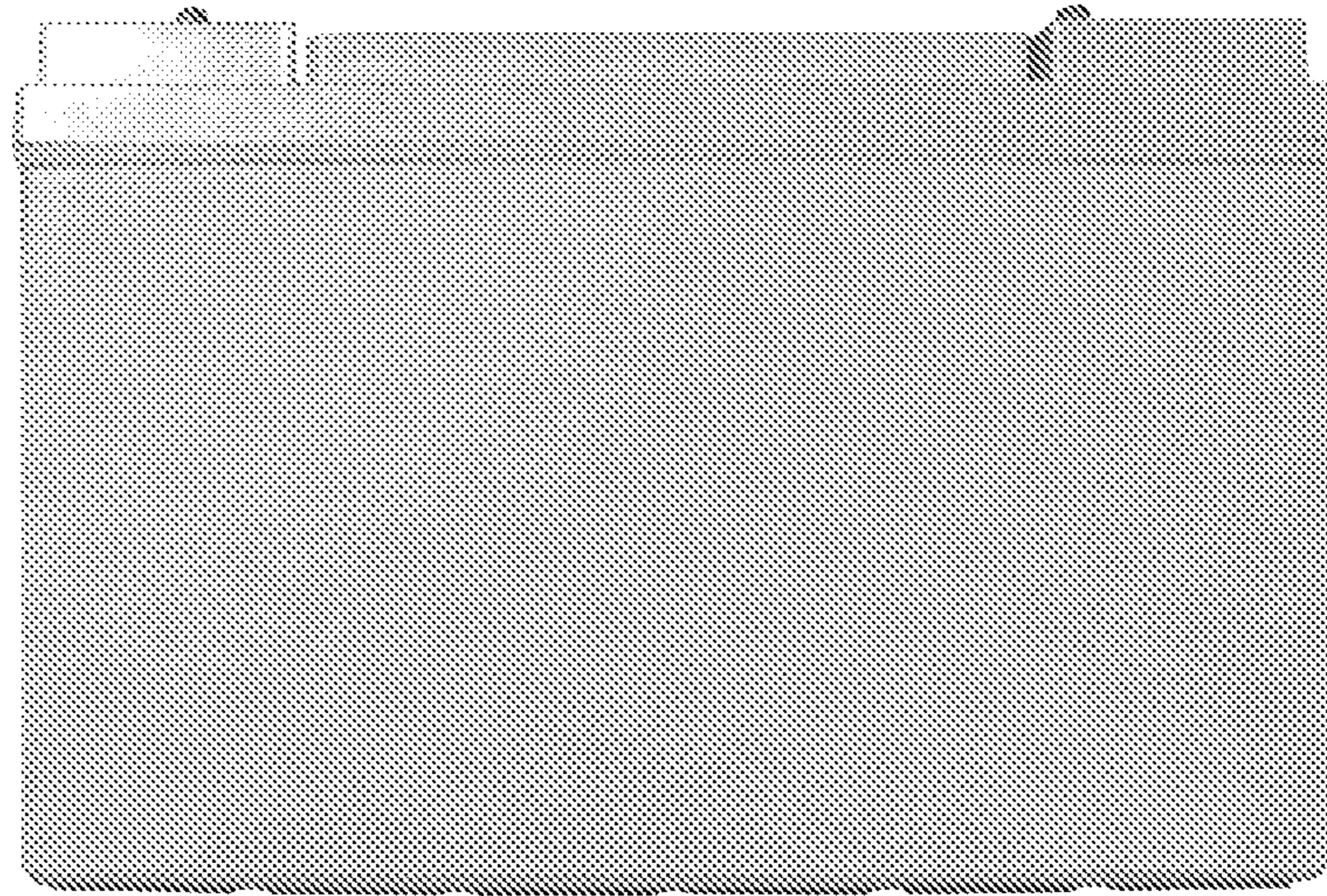


Fig. 1



Fig. 2

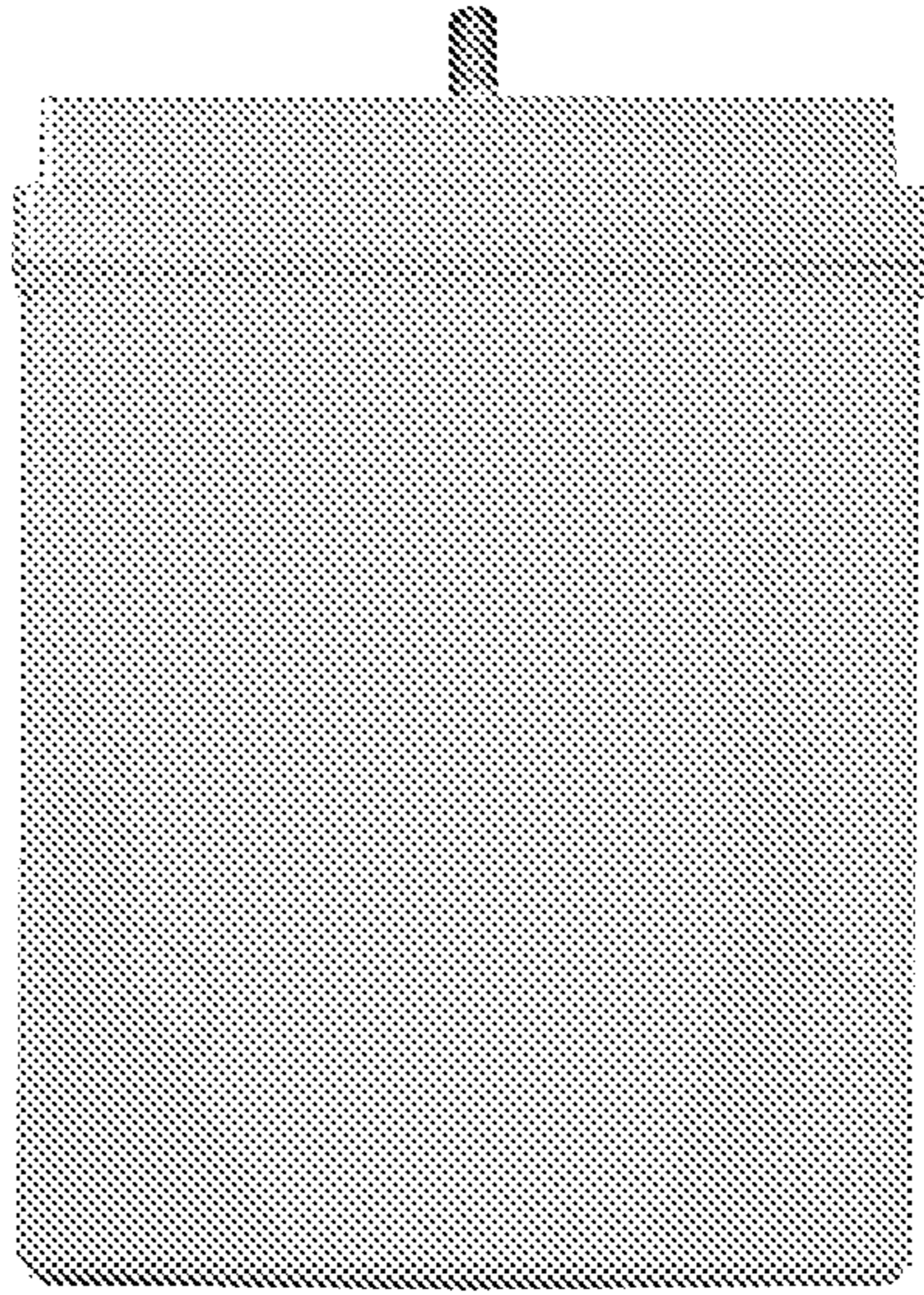


Fig.3

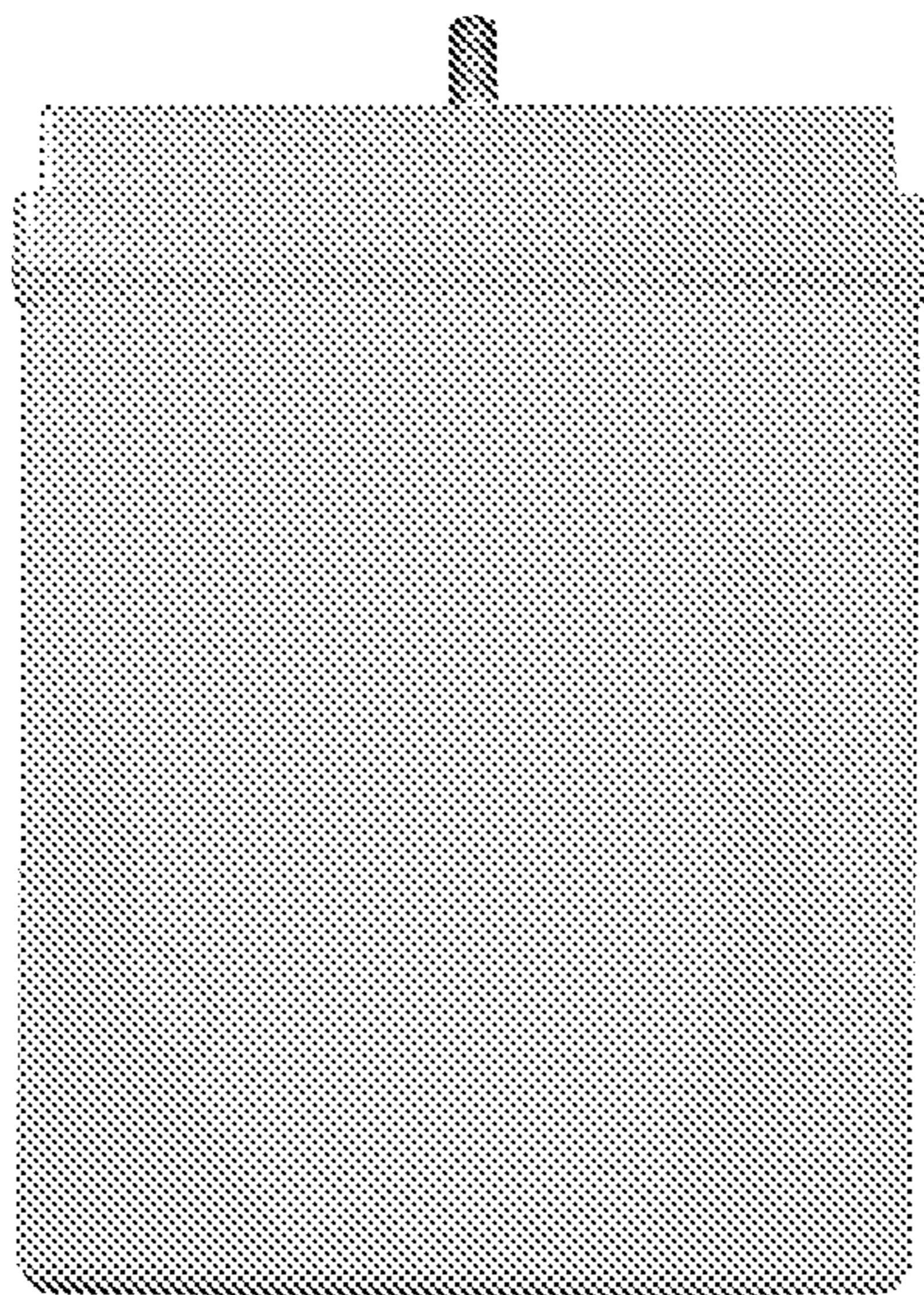


Fig.4

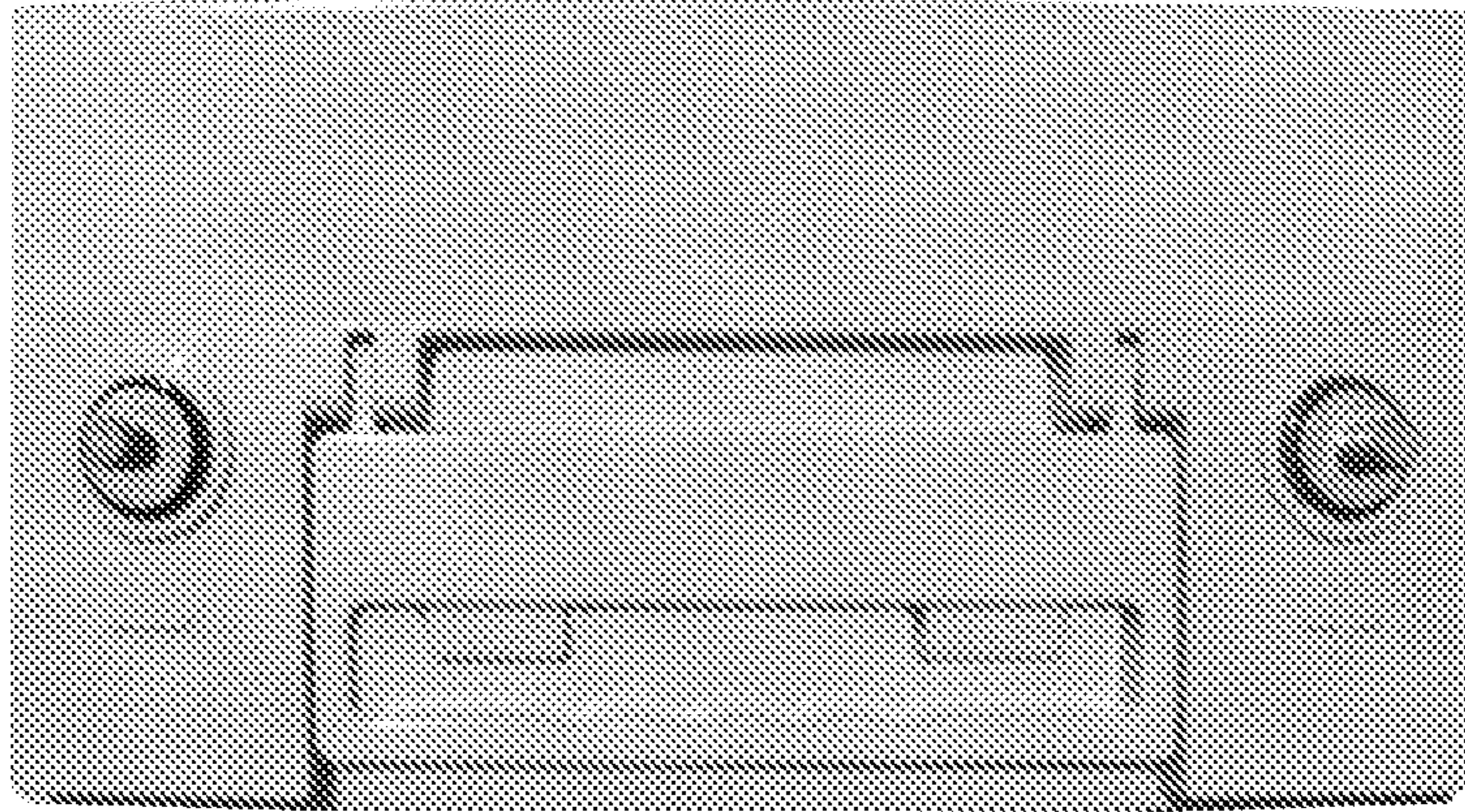


Fig.5

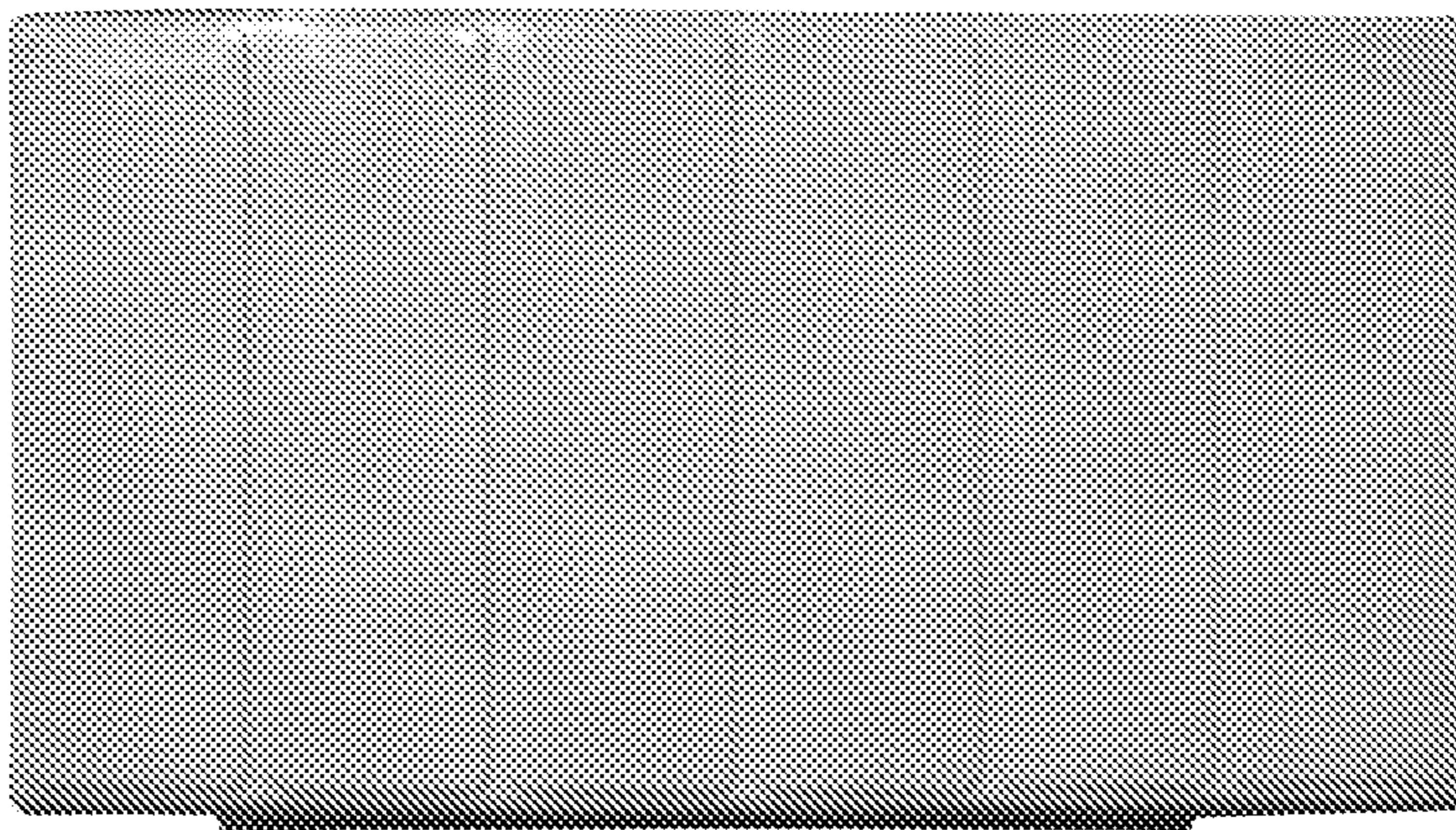


Fig.6

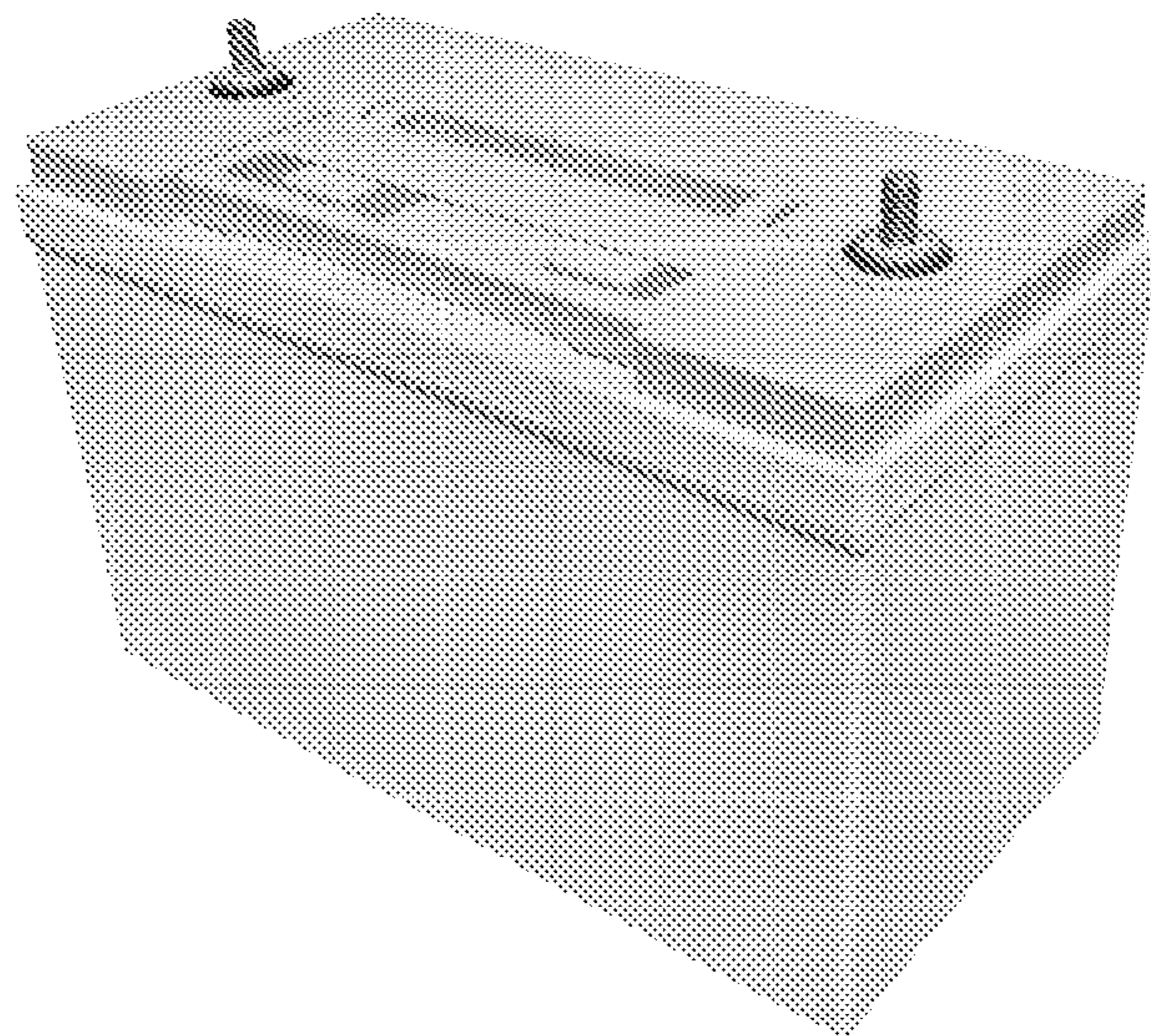


Fig.7