



US00D693290S

(12) **United States Design Patent**
Yonetsu

(10) **Patent No.:** **US D693,290 S**

(45) **Date of Patent:** **** Nov. 12, 2013**

(54) **TIRE**

(75) **Inventor:** **Isao Yonetsu, Osaka (JP)**

(73) **Assignee:** **Toyo Tire & Rubber Co., Ltd., Osaka (JP)**

(**) **Term:** **14 Years**

(21) **Appl. No.:** **29/408,862**

(22) **Filed:** **Dec. 16, 2011**

(30) **Foreign Application Priority Data**

Nov. 1, 2011 (JP) 2011-025251

(51) **LOC (9) Cl.** **12-15**

(52) **U.S. Cl.**
USPC **D12/586**

(58) **Field of Classification Search**
USPC D12/568-603, 551-556, 900-901;
152/209.1-209.9, 209.11-209.19,
152/209.21-209.28, 455
See application file for complete search history.

(56) **References Cited**

U.S. PATENT DOCUMENTS

D379,953 S *	6/1997	Hamamoto et al.	D12/590
D500,733 S *	1/2005	Himuro	D12/588
D609,171 S *	2/2010	Yonetsu	D12/590
D612,801 S *	3/2010	Scheifele	D12/588
D614,567 S *	4/2010	Yonetsu	D12/600
D616,811 S *	6/2010	Yonetsu	D12/601
D621,779 S *	8/2010	Yonetsu	D12/586
D631,000 S *	1/2011	Yonetsu	D12/600
D631,428 S *	1/2011	Yonetsu	D12/600
D642,975 S *	8/2011	Givens et al.	D12/586
D648,265 S *	11/2011	Kim et al.	D12/589
D651,557 S *	1/2012	Ohashi	D12/588

D662,463 S *	6/2012	Youn	D12/601
D667,780 S *	9/2012	Kaba	D12/588
D682,189 S *	5/2013	Lu	D12/588
D684,524 S *	6/2013	Ohashi	D12/586

FOREIGN PATENT DOCUMENTS

JP	D 1309423	9/2007
JP	D 1369994	9/2009

* cited by examiner

Primary Examiner — Stacia Cadmus

(74) *Attorney, Agent, or Firm* — Sterne, Kessler, Goldstein & Fox PLLC

(57) **CLAIM**

The ornamental design for a tire, as shown and described.

DESCRIPTION

FIG. 1 is a perspective view of a tire showing my new design; FIG. 2 is a front view thereof, for which the rear view is the same;

FIG. 3 is a top plan view thereof, for which the bottom plan view is the same;

FIG. 4 is a right side view thereof, for which the left side view is the same;

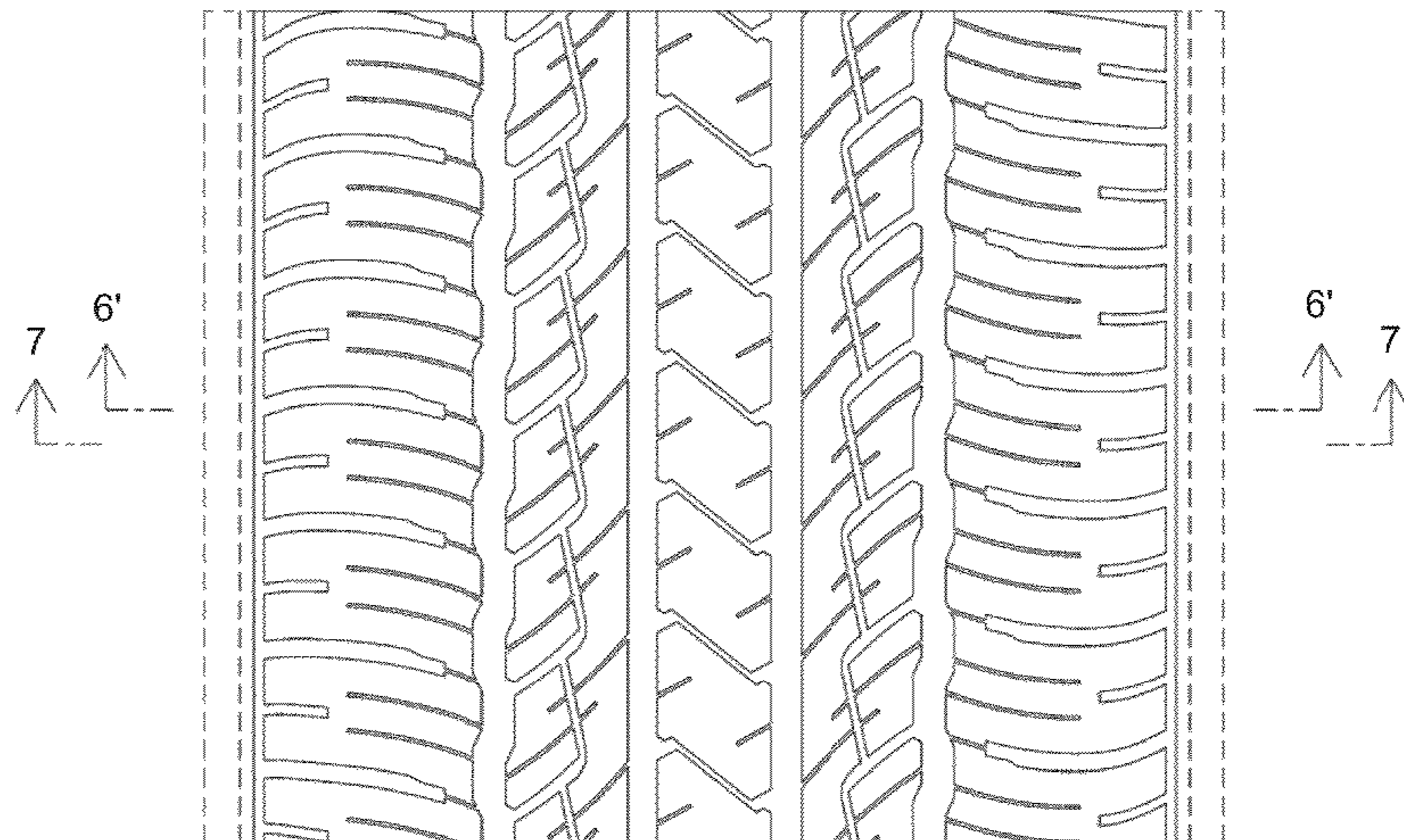
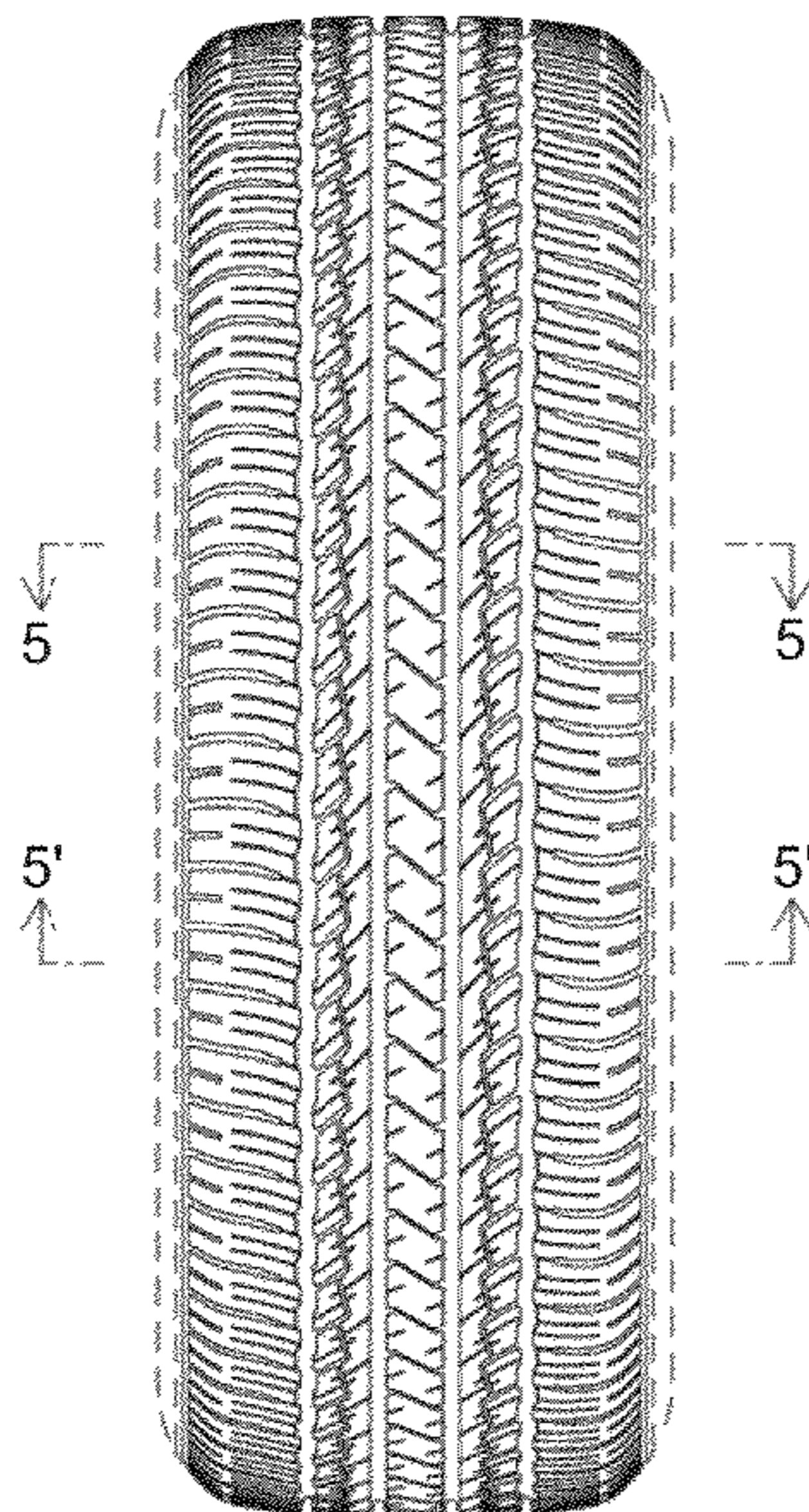
FIG. 5 is an enlarged view taken along lines 5-5 and 5'-5' in FIG. 2;

FIG. 6 is an enlarged end view taken along line 6-6 in FIG. 4 and line 6'-6' in FIG. 5; and,

FIG. 7 is an enlarged end view taken along line 6-6 in FIG. 4 and line 7-7 in FIG. 5.

In the drawings, the broken lines defining portions of the sidewall and inner bead depict environmental subject matter that forms no part of the claimed design.

1 Claim, 6 Drawing Sheets



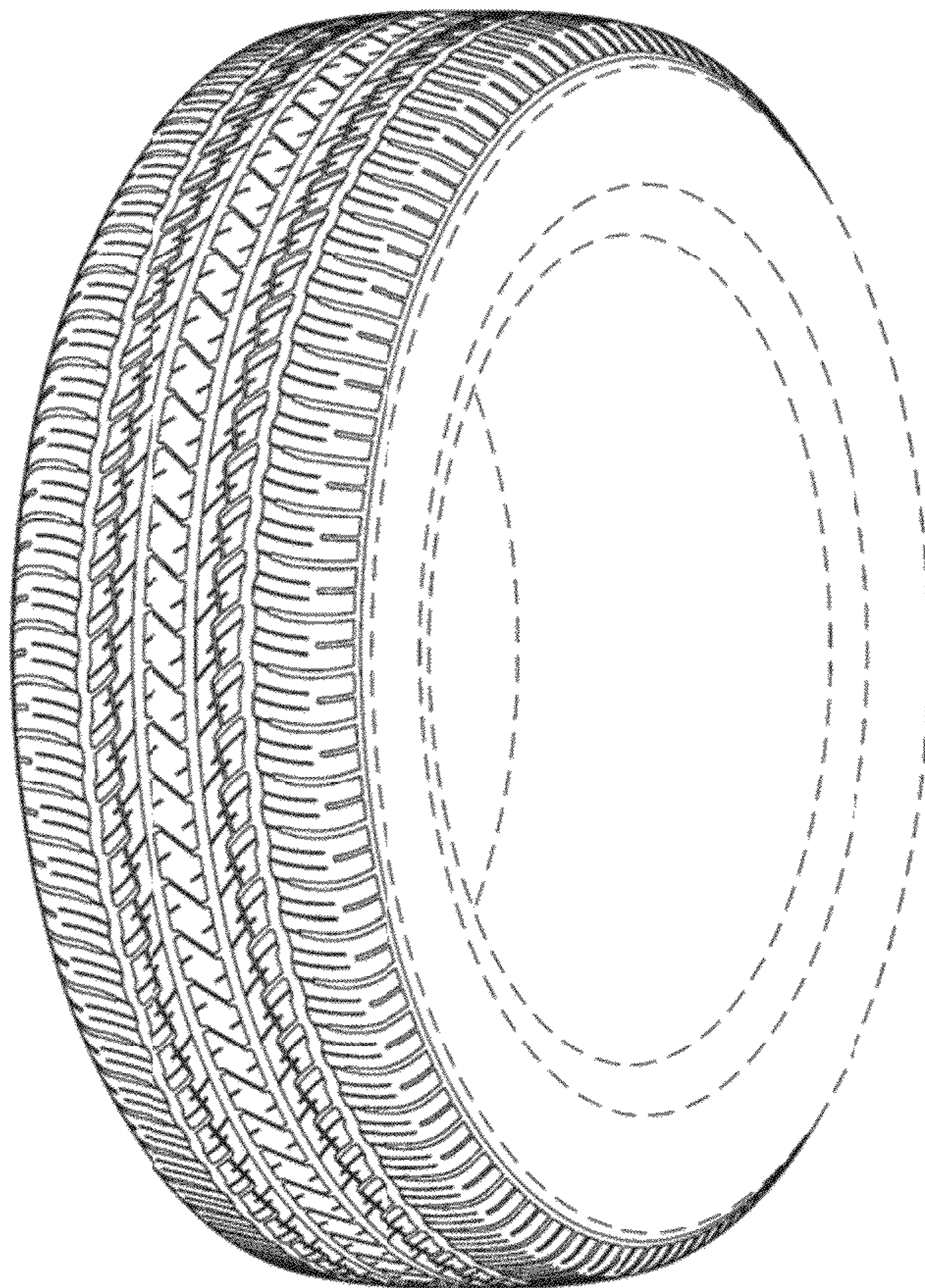


FIG. 1

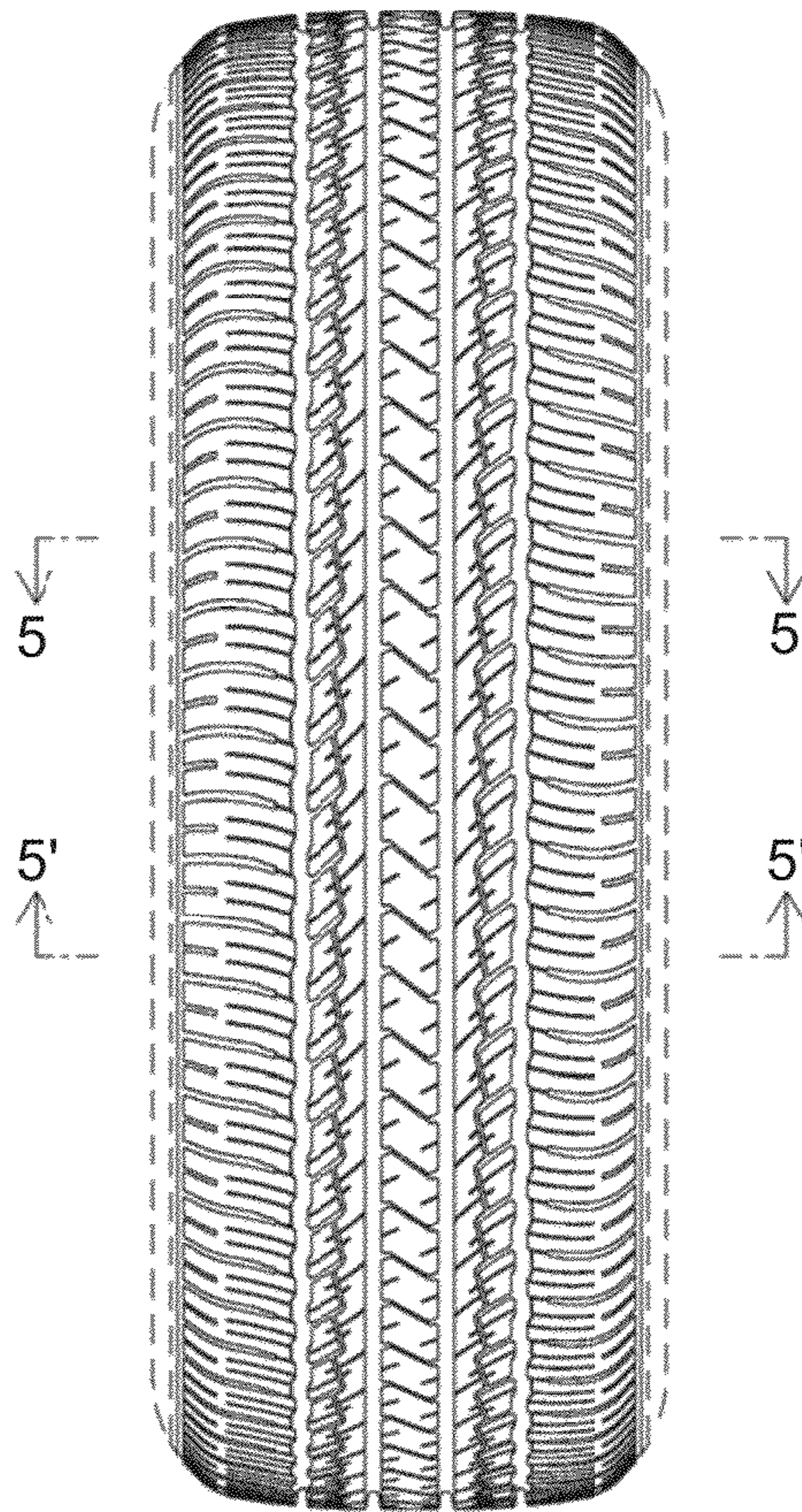


FIG. 2

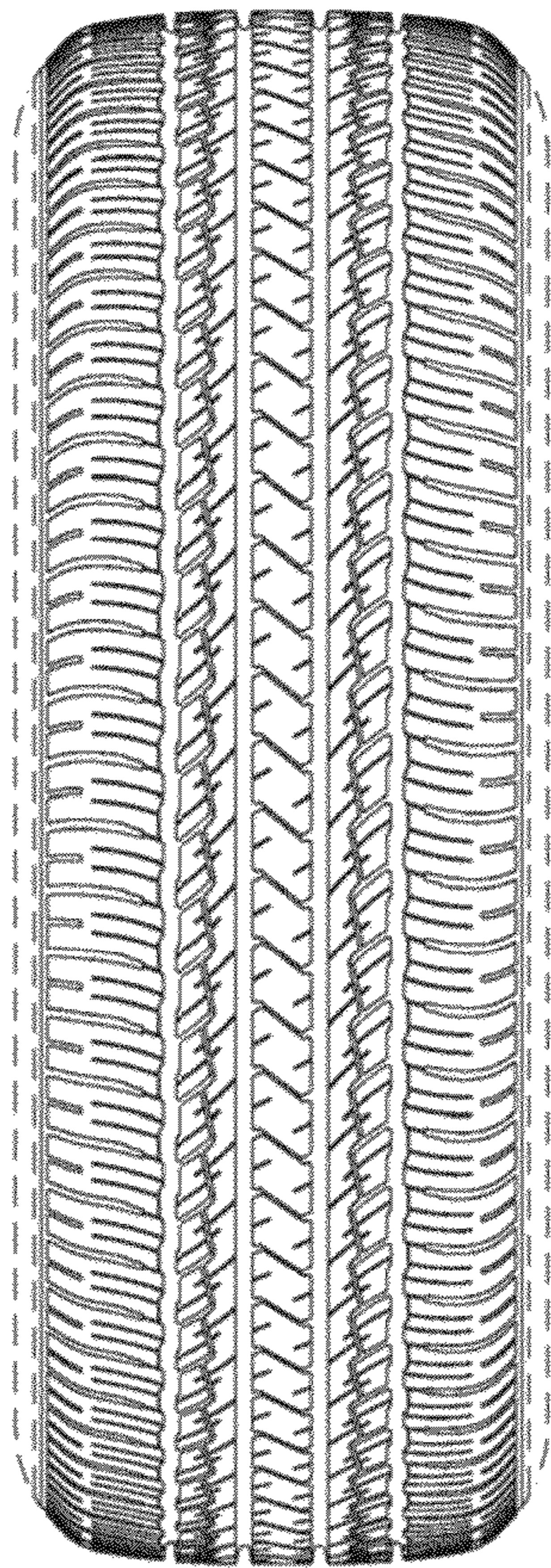


FIG. 3

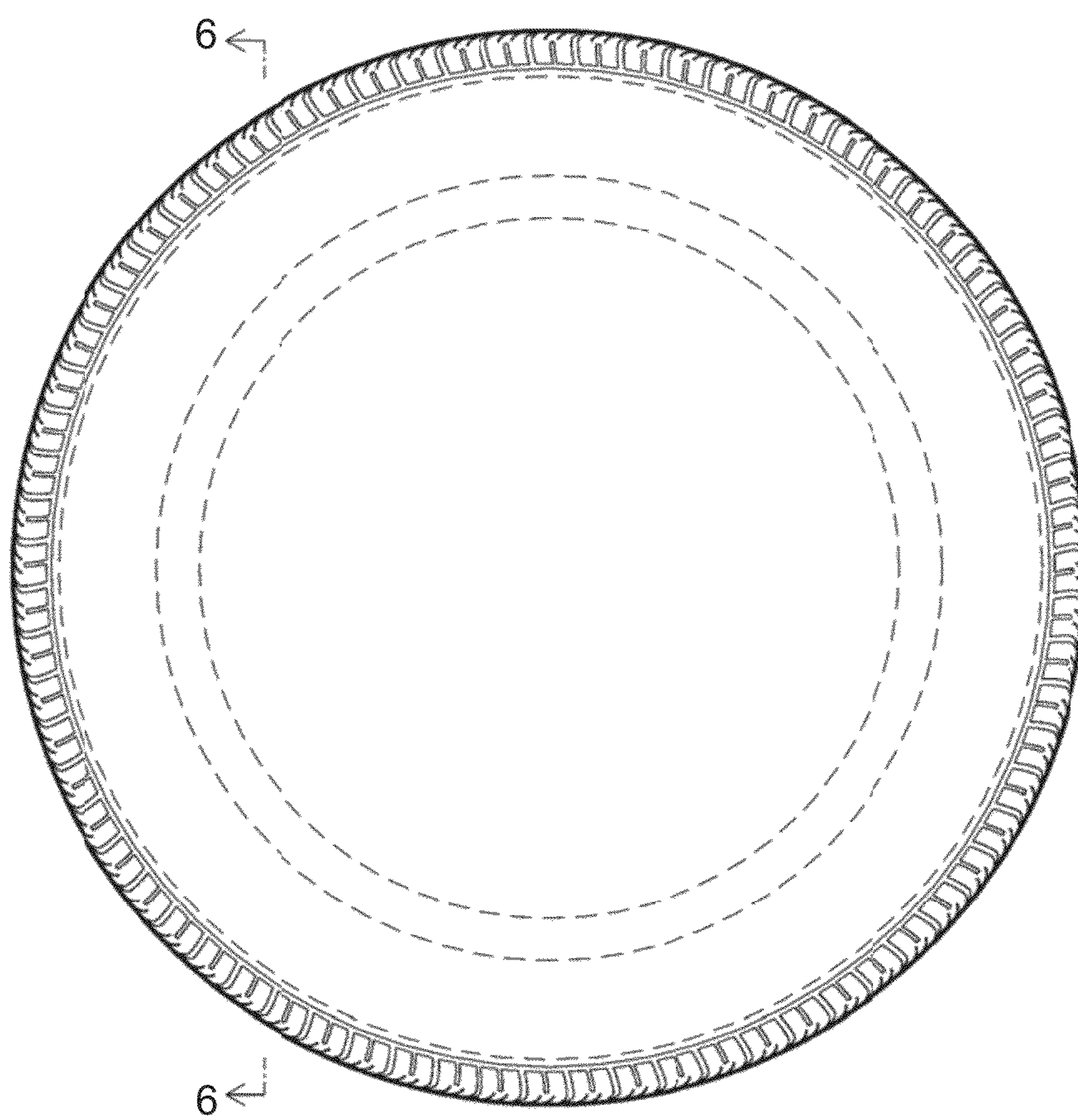


FIG. 4

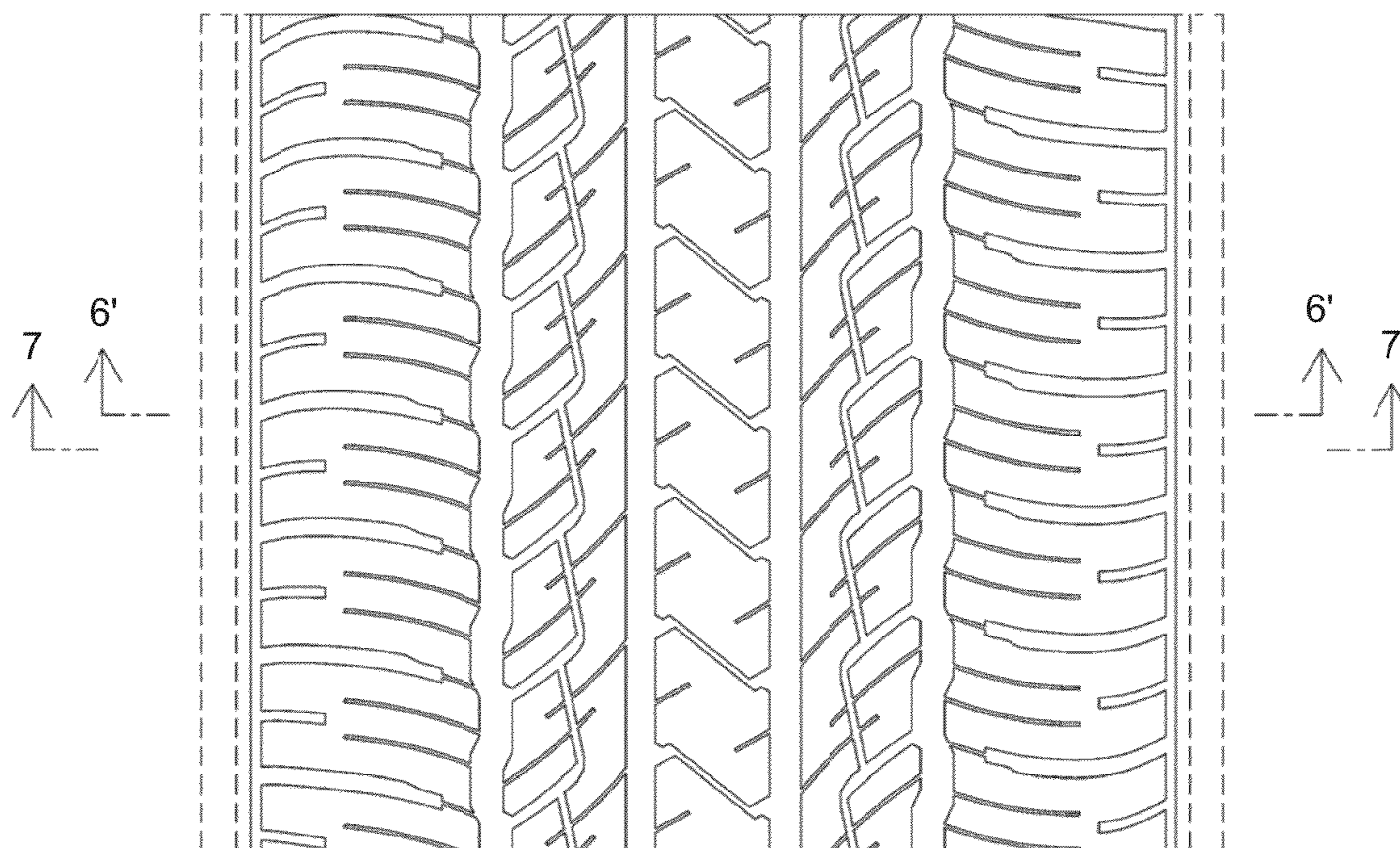


FIG. 5

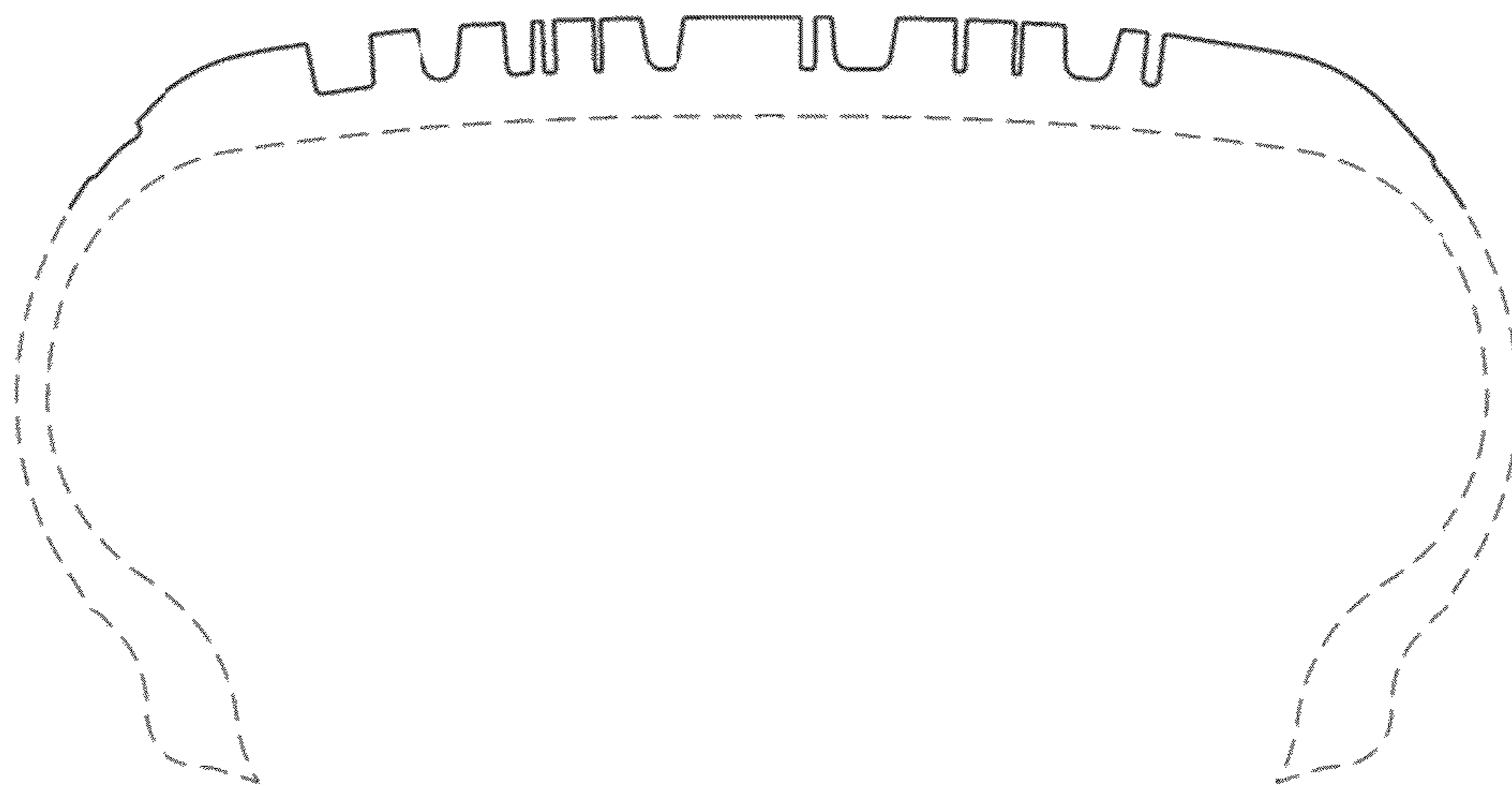


FIG. 6

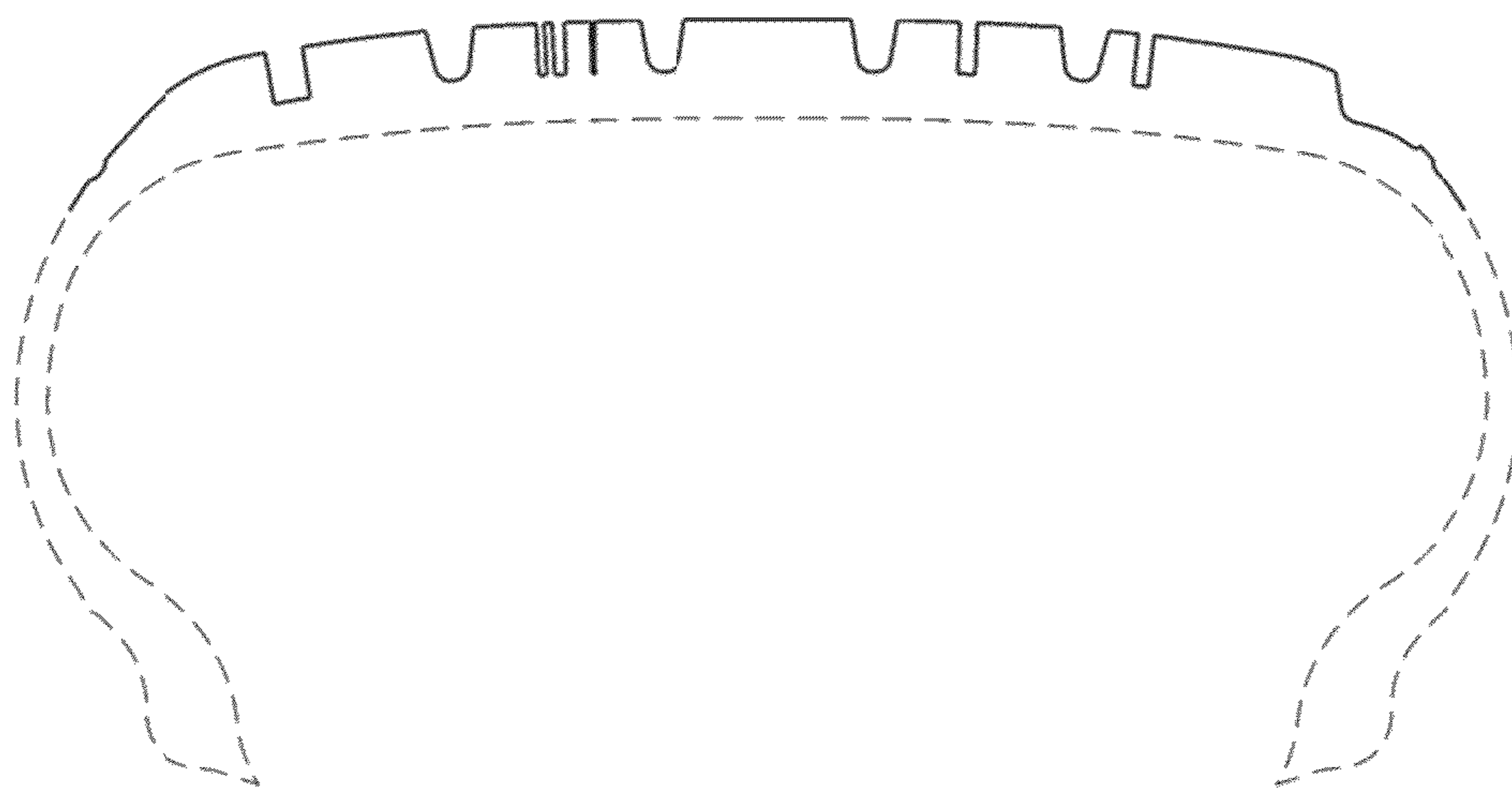


FIG. 7