

US00D693288S

(12) **United States Design Patent**
Martinez

(10) **Patent No.:** **US D693,288 S**

(45) **Date of Patent:** **** Nov. 12, 2013**

(54) **FLEXIBLE TRUCK BED COVER**

(71) Applicant: **Sergio Martinez**, Escondido, CA (US)

(72) Inventor: **Sergio Martinez**, Escondido, CA (US)

(**) Term: **14 Years**

(21) Appl. No.: **29/435,887**

(22) Filed: **Oct. 30, 2012**

(51) **LOC (9) Cl.** **12-16**

(52) **U.S. Cl.**
USPC **D12/401**

(58) **Field of Classification Search**

USPC D12/401-405; 160/370.21, 370.22,
160/370.23; 280/770; 150/158, 165-167;
296/98, 100.01-100.18, 136.01,
296/136.05, 136.06, 136.07, 95.1, 77.1;
135/88.01, 95

See application file for complete search history.

(56) **References Cited**

U.S. PATENT DOCUMENTS

D340,689 S * 10/1993 Wolcott et al. D12/404
D434,361 S * 11/2000 Block et al. D12/401

D513,226 S * 12/2005 Sancer D12/401
D584,677 S * 1/2009 Jones D12/401
D620,877 S * 8/2010 Rusher et al. D12/401
D638,343 S * 5/2011 Kramer D12/403
2009/0102227 A1* 4/2009 Herndon 296/100.06
2010/0327618 A1* 12/2010 Soldatelli 296/100.1

* cited by examiner

Primary Examiner — Katrina A Betton

(74) *Attorney, Agent, or Firm* — Steven W. Webb

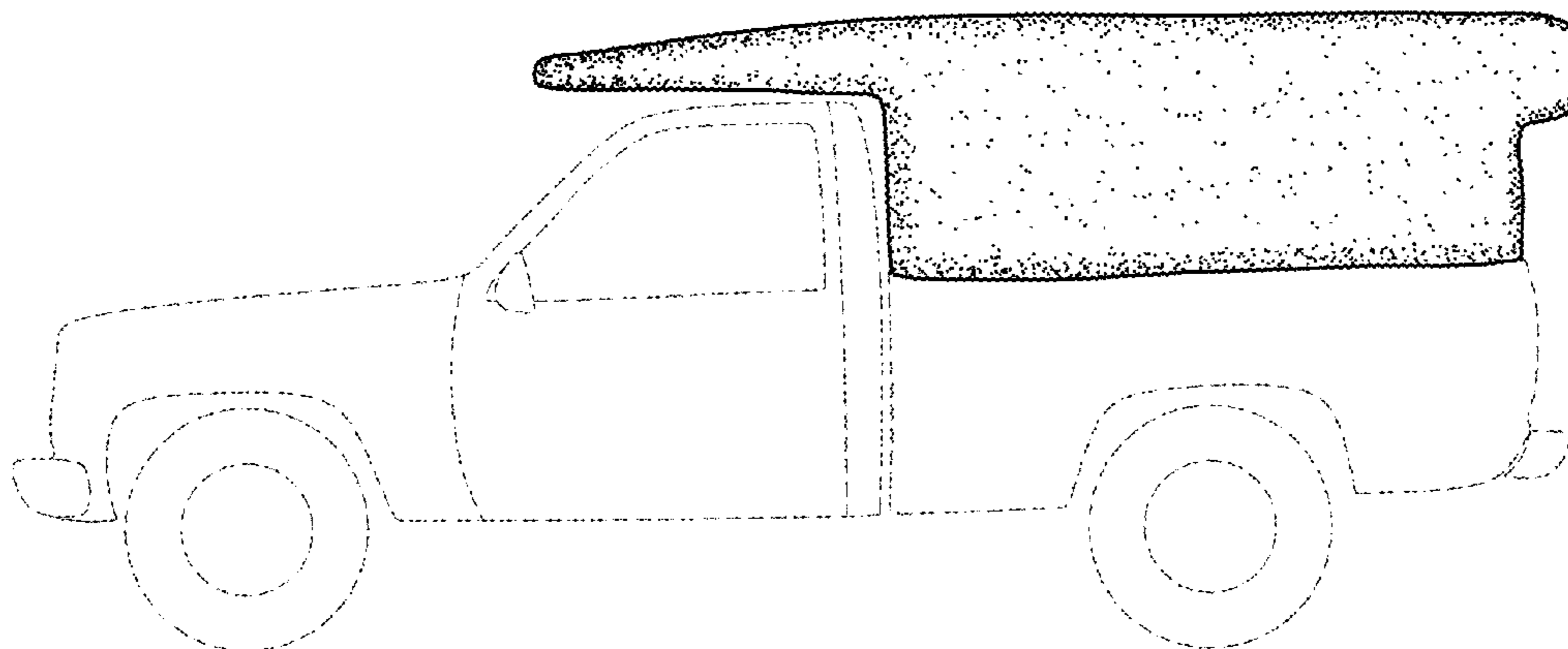
(57) **CLAIM**

I claim the ornamental design for a flexible truck bed cover, as shown and described.

DESCRIPTION

FIG. 1 is a perspective view of the flexible truck bed cover.
FIG. 2 is a side view of the flexible truck bed cover.
FIG. 3 is the front view of the flexible truck bed cover.
FIG. 4 is the rear view of the flexible truck bed cover; and,
FIG. 5 is the top view of the flexible truck bed cover.

1 Claim, 3 Drawing Sheets



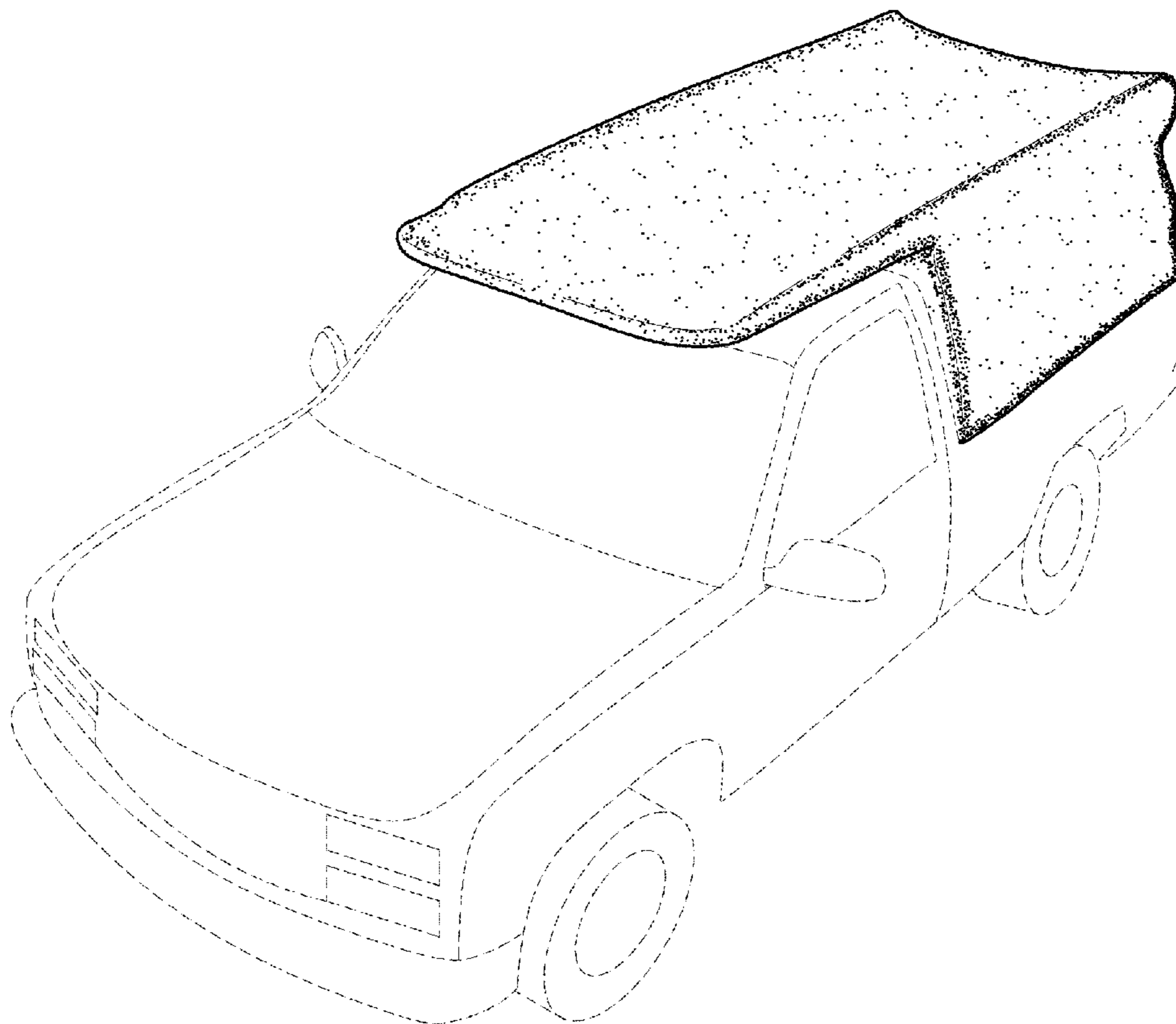


FIG. 1

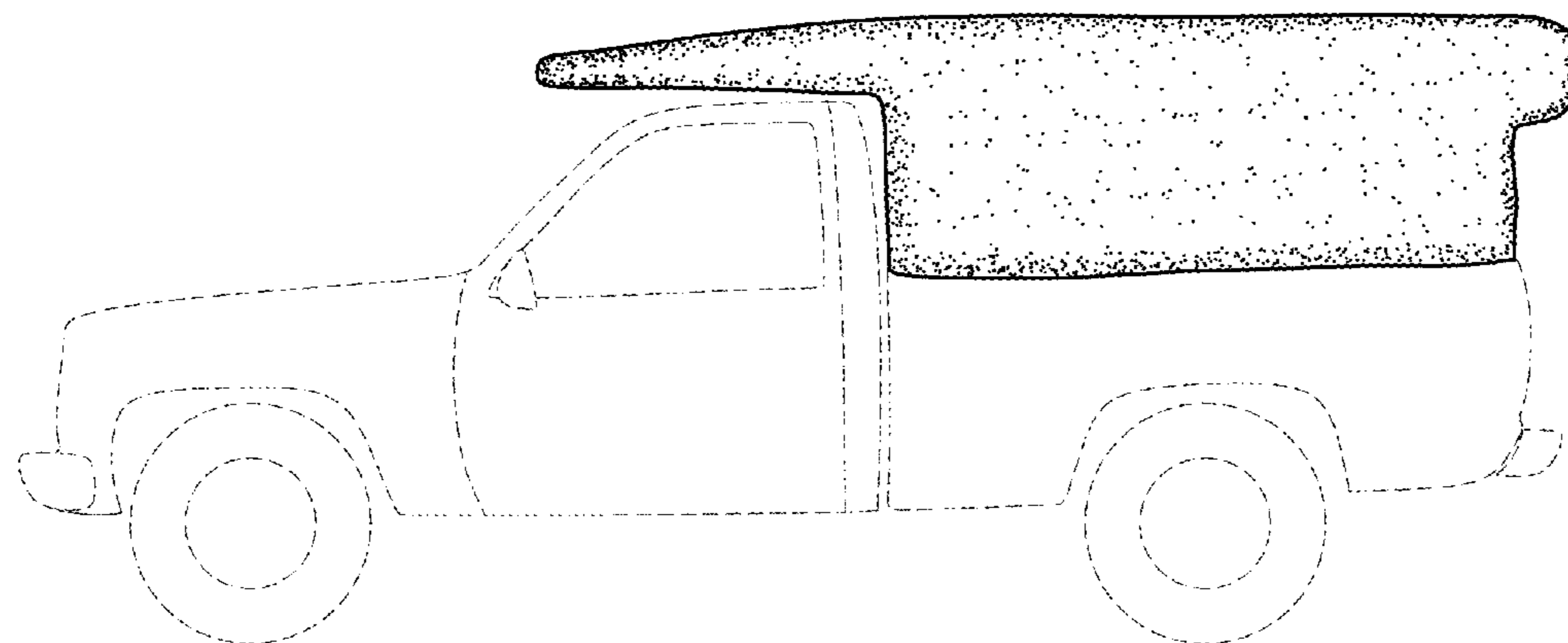


FIG. 2

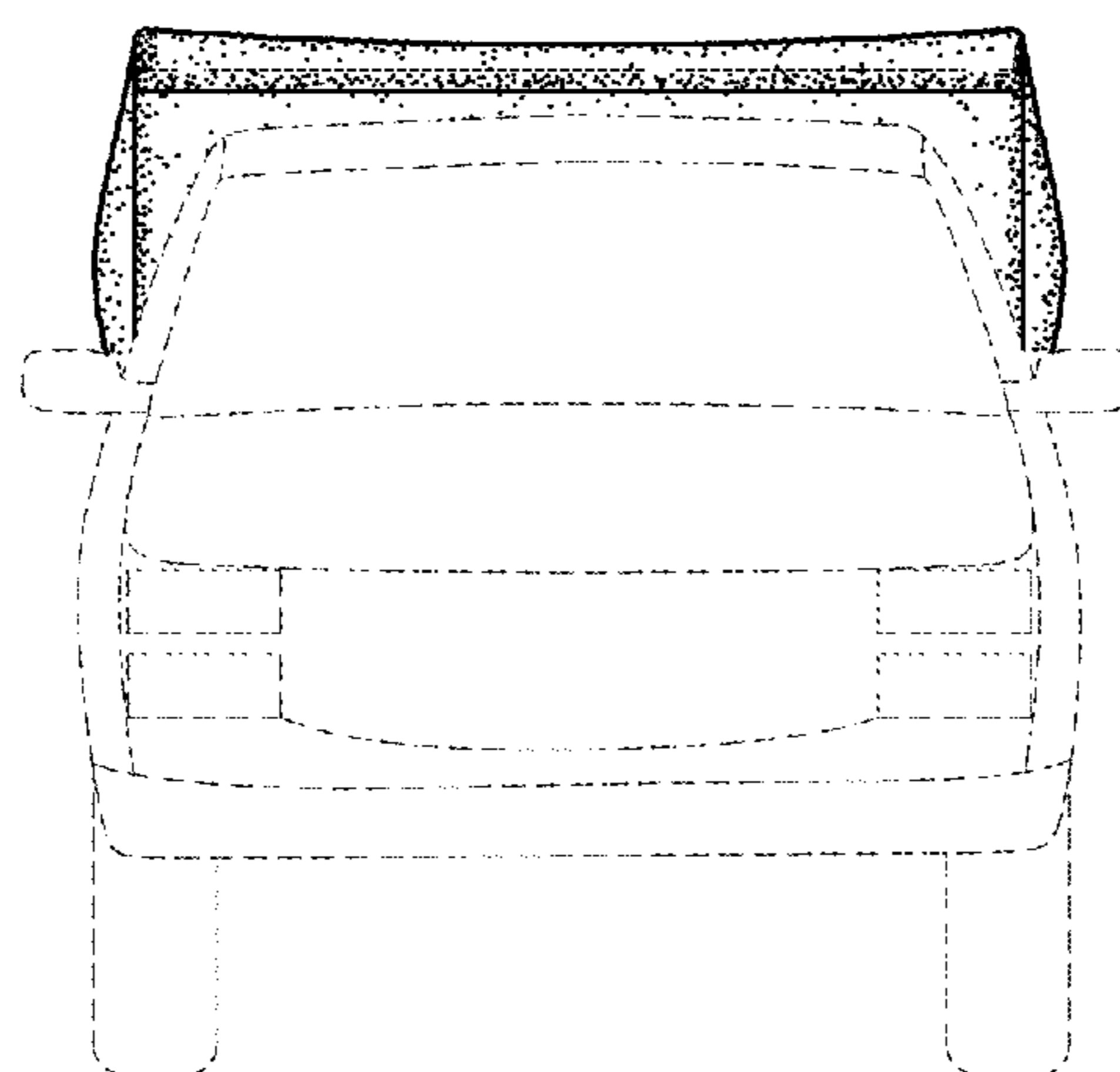


FIG. 3

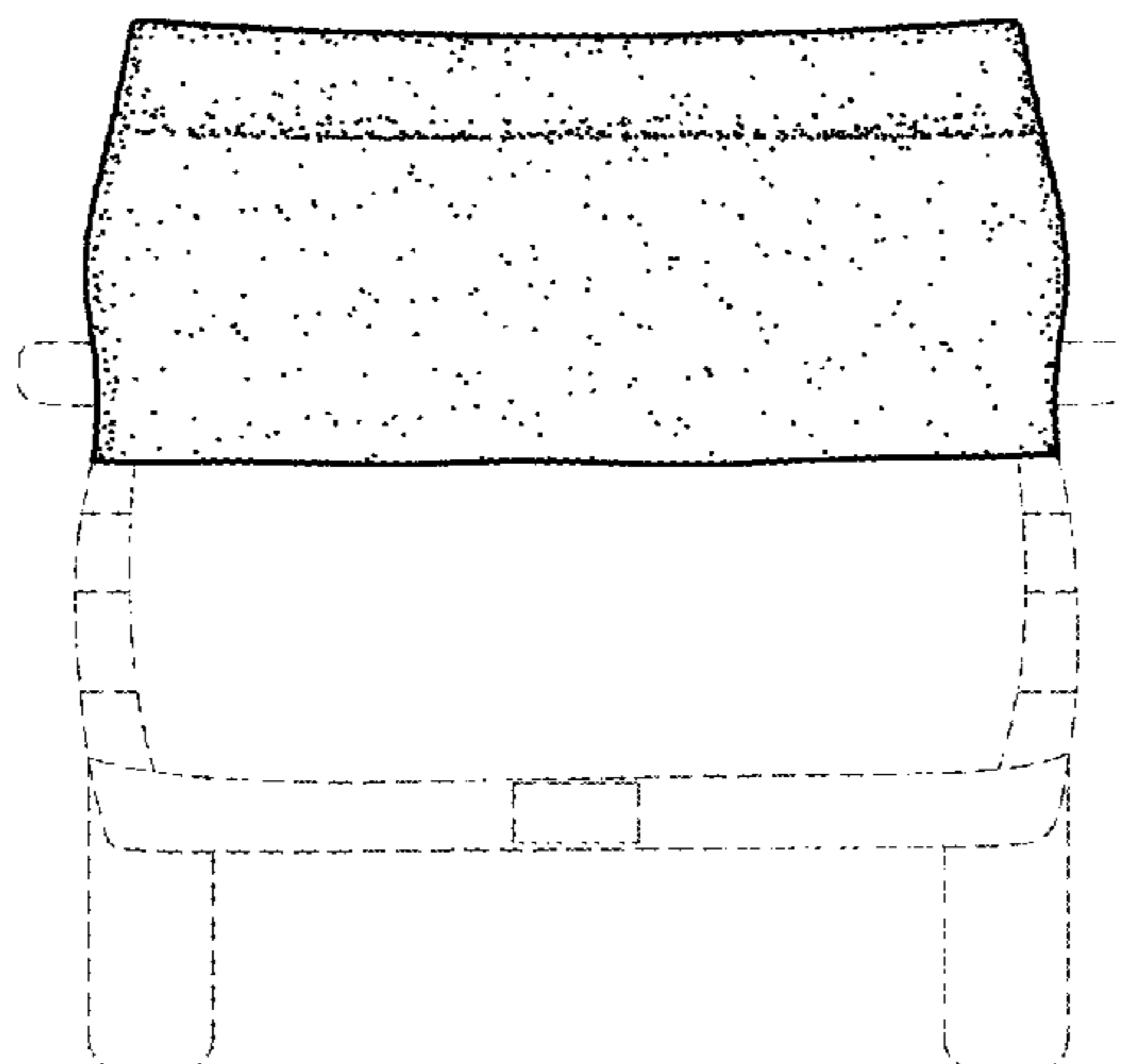


FIG. 4

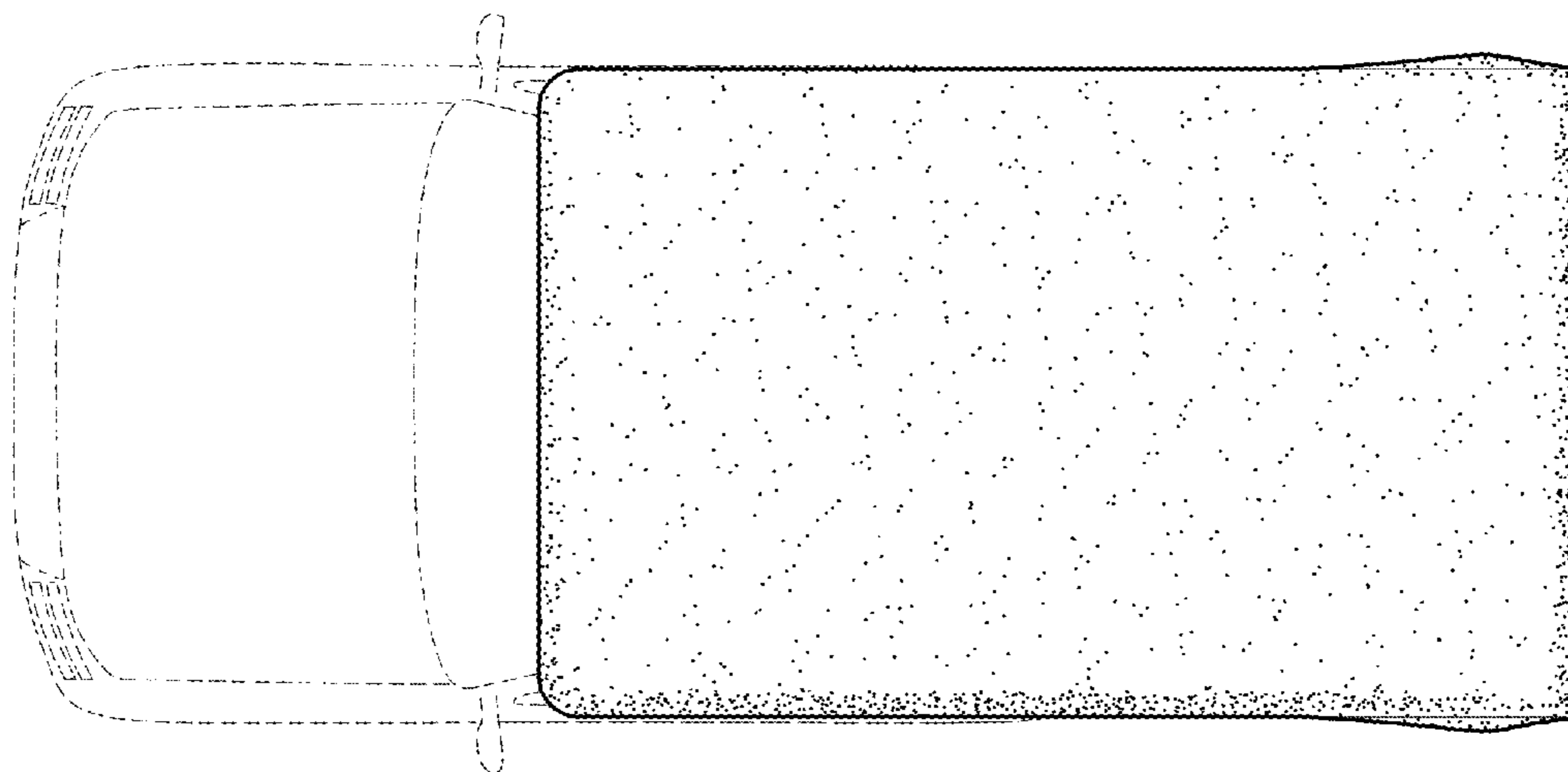


FIG. 5