



US00D693287S

(12) **United States Design Patent**
Yates et al.

(10) **Patent No.:** **US D693,287 S**
(45) **Date of Patent:** **** Nov. 12, 2013**

- (54) **HELICOPTER PEDALS**
- (75) Inventors: **Travis Lee Yates**, Lakeside, TX (US);
Bradley Don Linton, Mansfield, TX (US)
- (73) Assignee: **Bell Helicopter Textron Inc.**, Fort Worth, TX (US)
- (**) Term: **14 Years**
- (21) Appl. No.: **29/413,141**
- (22) Filed: **Feb. 10, 2012**
- (51) **LOC (9) Cl.** **12-07**
- (52) **U.S. Cl.**
USPC **D12/345**
- (58) **Field of Classification Search**
USPC D12/319, 326-329, 331-334, 337-339,
D12/344, 345, 400, 415, 423-425, 192, 174,
D12/125, 133; D14/405, 412-416;
D21/324, 333, 477, 566, 430,
D21/436-453; 273/148 B; 244/2, 5, 6, 7 C,
244/7 A, 7 R, 8, 12.1, 12.2, 12.3, 12.4,
244/17.11, 17.13, 17.19, 17.23, 17.25,
244/17.27, 60, 99.1, 117 R, 118.5, 119, 221,
244/223, 229, 234, 235, 50, 75.1, 190;
74/471 XY, 491; 280/1.12; 318/574,
318/585; 345/156, 161; 463/36-38; 701/4;
434/50, 51; 296/75; 446/7
See application file for complete search history.

3,489,376	A *	1/1970	Steffen et al.	244/50
3,526,043	A *	9/1970	Frasca	434/51
4,386,914	A *	6/1983	Dustman	434/32
4,470,570	A *	9/1984	Sakurai et al.	244/235
4,848,708	A *	7/1989	Farrell et al.	244/235
4,961,548	A *	10/1990	Adams et al.	244/118.5
5,056,742	A *	10/1991	Sakurai	244/235
5,121,889	A *	6/1992	Carey, Jr.	244/234
5,878,981	A *	3/1999	Dewey	244/190
D479,167	S *	9/2003	Faust et al.	D12/174
H2206	H *	12/2007	Milgram	244/75.1
7,644,893	B2 *	1/2010	Boczar et al.	244/235
7,690,604	B2 *	4/2010	Christensen et al.	244/235
7,806,372	B2 *	10/2010	Boczar et al.	244/223
7,874,526	B2 *	1/2011	Boczar et al.	244/235
2011/0062740	A1 *	3/2011	Billescas	296/75

* cited by examiner

Primary Examiner — Caron D Veynar
Assistant Examiner — Martie K Holtje
(74) *Attorney, Agent, or Firm* — Baker Botts L.L.P.

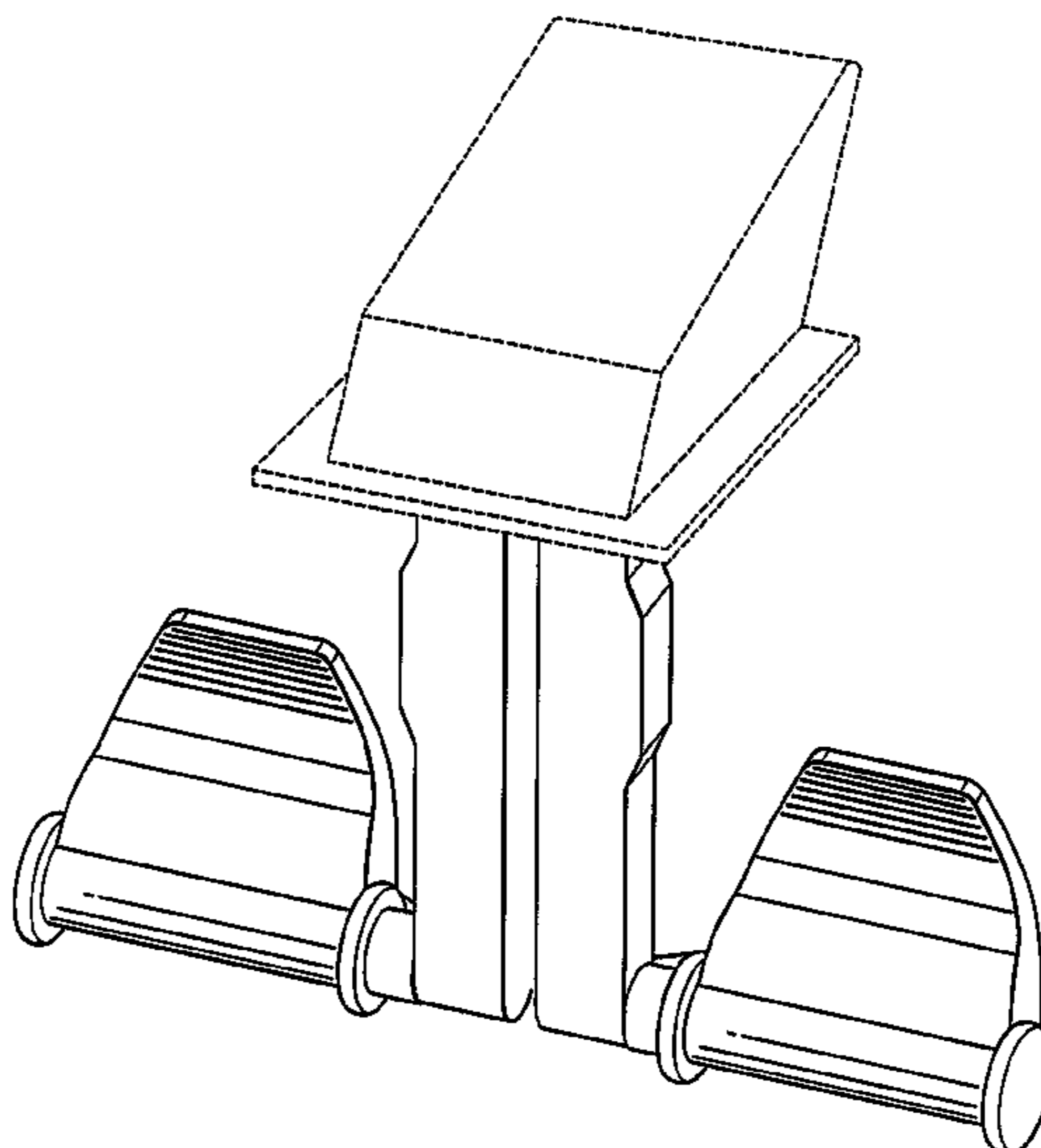
(57) **CLAIM**
The ornamental design for a helicopter pedals, as shown and described.

DESCRIPTION

FIG. 1 is a top, right front perspective view of the helicopter pedals showing our new design;
FIG. 2 is a front elevational view thereof;
FIG. 3 is a right side elevational view thereof;
FIG. 4 is a rear elevational view thereof;
FIG. 5 is a top plan view thereof; and,
FIG. 6 is a bottom plan view thereof.
The broken line showing of structural elements is included for the purpose of illustrating portions of the helicopter pedals that form no part of the claimed design.

1 Claim, 4 Drawing Sheets

- (56) **References Cited**
U.S. PATENT DOCUMENTS
1,844,607 A * 2/1932 Sikorsky 244/229
2,424,523 A * 7/1947 Watter 244/235
2,992,797 A * 7/1961 Visser 244/235



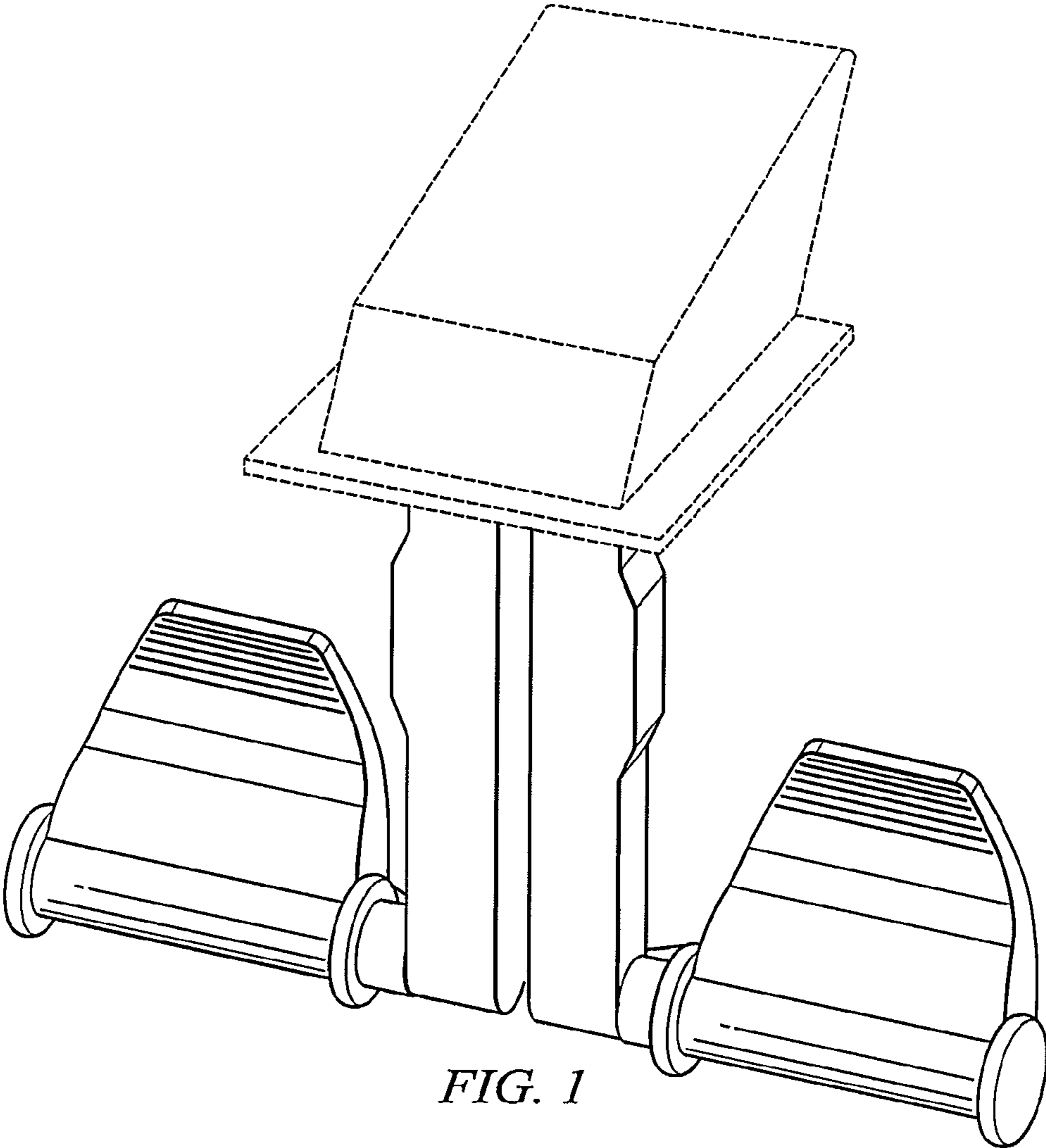


FIG. 1

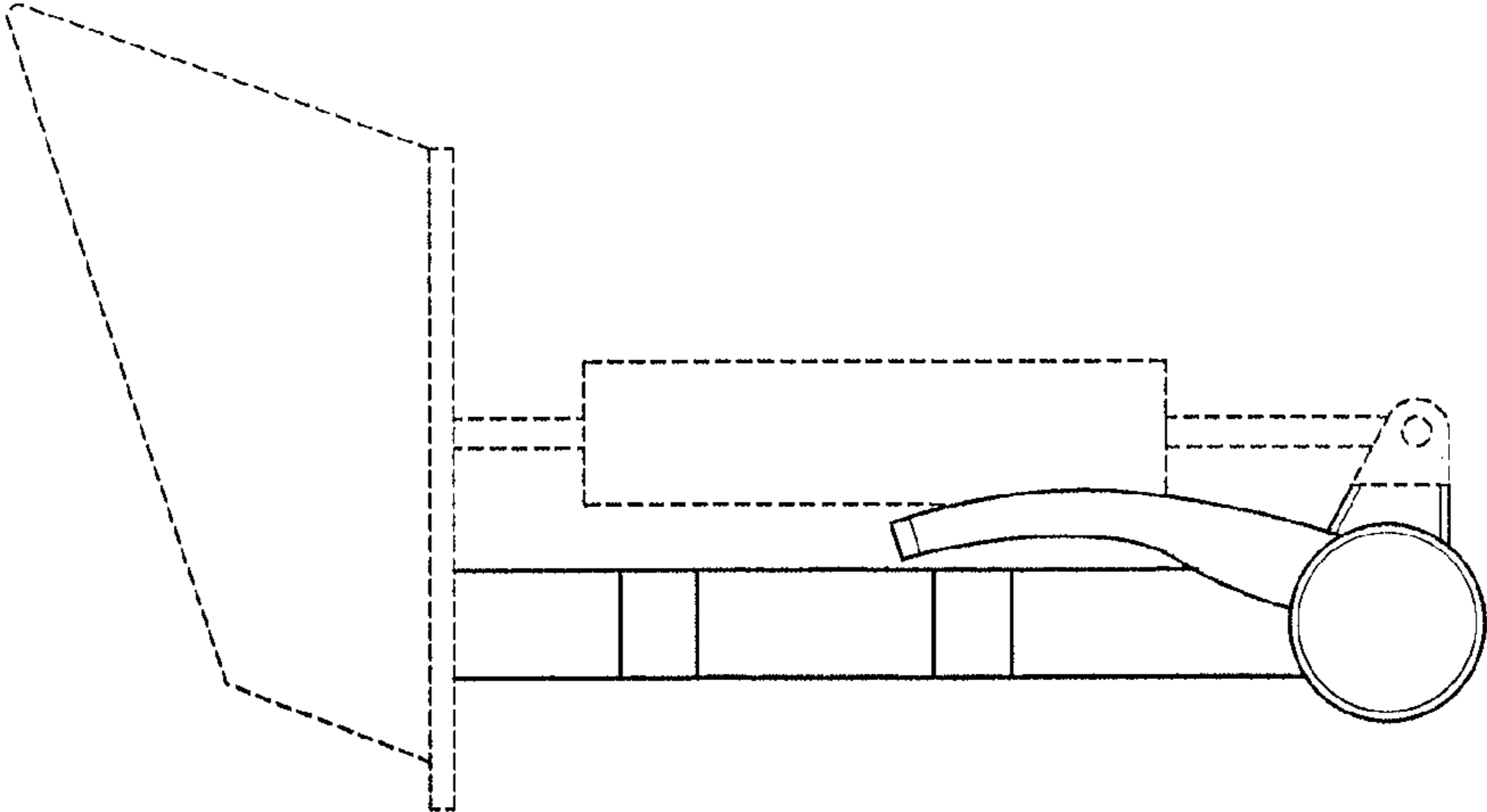


FIG. 3

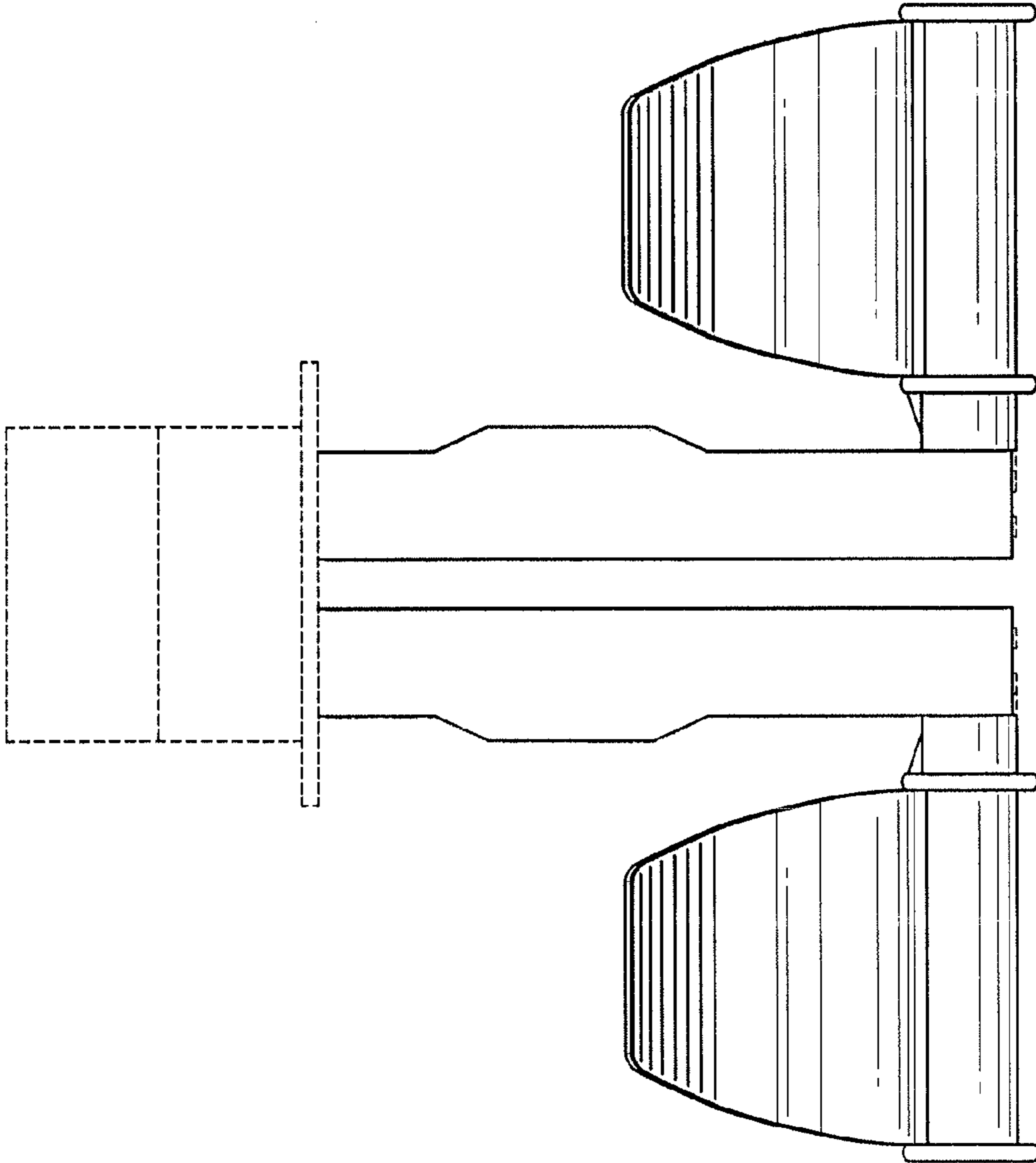


FIG. 2

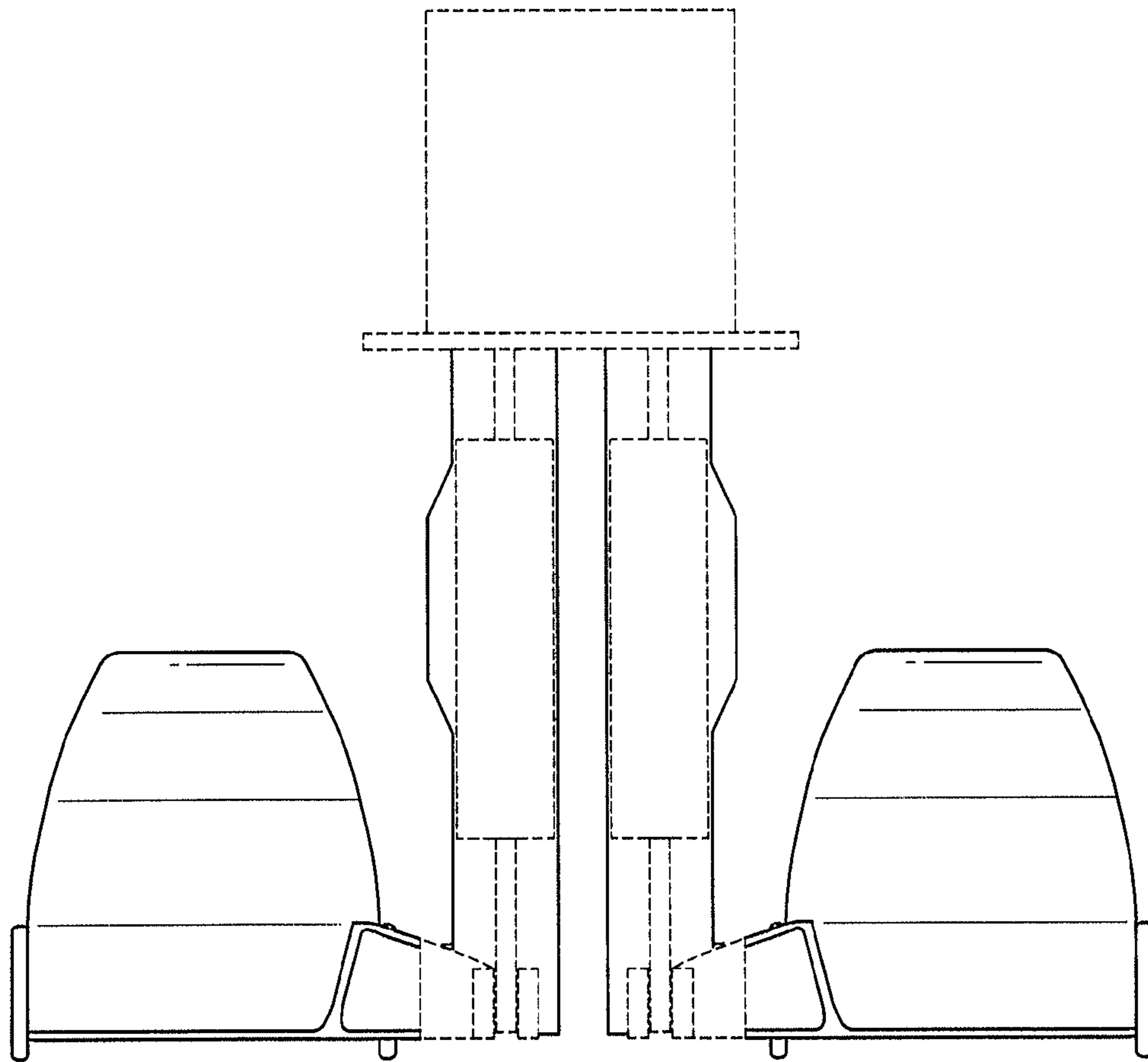


FIG. 4

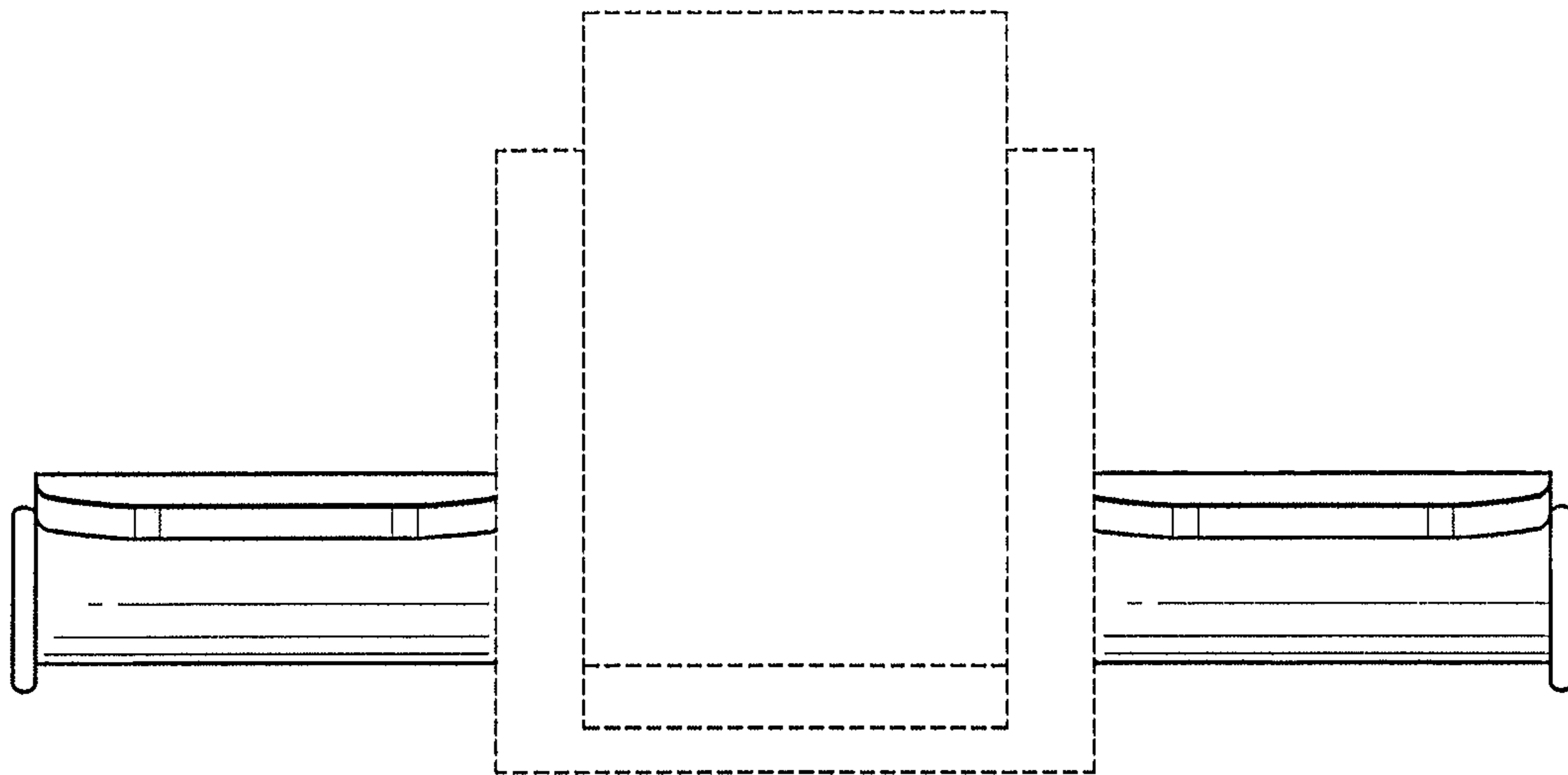


FIG. 5

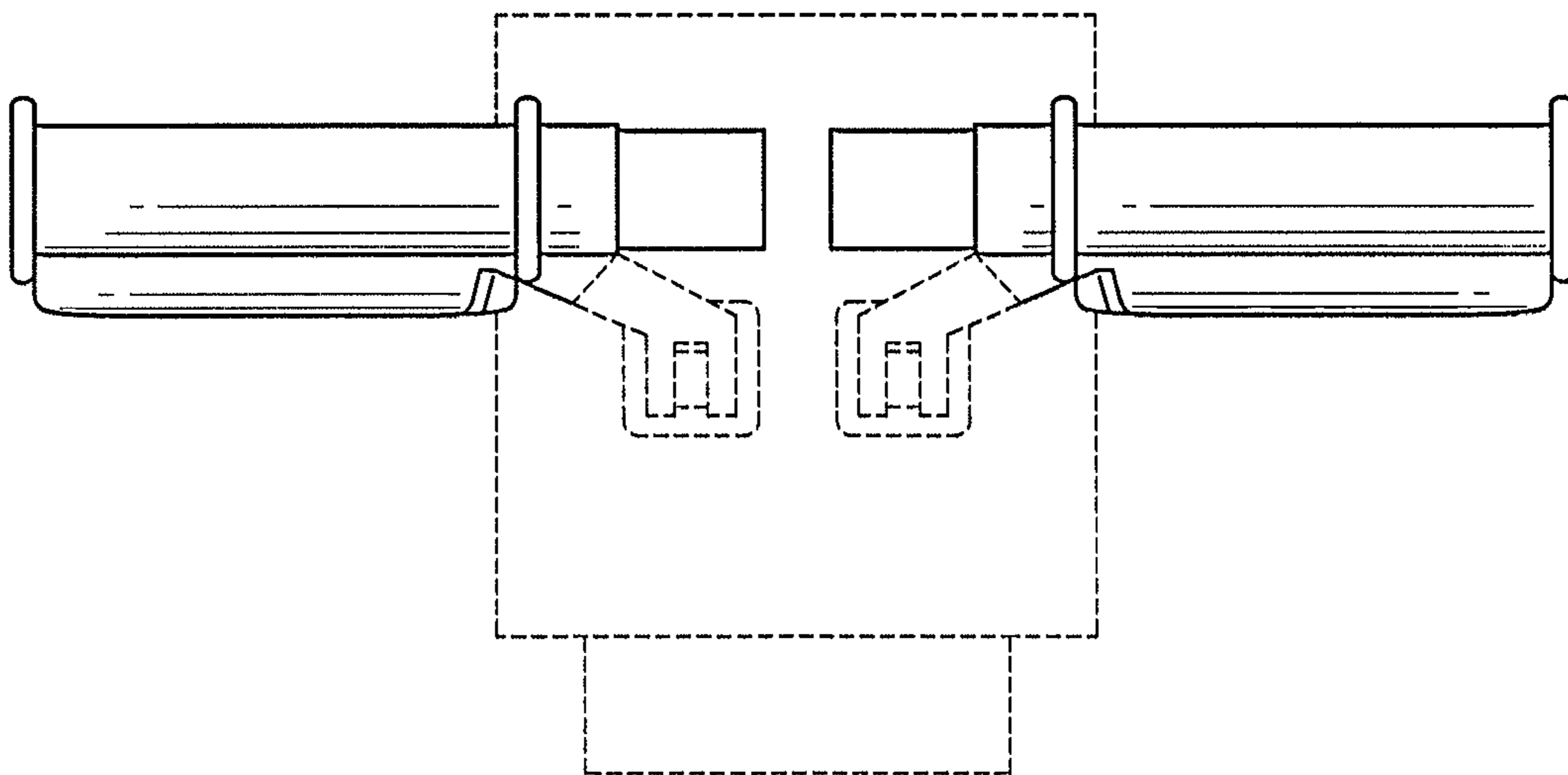


FIG. 6