



US00D693285S

(12) **United States Design Patent**
Hall

(10) **Patent No.:** **US D693,285 S**

(45) **Date of Patent:** **** Nov. 12, 2013**

(54) **PADDLE FOR WATER SPORTS**

(71) Applicant: **Peter Hall**, Steamboat Springs, CO (US)

(72) Inventor: **Peter Hall**, Steamboat Springs, CO (US)

(**) Term: **14 Years**

(21) Appl. No.: **29/446,771**

(22) Filed: **Feb. 27, 2013**

(51) **LOC (9) Cl.** **12-06**

(52) **U.S. Cl.**
USPC **D12/215**

(58) **Field of Classification Search**
USPC D12/215, 317; D21/804, 806, 807;
114/347; 416/69, 70 R, 71, 72, 74;
440/13, 15, 19, 101, 102, 110;
441/56-64

See application file for complete search history.

(56) **References Cited**

U.S. PATENT DOCUMENTS

2,347,475	A *	4/1944	Ford	416/72
D191,890	S *	12/1961	Clark et al.	D12/215
3,677,216	A *	7/1972	Gentemann	440/102
D244,680	S *	6/1977	Leidigh et al.	D12/215
4,061,106	A *	12/1977	Ware	440/101
4,133,285	A *	1/1979	Phillips	440/101
4,673,361	A *	6/1987	Harvey	440/101
4,701,142	A	10/1987	Merritt		
D320,375	S *	10/1991	Bruce	D12/215
D343,608	S *	1/1994	Nazara	D12/215
5,820,424	A *	10/1998	Steinhour et al.	440/101
5,851,132	A	12/1998	Merrill		
6,042,438	A	3/2000	Dean		
6,261,141	B1 *	7/2001	Heap	440/101

6,514,109	B1	2/2003	Carlow		
6,537,117	B1 *	3/2003	Larson et al.	440/101
6,568,971	B1 *	5/2003	Abbenhouse et al.	440/101
6,755,145	B2 *	6/2004	Bolebruch	114/347
6,796,862	B1 *	9/2004	Abbenhouse et al.	440/101
7,232,352	B2	6/2007	Splaine		
8,057,271	B2 *	11/2011	Hevesi et al.	440/101
8,100,733	B1 *	1/2012	Ross et al.	440/101
2011/0027101	A1	2/2011	Hartman		

* cited by examiner

Primary Examiner — Caron D Veynar

Assistant Examiner — Martie K Holtje

(74) *Attorney, Agent, or Firm* — Mark D. Trenner; Trenner Law Firm, LLC

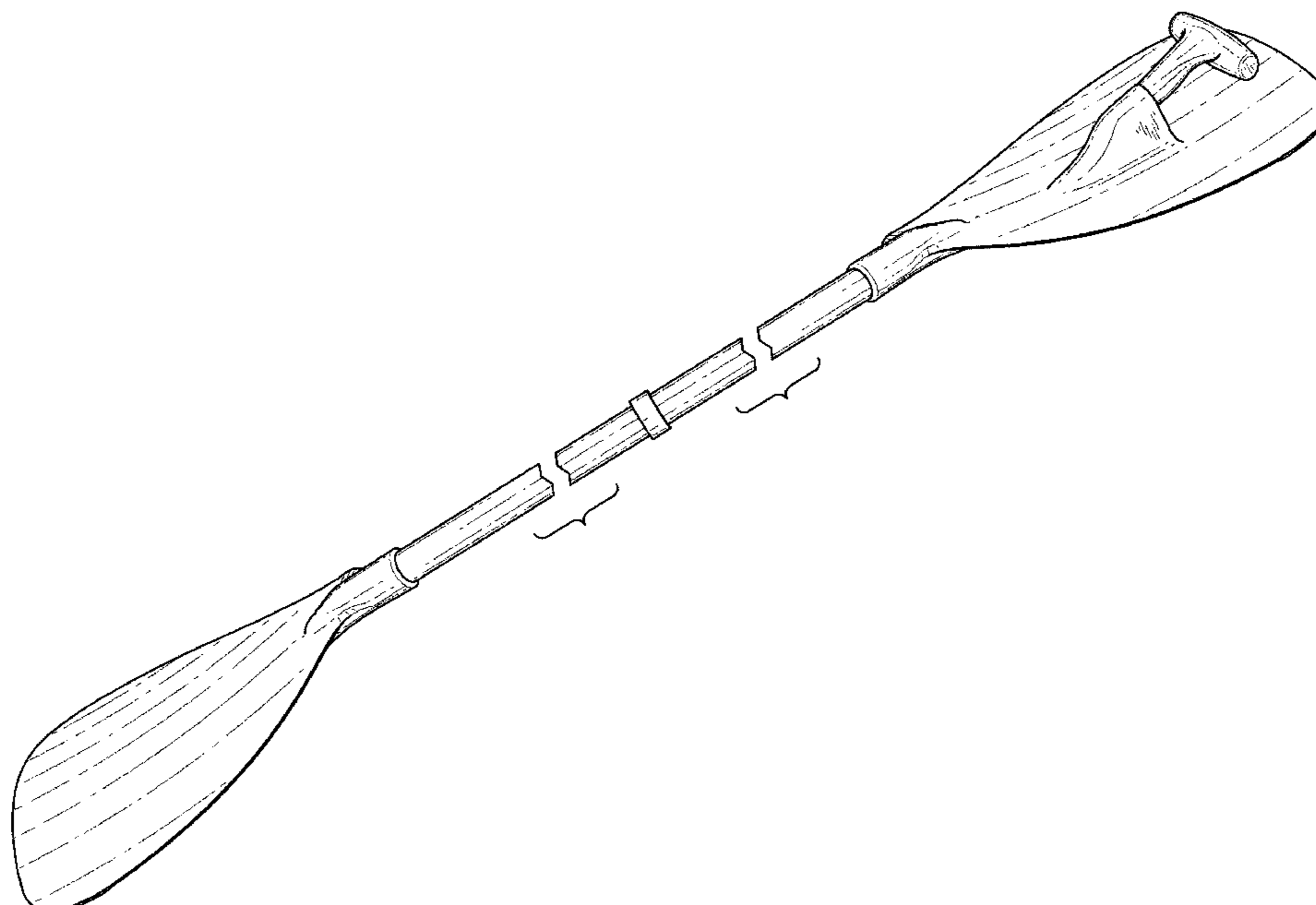
(57) **CLAIM**

The ornamental design for a paddle for water sports, as shown and described.

DESCRIPTION

FIG. 1 is a right front perspective view of a paddle for water sports showing my new design;
 FIG. 2 is a top plan view thereof;
 FIG. 3 is a bottom plan view thereof;
 FIG. 4 is a left side elevational view, the right side elevational view being a mirror image thereof;
 FIG. 5 is a rear elevational view thereof;
 FIG. 6 is a front elevational view thereof; and,
 FIG. 7 is an enlargement of the left blade shown in FIG. 4.
 FIGS. 1 and 4 through 6 have been shown with symbolic breaks in length, wherein the appearance of any portion between the break lines forms no part of the claimed design.

1 Claim, 3 Drawing Sheets



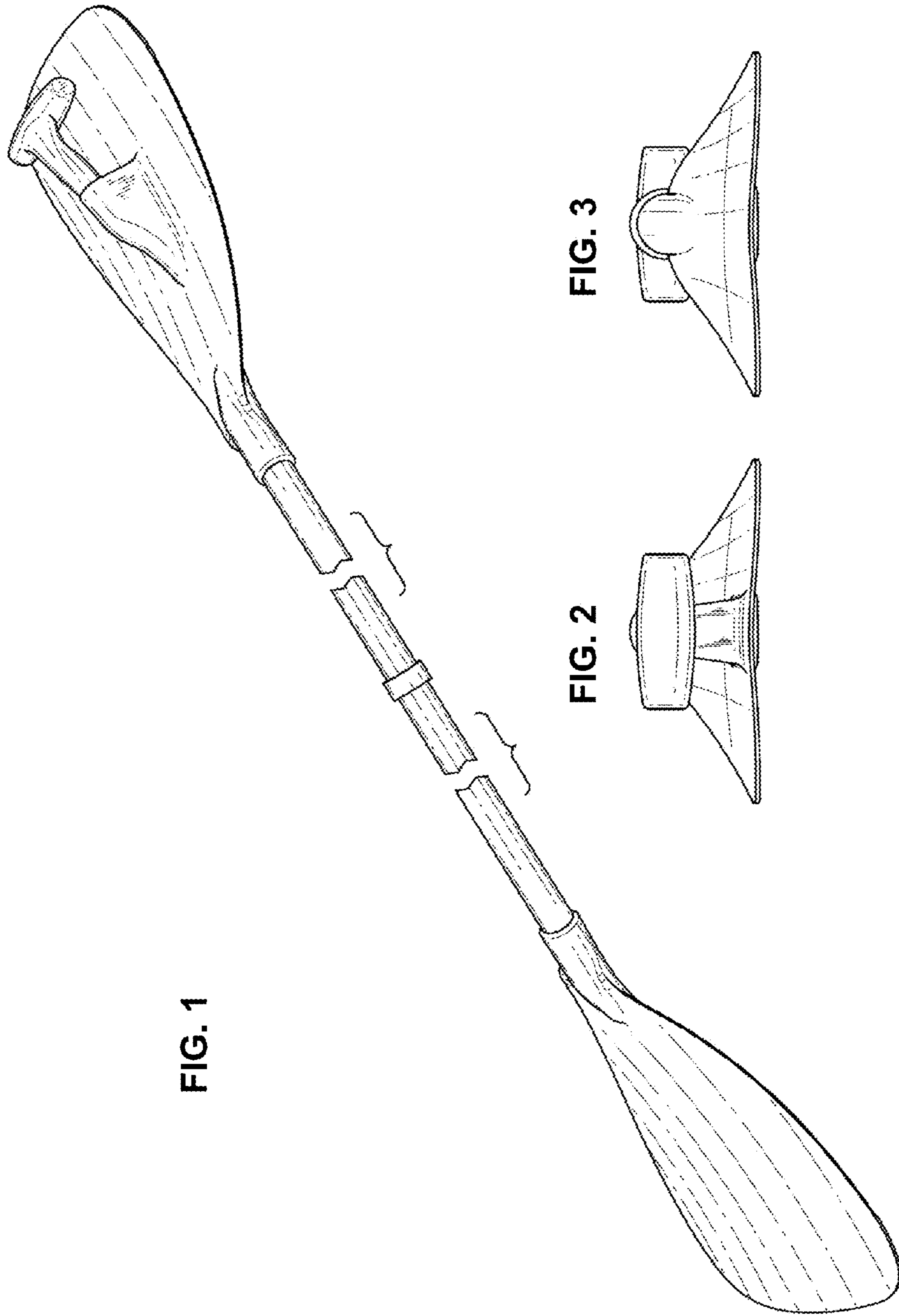


FIG. 1

FIG. 2

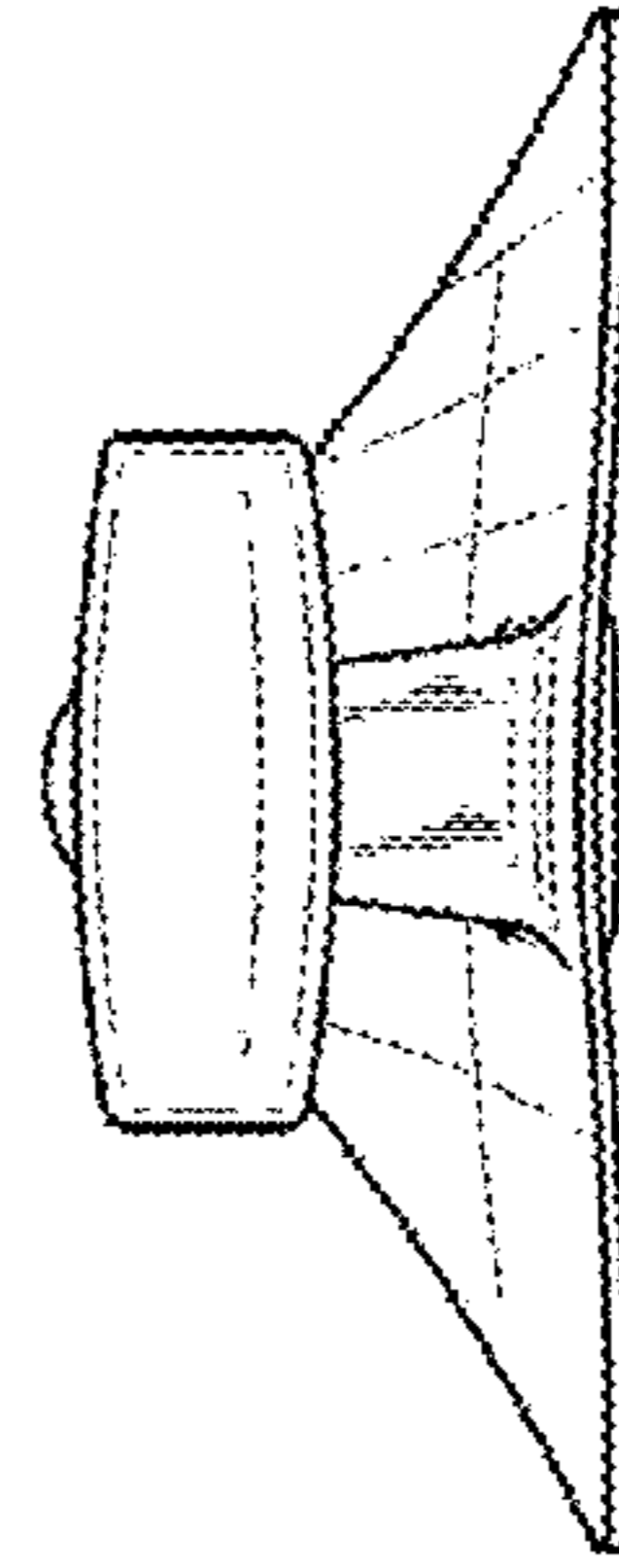


FIG. 3

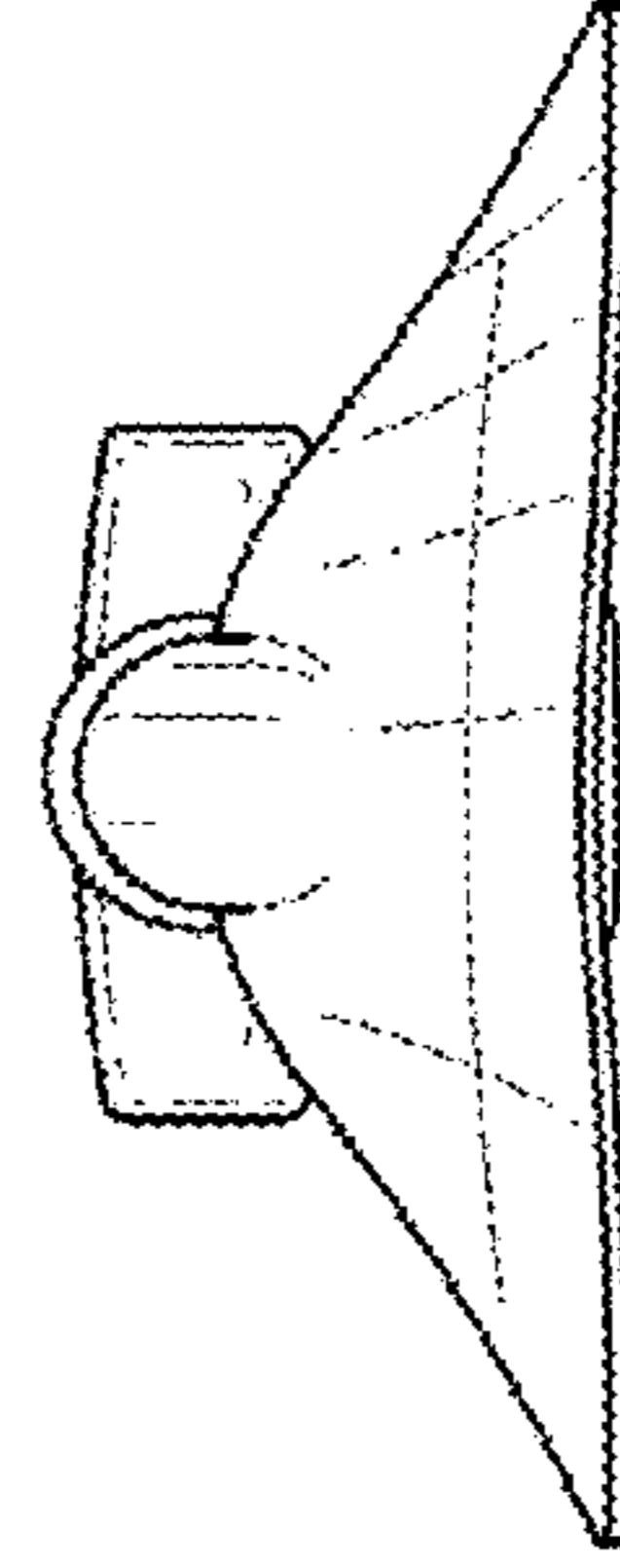


FIG. 4

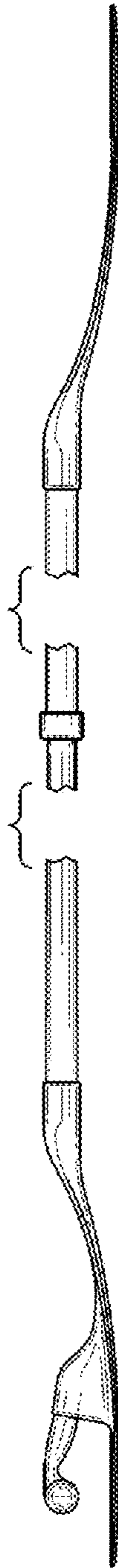


FIG. 5

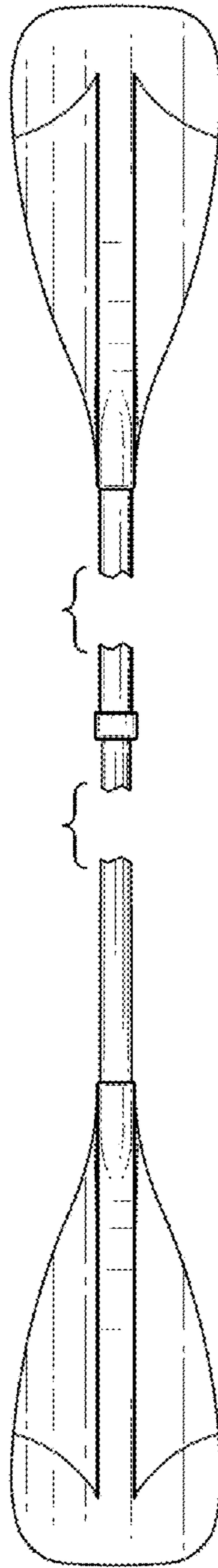
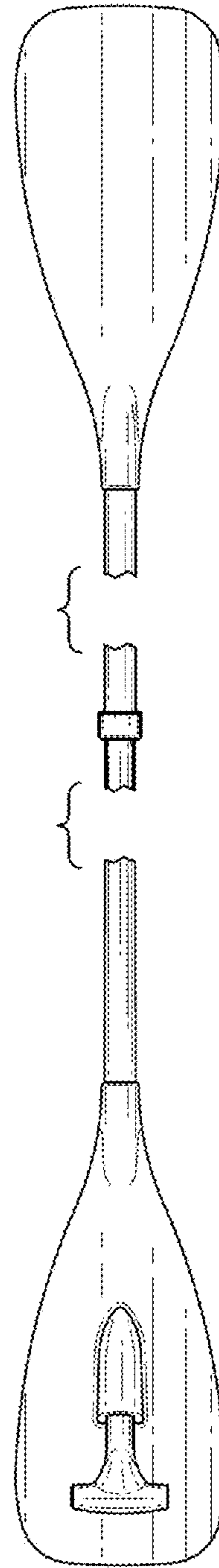


FIG. 6



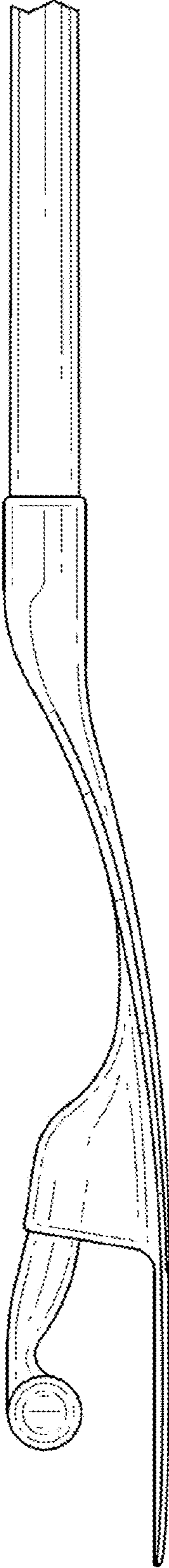


FIG. 7