



US00D693282S

(12) **United States Design Patent**  
**Ichikawa et al.**

(10) **Patent No.:** **US D693,282 S**  
(45) **Date of Patent:** **\*\* Nov. 12, 2013**

- (54) **WHEEL FOR MOTORCYCLE**
- (71) Applicant: **Kawasaki Jukogyo Kabushiki Kaisha, Hyogo (JP)**
- (72) Inventors: **Kazuhiro Ichikawa, Kobe (JP); Masato Kogirima, Kobe (JP)**
- (73) Assignee: **Kawasaki Jukogyo Kabushiki Kaisha, Hyogo (JP)**
- (\*\*) Term: **14 Years**
- (21) Appl. No.: **29/451,145**
- (22) Filed: **Mar. 28, 2013**
- (51) **LOC (9) Cl.** ..... **12-16**
- (52) **U.S. Cl.**  
USPC ..... **D12/209**
- (58) **Field of Classification Search**  
USPC ..... D12/204-213; 301/37.101, 64.101, 65, 301/64.201  
See application file for complete search history.

(56) **References Cited**

**U.S. PATENT DOCUMENTS**

- D453,013 S \* 1/2002 Cunningham ..... D12/209
- D455,701 S \* 4/2002 McMath ..... D12/209
- D491,125 S \* 6/2004 Rivers et al. .... D12/209

- D491,126 S \* 6/2004 Rivers et al. .... D12/209
- D492,635 S \* 7/2004 Mathis et al. .... D12/209
- D493,132 S \* 7/2004 Rivers et al. .... D12/209
- D497,340 S \* 10/2004 Anderson et al. .... D12/209
- D507,220 S \* 7/2005 Lucaora ..... D12/209
- D519,900 S \* 5/2006 Francis ..... D12/209
- D524,710 S \* 7/2006 Long ..... D12/209
- D533,496 S \* 12/2006 Bogani et al. .... D12/209
- D567,166 S \* 4/2008 Bogani ..... D12/209
- D572,184 S \* 7/2008 Takigawa et al. .... D12/209

\* cited by examiner

*Primary Examiner* — Stacia Cadmus

(74) *Attorney, Agent, or Firm* — Wenderoth, Lind & Ponack, L.L.P.

(57) **CLAIM**

The ornamental design for a wheel for motorcycle, as shown and described.

**DESCRIPTION**

FIG. 1 is a front perspective view of a wheel for motorcycle showing our new design;  
 FIG. 2 is a rear perspective view thereof;  
 FIG. 3 is a front elevational view thereof;  
 FIG. 4 is a rear elevational view thereof;  
 FIG. 5 is a left side view thereof;  
 FIG. 6 is a right side view thereof;  
 FIG. 7 is a top plan view thereof; and,  
 FIG. 8 is a bottom plan view thereof.

**1 Claim, 6 Drawing Sheets**

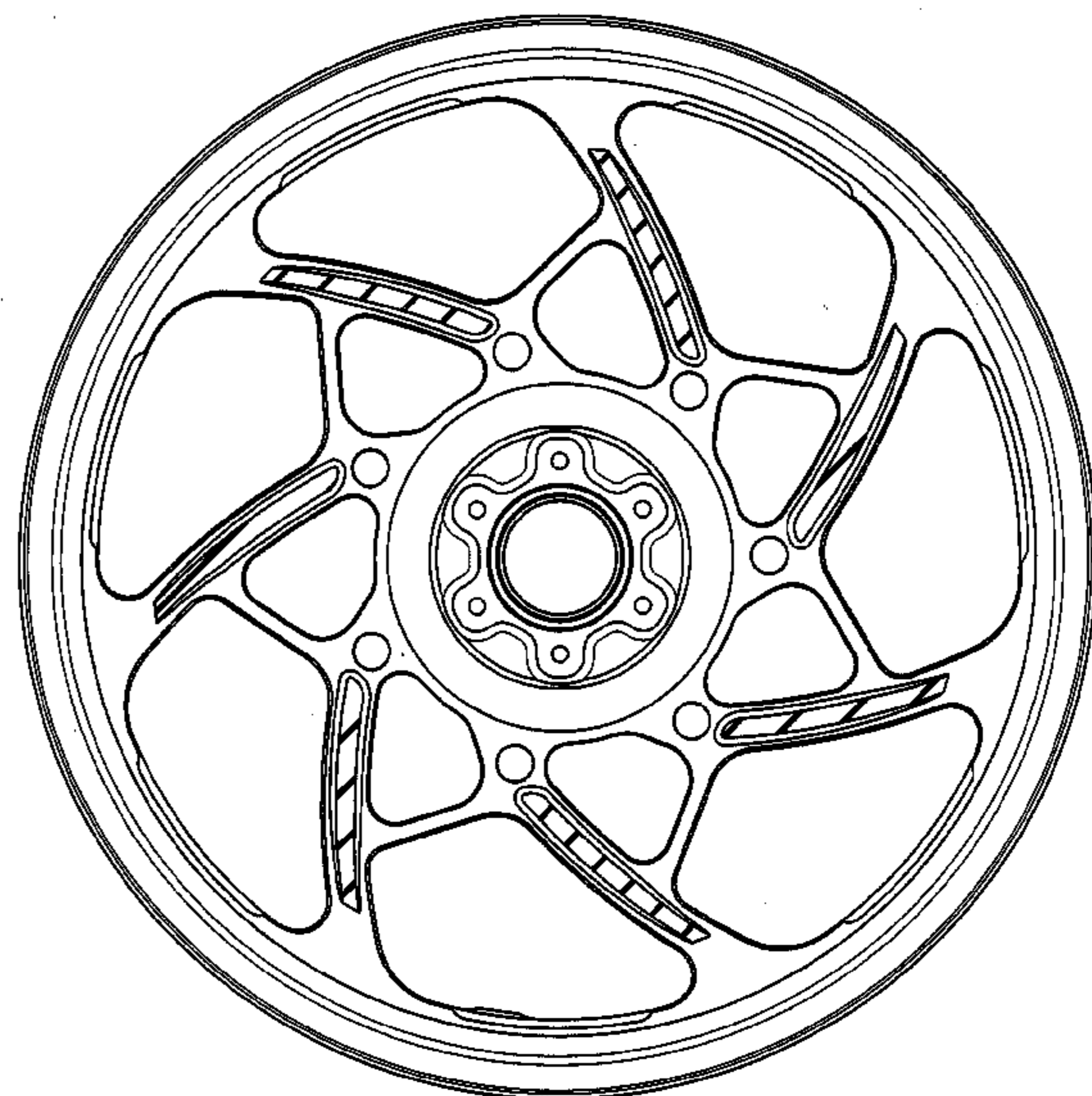
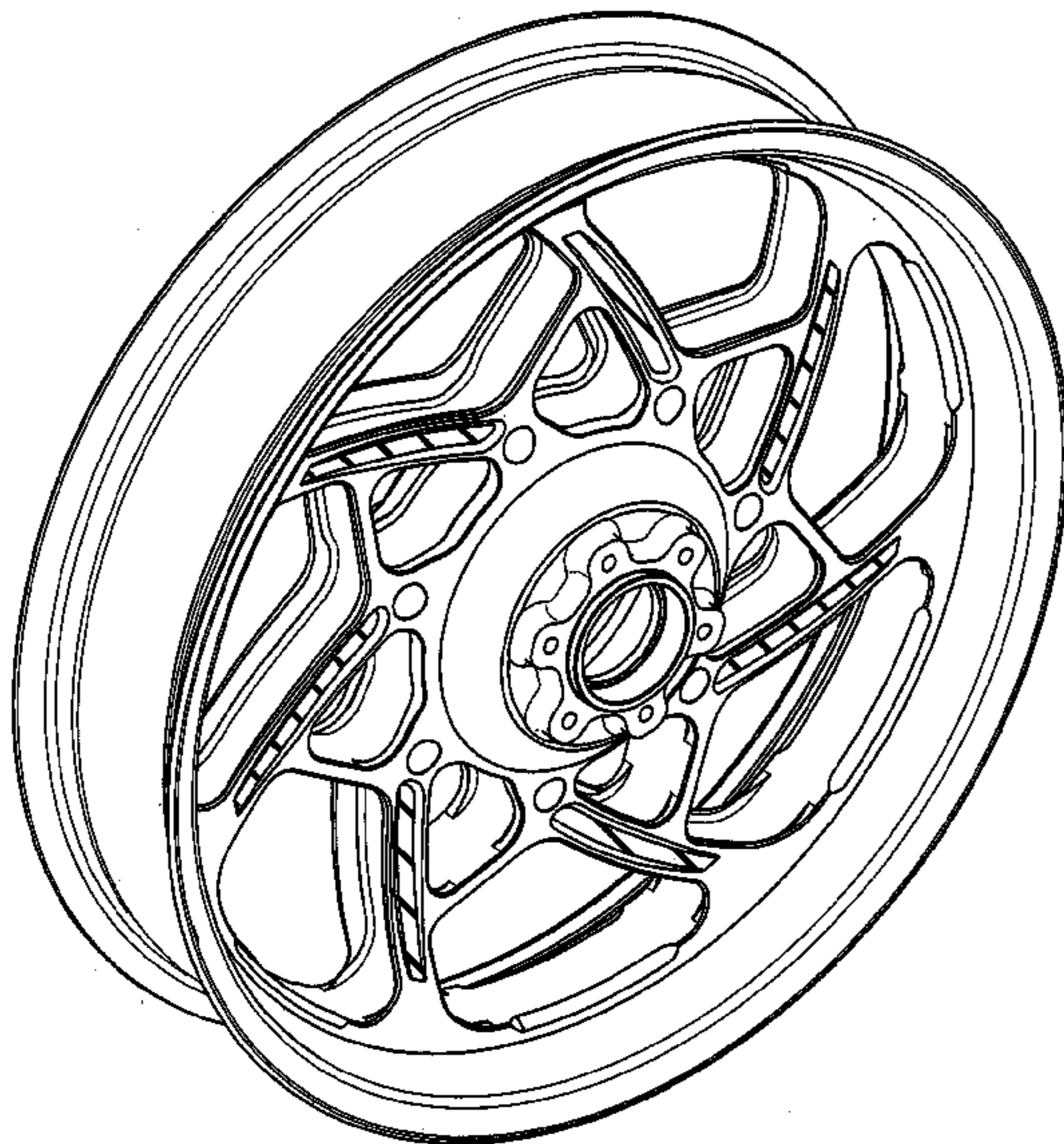


Fig. 1

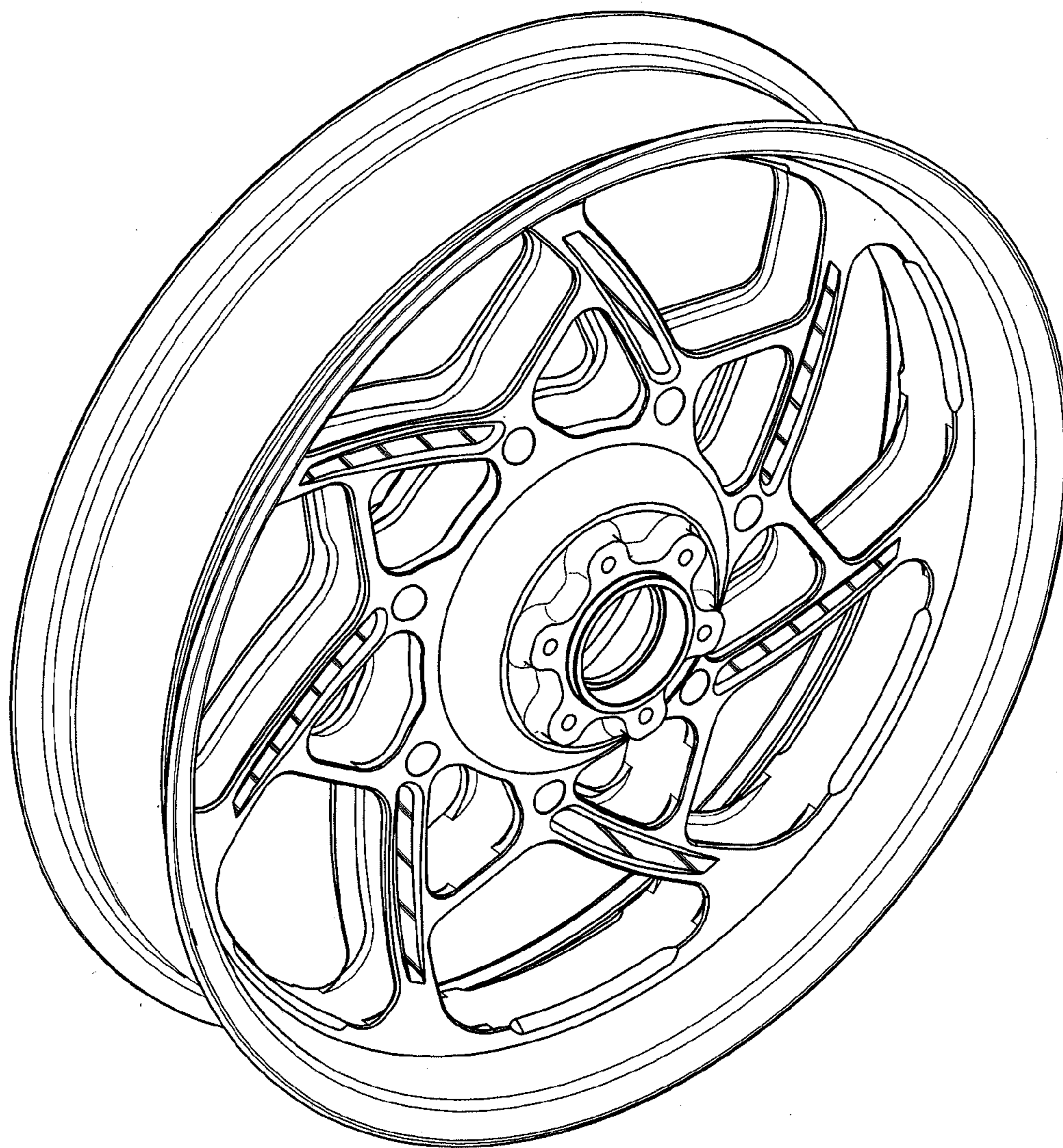


Fig. 2

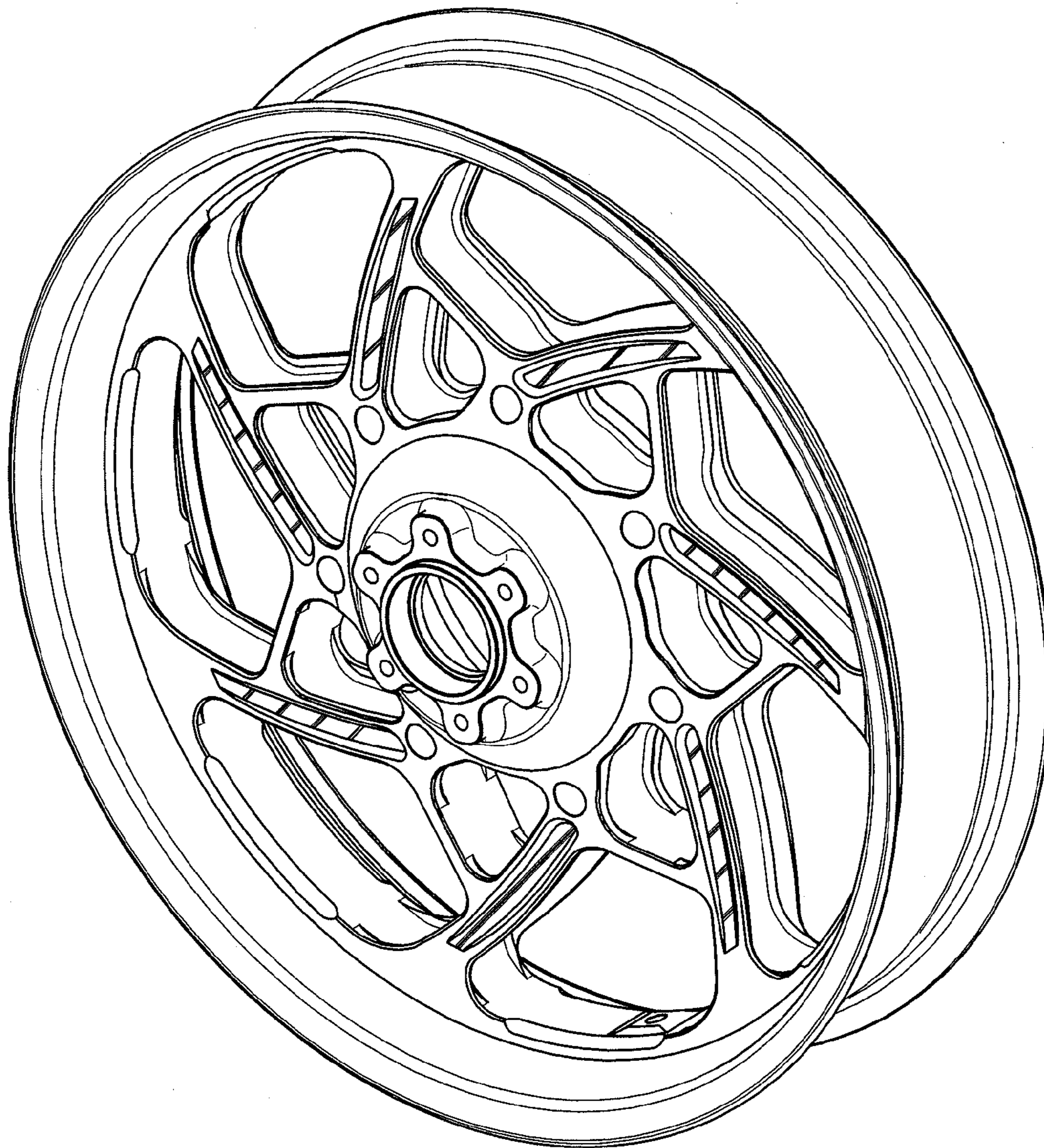


Fig. 3

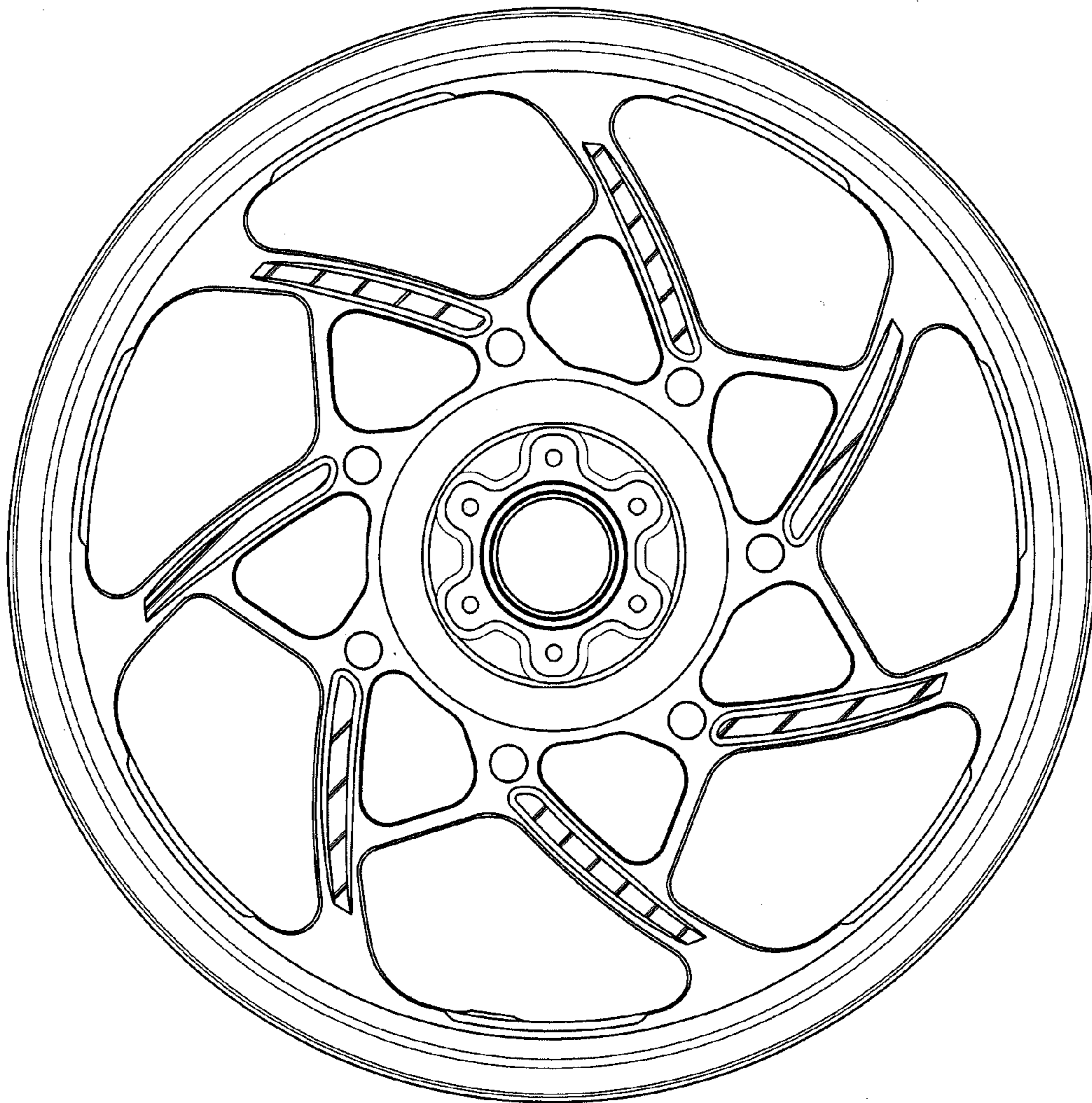


Fig. 4

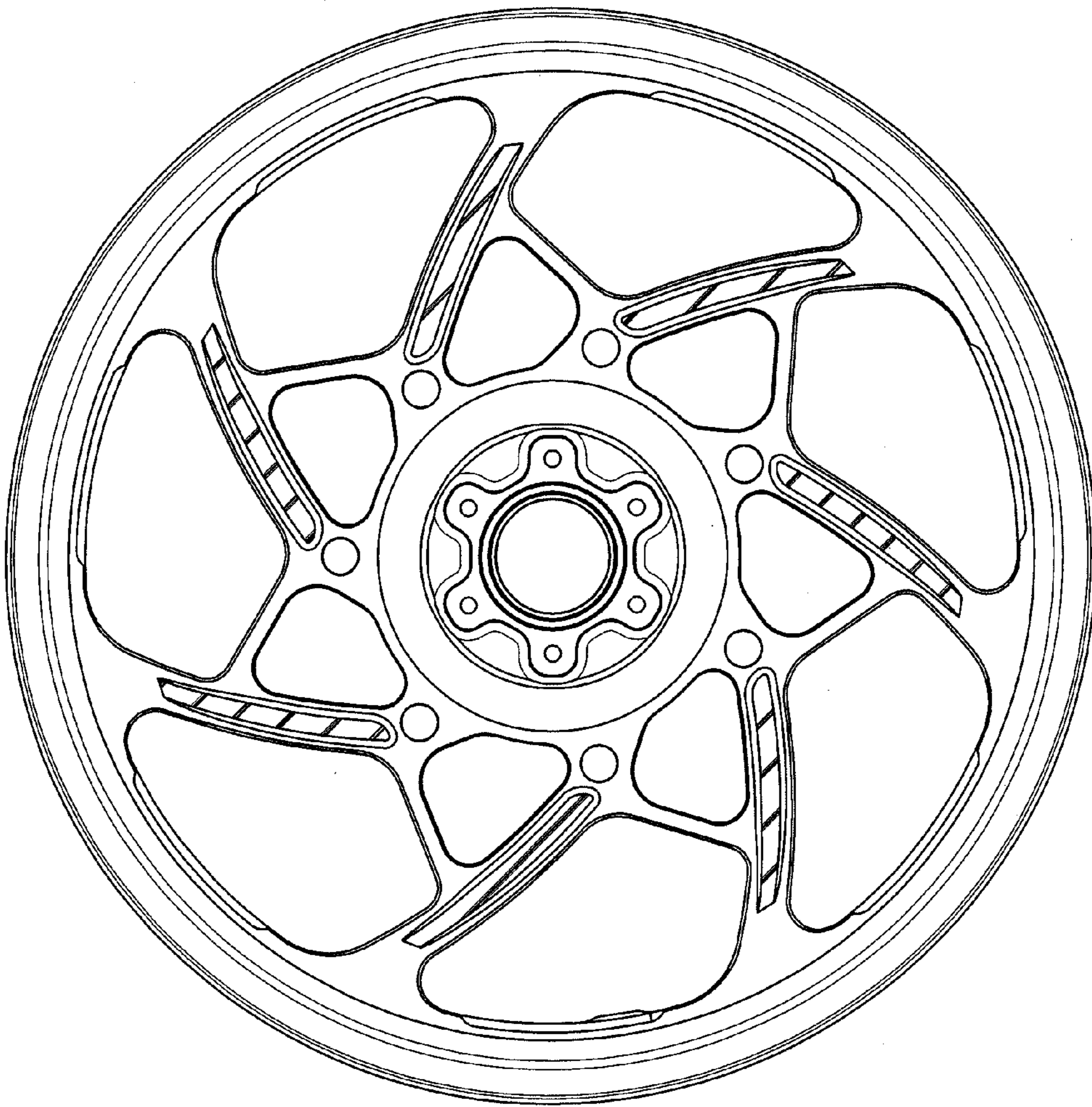


Fig. 5

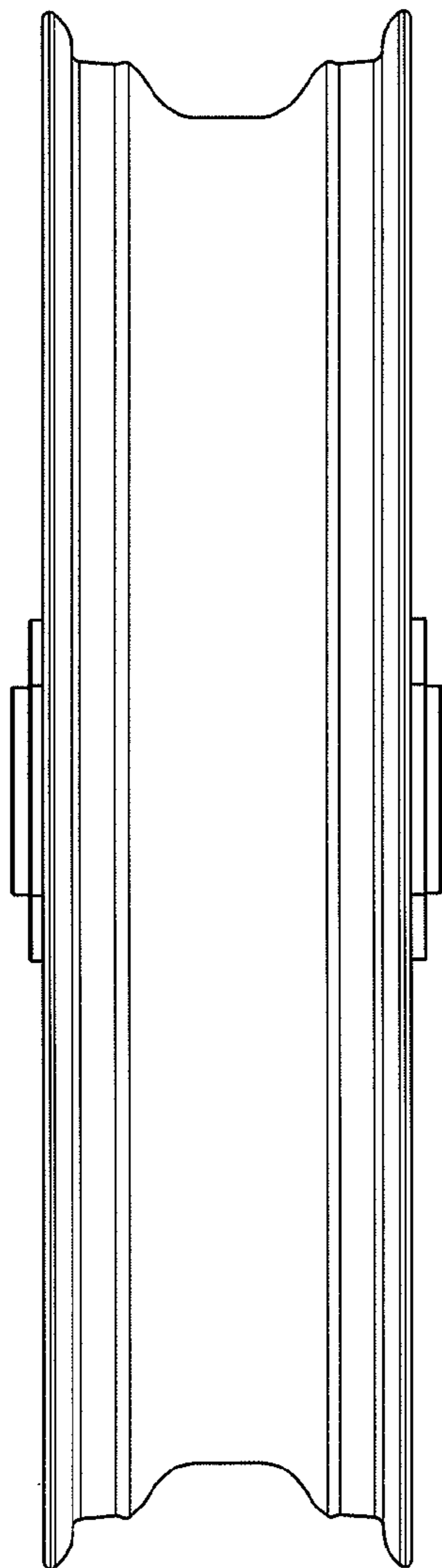


Fig. 6

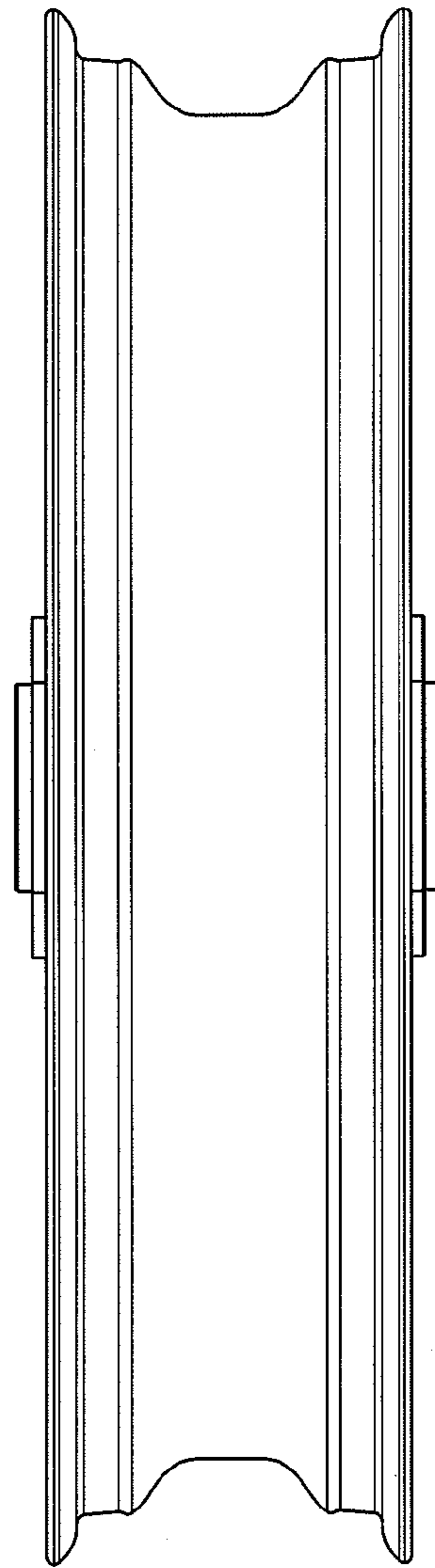


Fig. 7

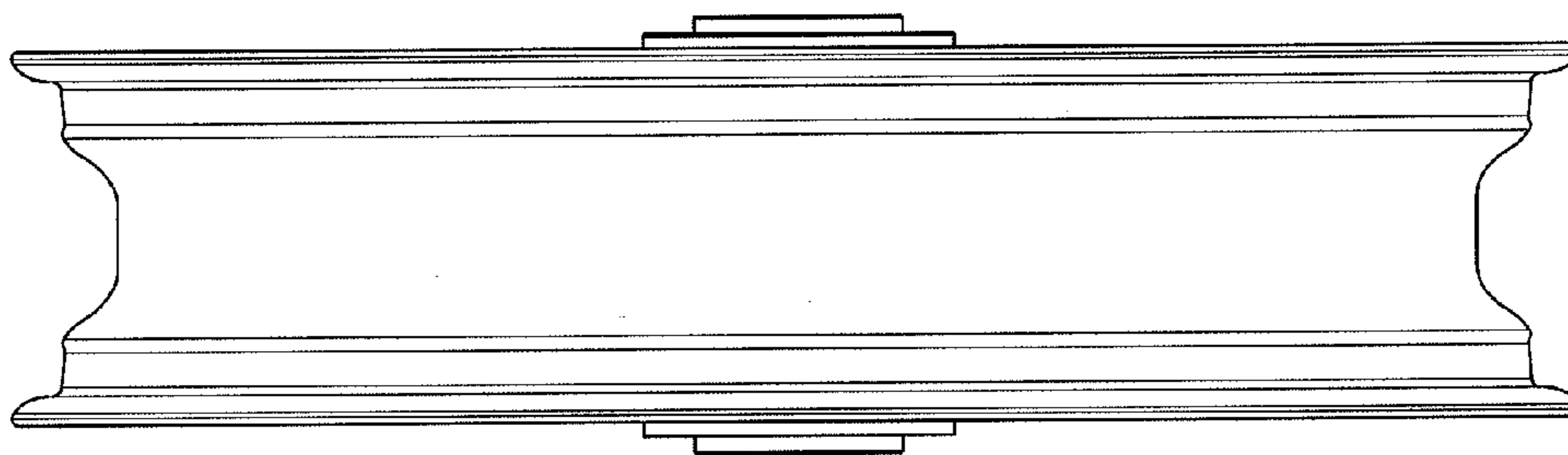


Fig. 8

