

US00D693281S

(12) **United States Design Patent**
Milbank

(10) **Patent No.:** **US D693,281 S**

(45) **Date of Patent:** **** Nov. 12, 2013**

(54) **TOWING MIRROR CLAMP**

(75) Inventor: **Frederick Nigel Milbank**, Milton Keynes (GB)

(73) Assignee: **Milenco Limited**, Milton Keynes, Buckinghamshire (GB)

(**) Term: **14 Years**

(21) Appl. No.: **29/390,537**

(22) Filed: **Apr. 26, 2011**

(30) **Foreign Application Priority Data**

| | | |
|--------------|------|---------|
| Mar. 5, 2011 | (GB) | 4019098 |
| Mar. 5, 2011 | (GB) | 4019099 |
| Mar. 5, 2011 | (GB) | 4019100 |

(51) **LOC (9) Cl.** **12-16**

(52) **U.S. Cl.**
USPC **D12/187**

(58) **Field of Classification Search**
USPC D12/187, 188–189; D6/300, 309;
359/838, 841, 842, 843, 844, 868, 871,
359/604, 881, 514, 866; 248/479–483,
248/475.1

See application file for complete search history.

(56) **References Cited**

U.S. PATENT DOCUMENTS

| | | | | |
|--------------|------|---------|-----------------|-----------|
| 4,991,814 | A * | 2/1991 | Schmidt et al. | 248/479 |
| 6,779,772 | B2 * | 8/2004 | De Leon | 248/476 |
| 6,953,437 | B1 * | 10/2005 | Reiffel | 600/549 |
| D575,709 | S * | 8/2008 | Scott | D12/187 |
| D575,710 | S * | 8/2008 | Zimmer et al. | D12/187 |
| D579,840 | S * | 11/2008 | Scott | D12/187 |
| D580,839 | S * | 11/2008 | Moran | D12/187 |
| D585,800 | S * | 2/2009 | Cheng | D12/187 |
| 7,621,555 | B2 * | 11/2009 | Wilkinson | 280/477 |
| D647,444 | S * | 10/2011 | Manukyan et al. | D12/187 |
| 2004/0135054 | A1 * | 7/2004 | De Leon | 248/475.1 |
| 2005/0237643 | A1 * | 10/2005 | Wu | 359/871 |

* cited by examiner

Primary Examiner — Katrina A Betton

(74) *Attorney, Agent, or Firm* — Burns & Levinson LLP; Bruce D. Jobse, Esq.

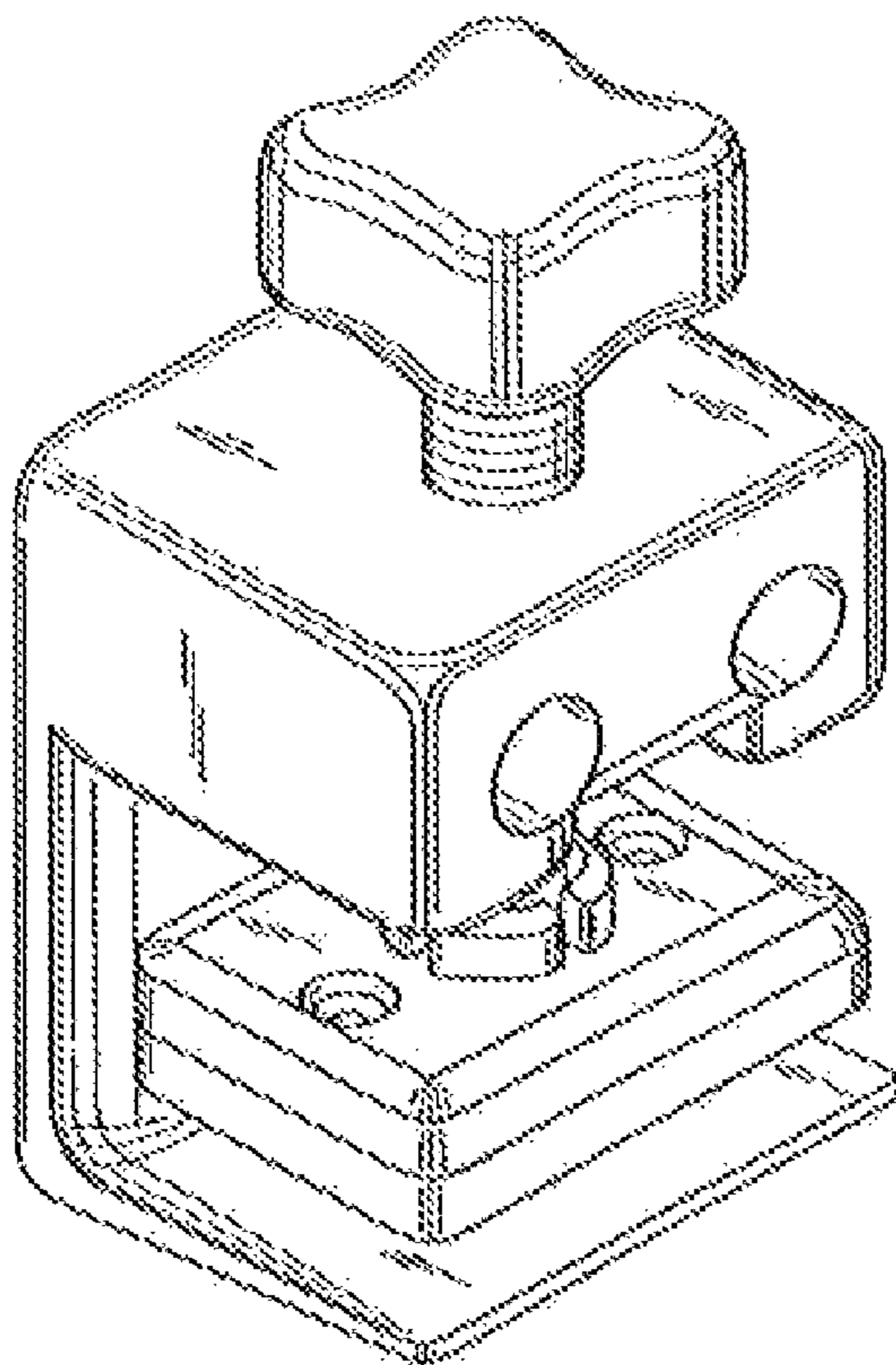
(57) **CLAIM**

The ornamental design for a towing mirror clamp, as shown.

DESCRIPTION

FIG. 1 is a front, top side, perspective view of the towing mirror clamp of the present invention; FIG. 2 is a rear, top side, perspective view of the towing mirror clamp shown in FIG. 1; FIG. 3 is a front view of the towing mirror clamp shown in FIG. 1; and, FIG. 4 is a rear view of the towing mirror clamp shown in FIG. 1.

1 Claim, 2 Drawing Sheets



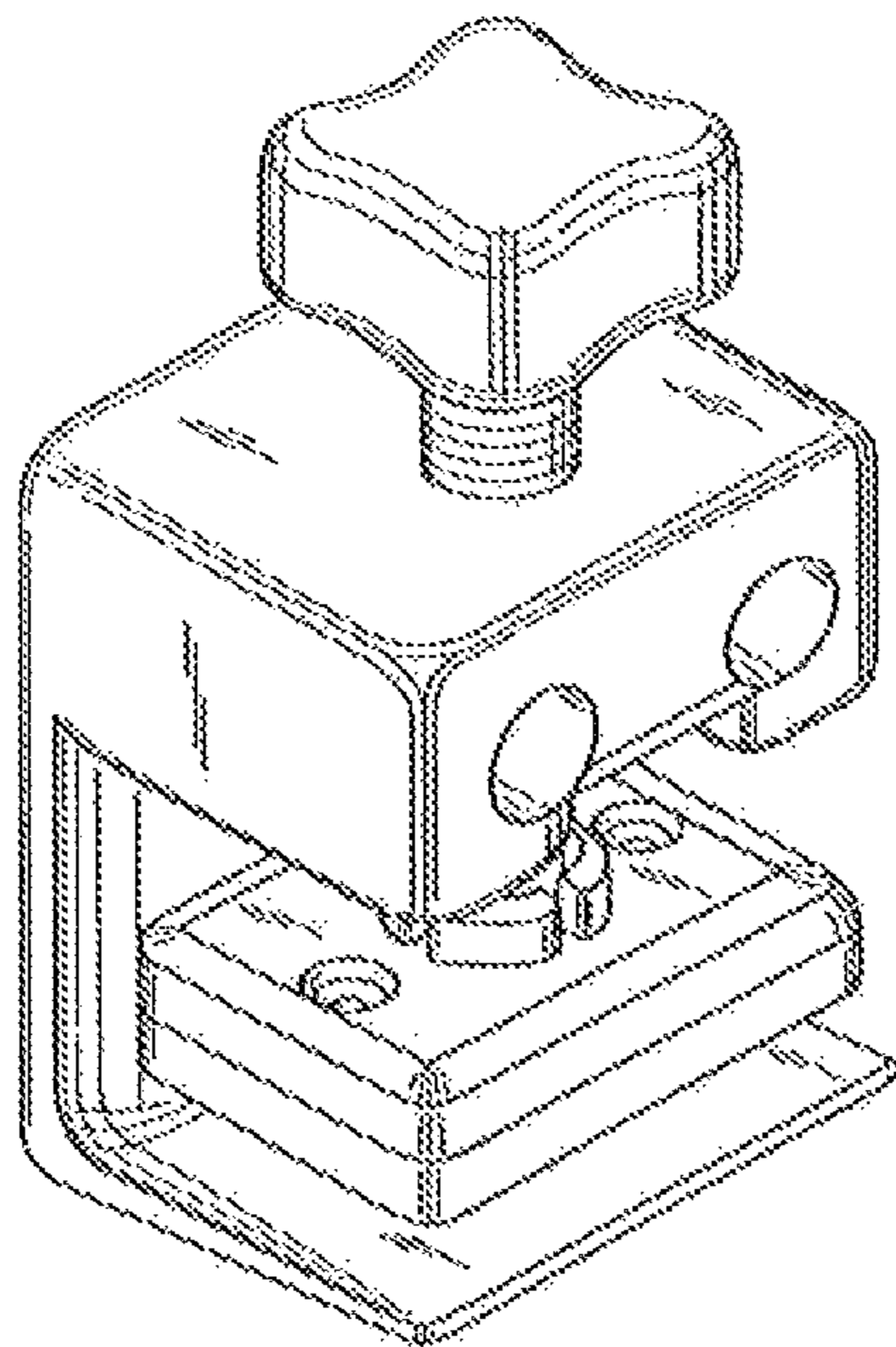


Fig. 1

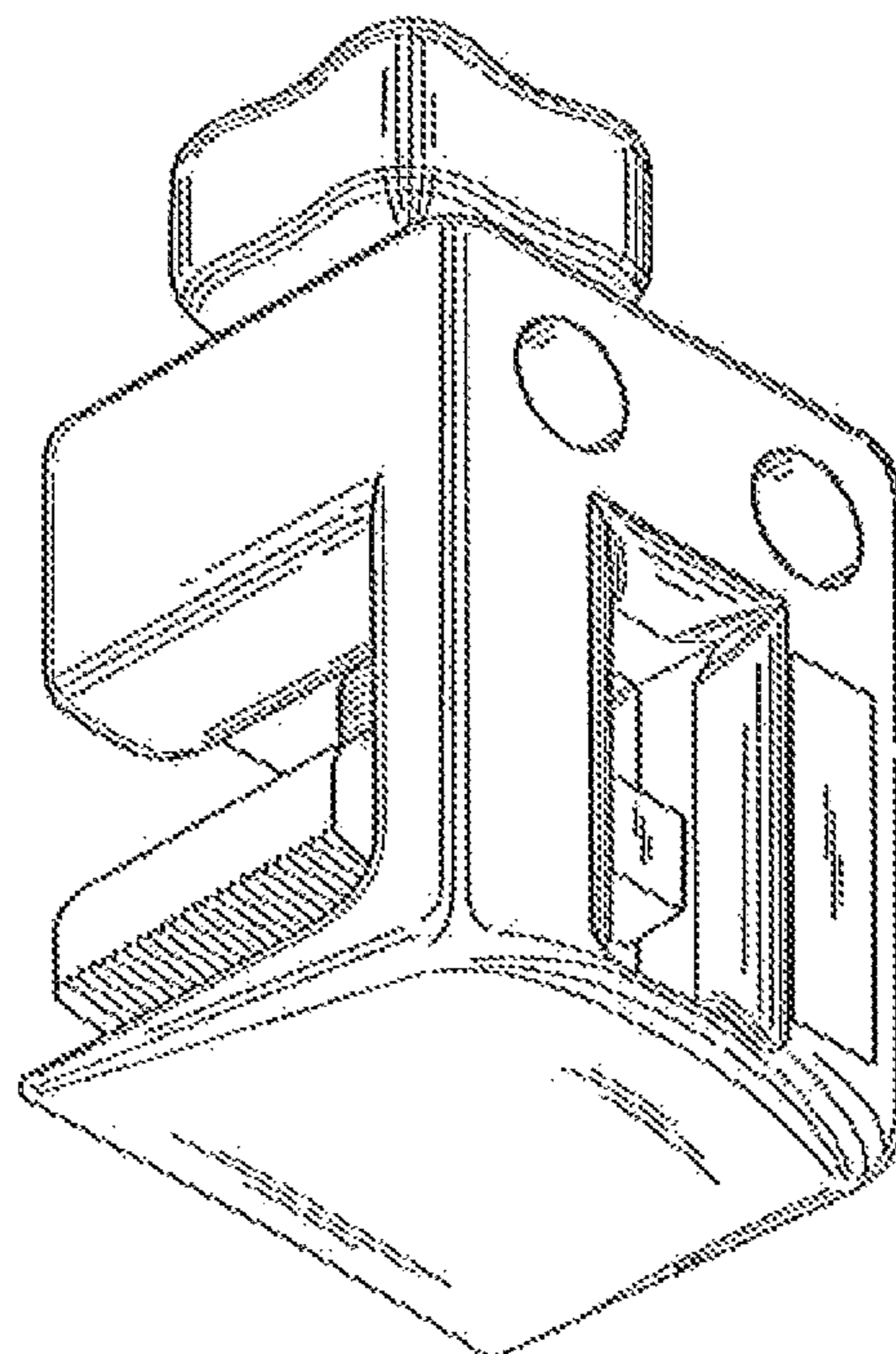


Fig. 2

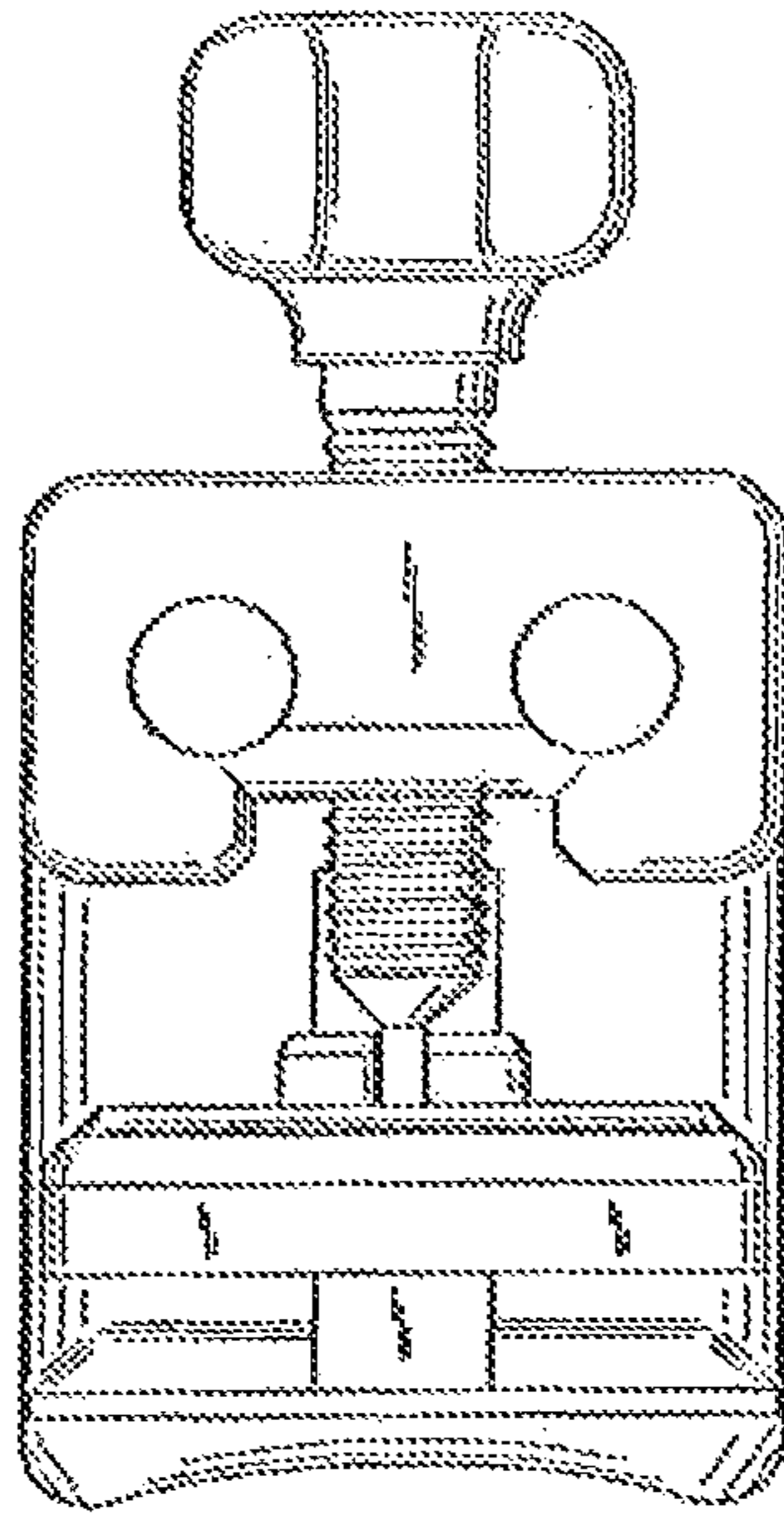


Fig. 3

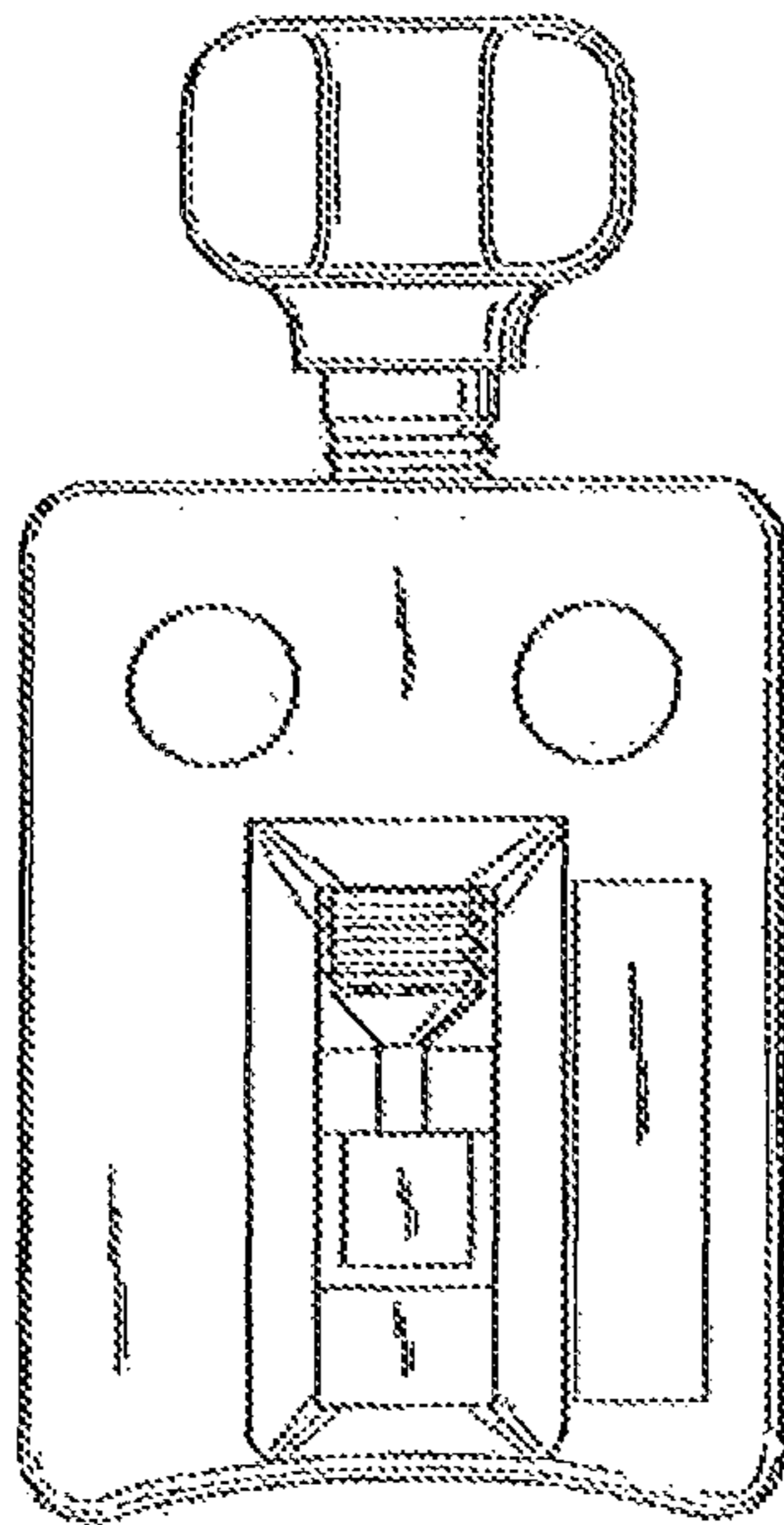


Fig. 4