



US00D693277S

(12) **United States Design Patent**
Waugh et al.

(10) **Patent No.:** **US D693,277 S**

(45) **Date of Patent:** **** Nov. 12, 2013**

(54) **VEHICLE COMPONENT**

(75) Inventors: **Darren Trevor Waugh**, Victoria (AU);
Warwick John Drenth, Victoria (AU)

(73) Assignee: **Vehicle Development Corporation Pty Ltd.**, Victoria (AU)

(**) Term: **14 Years**

(21) Appl. No.: **29/406,224**

(22) Filed: **Nov. 10, 2011**

(30) **Foreign Application Priority Data**

May 10, 2011 (AU) 12041/2011

(51) **LOC (9) Cl.** **12-16**

(52) **U.S. Cl.**
USPC **D12/159**

(58) **Field of Classification Search**
USPC D12/159-160; 280/11.225, 86.752;
188/315-316, 298, 274, 281, 286, 297;
293/134; 267/195; 279/2.01, 2.17;
403/223; 384/246

See application file for complete search history.

(56) **References Cited**

U.S. PATENT DOCUMENTS

3,999,779	A *	12/1976	Bishop	280/5.521
6,729,633	B1 *	5/2004	Irwin	280/86.75
D546,750	S *	7/2007	Kroeker	D12/223
D598,837	S *	8/2009	Wanglund	D12/220
8,398,092	B2 *	3/2013	Lee et al.	280/5.507
2005/0097698	A1 *	5/2005	Yagi et al.	15/250.3

* cited by examiner

Primary Examiner — Michael A Pratt

(74) *Attorney, Agent, or Firm* — Allen, Dyer, Doppelt, Milbrath & Gilchrist, P.A.

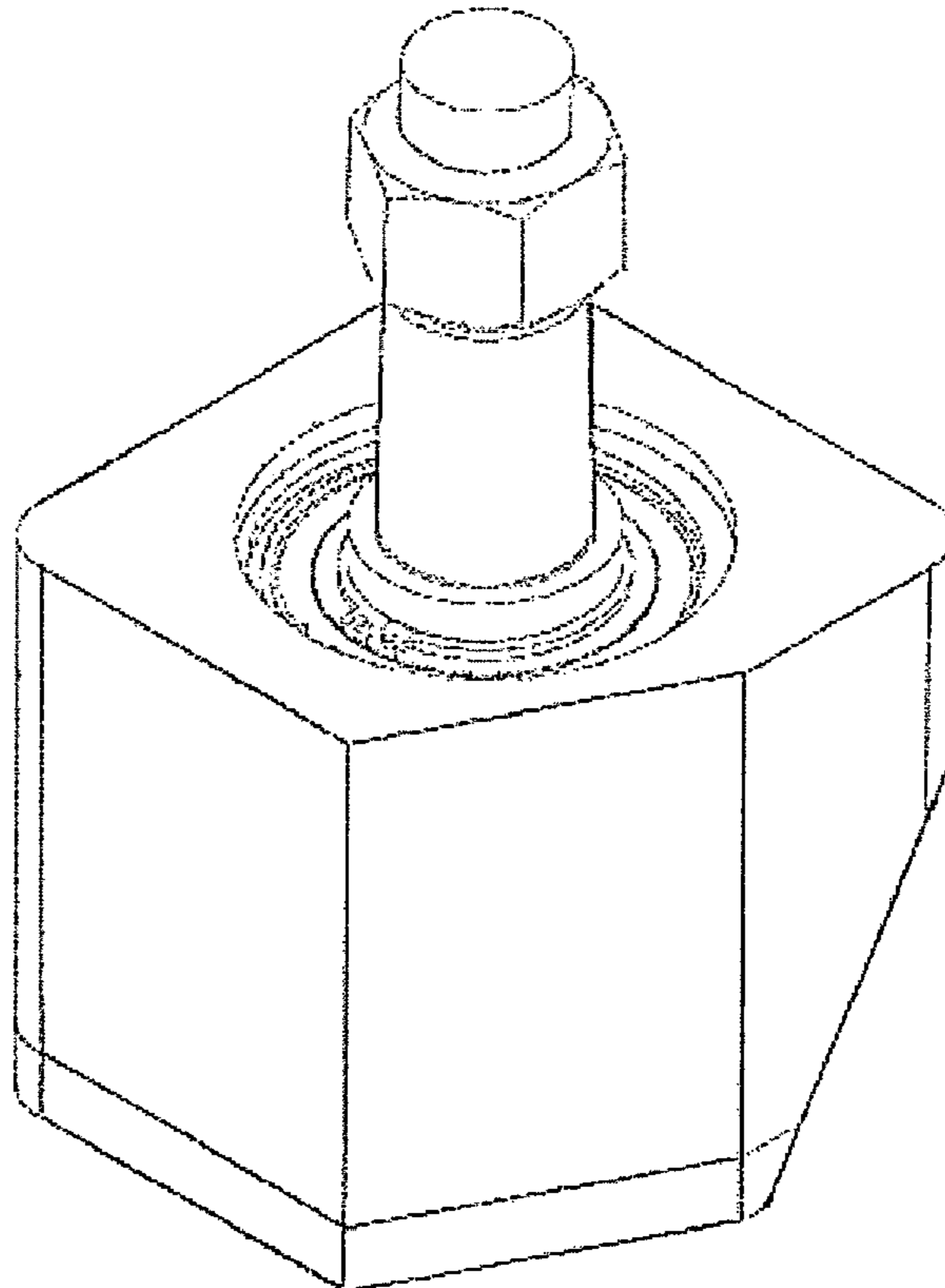
(57) **CLAIM**

The ornamental design for the vehicle component, as shown and described.

DESCRIPTION

FIG. 1 is a front, isometric view of the vehicle component according to the present design;
FIG. 2 is a top view of the vehicle component of FIG. 1;
FIG. 3 is a right side view of the vehicle component of FIG. 1;
FIG. 4 is a left side view of THE vehicle component of FIG. 1;
FIG. 5 is a front view of the vehicle component of FIG. 1;
FIG. 6 is a rear view of the vehicle component of FIG. 1; and,
FIG. 7 is a bottom view of the vehicle component of FIG. 1.

1 Claim, 7 Drawing Sheets



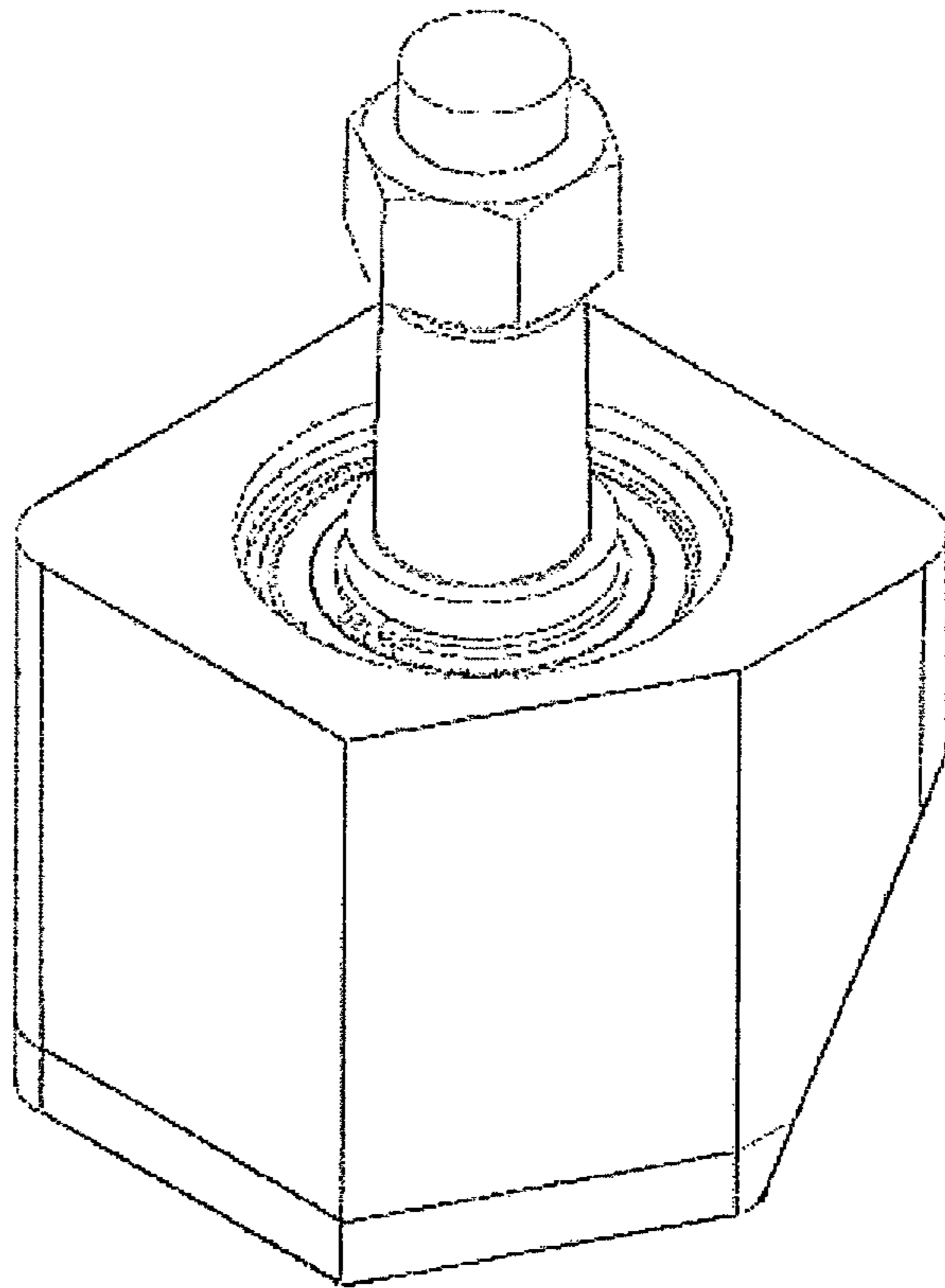


FIG.1

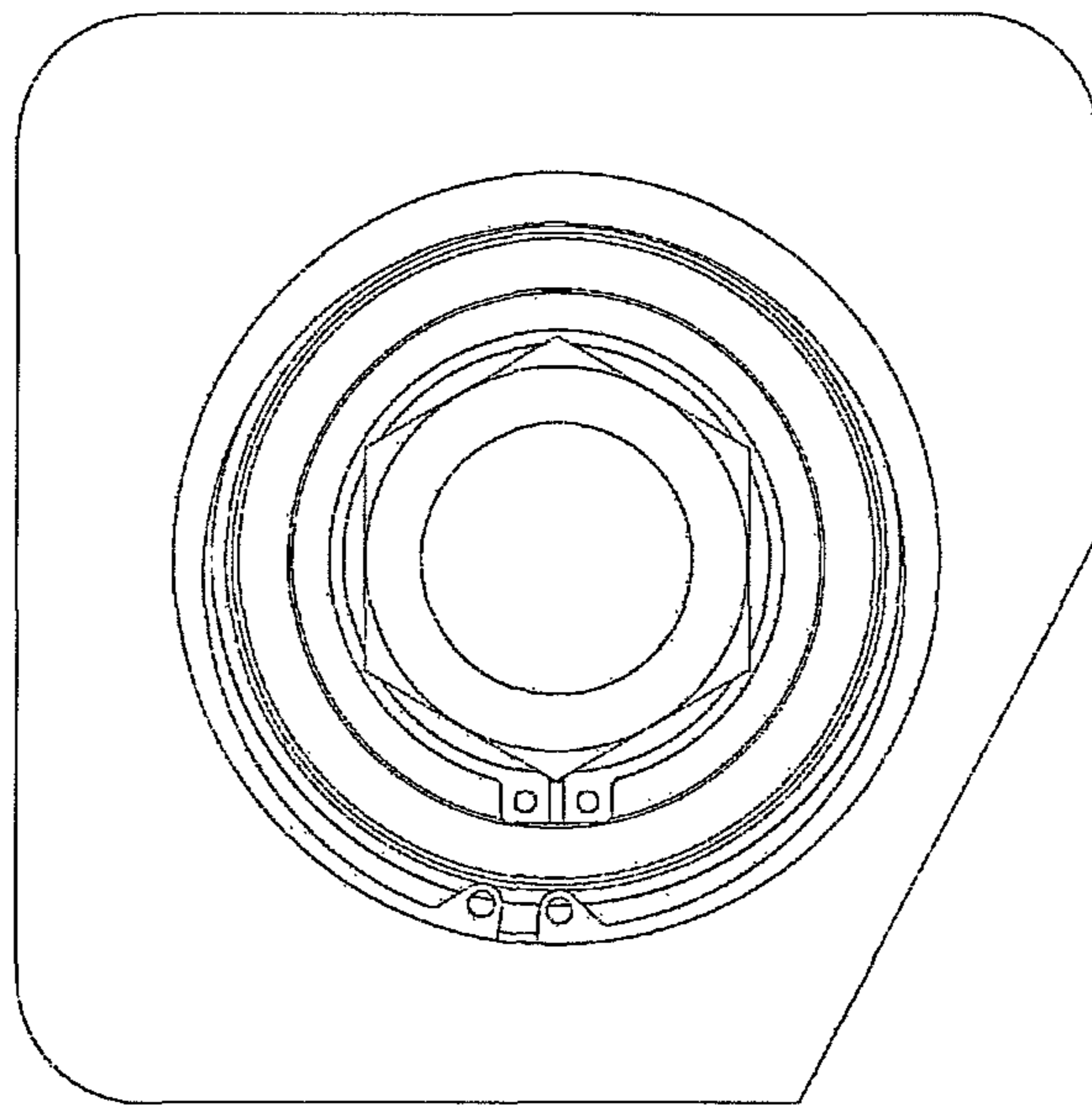


FIG.2

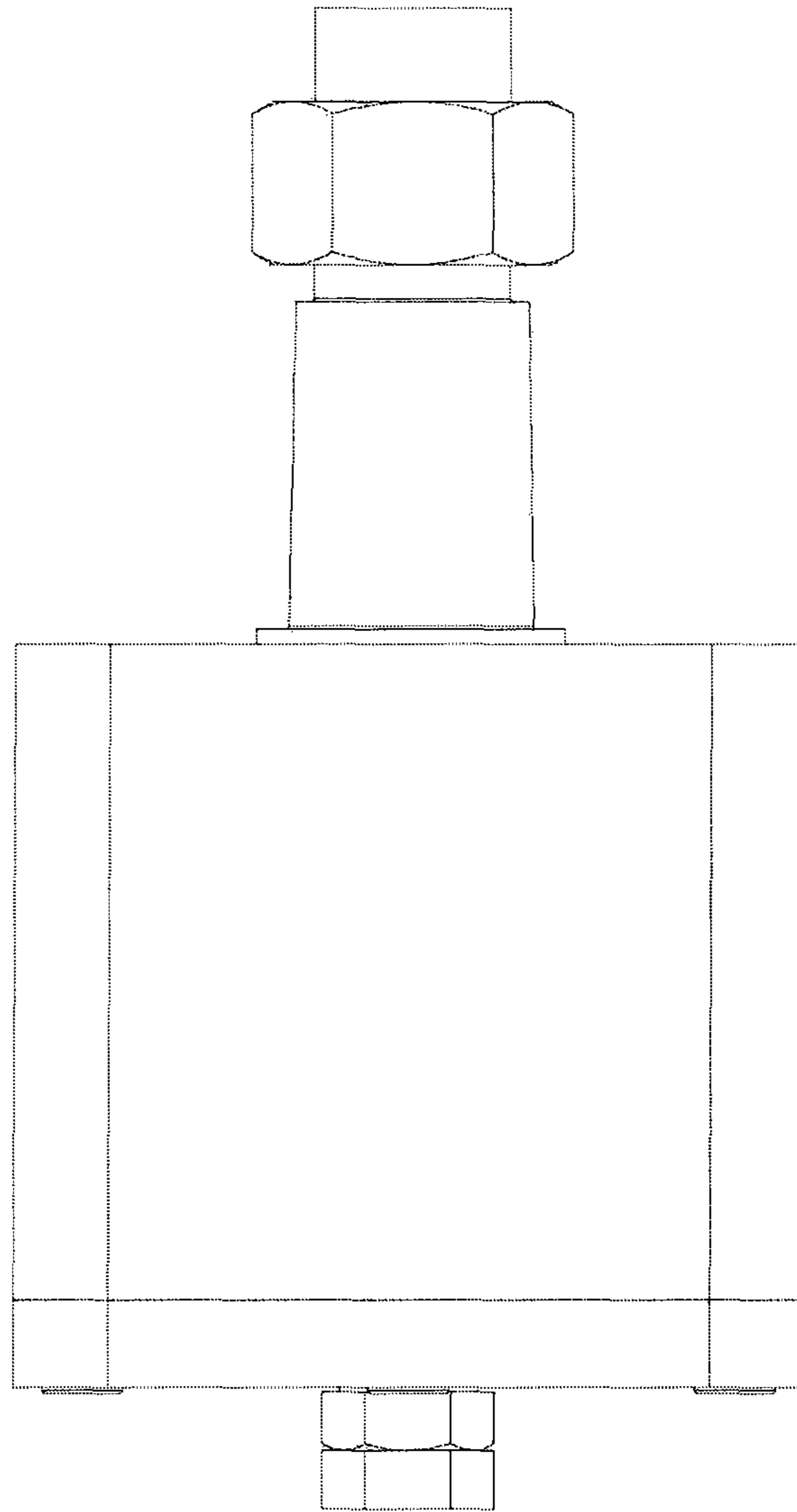


FIG. 3

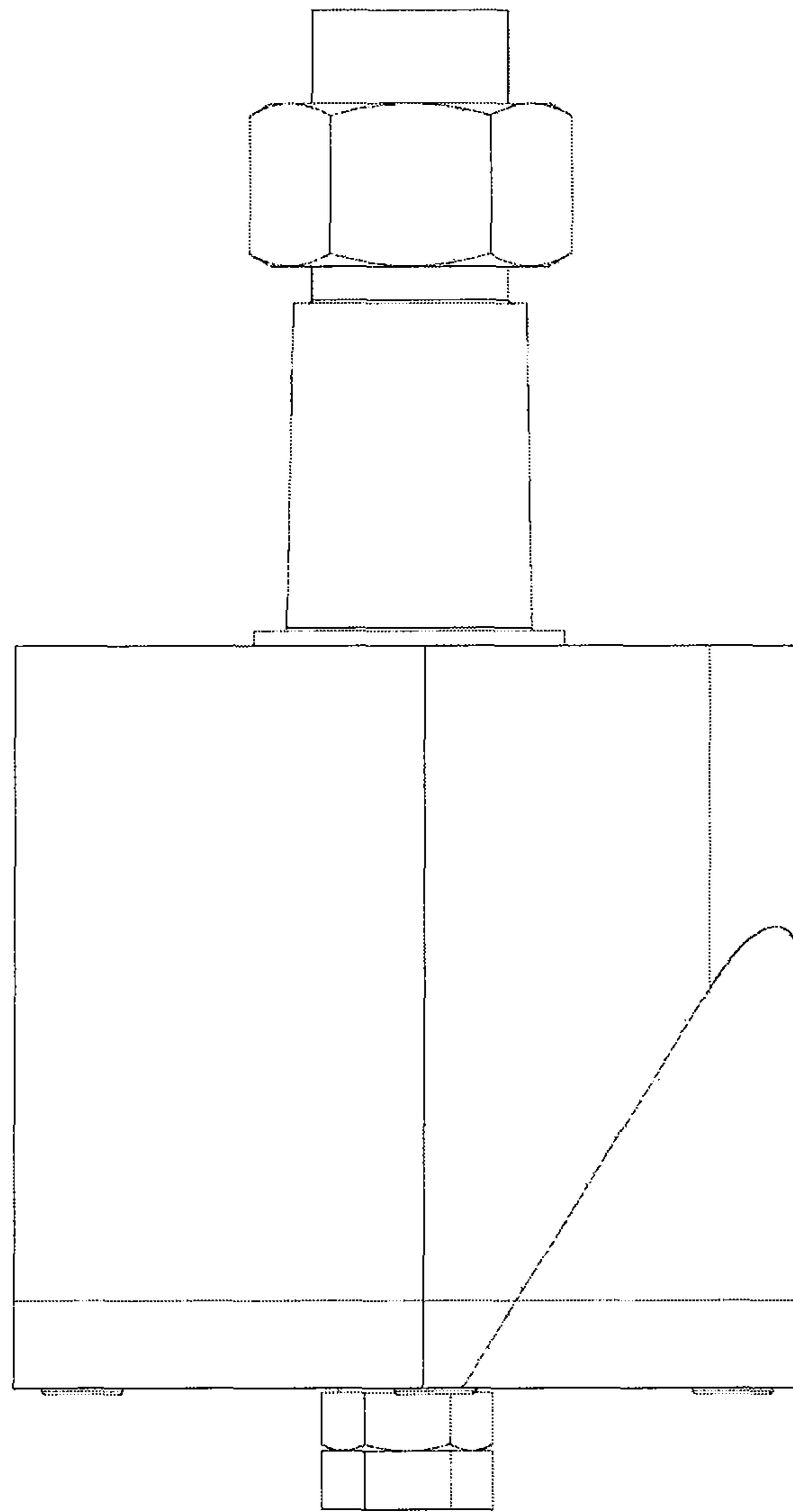


FIG. 4

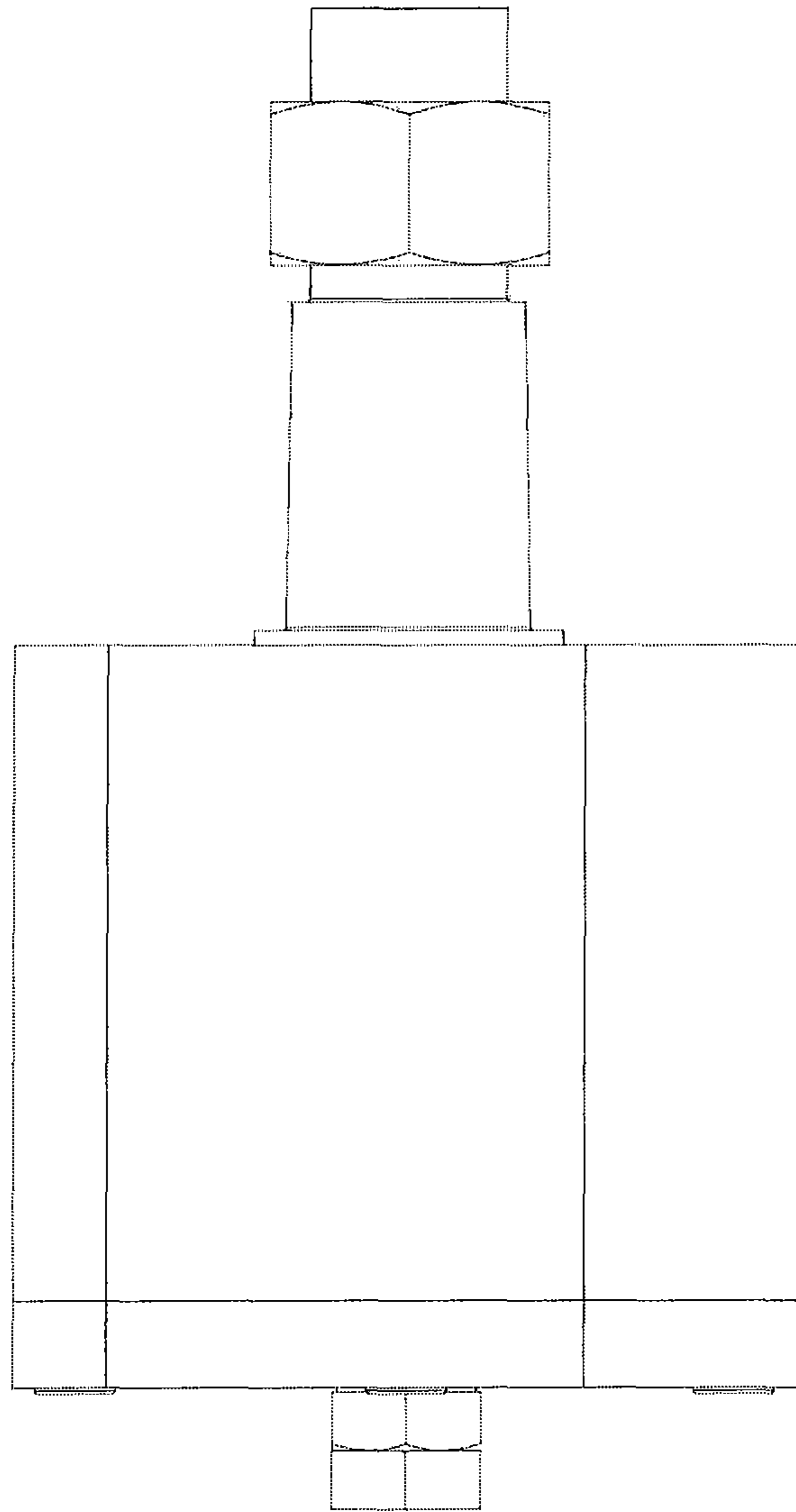


FIG. 5

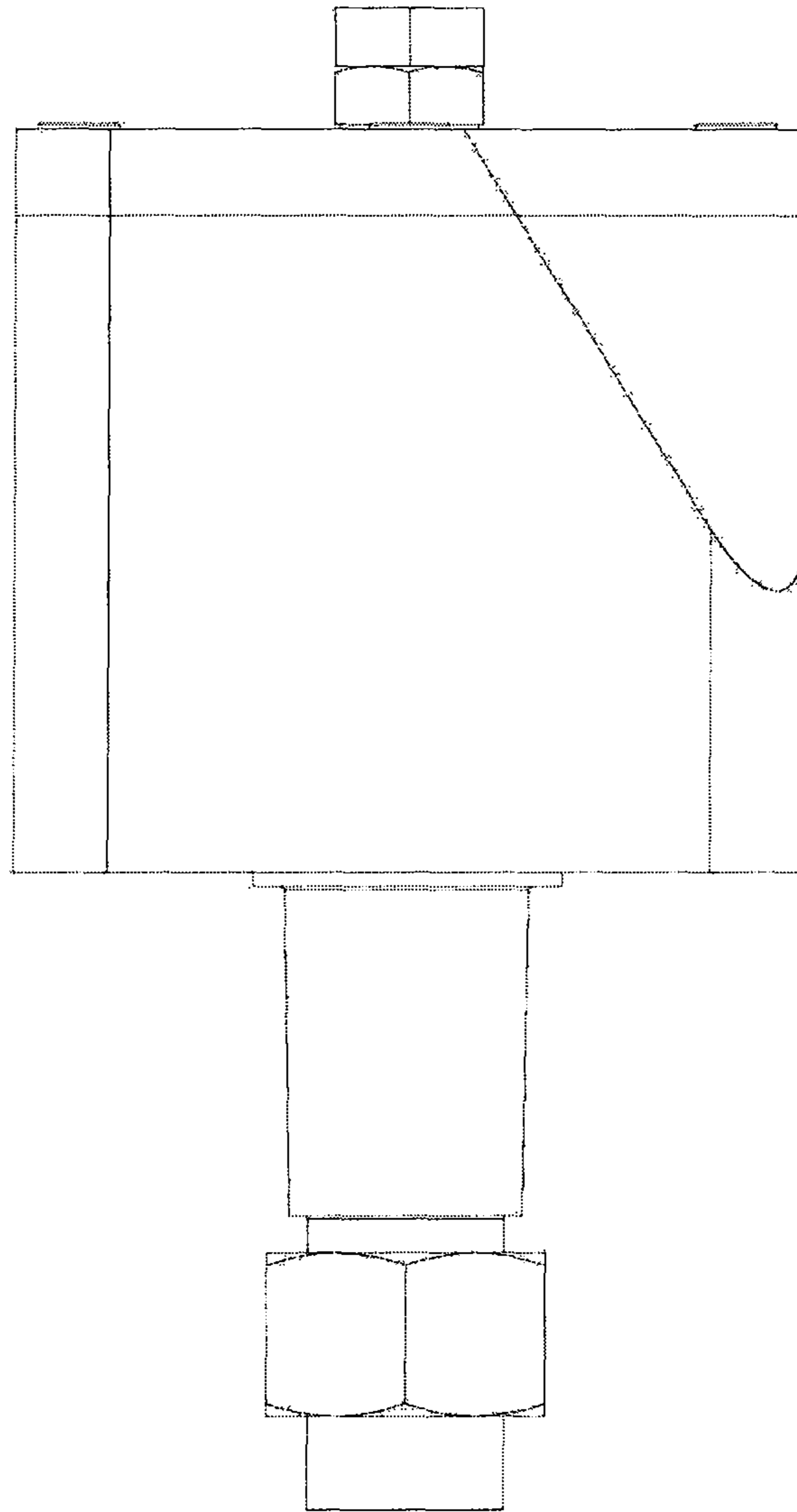


FIG. 6

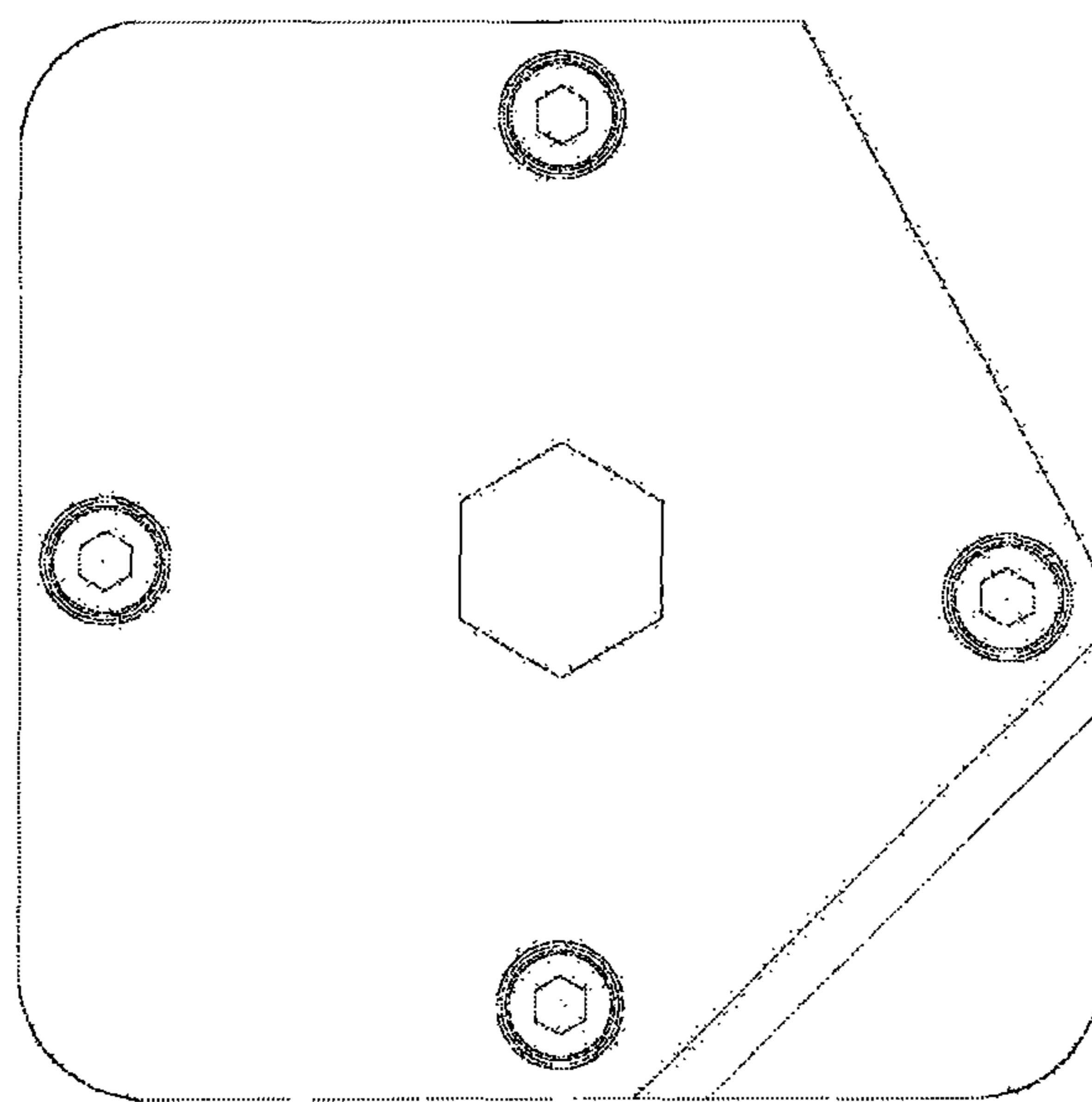


FIG. 7