



US00D693276S

(12) **United States Design Patent**
Cseri

(10) **Patent No.:** **US D693,276 S**

(45) **Date of Patent:** **** Nov. 12, 2013**

(54) **FUEL TANK PYLON COVER**

(76) Inventor: **Thomas G Cseri**, Haymarket, VA (US)

(**) Term: **14 Years**

(21) Appl. No.: **29/429,085**

(22) Filed: **Aug. 7, 2012**

(51) **LOC (9) Cl.** **12-11**

(52) **U.S. Cl.**
USPC **D12/126**

(58) **Field of Classification Search**
USPC D12/126, 218, 110, 114; 280/304.4,
280/833, 835, 770, 304.3, 847; 296/78.1,
296/136.1; 180/219, 220, 69.4, 225;
150/167

See application file for complete search history.

(56) **References Cited**

U.S. PATENT DOCUMENTS

4,068,859	A *	1/1978	Dittman	280/304.4
5,490,549	A *	2/1996	Biette	150/167
6,341,792	B1 *	1/2002	Okuma	280/304.3
D537,388	S *	2/2007	Martell	D12/126
D576,081	S *	9/2008	Schroeder et al.	D12/126
7,690,689	B2 *	4/2010	Muroo et al.	280/833
7,857,928	B1 *	12/2010	Mackey	156/94
8,016,321	B2 *	9/2011	Shimomura	280/833

* cited by examiner

Primary Examiner — Susan M Lee

Assistant Examiner — Linda Brooks

(74) *Attorney, Agent, or Firm* — Diederiks & Whitelaw PLC

(57) **CLAIM**

The ornamental design for a fuel tank pylon cover, as shown and described.

DESCRIPTION

FIG. 1 is a perspective view of a fuel tank pylon cover in accordance with the present invention shown fitted on a fuel tank pylon;

FIG. 2 is a top view of the fuel tank pylon cover of FIG. 1;

FIG. 3 is a right side elevational view of the fuel tank pylon cover of the invention, with the left side elevational view being a mirror image thereof;

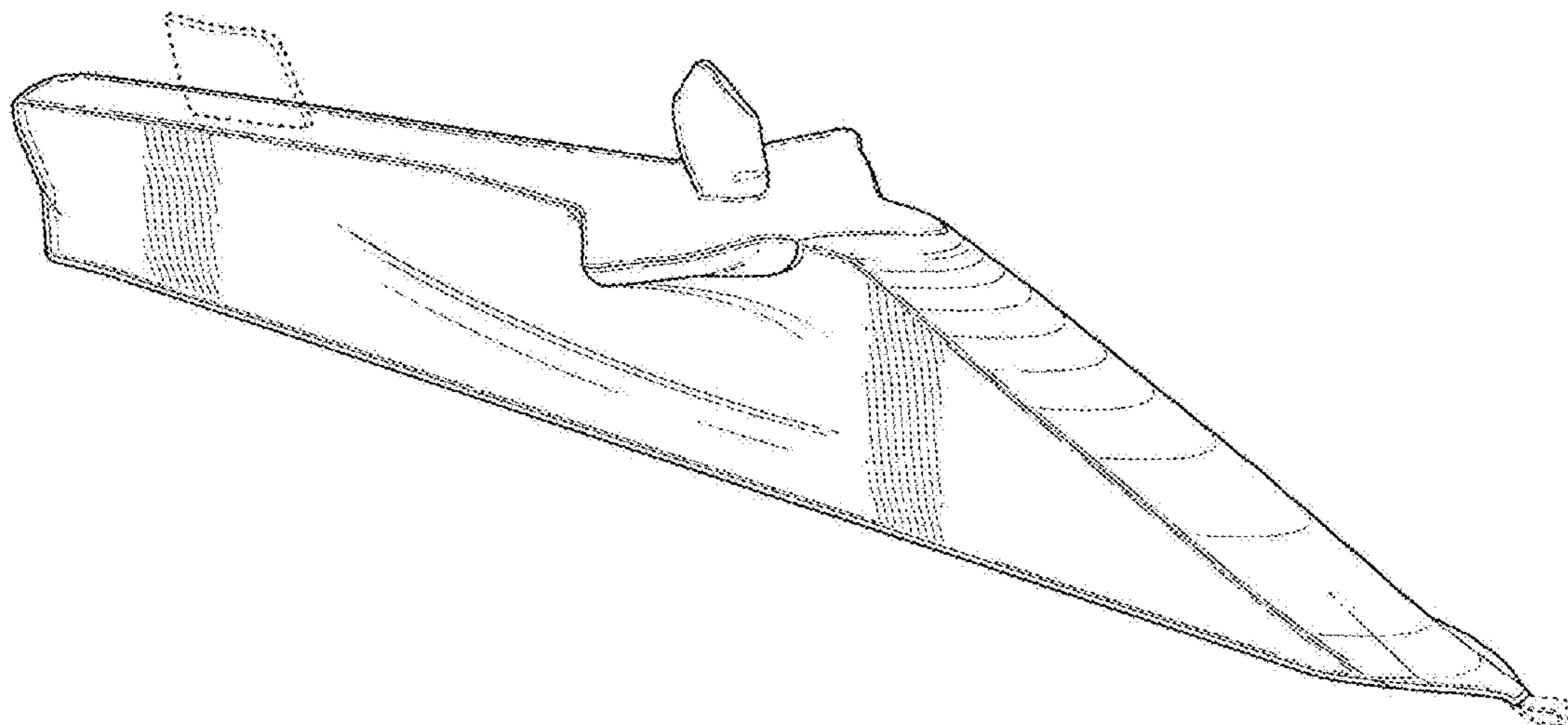
FIG. 4 is a rear elevational view of the fuel tank pylon cover of the invention;

FIG. 5 is a front elevational view of the fuel tank pylon cover of the invention;

FIG. 6 is a lower right perspective view of the fuel tank pylon cover of the invention laying on a flat surface; and,

FIG. 7 is a bottom view of the fuel tank pylon cover of FIG. 1. The broken lines showing an optional upper rear cover pocket in FIGS. 1-4 and 6, a front strap in FIGS. 1-3 and 5-7, and front and rear underbody straps in FIG. 7 are for illustrative purposes only and form no part of the claimed invention.

1 Claim, 4 Drawing Sheets



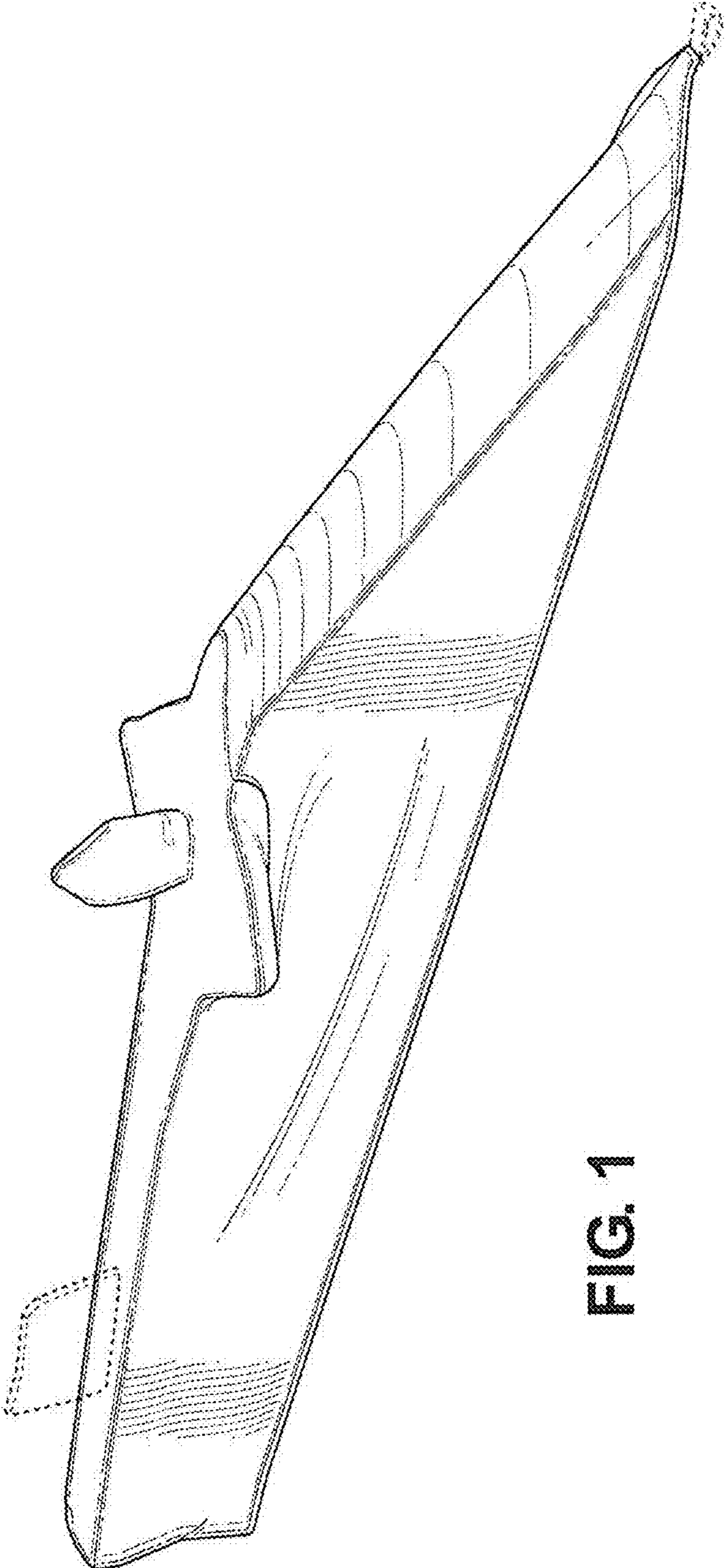


FIG. 1

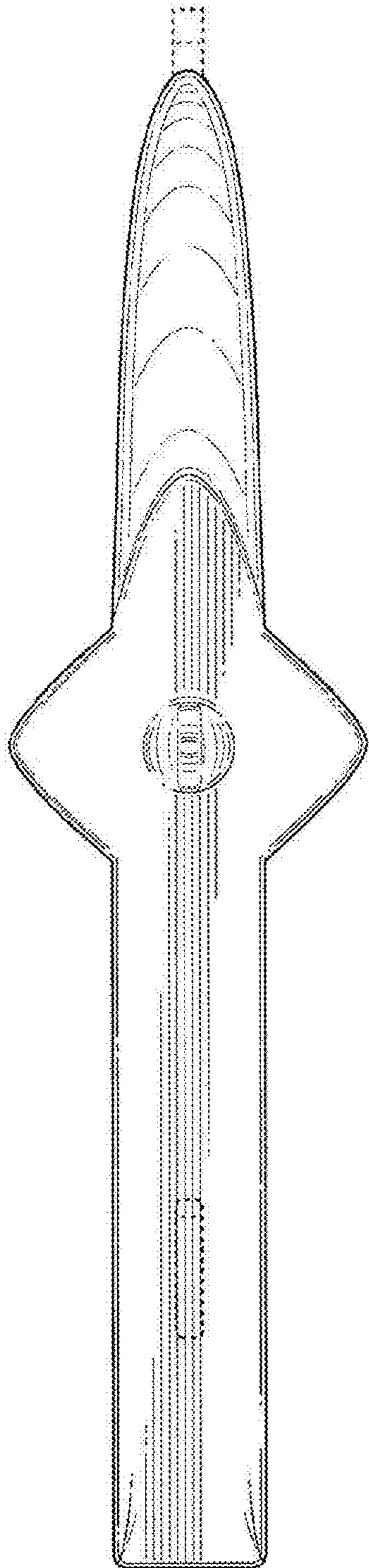


FIG. 2

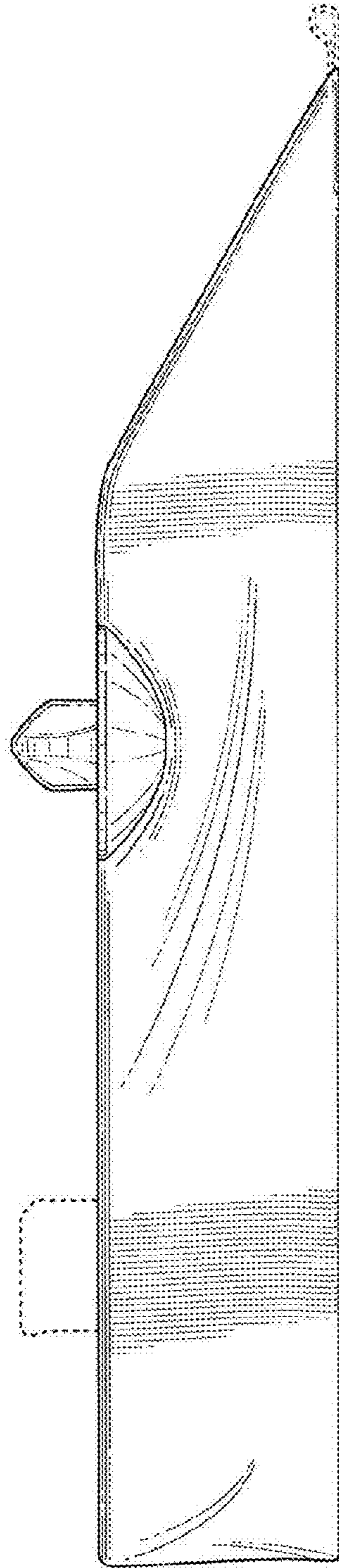


FIG. 3

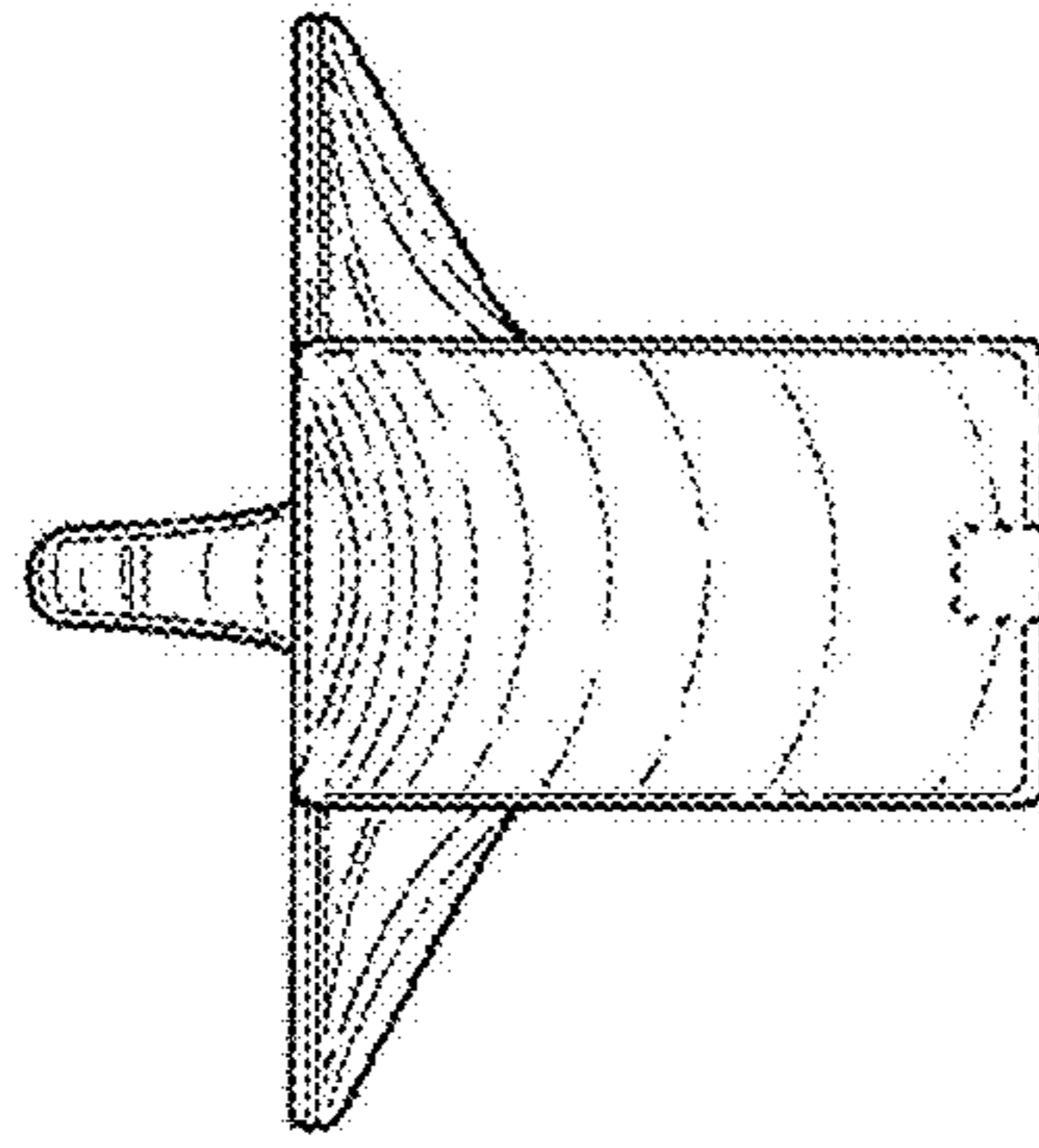


FIG. 5

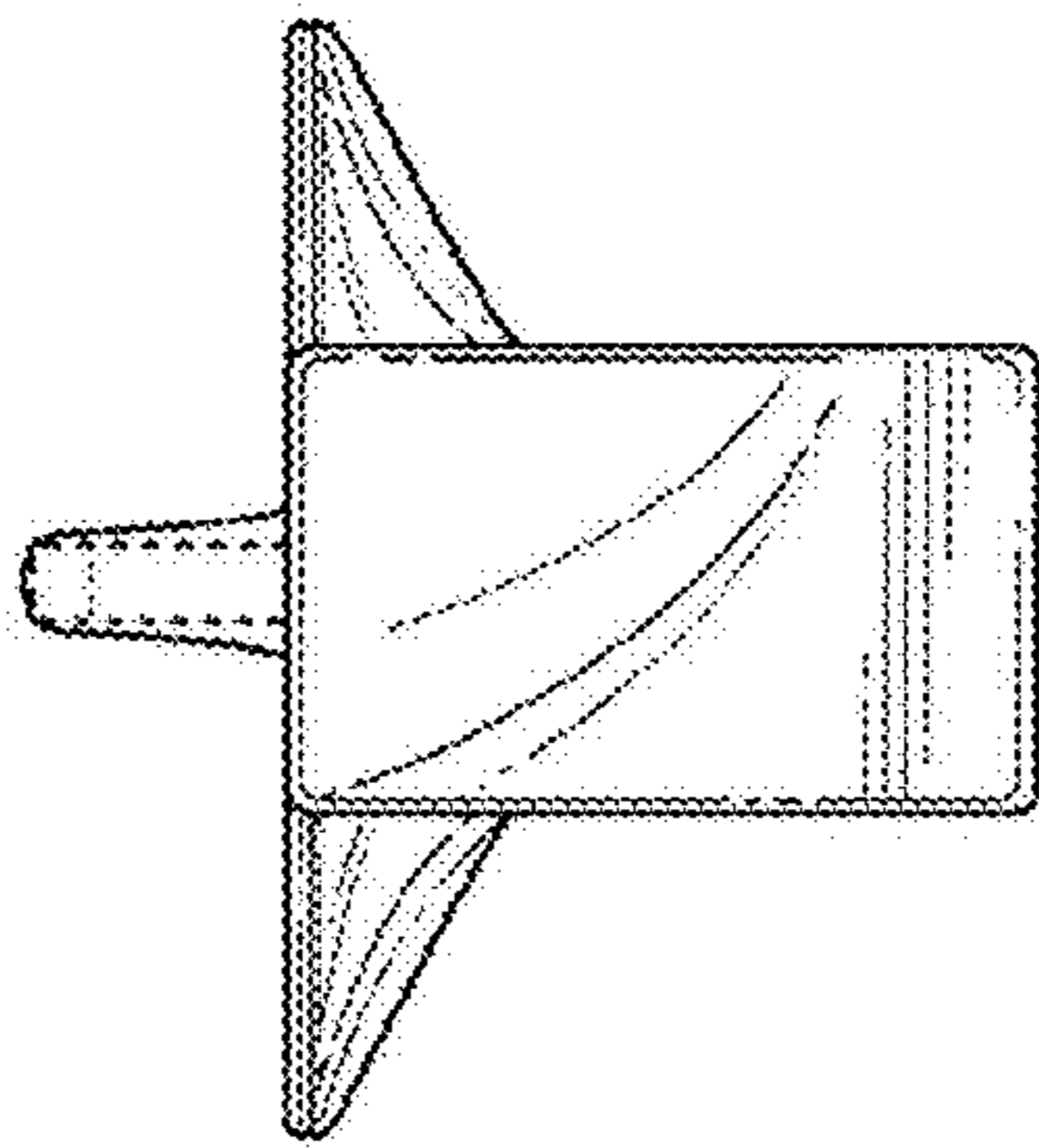


FIG. 4

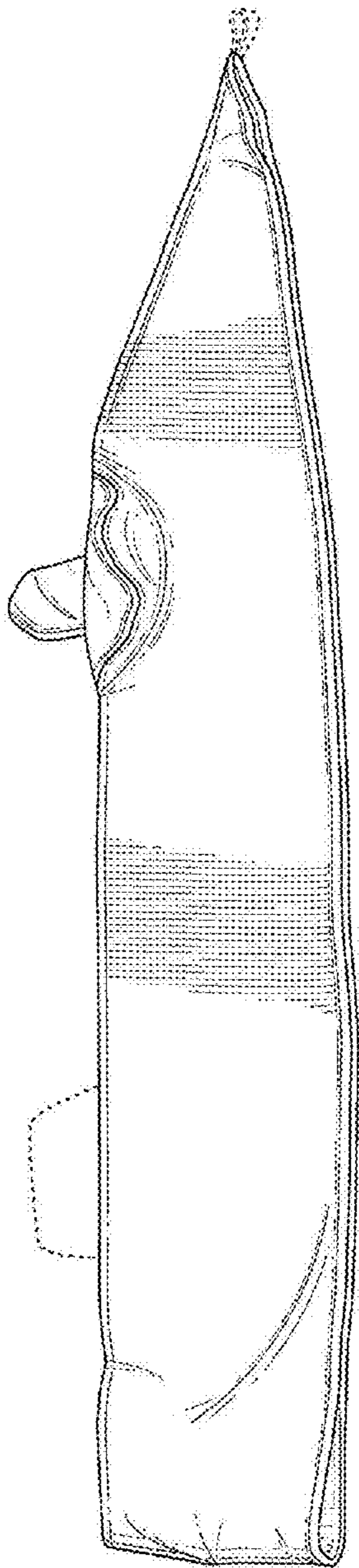


FIG. 6

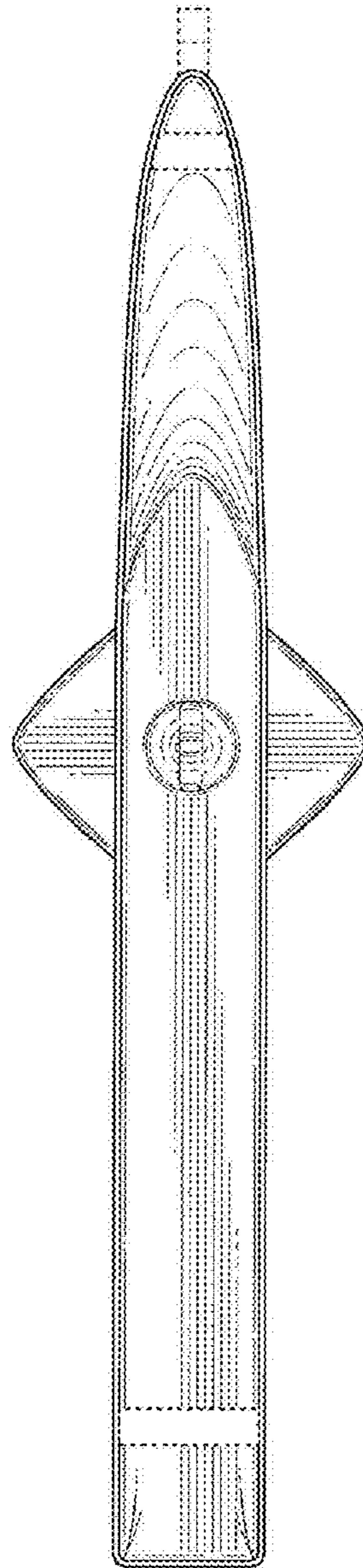


FIG. 7