



US00D693275S

(12) **United States Design Patent**
Murakami

(10) **Patent No.:** **US D693,275 S**

(45) **Date of Patent:** **** Nov. 12, 2013**

(54) **MOTORCYCLE**

(71) Applicant: **Suzuki Motor Corporation,**
Shizuoka-ken (JP)

(72) Inventor: **Tomoya Murakami,** Shizuoka-ken (JP)

(73) Assignee: **Suzuki Motor Corporation,**
Shizuoka-ken (JP)

(**) Term: **14 Years**

(21) Appl. No.: **29/447,179**

(22) Filed: **Mar. 1, 2013**

(30) **Foreign Application Priority Data**

Sep. 4, 2012 (JP) 2012-021289

(51) **LOC (9) Cl.** **12-11**

(52) **U.S. Cl.**
USPC **D12/110**

(58) **Field of Classification Search**
USPC D12/110; 180/219, 220, 225, 229
See application file for complete search history.

(56) **References Cited**

U.S. PATENT DOCUMENTS

D491,110 S * 6/2004 Uchiyama D12/110
2009/0038871 A1 * 2/2009 Inomori et al. 180/219

OTHER PUBLICATIONS

Suzuki 125CC Motorcycle © 2007-2012. [Retrieved on May 13, 2012]. Retrieved from the Internet <URL: <http://www.qrbiz.com/product/1904772/Motorcycle-dor-SUZUKI-125CC-Motorcycle.html>>.*

2012 Suzuki GSX650F ABS on p. 1 of 5. . [Retrieved on May 13, 2012]. Retrieved from the Internet <URL: <http://www.totmotorcycle.com/motorcycles/2012models/2012-Suzuki-GS-X650FABS.htm>>.*

* cited by examiner

Primary Examiner — Susan M Lee

Assistant Examiner — Linda Brooks

(74) *Attorney, Agent, or Firm* — Alston & Bird LLP

(57) **CLAIM**

I claim the ornamental design for a motorcycle, as shown and described.

DESCRIPTION

FIG. 1 is a front view of a motorcycle showing our new design;

FIG. 2 is a rear view thereof;

FIG. 3 is a top view thereof;

FIG. 4 is a bottom view thereof;

FIG. 5 is a right side view thereof;

FIG. 6 is a left side view thereof;

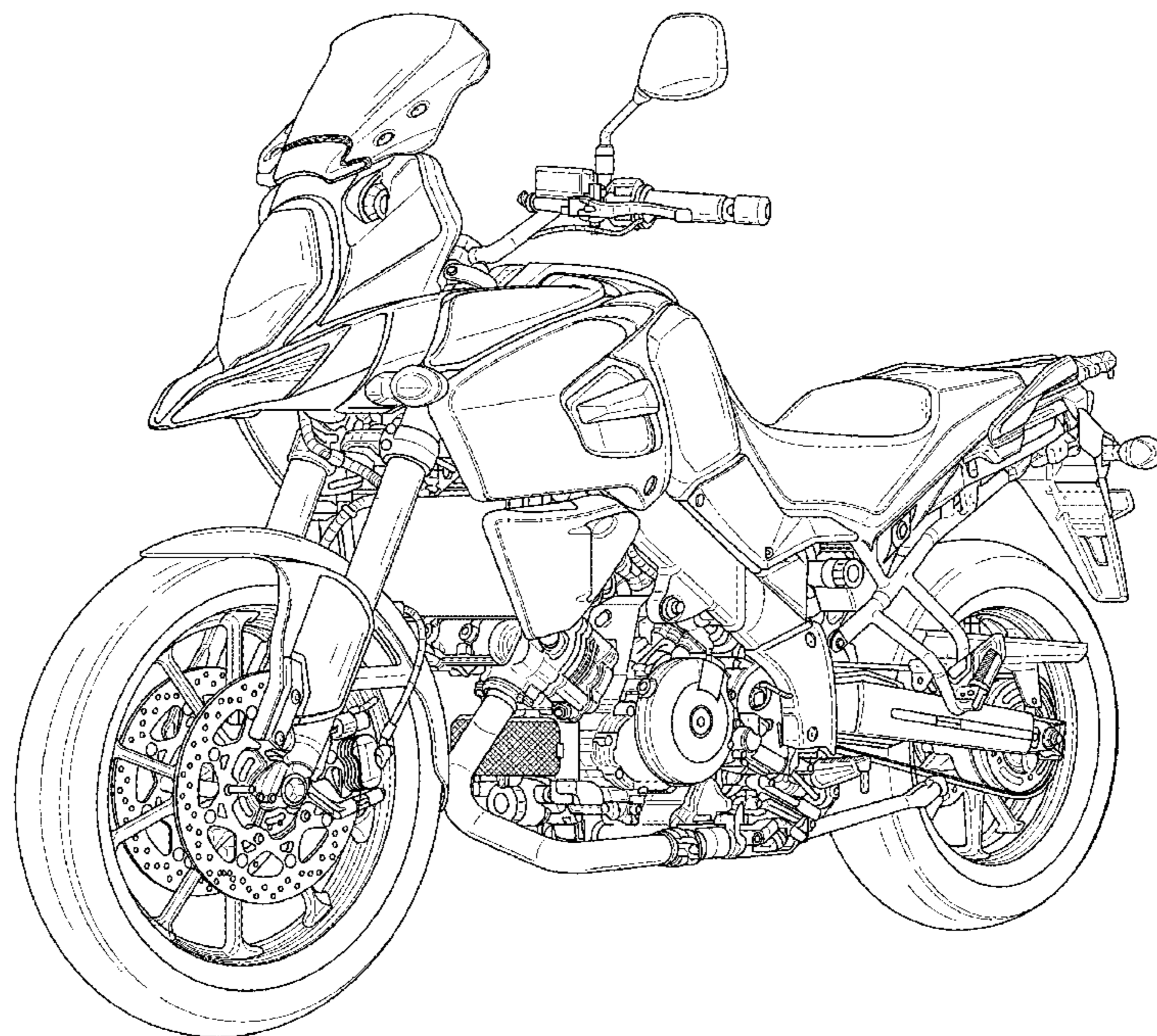
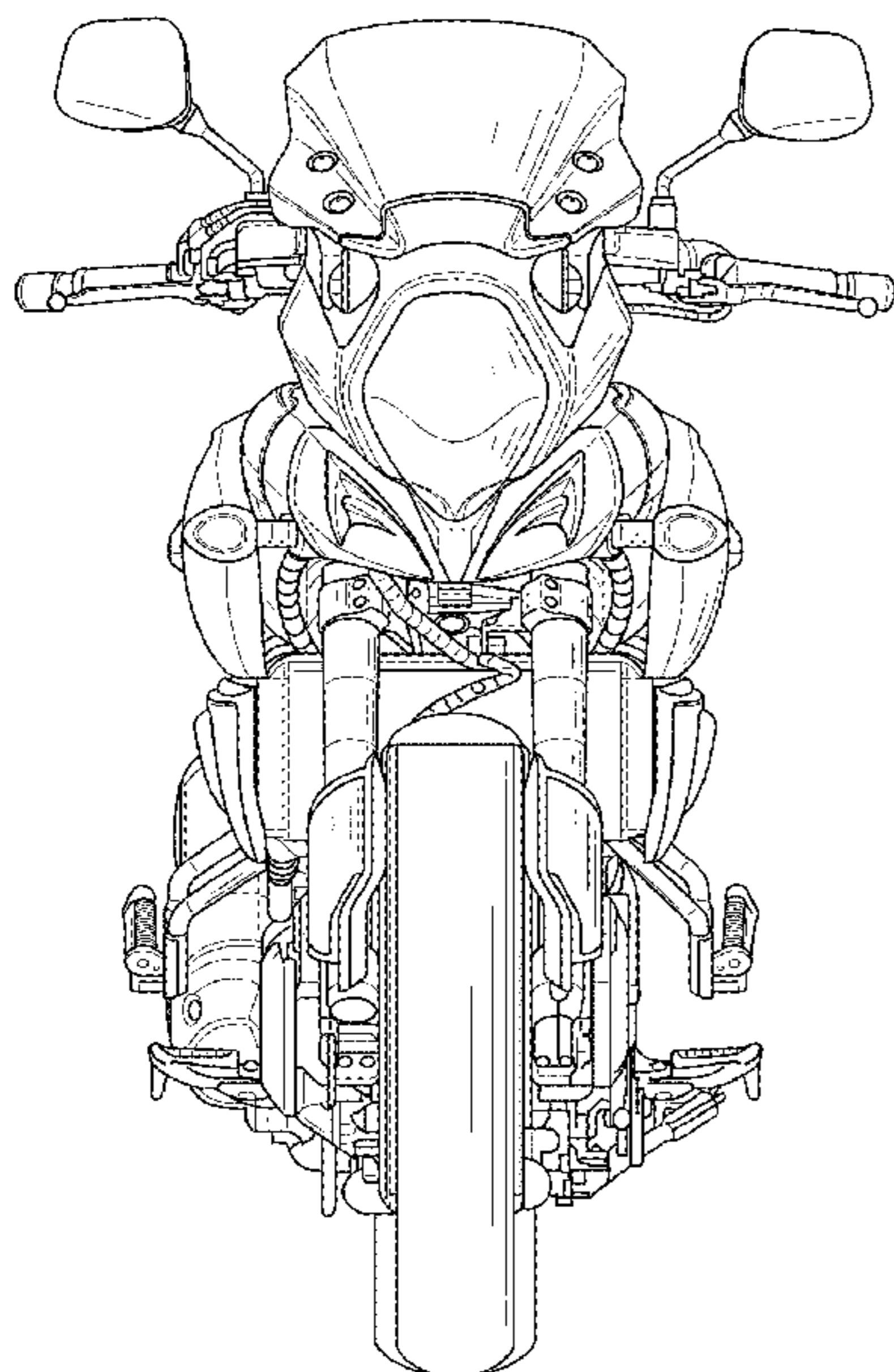
FIG. 7 is a diagonally forward right side perspective view thereof;

FIG. 8 is a diagonally backward right side perspective view thereof;

FIG. 9 is a diagonally forward left side perspective view thereof; and,

FIG. 10 is a diagonally backward left side perspective view thereof.

1 Claim, 10 Drawing Sheets



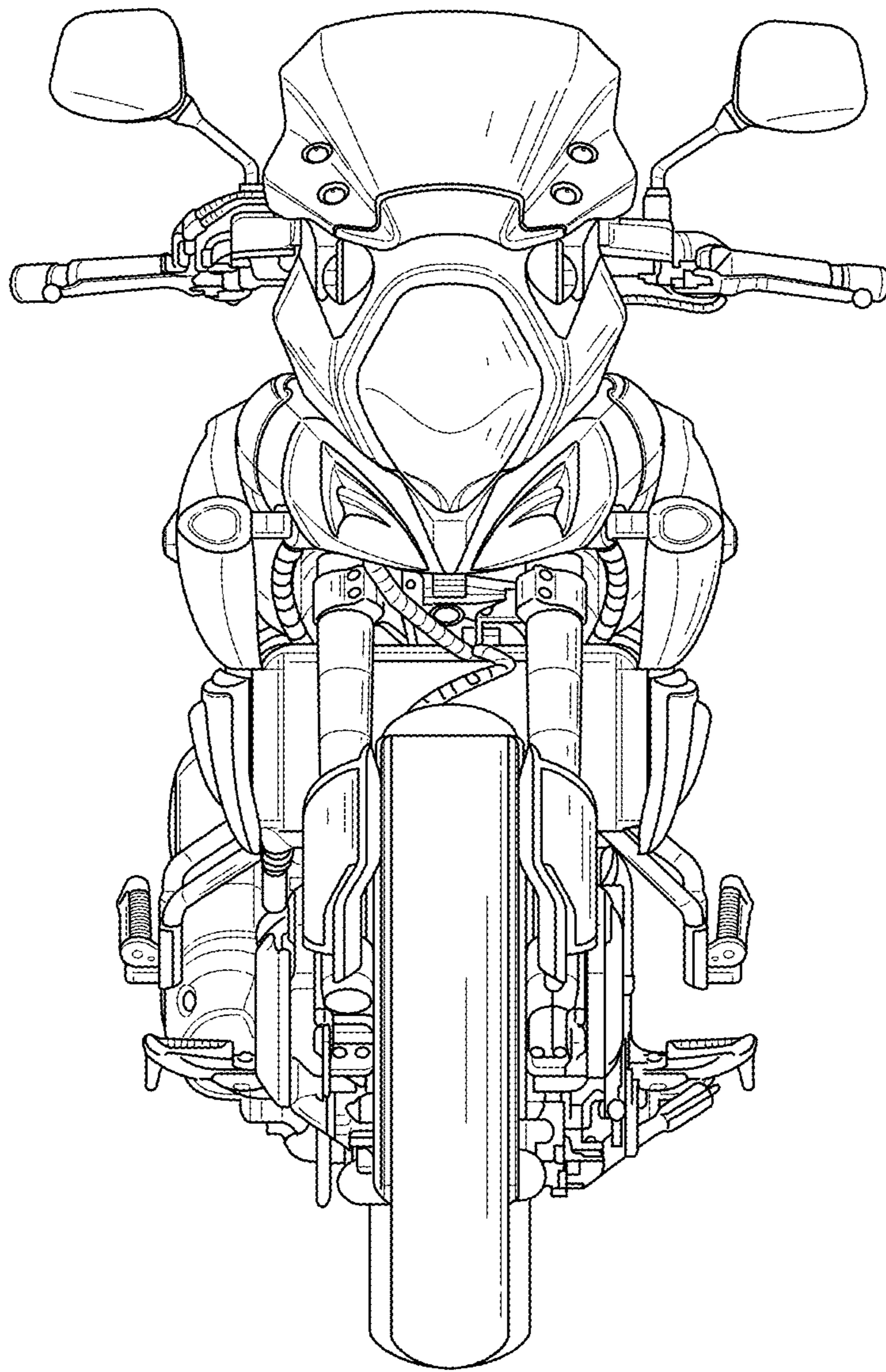


FIG. 1

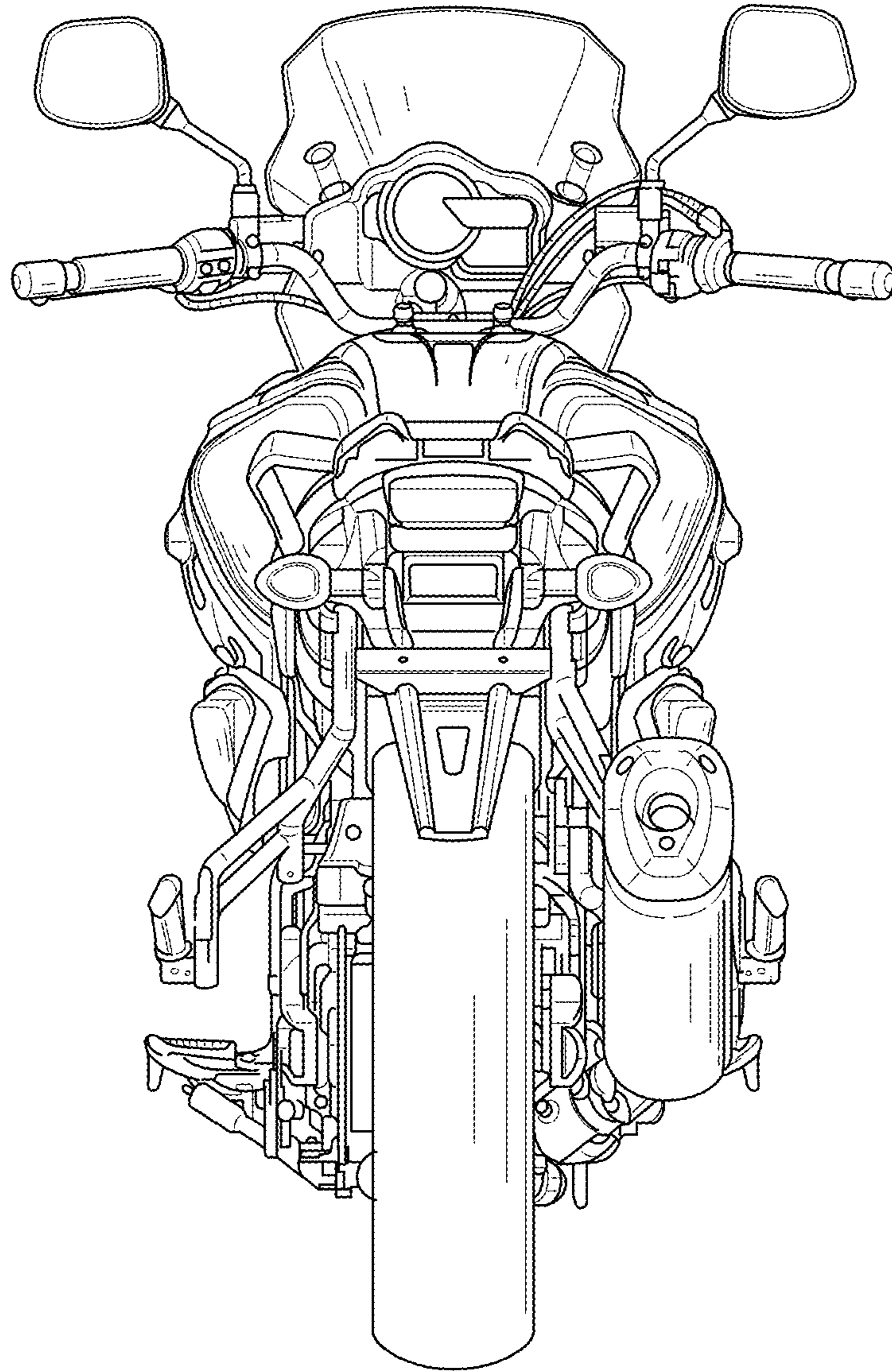


FIG. 2

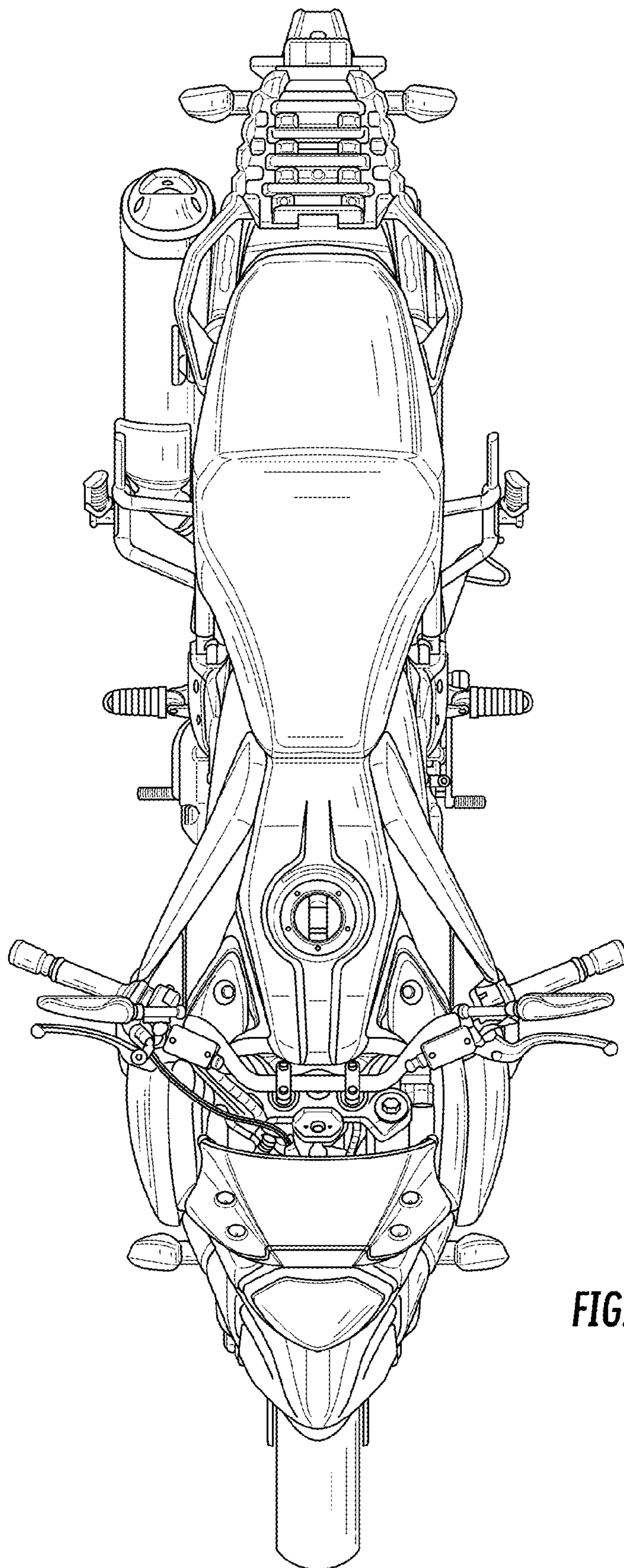


FIG. 3

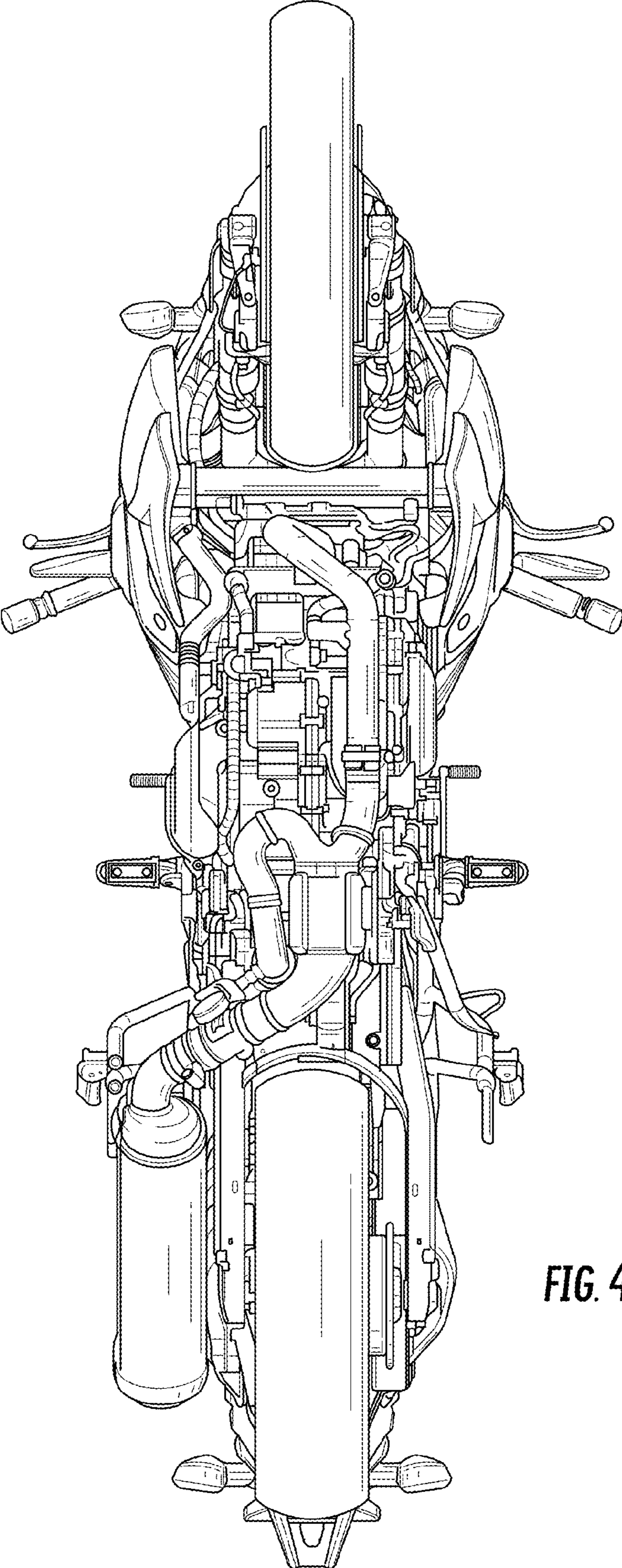


FIG. 4

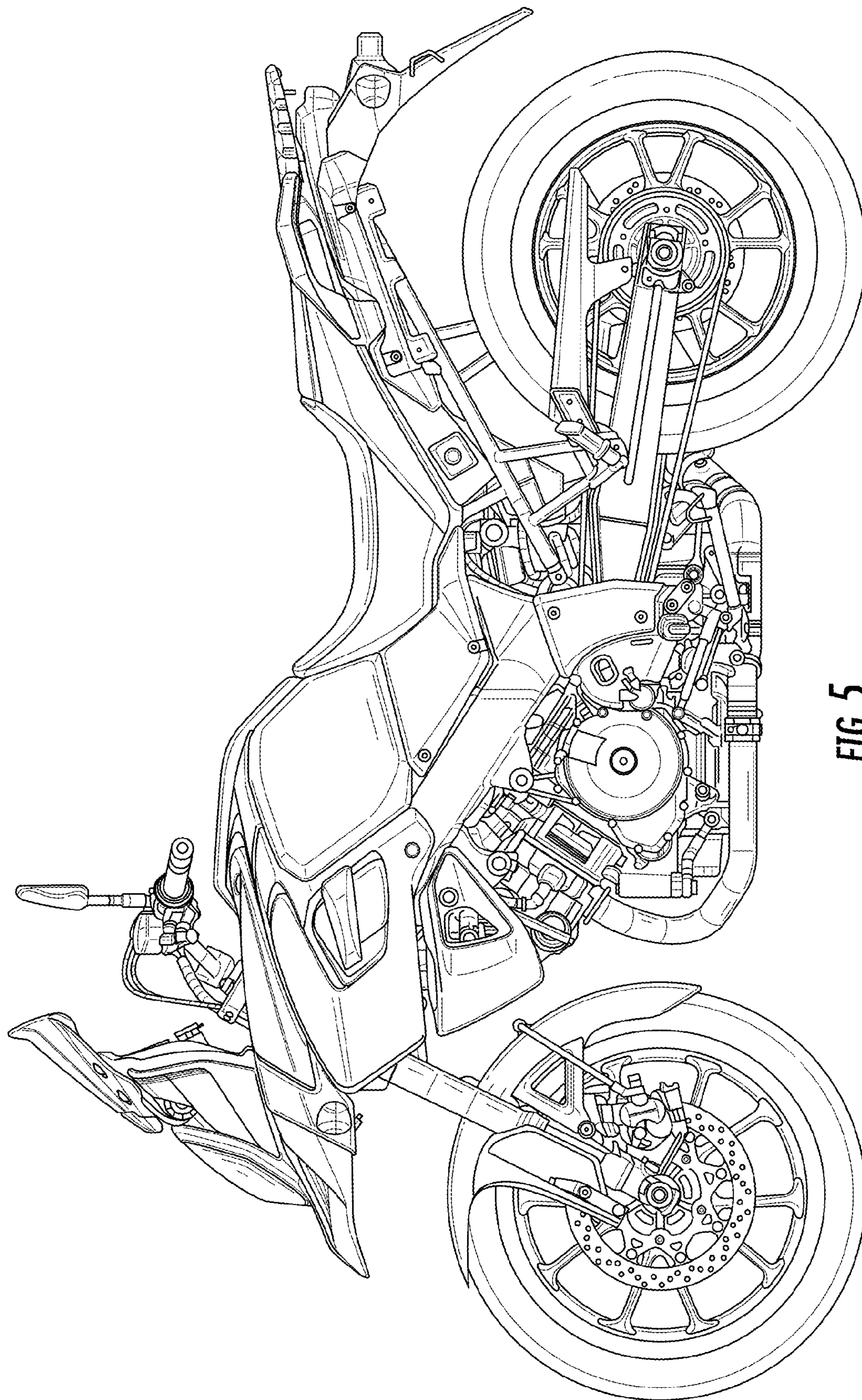


FIG. 5

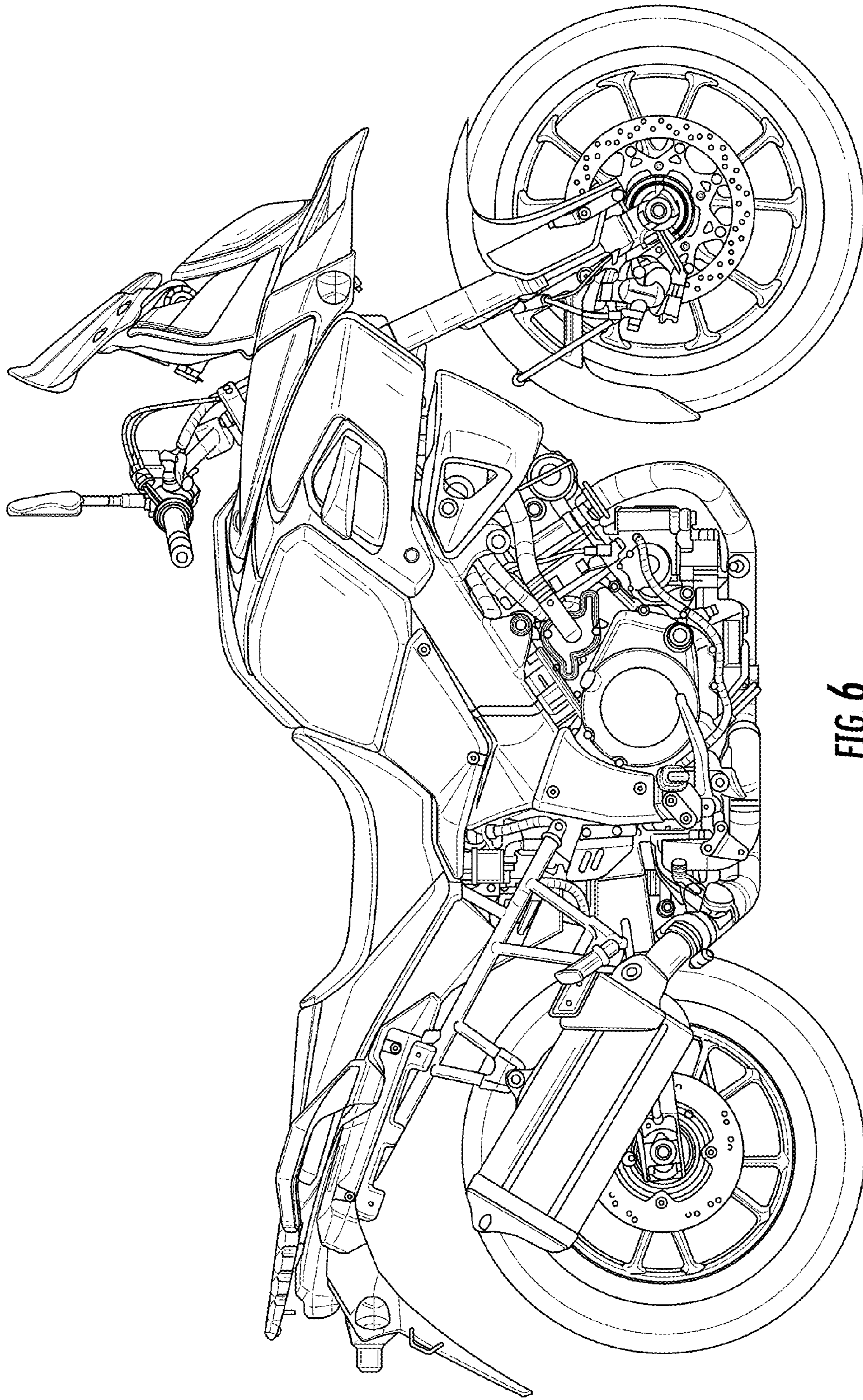


FIG. 6

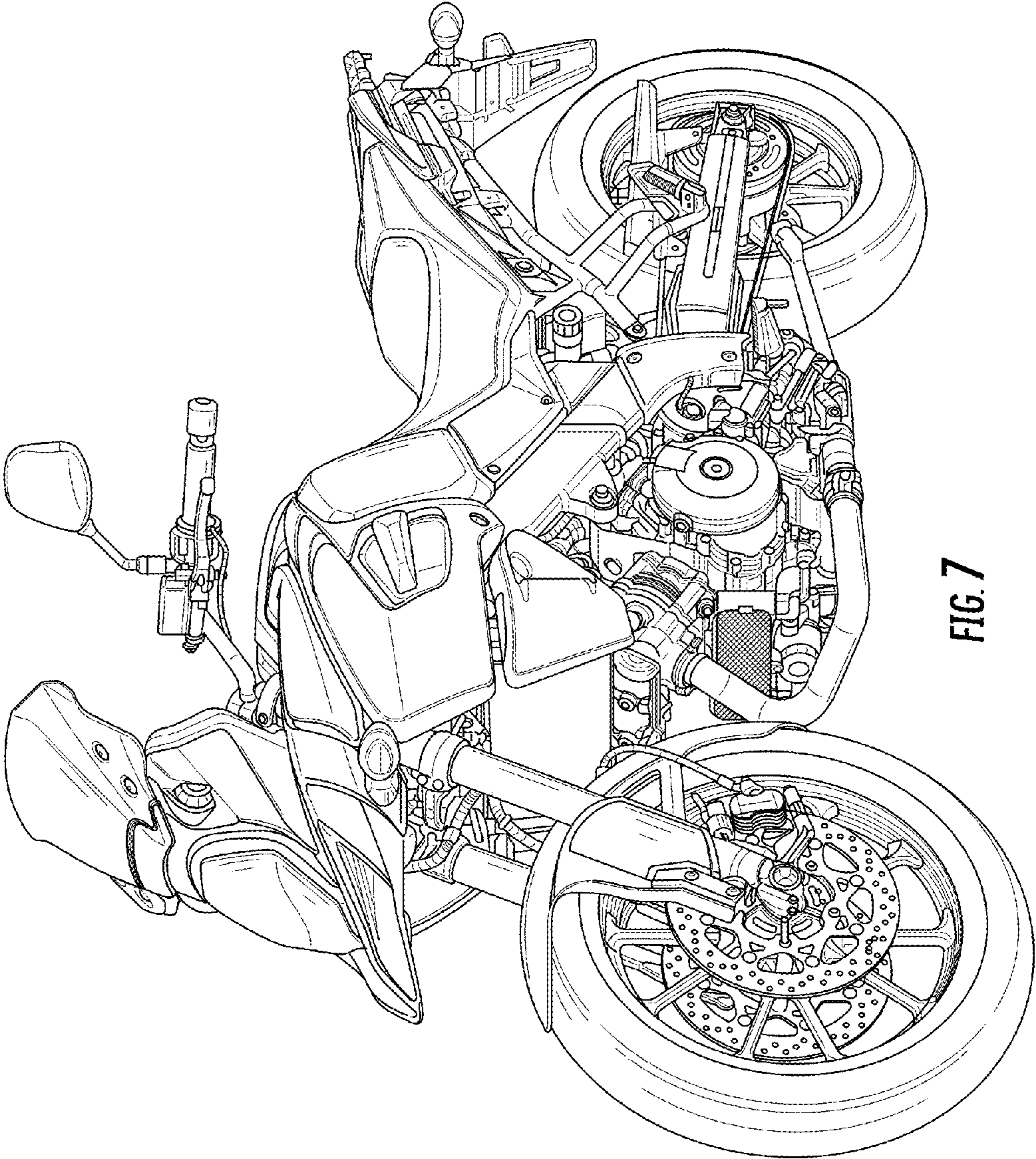


FIG. 7

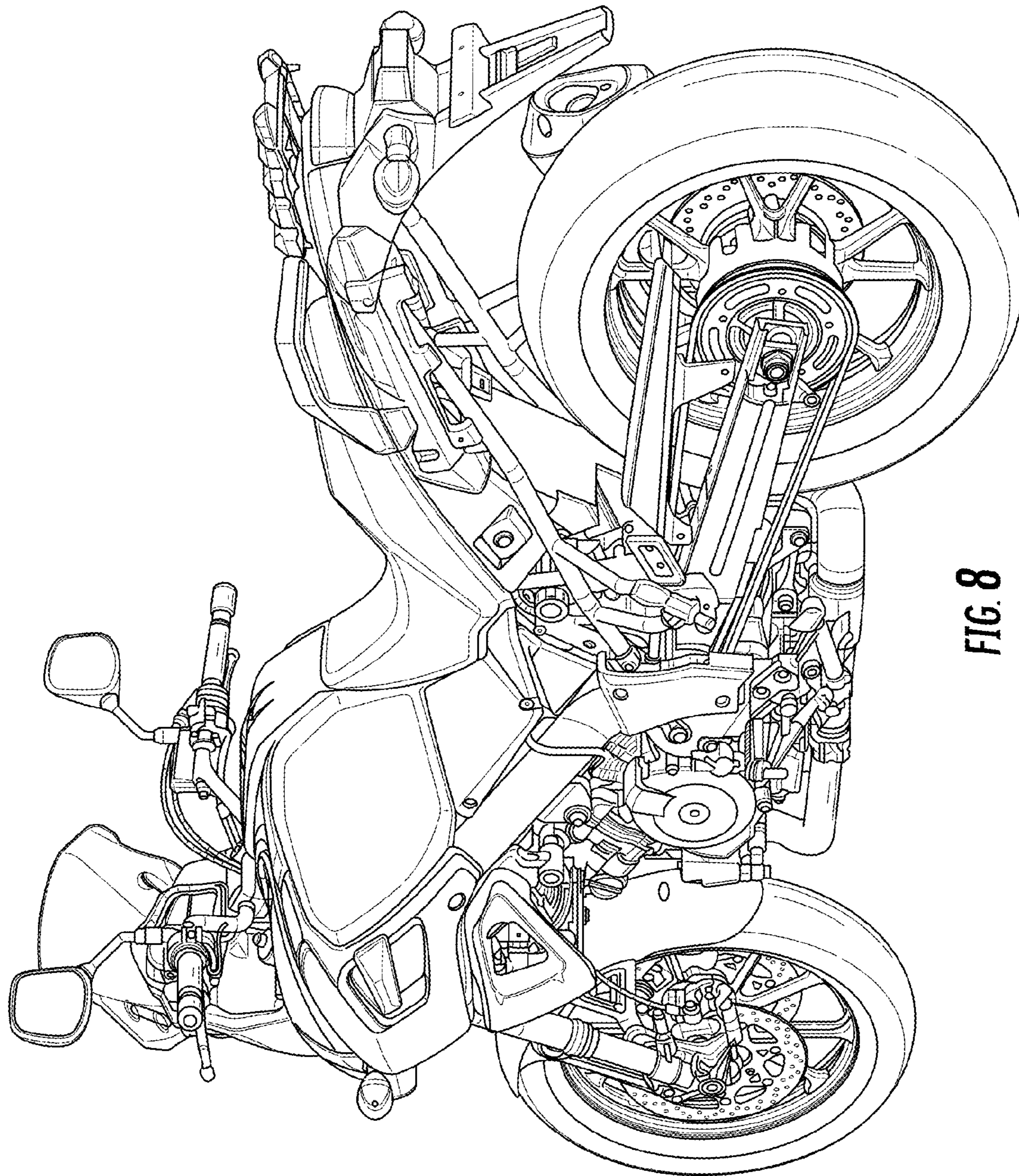


FIG. 8

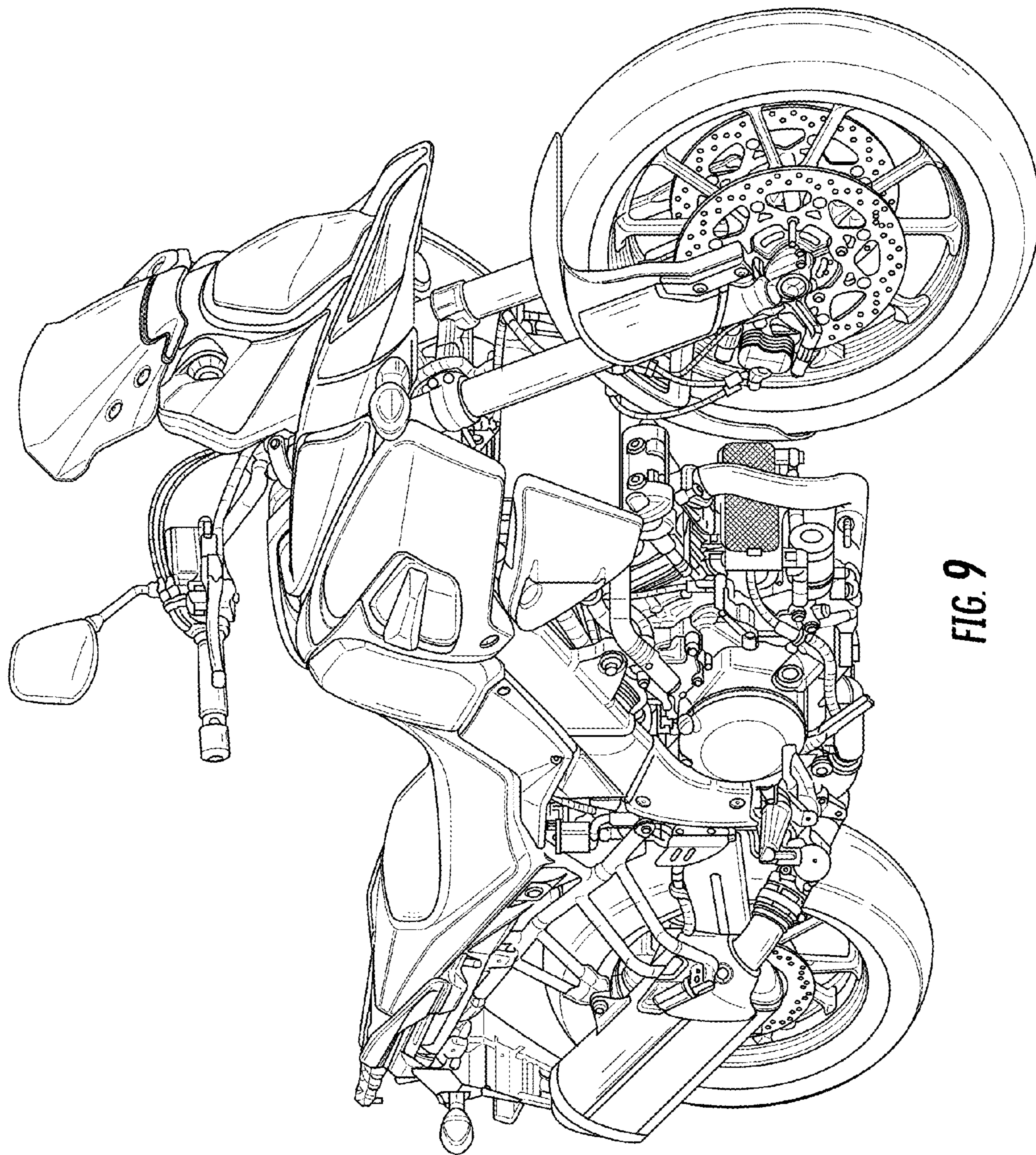


FIG. 9

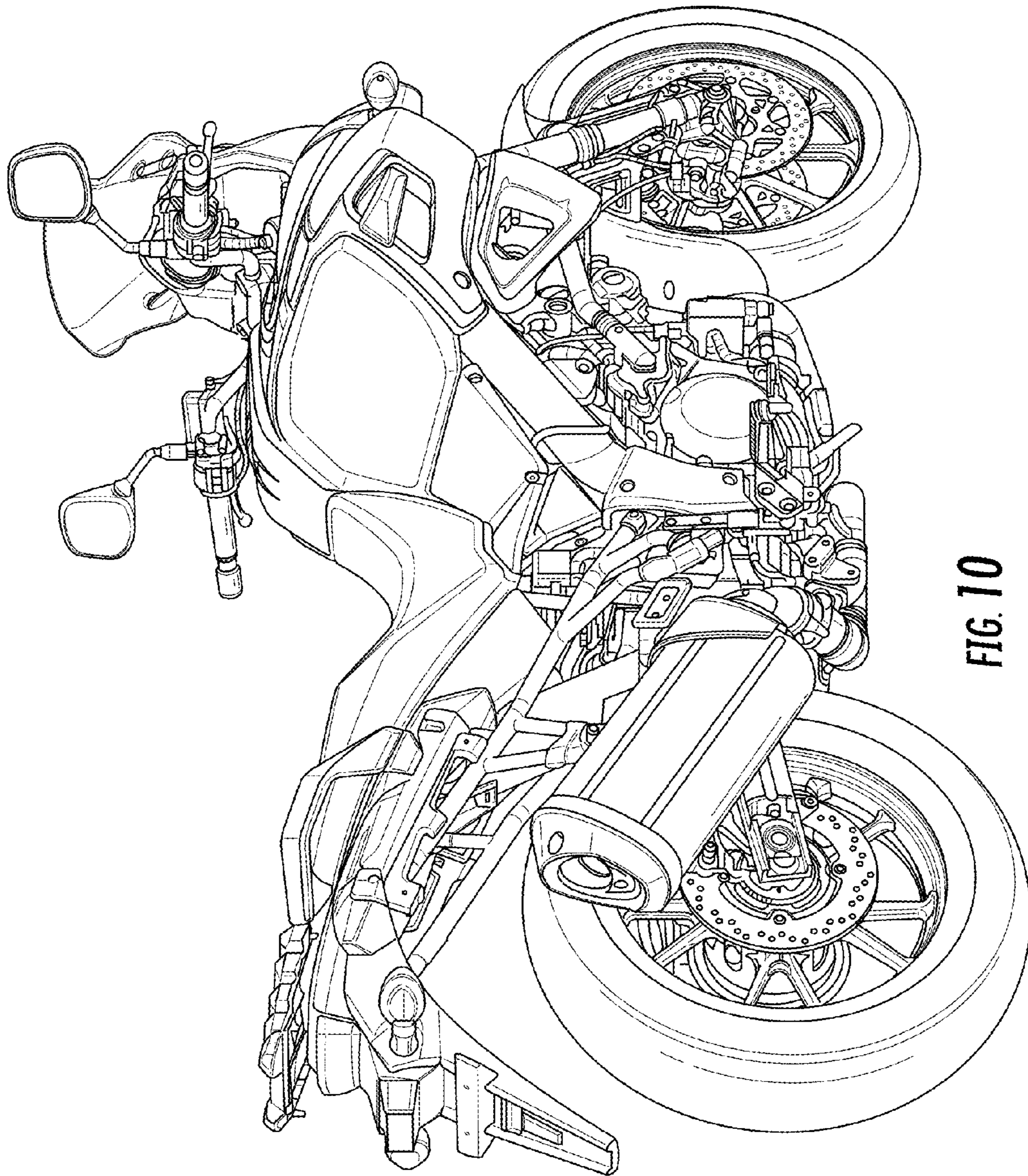


FIG. 10