

US00D693269S

(12) **United States Design Patent**
Bertken

(10) **Patent No.:** **US D693,269 S**

(45) **Date of Patent:** **** Nov. 12, 2013**

(54) **LIGHTED ZIPPER TAG**

(75) Inventor: **Dennis Bertken**, Del Mar, CA (US)

(73) Assignee: **Life+Gear, Inc.**, Del Mar, CA (US)

(**) Term: **14 Years**

(21) Appl. No.: **29/407,471**

(22) Filed: **Nov. 29, 2011**

(51) **LOC (9) Cl.** **05-07**

(52) **U.S. Cl.**

USPC **D11/221**

(58) **Field of Classification Search**

USPC D11/200, 201, 221; 24/381–383,
24/385–387, 414–417, 421–422, 427–431,
24/433; 2/265; D3/208

See application file for complete search history.

(56) **References Cited**

U.S. PATENT DOCUMENTS

D431,341 S * 9/2000 DiPaolo et al. D99/34
D442,363 S * 5/2001 Magid et al. D3/208
D463,104 S * 9/2002 Ames D3/207
D519,057 S * 4/2006 Gracer D11/221

D521,231 S * 5/2006 Ng D3/208
D619,499 S * 7/2010 Weyer et al. D11/221
D621,399 S * 8/2010 Ahlstrom D14/344

* cited by examiner

Primary Examiner — Ralf Seifert

(74) *Attorney, Agent, or Firm* — Marger, Johnson & McCollom, PC

(57) **CLAIM**

The ornamental design for lighted zipper tag, as shown and described.

DESCRIPTION

FIG. 1 is a frontward/topside perspective view of the lighted zipper tag device according to the present design;

FIG. 2 is a rearward/bottomside perspective view of the lighted zipper tag device of FIG. 1 according to the present design;

FIG. 3 is a top plan view thereof;

FIG. 4 is a left side, elevational view, the right side being a mirror image thereof;

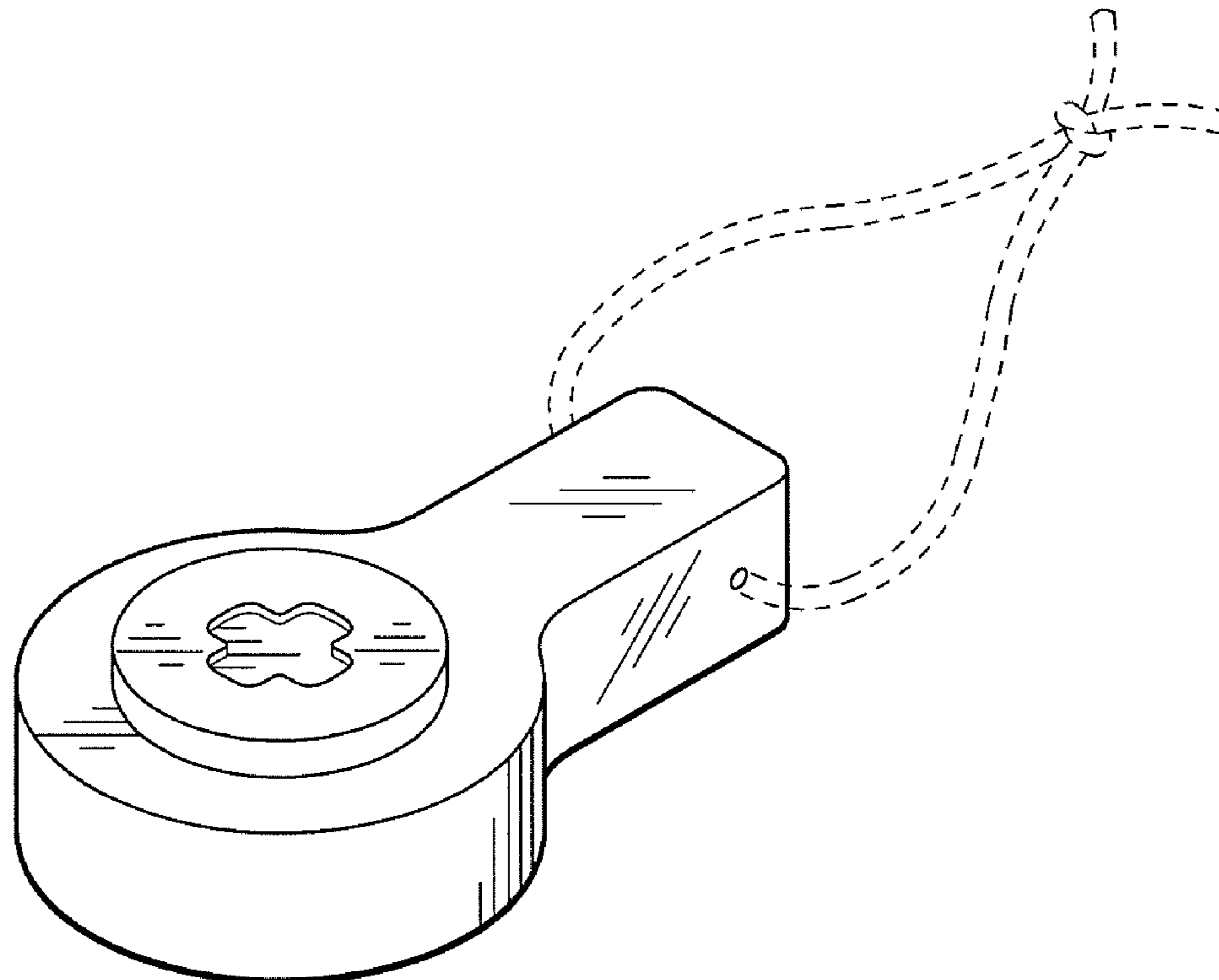
FIG. 5 is a front elevation view thereof;

FIG. 6 is a rear elevation view thereof; and,

FIG. 7 is a bottom plan view thereof.

The broken lines shown in the drawings are included for the purpose of illustrating environmental structures and form no part of the claimed design.

1 Claim, 2 Drawing Sheets



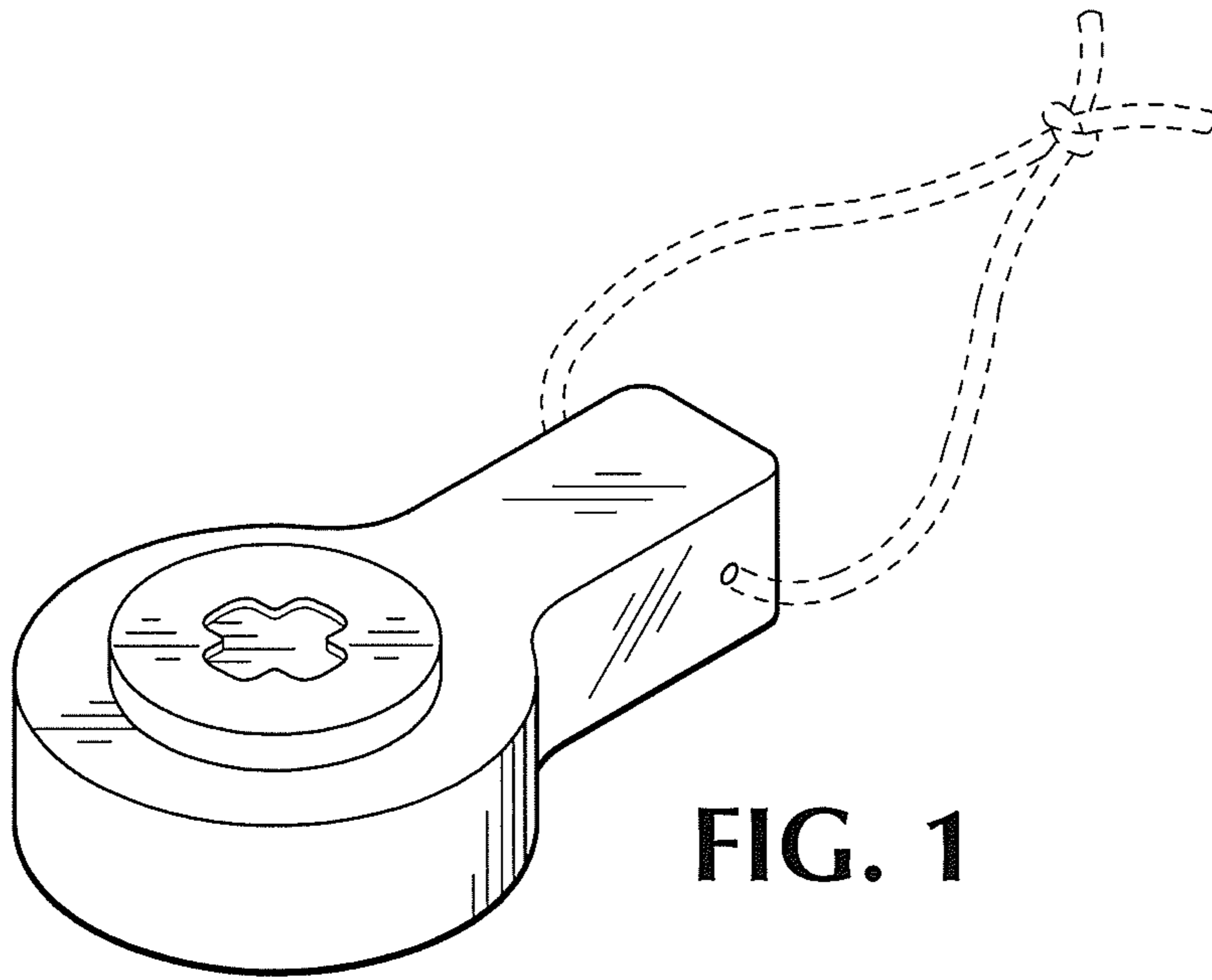


FIG. 1

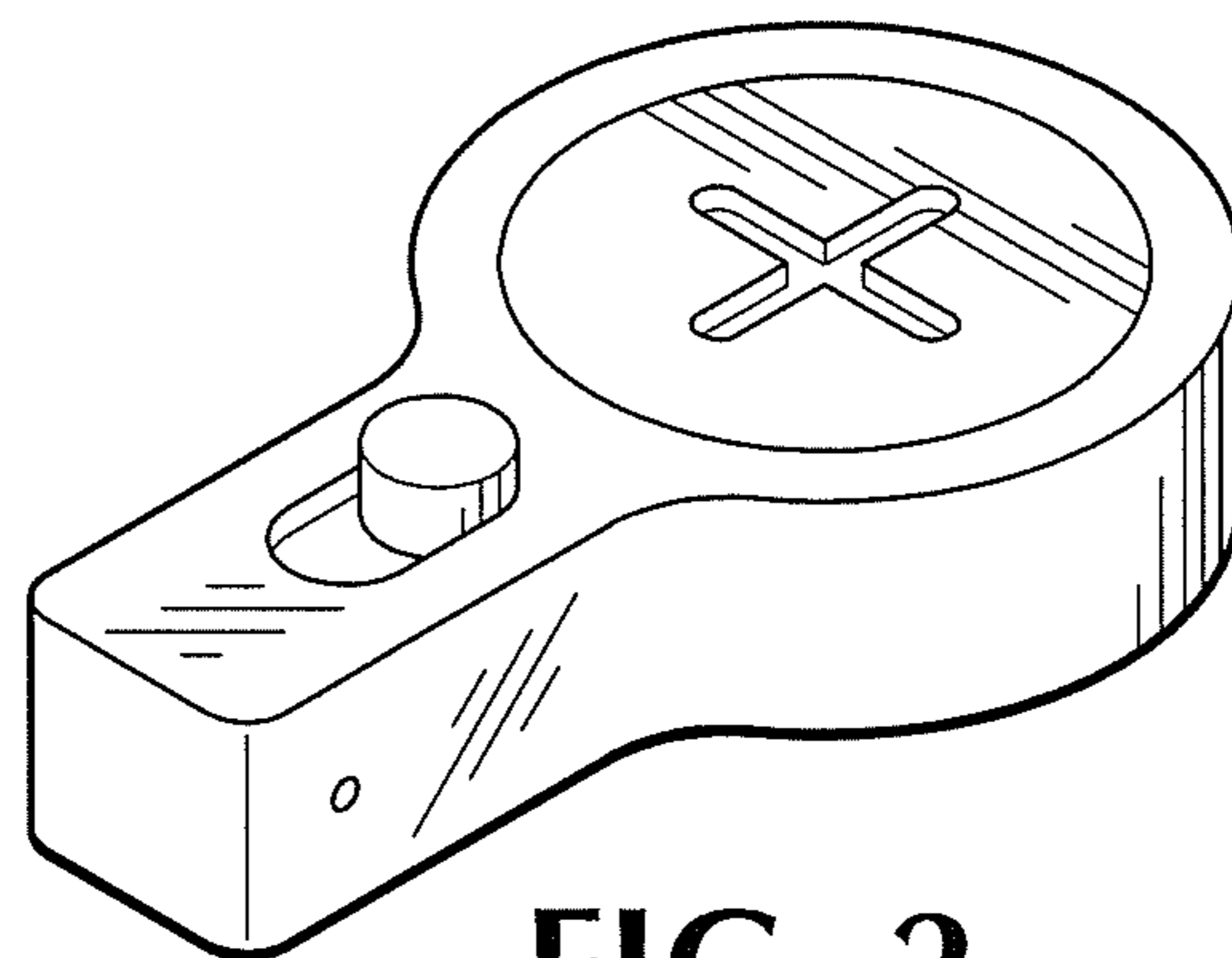


FIG. 2

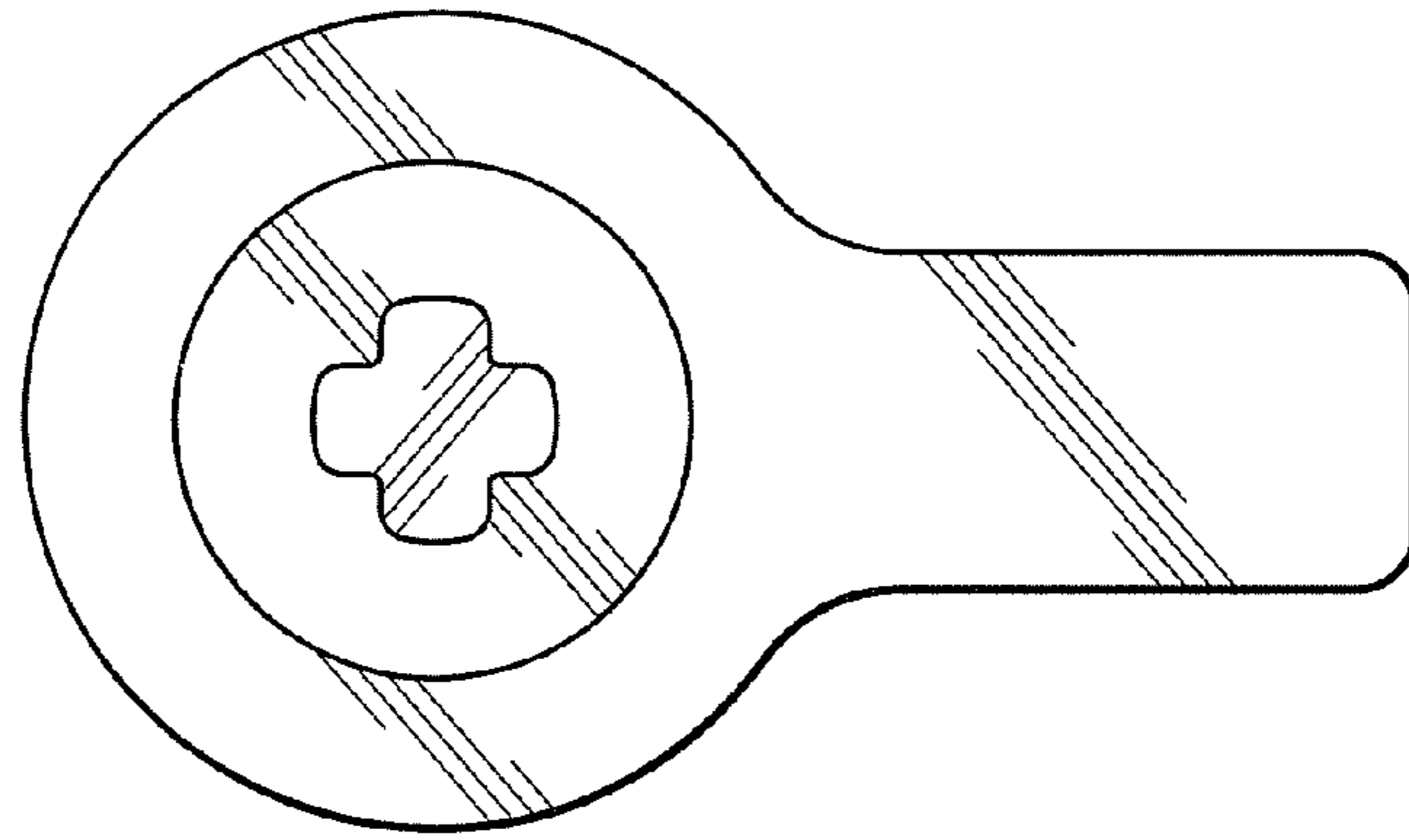


FIG. 3

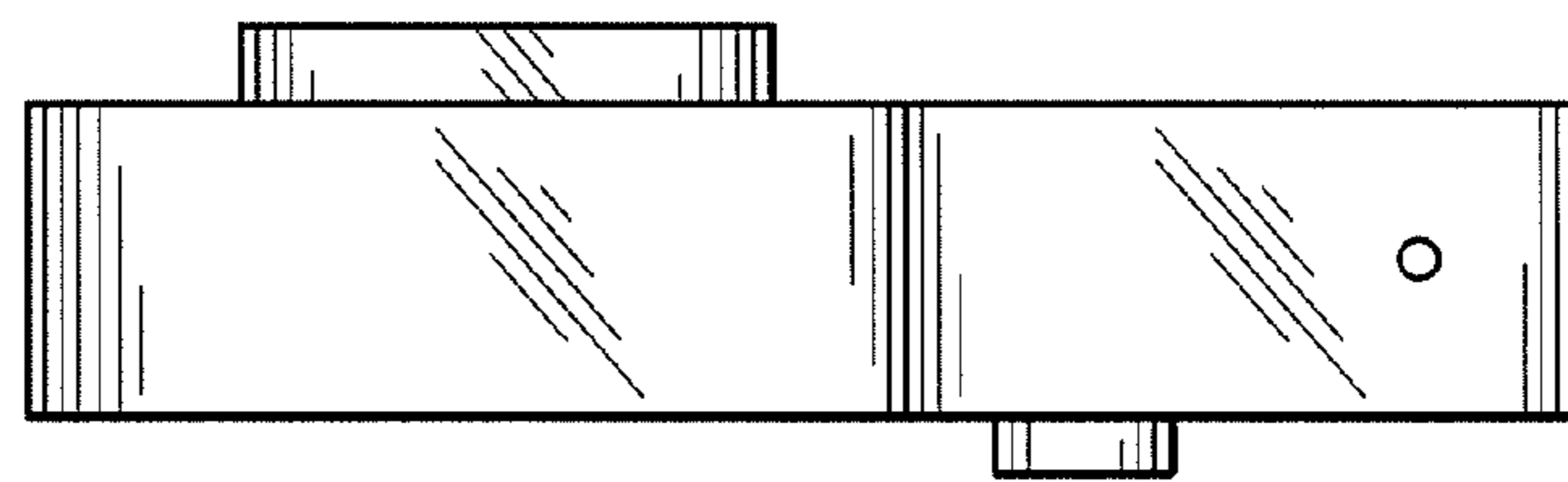


FIG. 4

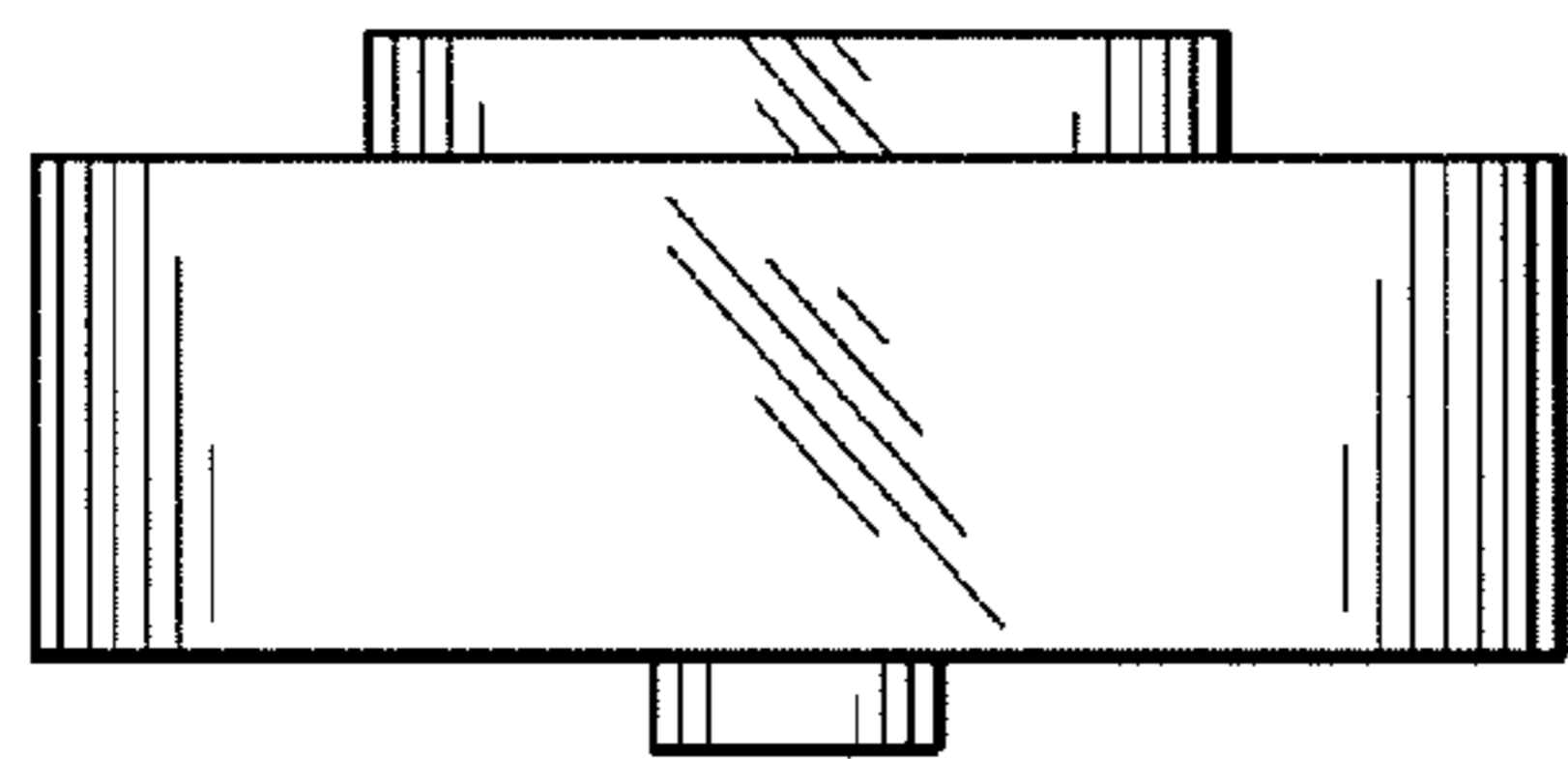


FIG. 5

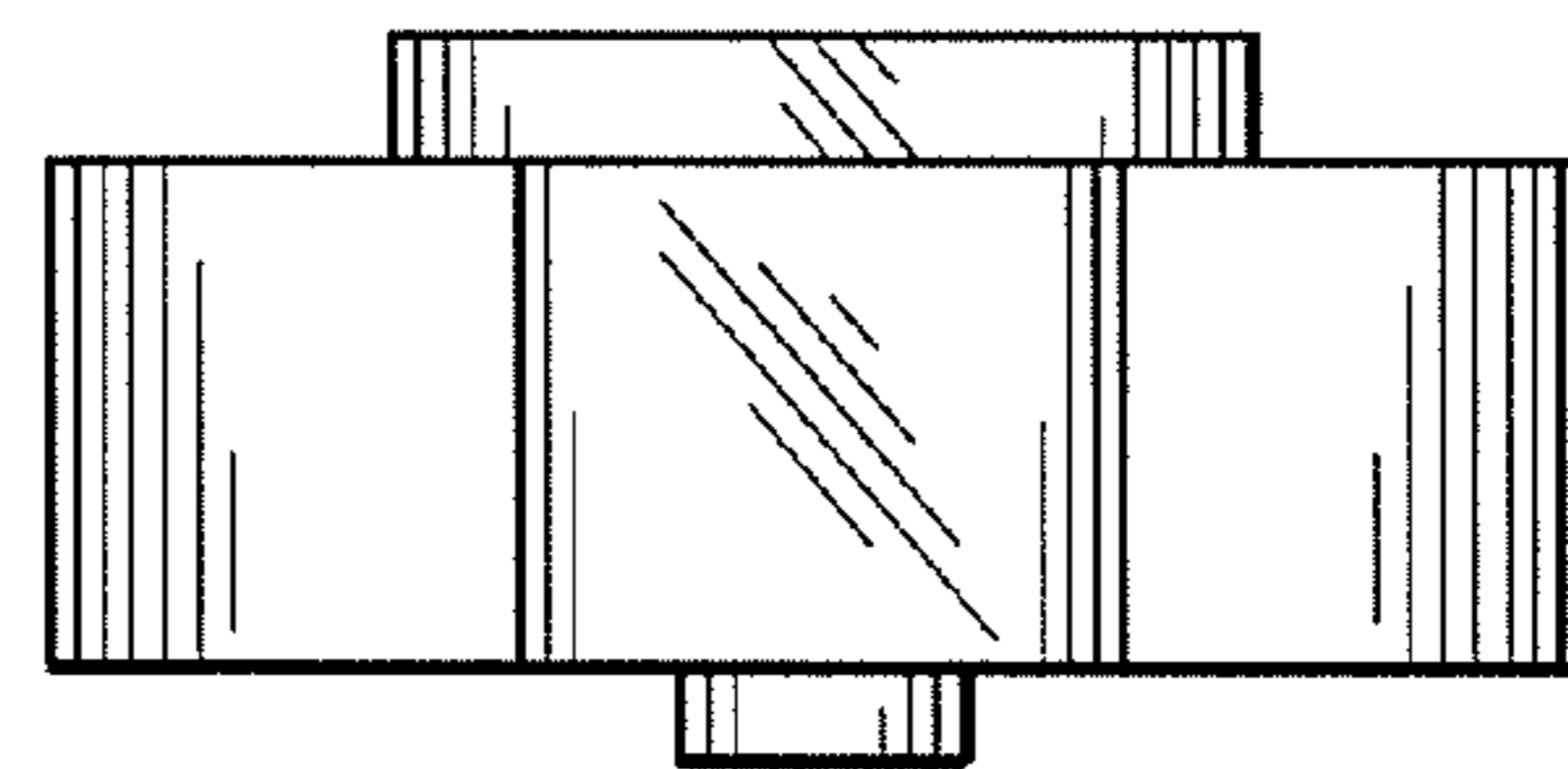


FIG. 6

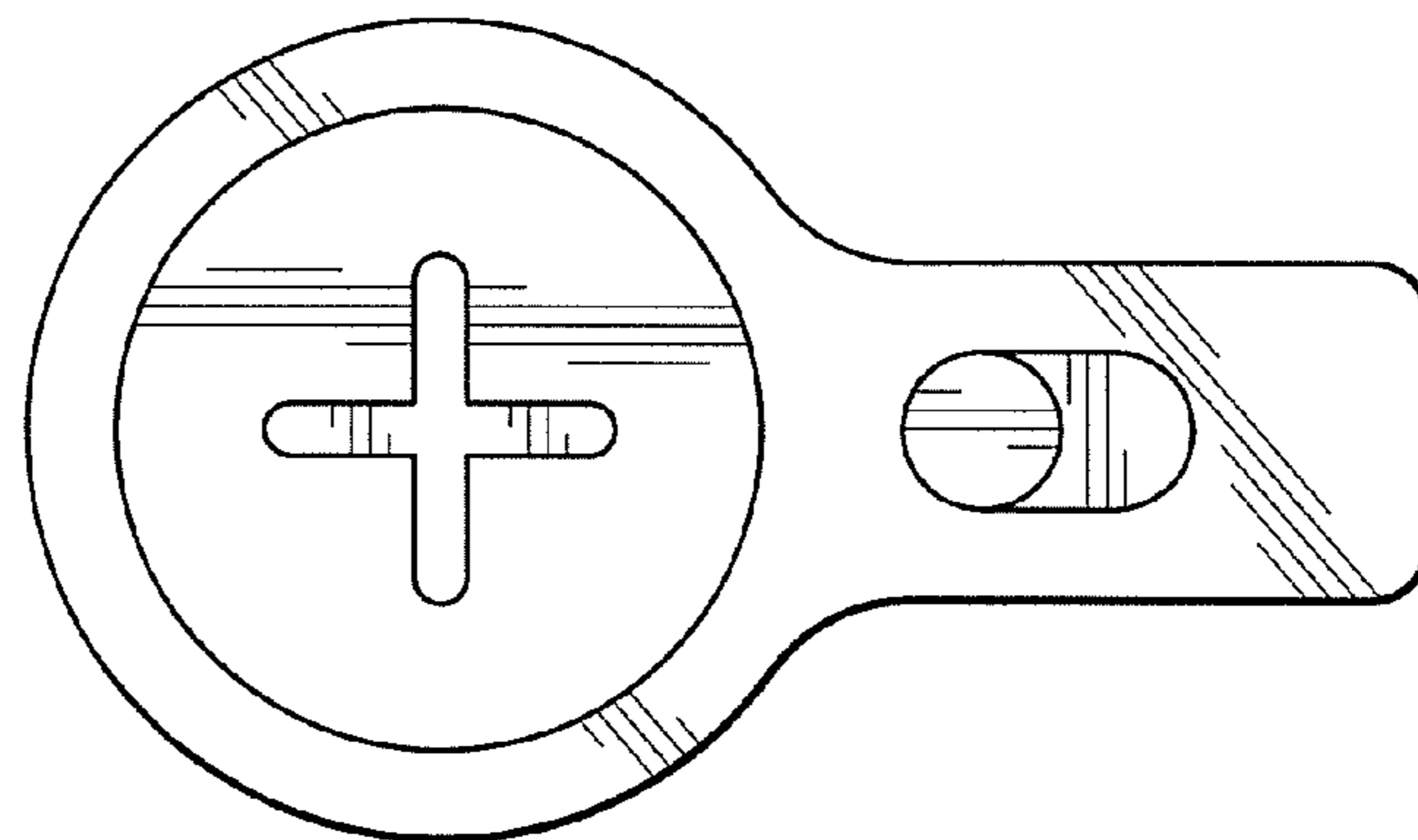


FIG. 7