



US00D693268S

(12) **United States Design Patent**
Ness et al.

(10) **Patent No.:** **US D693,268 S**

(45) **Date of Patent:** **** Nov. 12, 2013**

(54) **CONCRETE PLANTER BOX**

(75) Inventors: **John T. Ness**, Stillwater, MN (US);
Jeffrey A. Ness, Oak Park Heights, MN
(US)

(73) Assignee: **Ness Inventions, Inc.**, St. Paul, MN
(US)

(**) Term: **14 Years**

(21) Appl. No.: **29/373,230**

(22) Filed: **Mar. 16, 2011**

(51) **LOC (9) Cl.** **11-02**

(52) **U.S. Cl.**
USPC **D11/156**

(58) **Field of Classification Search**
USPC D6/403–405, 556–558; D8/1;
D11/143–156, 164; D19/77, 80, 81,
D19/84; D25/100; D26/9–11, 16, 19;
D34/1, 2, 4–6; D99/5, 19; 47/17, 32.4,
47/32.5, 33, 39, 41.01, 41.1, 41.11–41.15,
47/44–47, 65, 65.5, 65.9, 66.1, 66.6, 66.7,
47/67–71

See application file for complete search history.

(56) **References Cited**

U.S. PATENT DOCUMENTS

D194,429 S * 1/1963 Kuhn D11/156
D256,344 S * 8/1980 Schneck D11/156

D359,013 S * 6/1995 Carlson D11/156
D385,507 S * 10/1997 Hulsebus D11/156
D415,065 S * 10/1999 Grosfillex D11/155
D423,406 S * 4/2000 Grosfillex D11/155
D424,472 S * 5/2000 Grosfillex D11/155
D426,490 S * 6/2000 Grosfillex D11/155
D446,157 S * 8/2001 Glenn D11/156
D468,663 S * 1/2003 Fan D11/156
2012/0117870 A1 * 5/2012 Ness et al. 47/65.7

* cited by examiner

Primary Examiner — Garth Rademaker

(74) *Attorney, Agent, or Firm* — Dicke, Billig & Czaja,
PLLC

(57) **CLAIM**

The ornamental design for a concrete planter box, as shown
and described.

DESCRIPTION

FIG. 1 is a perspective view of a concrete planter box showing
the present invention;

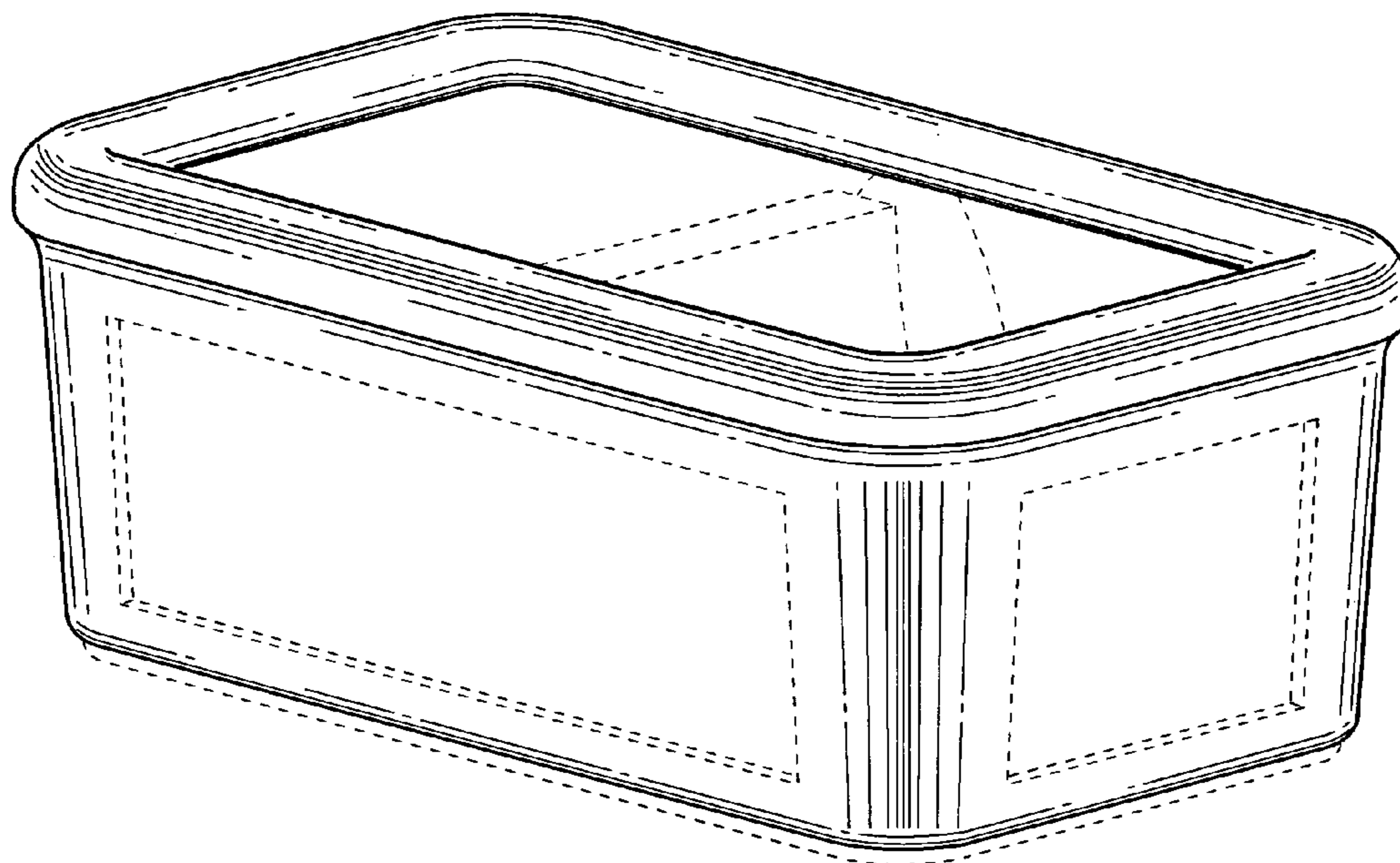
FIG. 2 is a top view thereof;

FIG. 3 is a left side view thereof, the right side being identical
thereto; and,

FIG. 4 is an end view thereof, the opposite end being identical
thereto.

The broken lines show internal surfaces, portions of the sides
and ends, and the bottom of the concrete planter box. None of
the broken lines form any part of the claimed design.

1 Claim, 4 Drawing Sheets



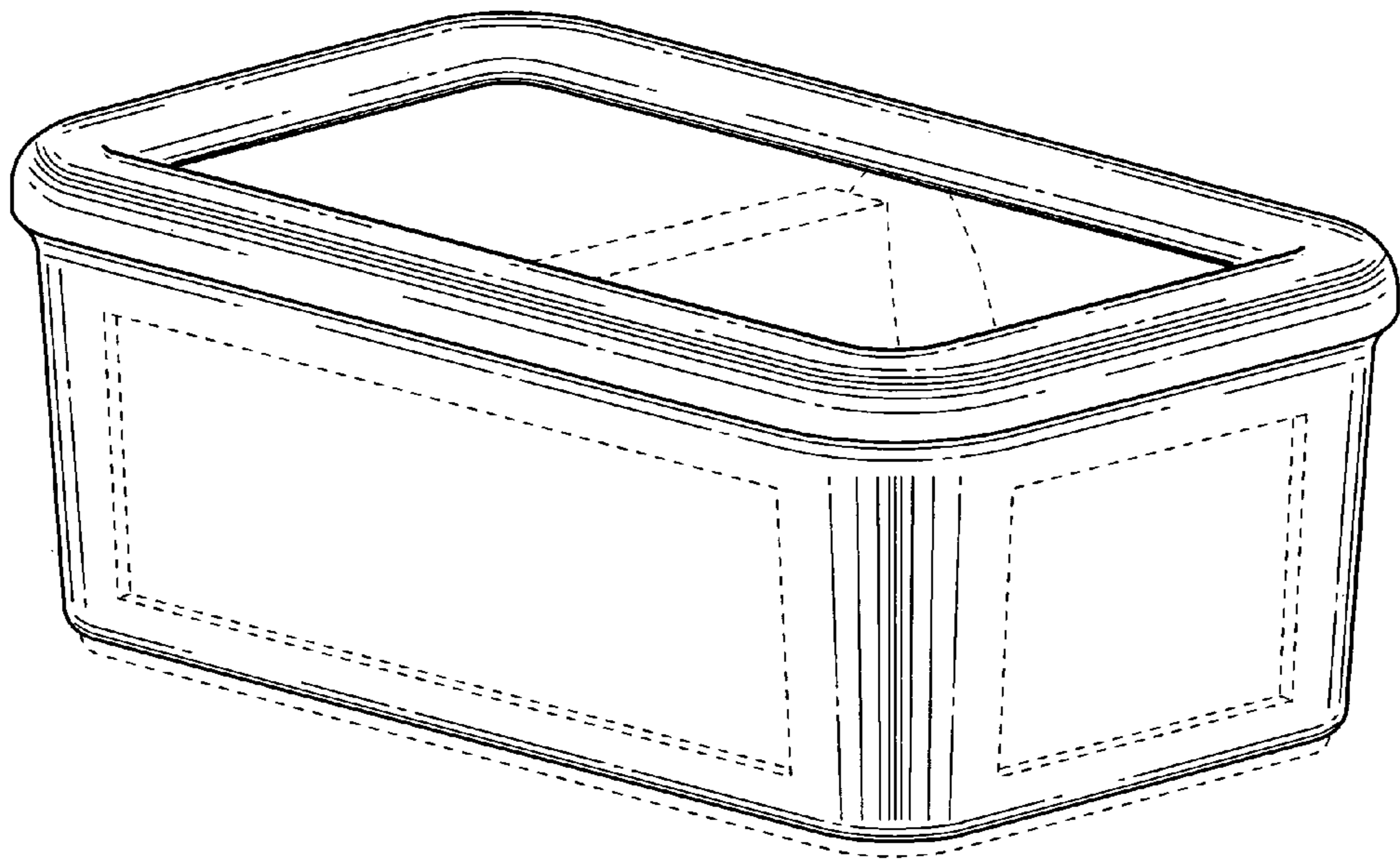


Fig. 1

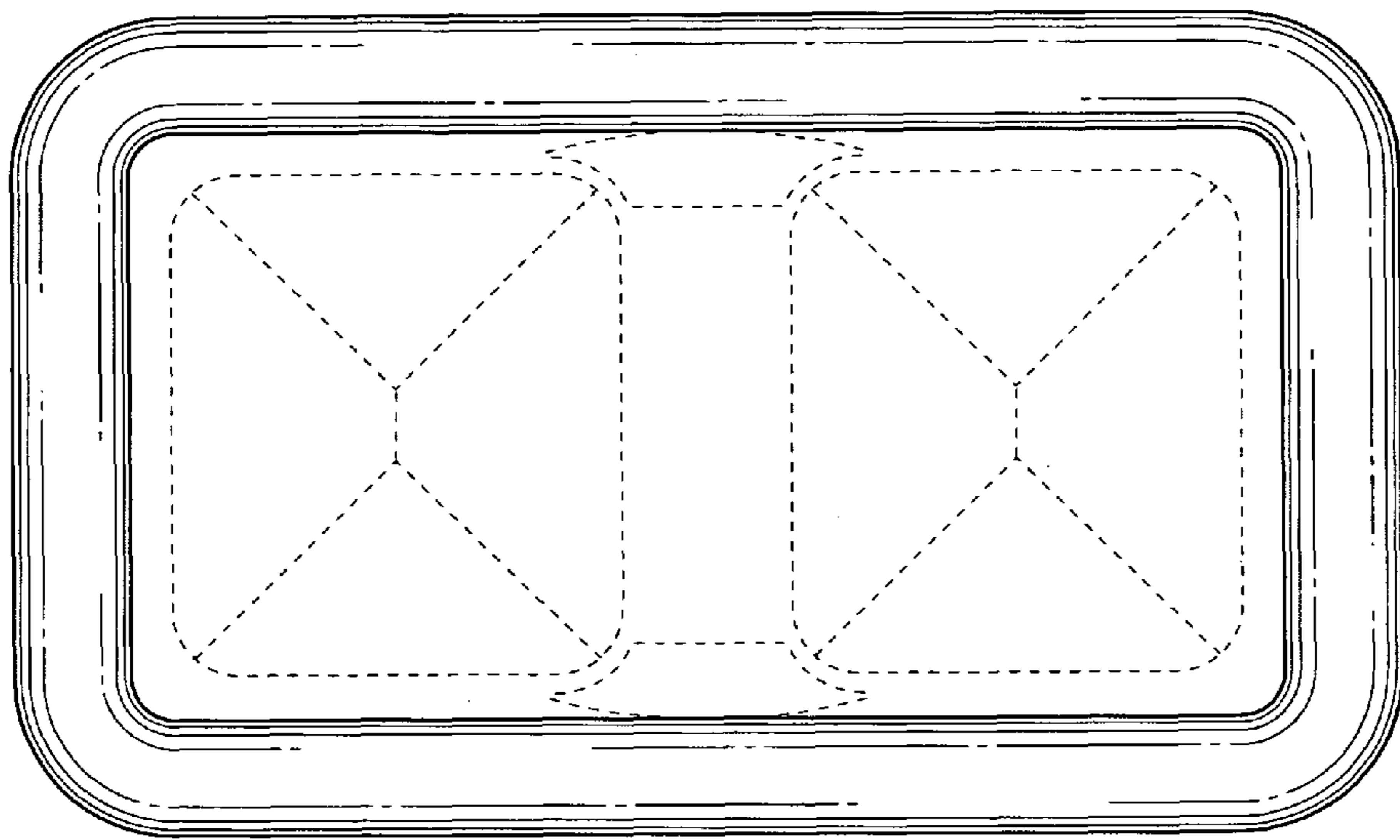


Fig. 2



Fig. 3

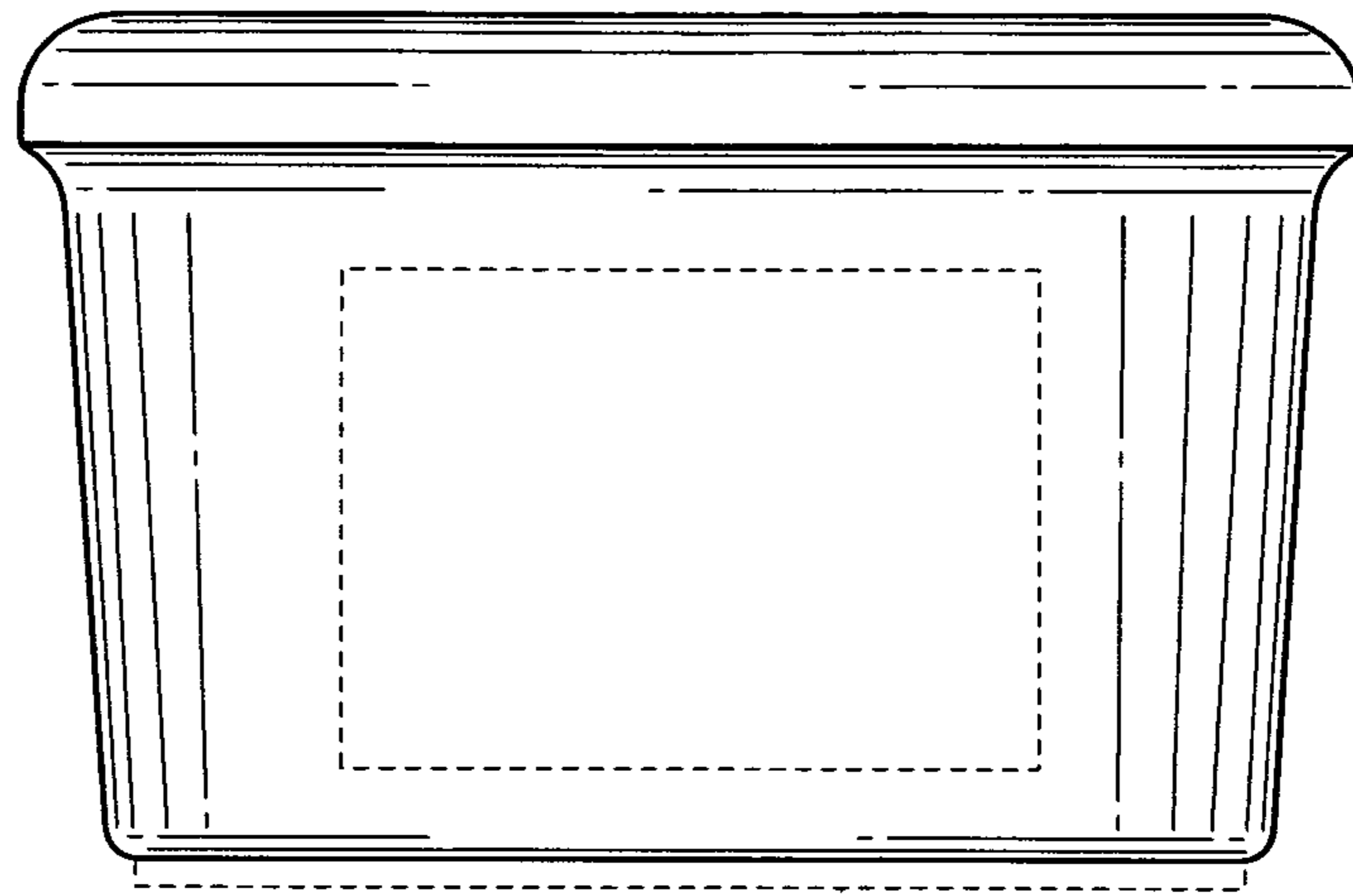


Fig. 4