



US00D693259S

(12) **United States Design Patent**
Dholakiya

(10) **Patent No.:** **US D693,259 S**

(45) **Date of Patent:** **** Nov. 12, 2013**

(54) **GEMSTONE RING**

(76) Inventor: **Hasmukh Dholakiya**, North Bergen, NJ
(US)

(**) Term: **14 Years**

(21) Appl. No.: **29/420,045**

(22) Filed: **May 3, 2012**

(51) **LOC (9) Cl.** **11-01**

(52) **U.S. Cl.**
USPC **D11/34**

(58) **Field of Classification Search**
USPC D11/3, 26-39, 91, 92; 63/15,
63/15.1-15.4, 15.45, 15.5, 15.6, 15.65,
63/26-28

See application file for complete search history.

(56) **References Cited**

U.S. PATENT DOCUMENTS

D137,409 S *	3/1944	Granat	D11/34
D300,308 S *	3/1989	Deain	D11/34
D349,072 S *	7/1994	Ambar	D11/34
5,727,399 A *	3/1998	Bergagnini	63/15.4
D421,404 S *	3/2000	Canale	D11/26
D446,149 S *	8/2001	Itzkowitz	D11/36
D472,496 S *	4/2003	Ambar	D11/34
D508,073 S *	8/2005	Shah	D11/34
D512,658 S *	12/2005	Aghjayan et al.	D11/34
D538,700 S *	3/2007	Stipek	D11/36
D581,308 S *	11/2008	Fernandez	D11/34
D614,065 S *	4/2010	Vagal	D11/34
D614,068 S *	4/2010	Vagal	D11/34
D614,071 S *	4/2010	Vagal	D11/35
D614,072 S *	4/2010	Vagal	D11/35
D615,446 S *	5/2010	Vagal	D11/34
D615,900 S *	5/2010	Chawla	D11/34
D647,419 S *	10/2011	Wong	D11/34

D652,340 S *	1/2012	Kaufmann	D11/34
D653,581 S *	2/2012	Kaufmann	D11/34
2009/0235689 A1 *	9/2009	Slowinski	63/15

OTHER PUBLICATIONS

[online] http://s.shld.net/is/image/Sears/04435345090_20100722080125589?hei=315&wid=315&op_sharpen=1&resMode=sharp&op_usm=0.9,0.5,0,0 Retrieved Sep. 6, 2012.*

[online] http://www.michaelcfina.com/mcfina_images/fluid/customers/c905/PL/07/35/VI/CR/00/47/generated/PL0735VICR0047_default_1_250x250.jpg. Retrieved Sep. 6, 2012.*

[online] <http://ak1.ostkcdn.com/images/products/P11418179.jpg>. Retrieved Sep. 6, 2012.*

* cited by examiner

Primary Examiner — Cathron Brooks

Assistant Examiner — Melanie Pellegrini

(74) *Attorney, Agent, or Firm* — Jennifer Meredith, Esq.;
Meredith & Keyhani, PLLC

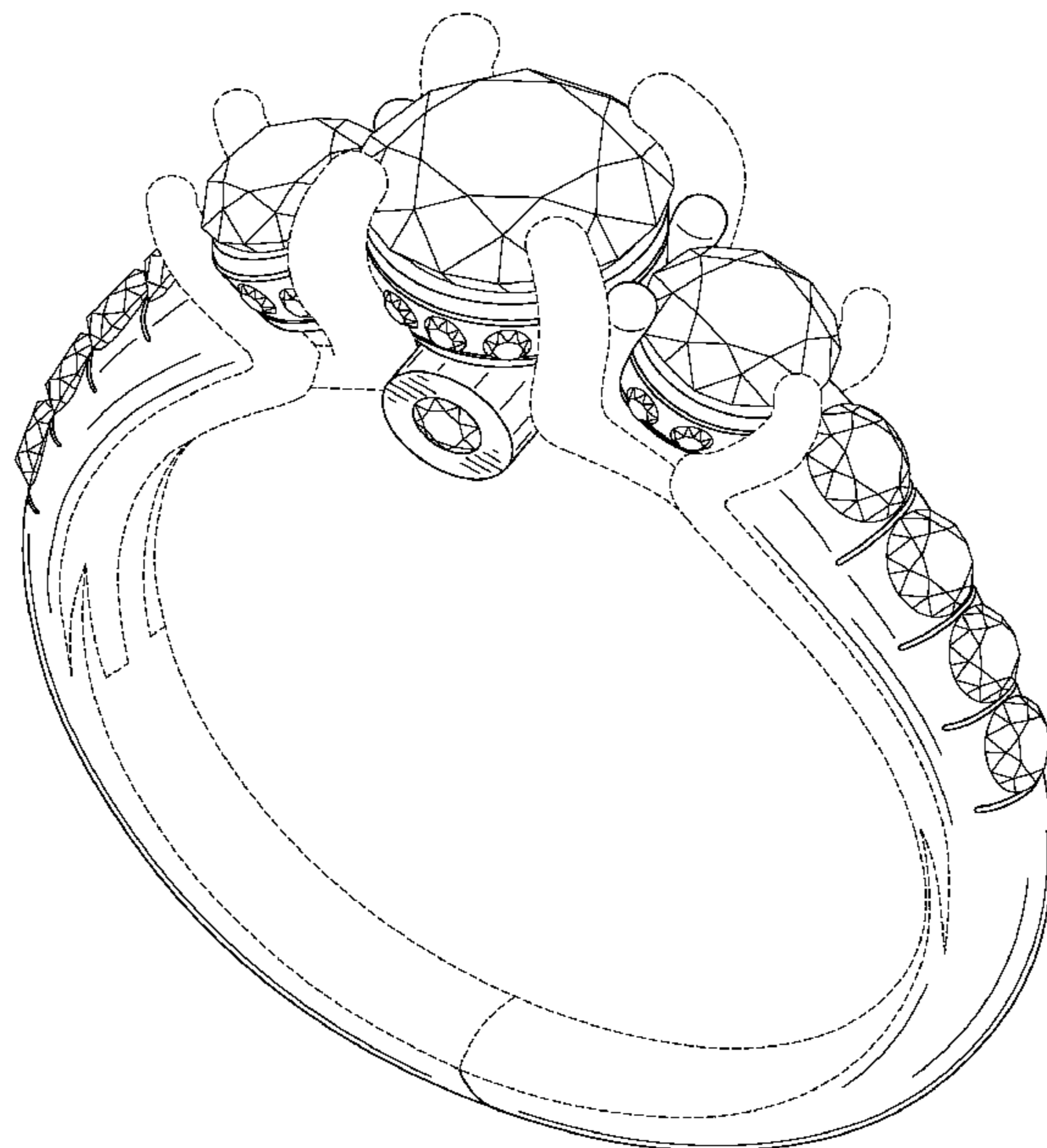
(57) **CLAIM**

I claim the ornamental design for the gemstone ring, as shown and described.

DESCRIPTION

FIG. 1 is a front view of the gemstone ring;
FIG. 2 is a side view of the gemstone ring;
FIG. 3 is a top view of the gemstone ring;
FIG. 4 is a bottom view of the gemstone ring; and,
FIG. 5 is a perspective top view of the gemstone ring.
The broken lines shown in the drawings illustrate portions of the gemstone ring which form no part of the claimed design.

1 Claim, 4 Drawing Sheets



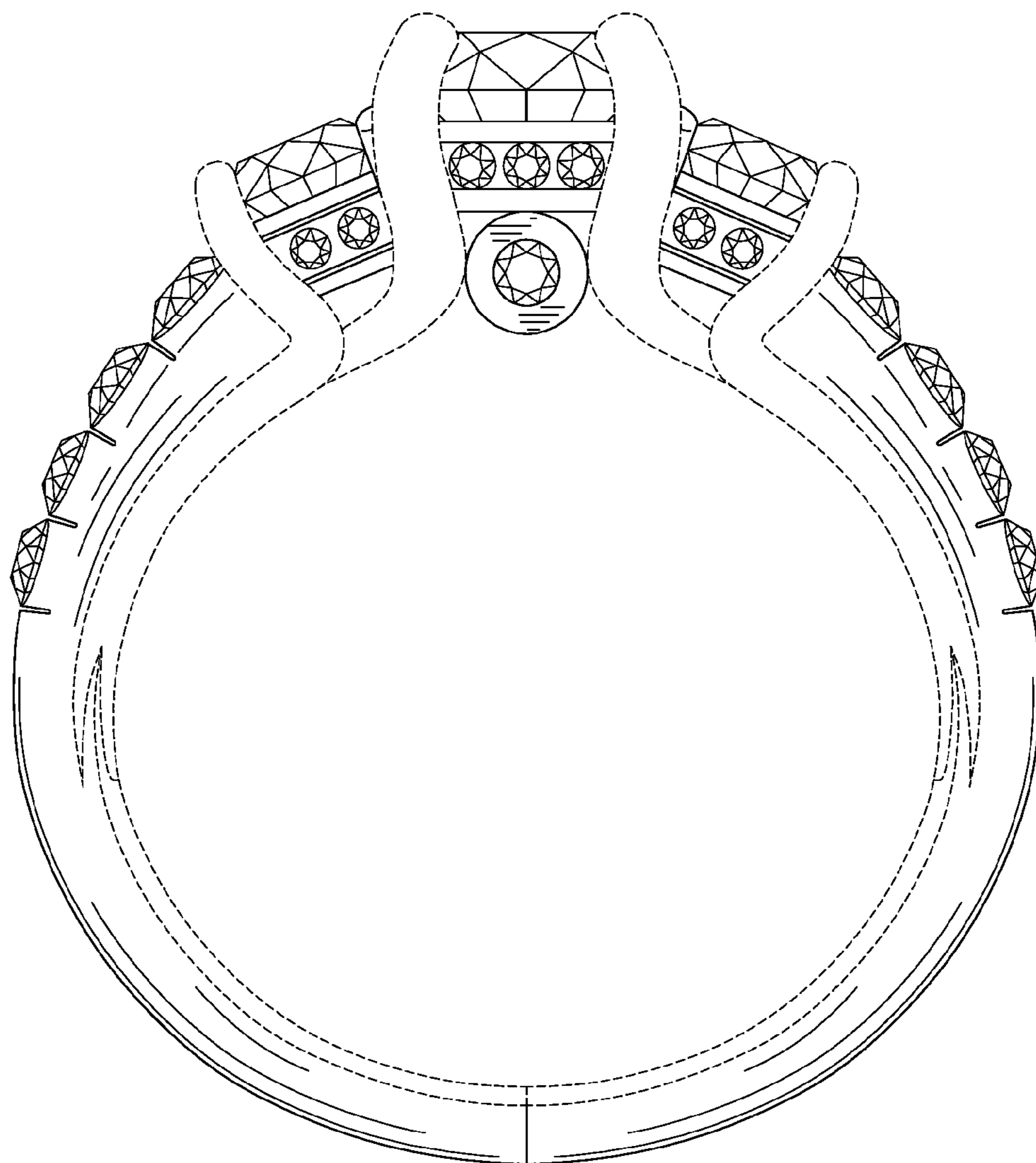


FIG. 1

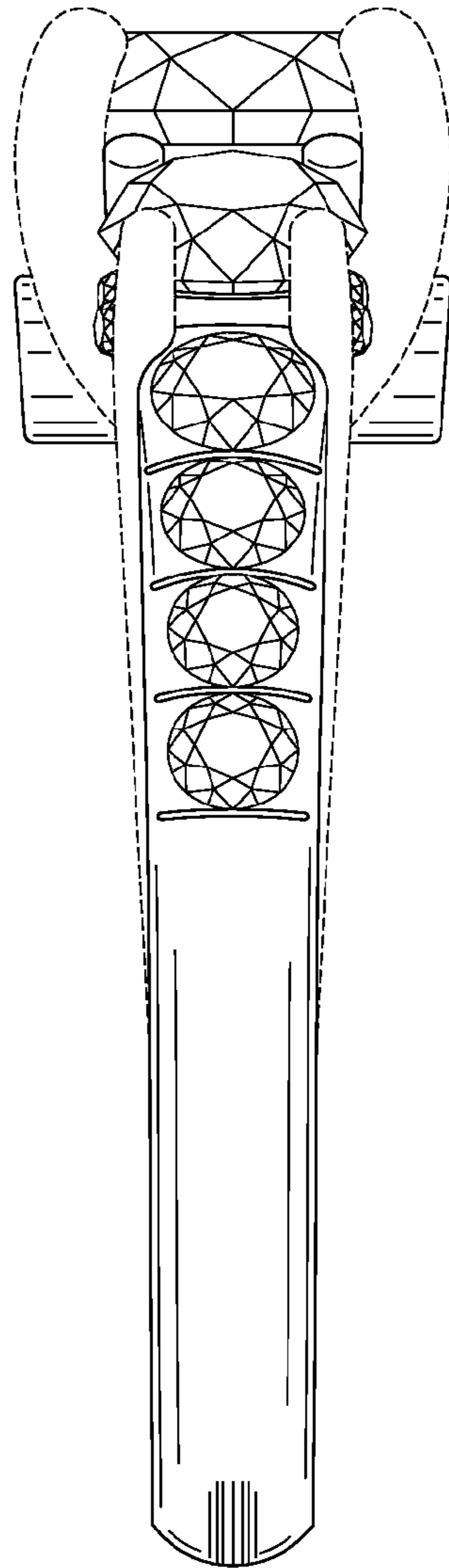


FIG. 2

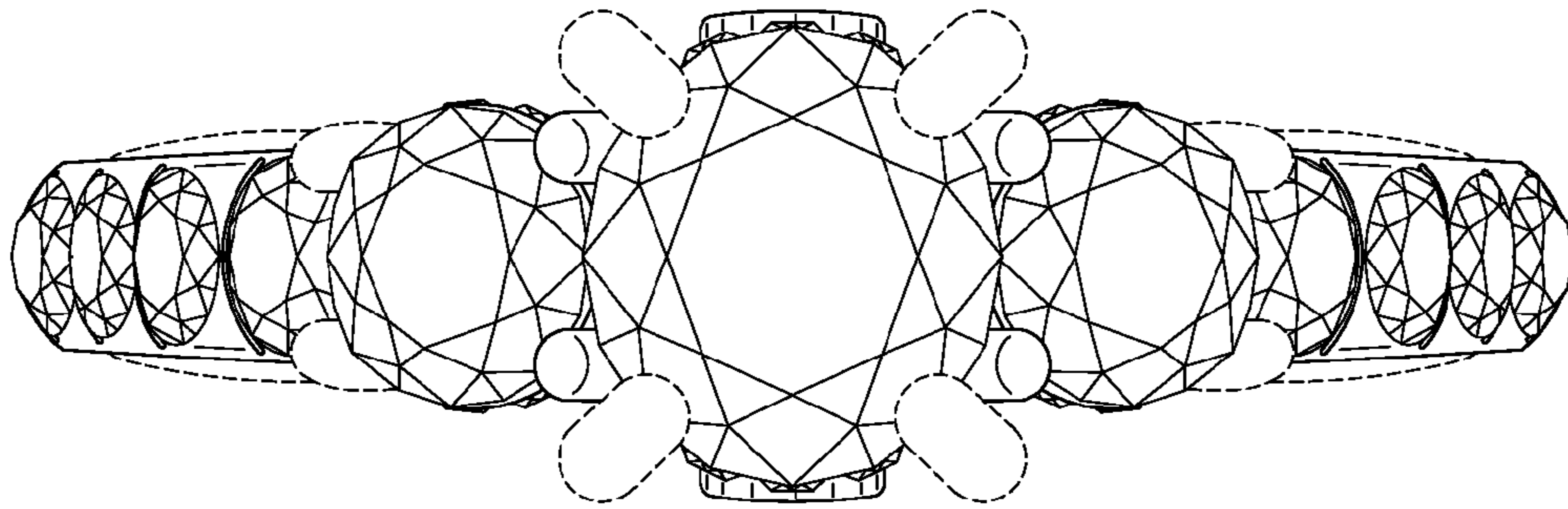


FIG. 3

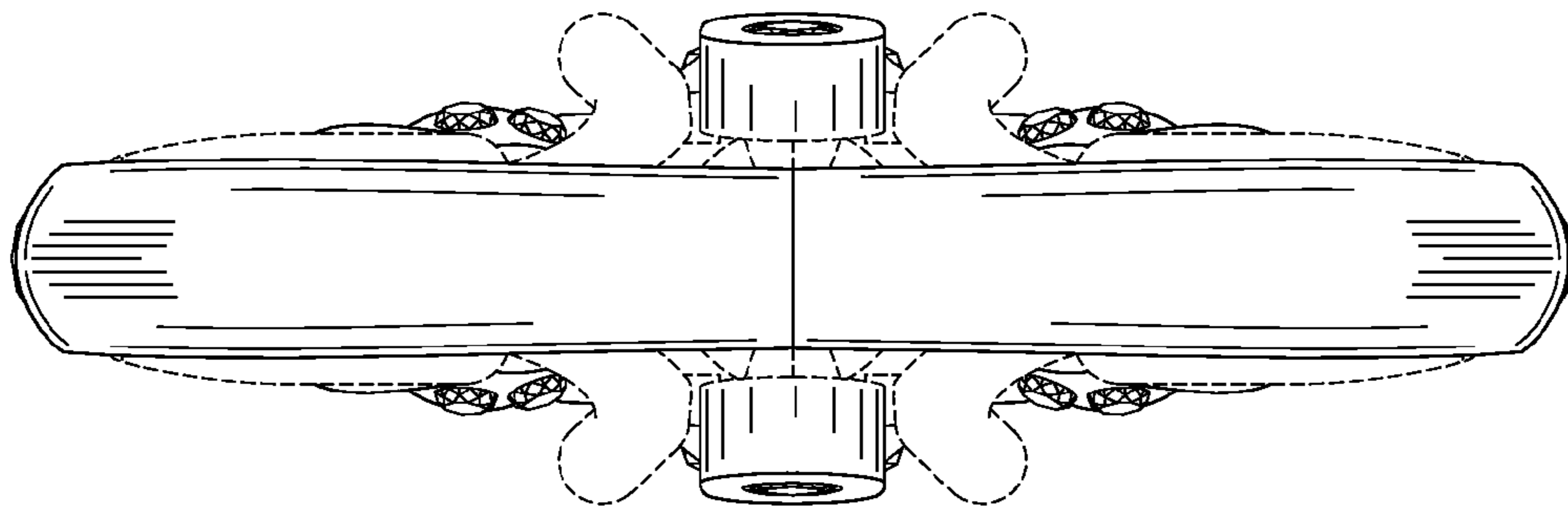


FIG. 4

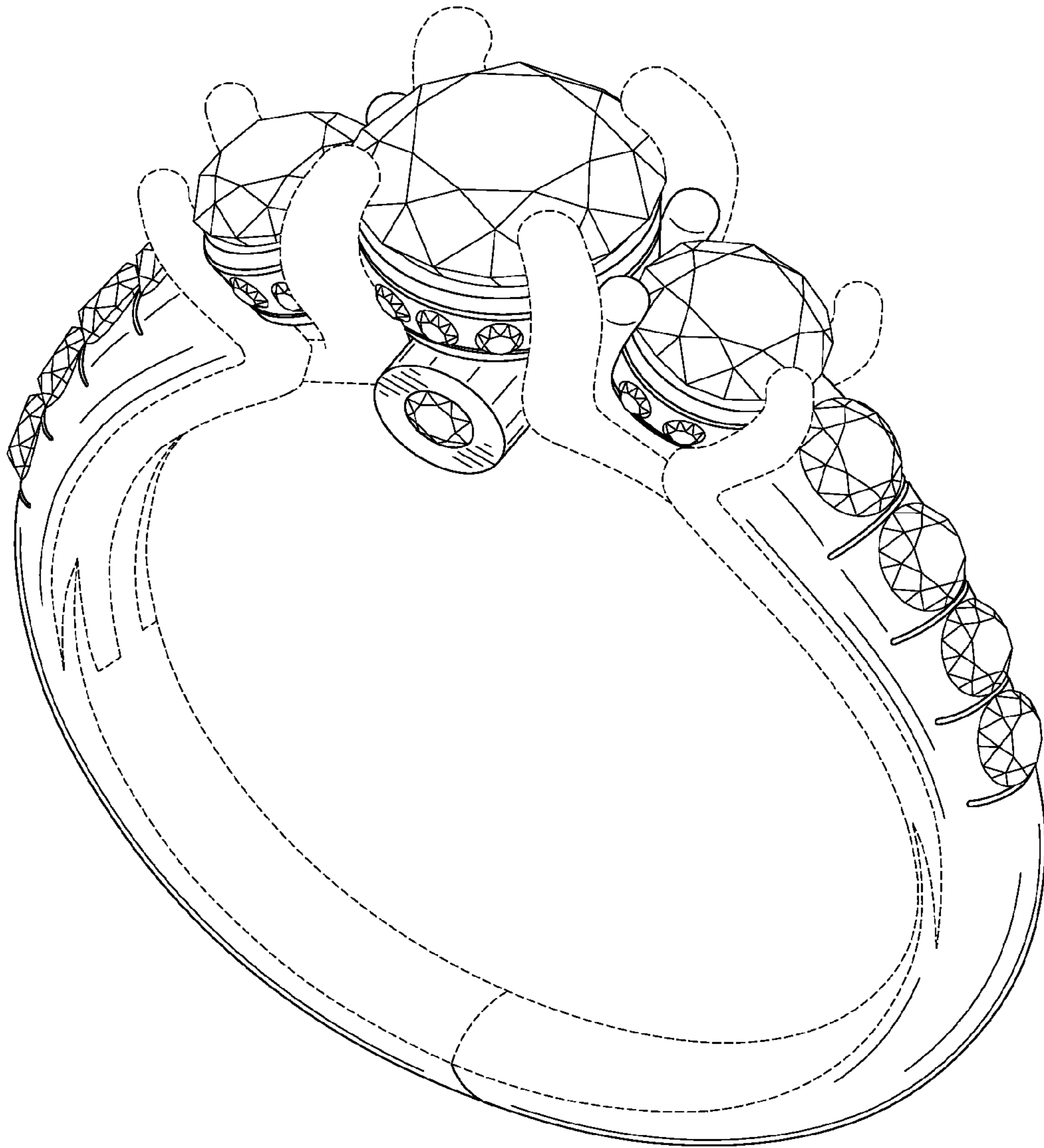


FIG. 5