



US00D693255S

(12) **United States Design Patent**
Mork

(10) **Patent No.:** **US D693,255 S**

(45) **Date of Patent:** **** Nov. 12, 2013**

(54) **FLOAT FOR SEISMIC DEFLECTOR**

(75) Inventor: **Karl-Johan Mork**, Ulsteinvik (NO)

(73) Assignee: **Baro Mek. Verksted AS**, Fosnavag (NO)

(**) Term: **14 Years**

(21) Appl. No.: **29/425,702**

(22) Filed: **Jun. 26, 2012**

(51) **LOC (9) Cl.** **10-04**

(52) **U.S. Cl.**
USPC **D10/83**

(58) **Field of Classification Search**
USPC 114/245, 246, 253; 405/63; 367/16;
D10/83-85, 94; D12/181, 223, 317
See application file for complete search history.

(56) **References Cited**

U.S. PATENT DOCUMENTS

5,357,892	A *	10/1994	Vatne et al.	114/244
5,722,794	A *	3/1998	Friederich et al.	405/171
6,234,102	B1 *	5/2001	Russell et al.	114/253
6,945,836	B1 *	9/2005	Lorier	114/253
7,028,631	B2 *	4/2006	August	114/245
7,658,161	B2 *	2/2010	Toennessen et al.	114/246
7,660,190	B2 *	2/2010	Keskes et al.	367/16

8,104,420	B2 *	1/2012	Wiggins et al.	114/253
2006/0176774	A1 *	8/2006	Toennessen	367/16
2008/0022913	A1 *	1/2008	Toennessen et al.	114/245
2011/0188934	A1 *	8/2011	Heimtun et al.	405/63
2012/0067265	A1 *	3/2012	Valo	114/253
2012/0125249	A1 *	5/2012	Oxseth et al.	114/253

* cited by examiner

Primary Examiner — Antoine D Davis

(74) *Attorney, Agent, or Firm* — Birch, Stewart, Kolasch & Birch, LLP

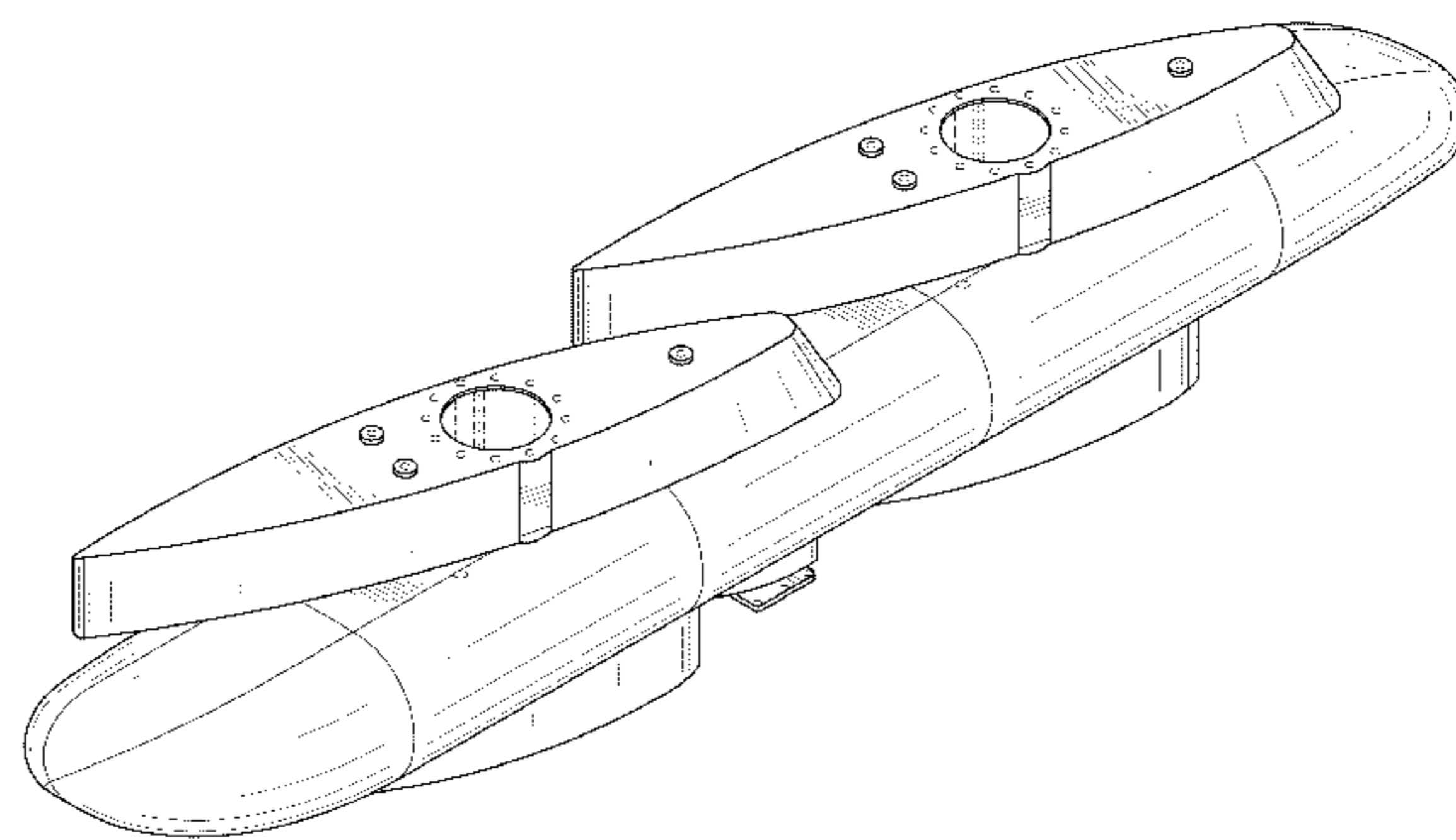
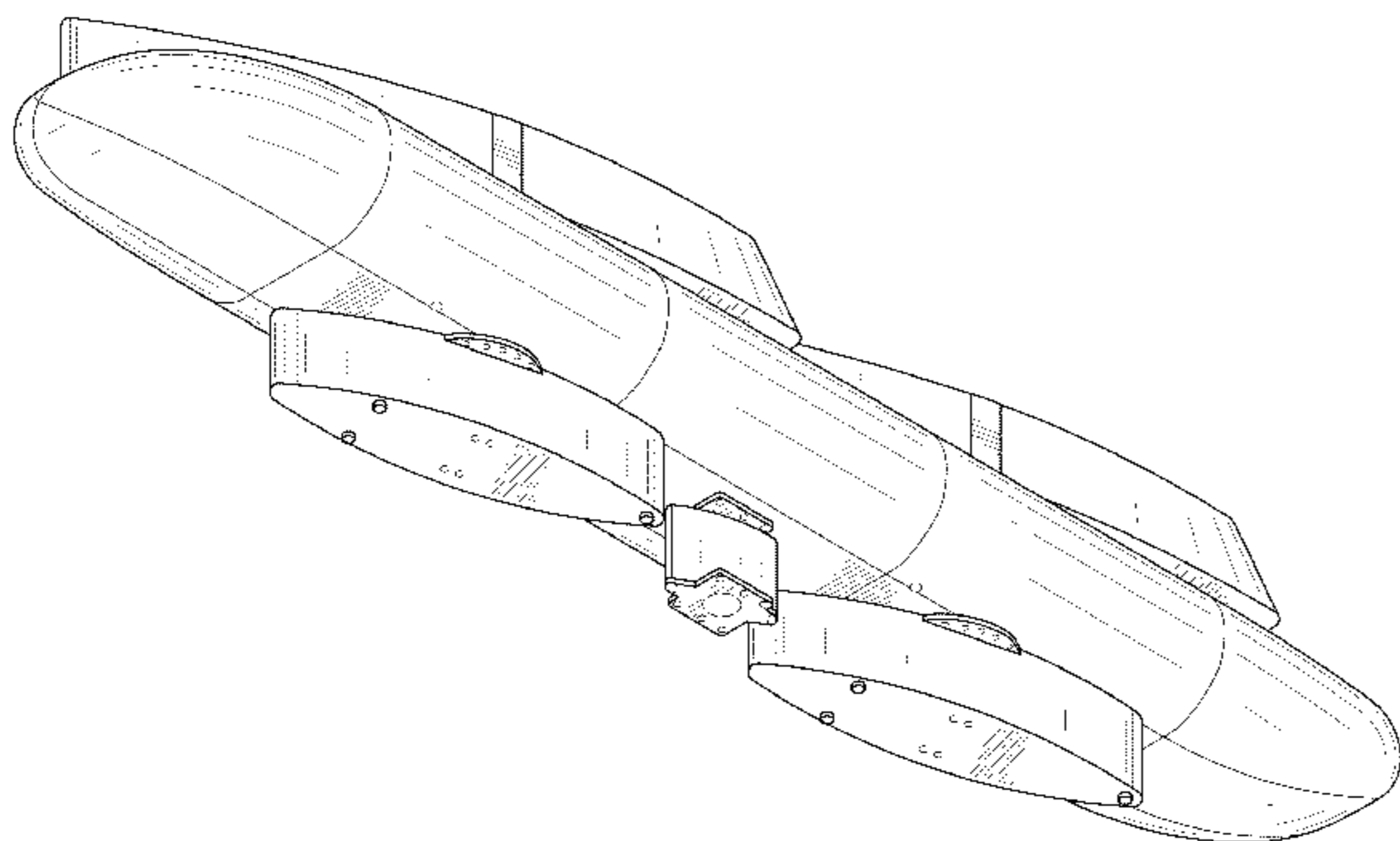
(57) **CLAIM**

The ornamental design for a float for seismic deflector, as shown and described.

DESCRIPTION

FIG. 1 is a bottom, front perspective view of a float for seismic deflector showing my new design;
FIG. 2 is top, front perspective view thereof;
FIG. 3 is a top view thereof;
FIG. 4 is a front view thereof;
FIG. 5 is a bottom view thereof;
FIG. 6 is a left side view thereof;
FIG. 7 is a right side view thereof; and,
FIG. 8 is rear view thereof.

1 Claim, 7 Drawing Sheets



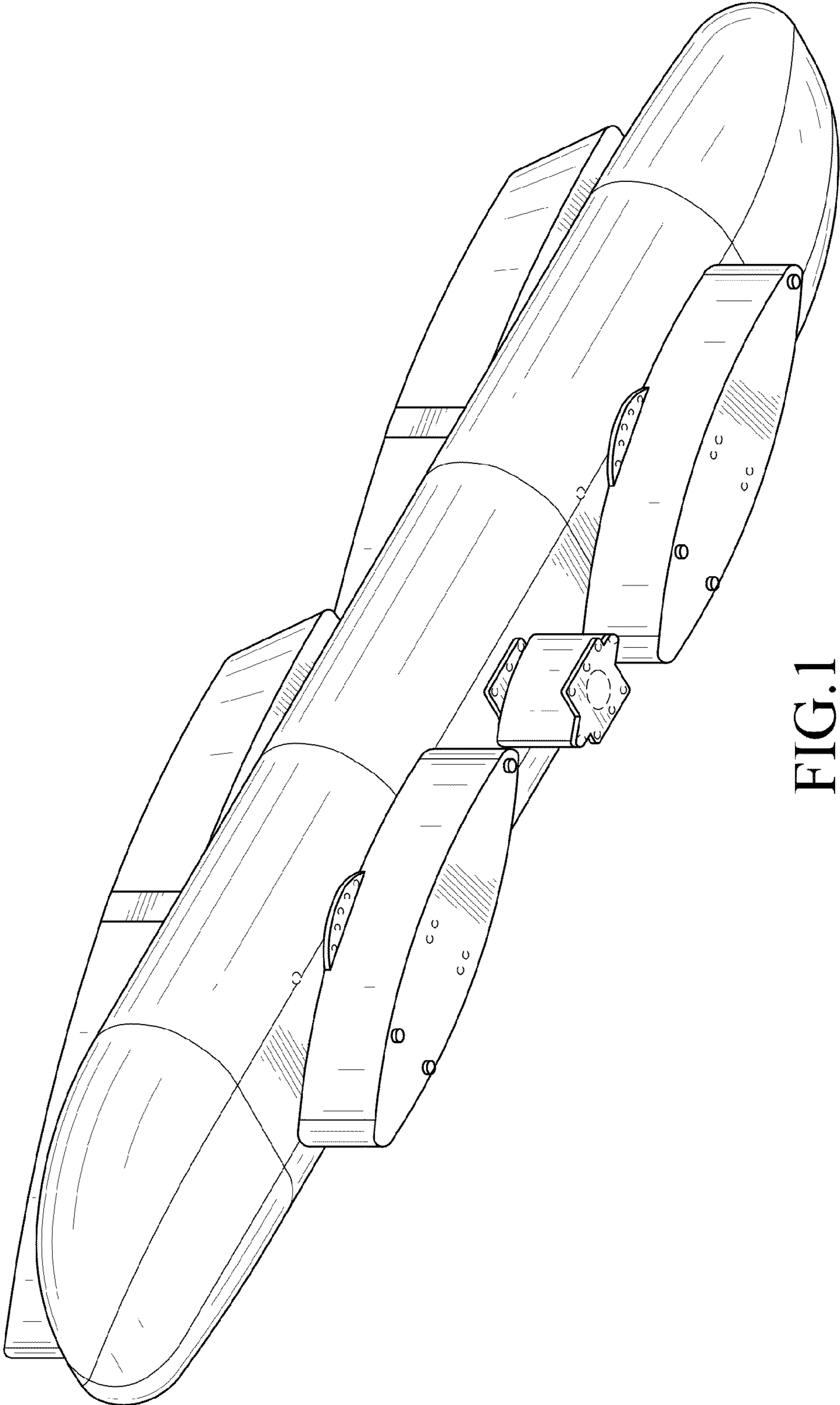


FIG.1

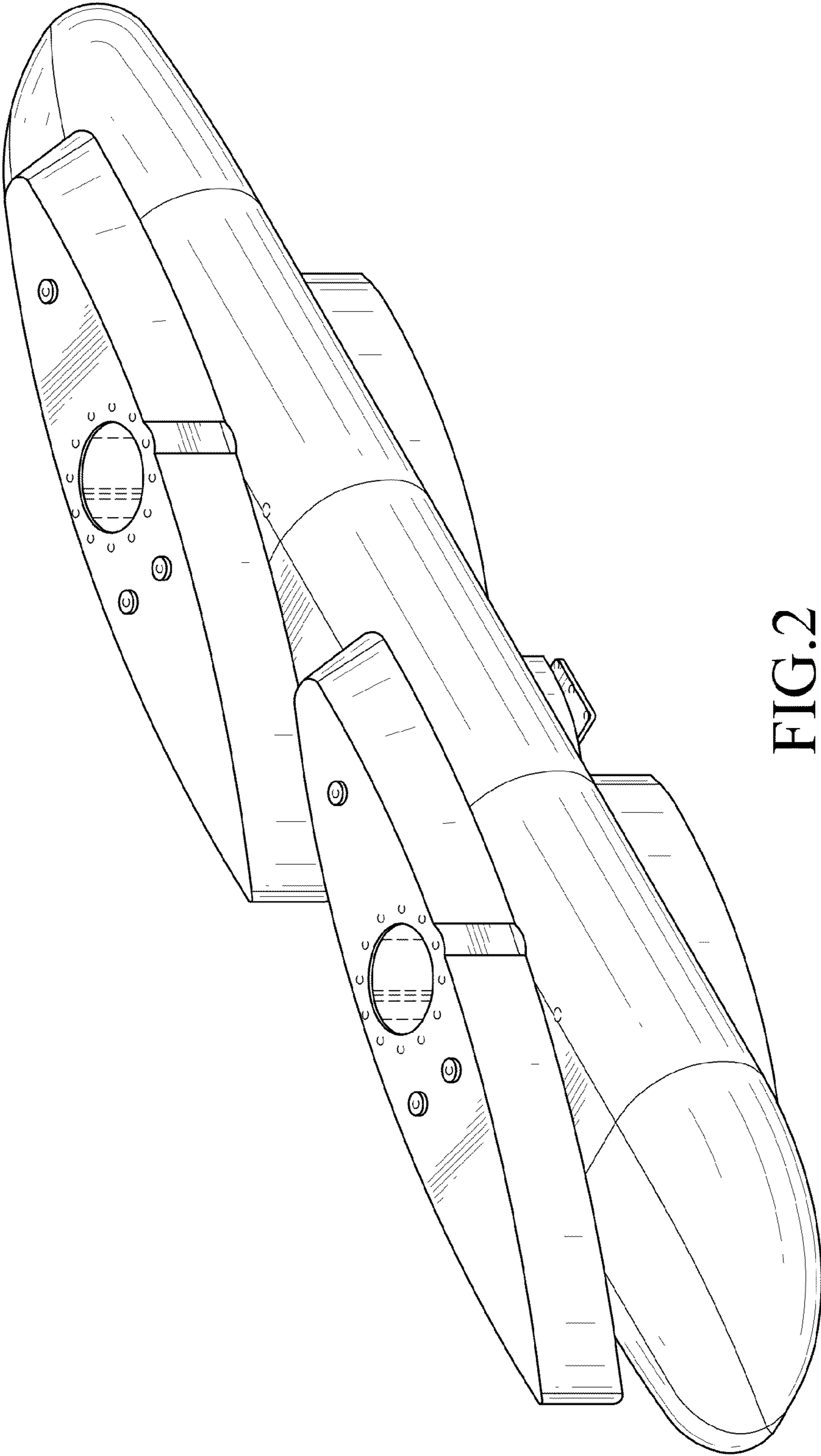


FIG.2

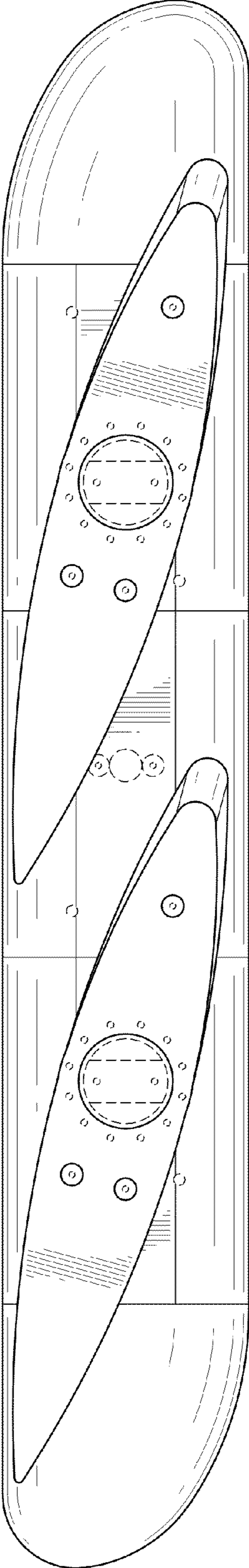


FIG.3

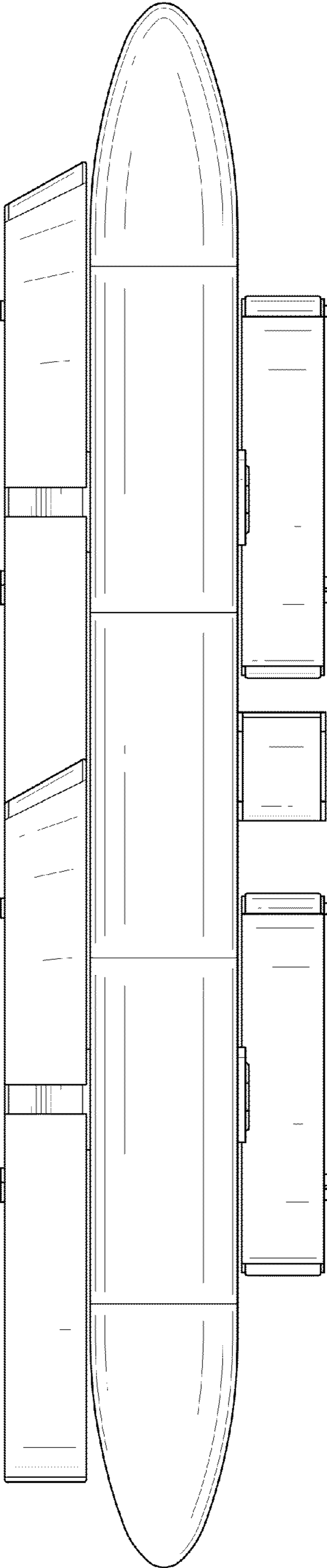


FIG.4

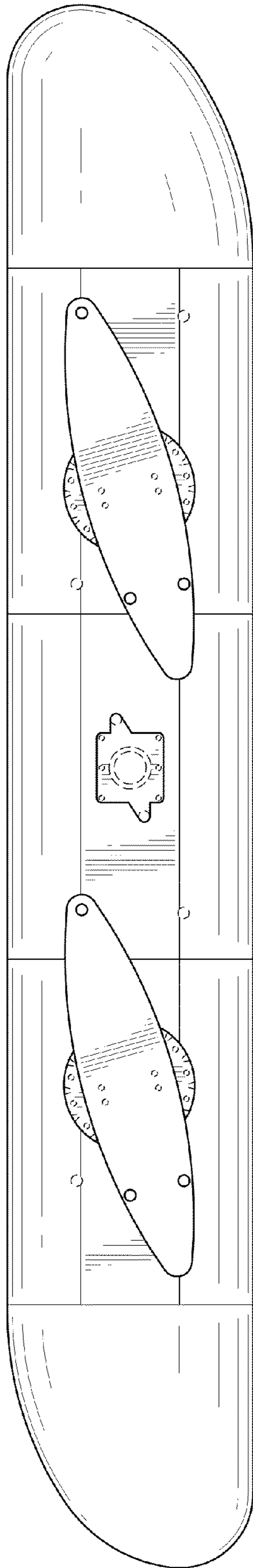


FIG.5

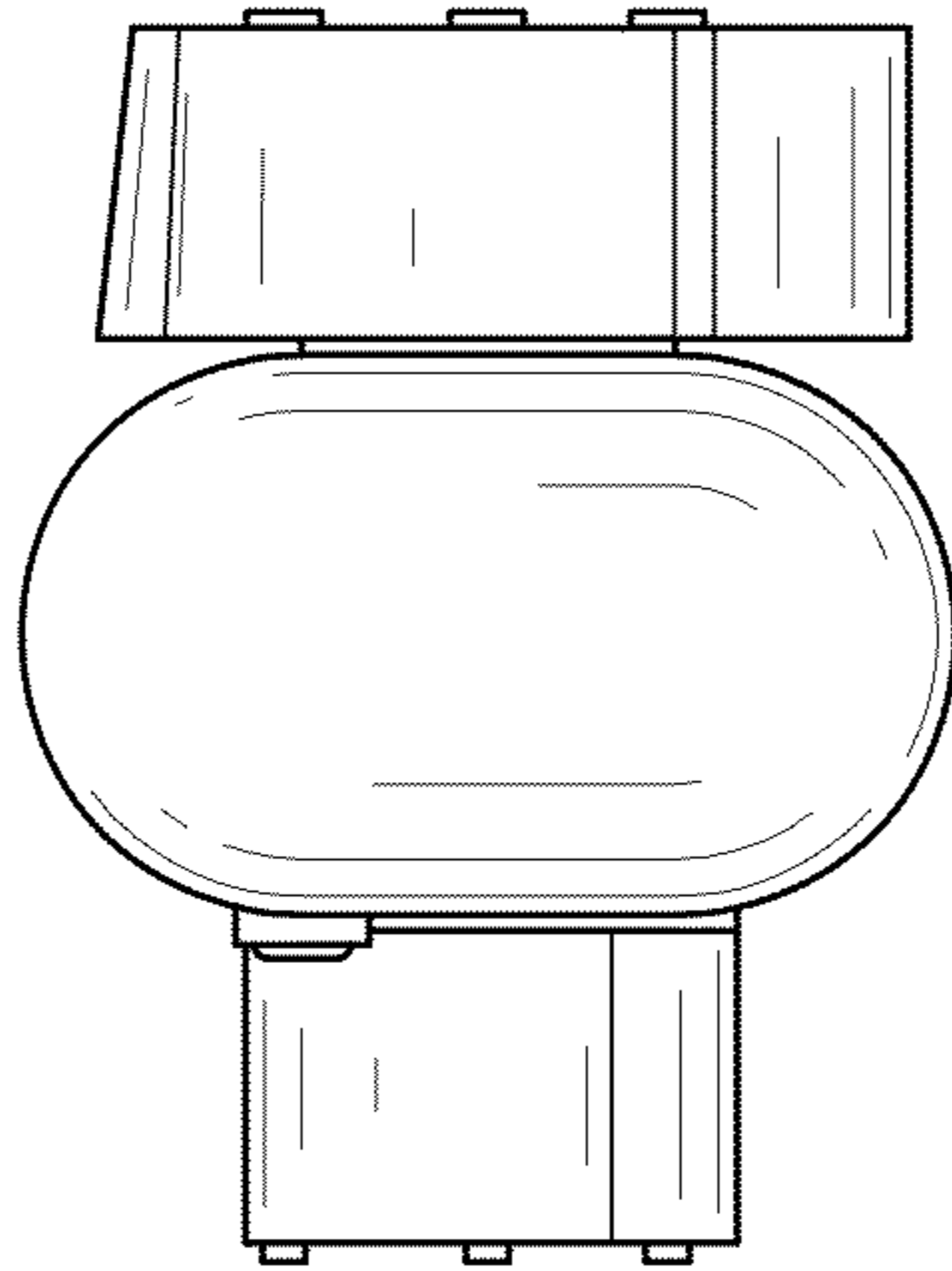


FIG. 6

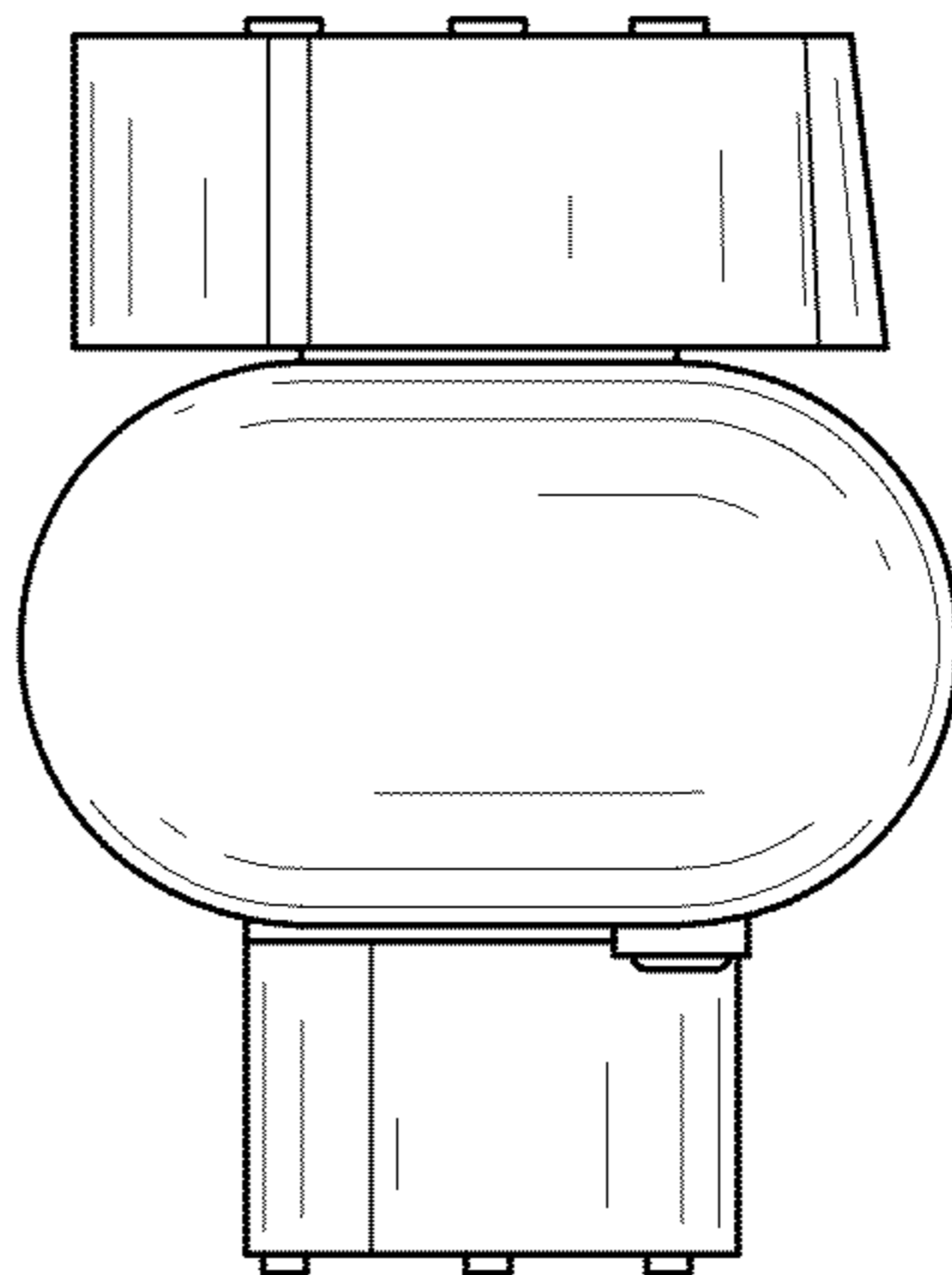


FIG. 7

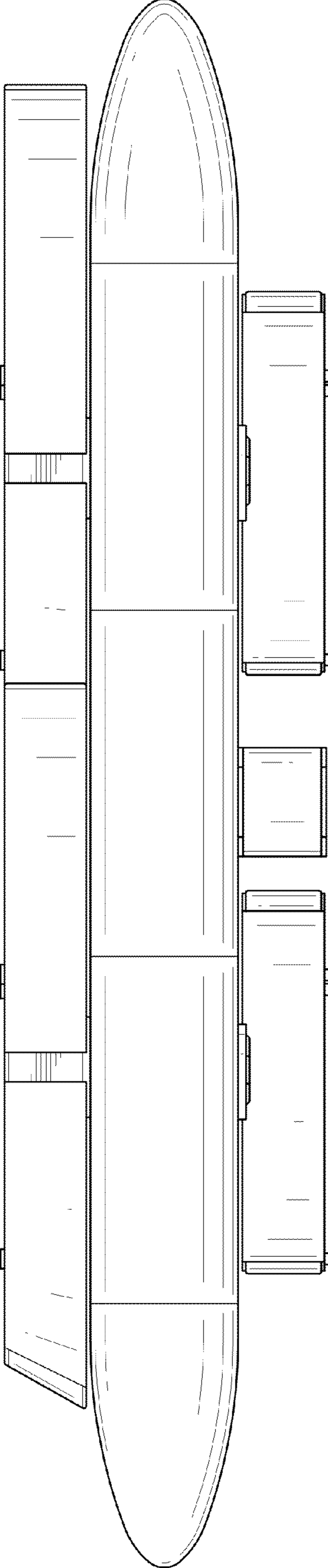


FIG.8