



US00D693252S

(12) **United States Design Patent**
Huang

(10) **Patent No.:** **US D693,252 S**

(45) **Date of Patent:** **** Nov. 12, 2013**

- (54) **CABLE DIAGNOSTIC DEVICE**
- (75) Inventor: **Yen-Chang Huang**, New Taipei (TW)
- (73) Assignee: **Hobbes & Co., Ltd.**, New Taipei (TW)
- (**) Term: **14 Years**
- (21) Appl. No.: **29/426,382**
- (22) Filed: **Jul. 5, 2012**
- (51) **LOC (9) Cl.** **10-04**
- (52) **U.S. Cl.**
USPC **D10/78**
- (58) **Field of Classification Search**
USPC D10/78; 324/533, 538, 539, 543;
340/815.74; 370/242, 251; 379/21, 22,
379/33, 442; 439/283, 483, 528; 600/300,
600/437, 528; 725/16, 107, 120
See application file for complete search history.

D572,615	S	*	7/2008	Gerold	D10/78
D575,174	S	*	8/2008	Morel	D10/78
D607,763	S	*	1/2010	Morel	D10/79
D652,747	S	*	1/2012	Ferris	D10/49
D668,564	S	*	10/2012	Poirier	D10/70
2004/0054503	A1	*	3/2004	Namaky	702/183
2008/0081954	A1	*	4/2008	Meyer et al.	600/300
2012/0226408	A1	*	9/2012	Miller et al.	701/31.5

* cited by examiner

Primary Examiner — Antoine D Davis

(74) *Attorney, Agent, or Firm* — Li & Cai Intellectual Property (USA) Office

(57) **CLAIM**

The ornamental design for a “cable diagnostic device,” as shown and described.

DESCRIPTION

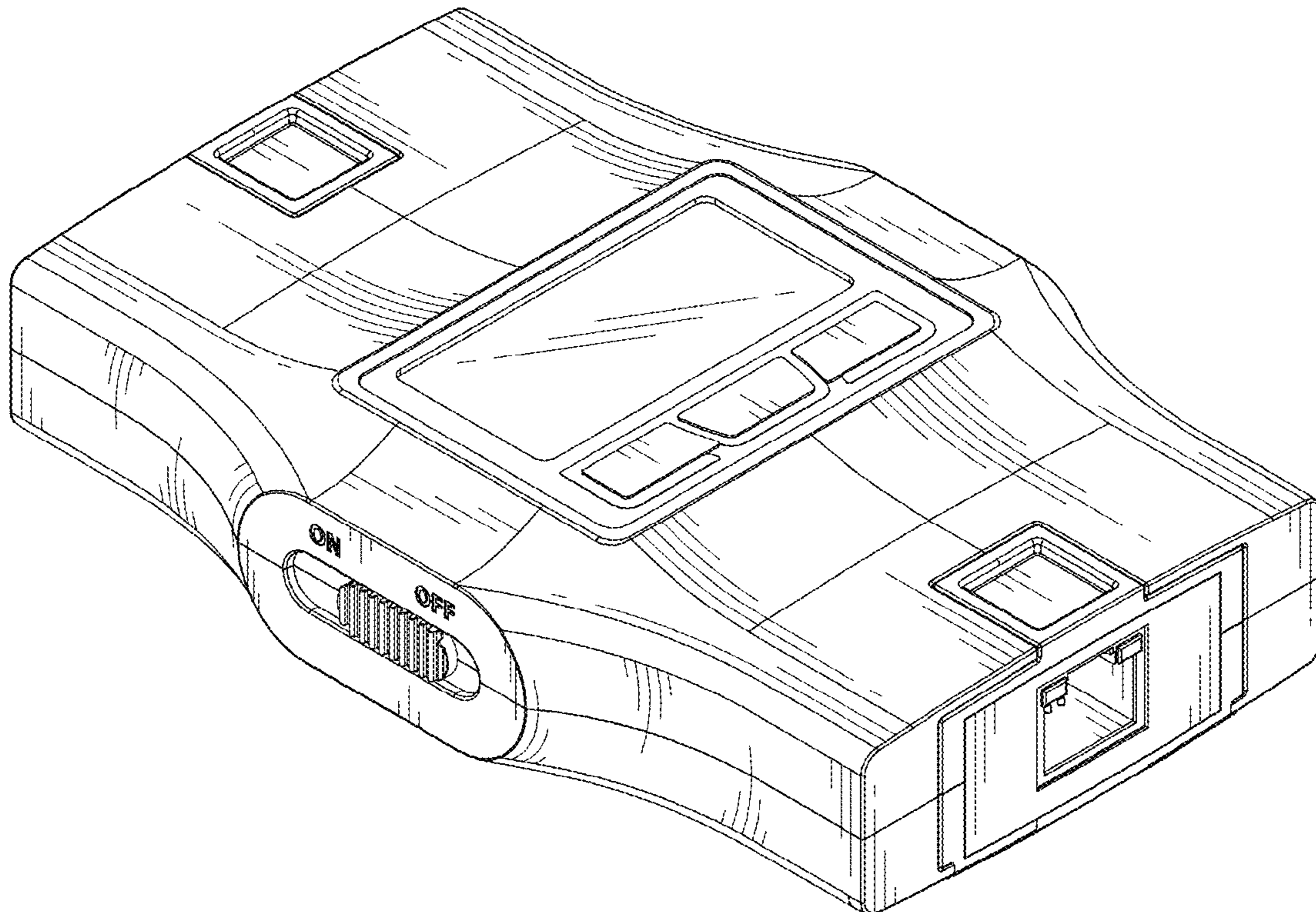
FIG. 1 is a perspective view of a “cable diagnostic device” showing my new design;
 FIG. 2 is a front view thereof;
 FIG. 3 is a rear view thereof;
 FIG. 4 is a left side view thereof;
 FIG. 5 is a right side view thereof;
 FIG. 6 is a top view thereof; and,
 FIG. 7 is a bottom view thereof.

1 Claim, 4 Drawing Sheets

(56) **References Cited**

U.S. PATENT DOCUMENTS

D425,825	S	*	5/2000	Shambeau et al.	D12/93
6,089,908	A	*	7/2000	Huang	439/528
D459,255	S	*	6/2002	Cochran	D10/78
D482,628	S	*	11/2003	Rollason et al.	D10/78
D510,533	S	*	10/2005	Hoofnagle	D10/78



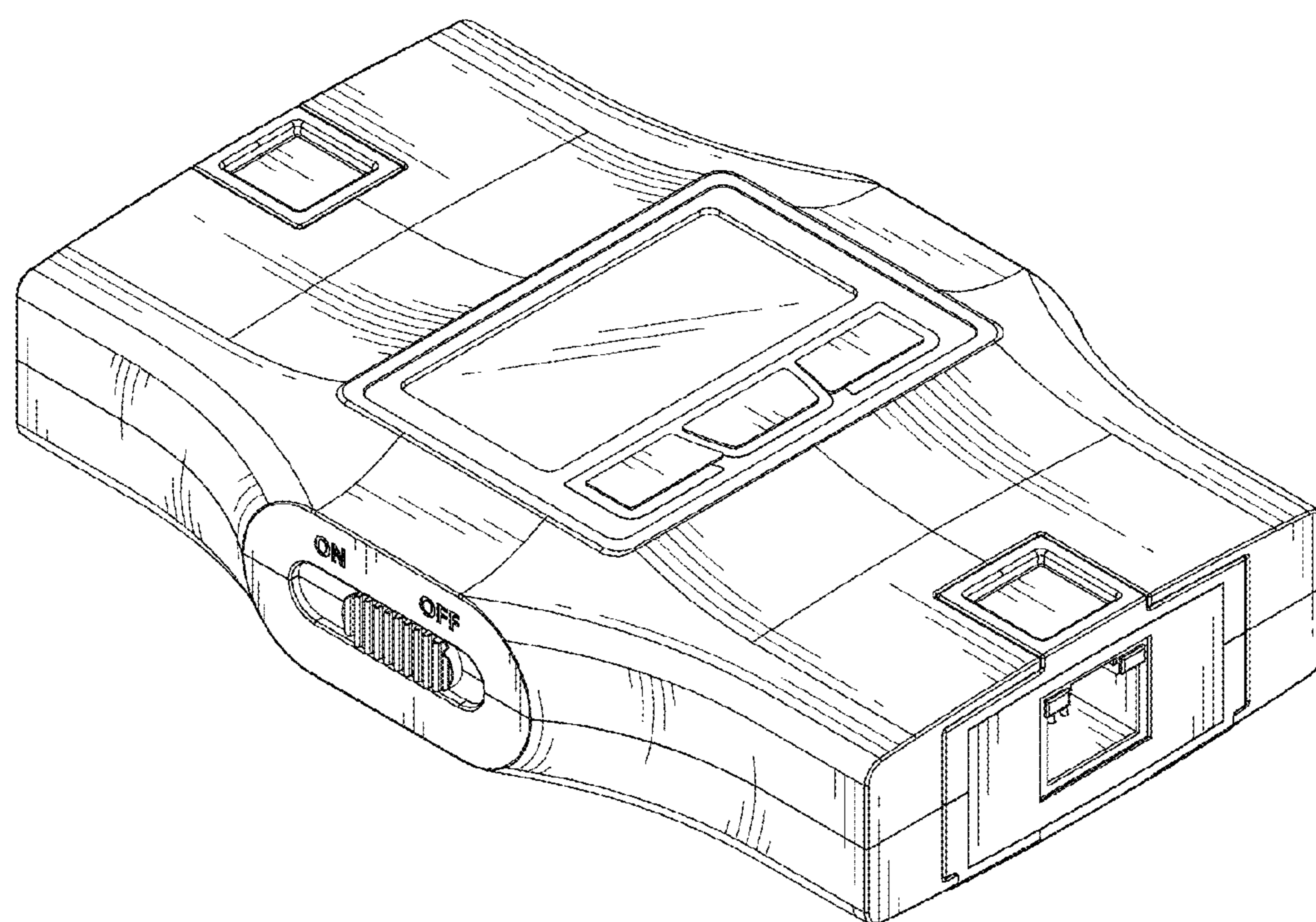


FIG. 1

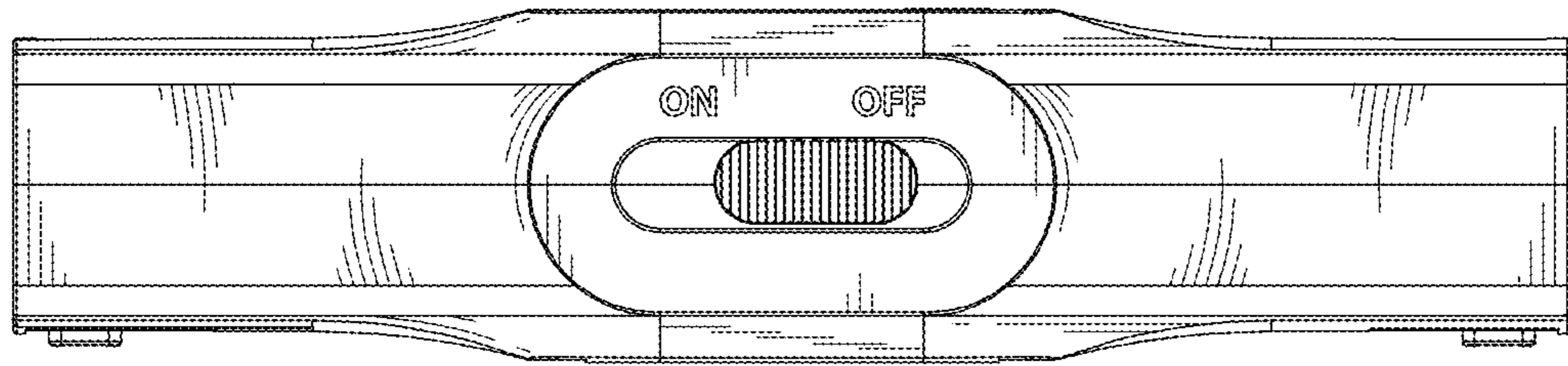


FIG. 2

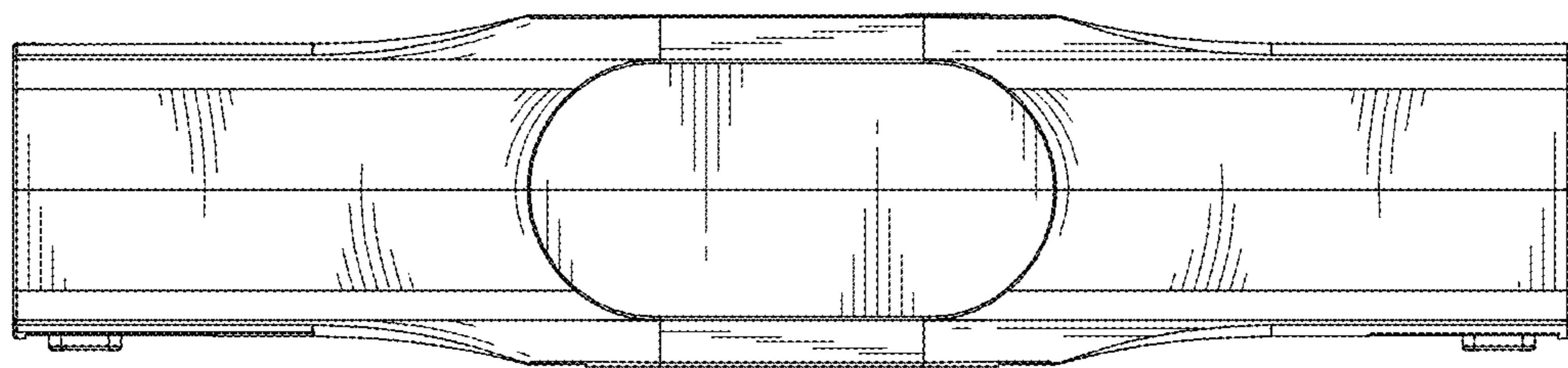


FIG. 3

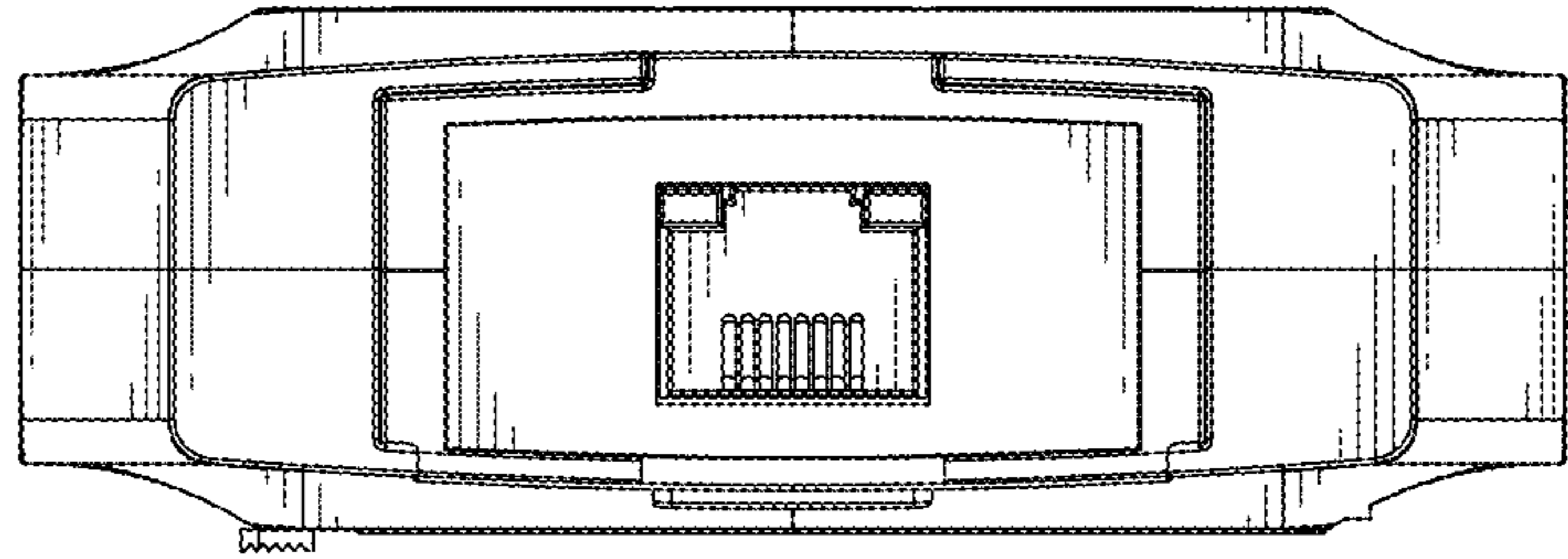


FIG. 4

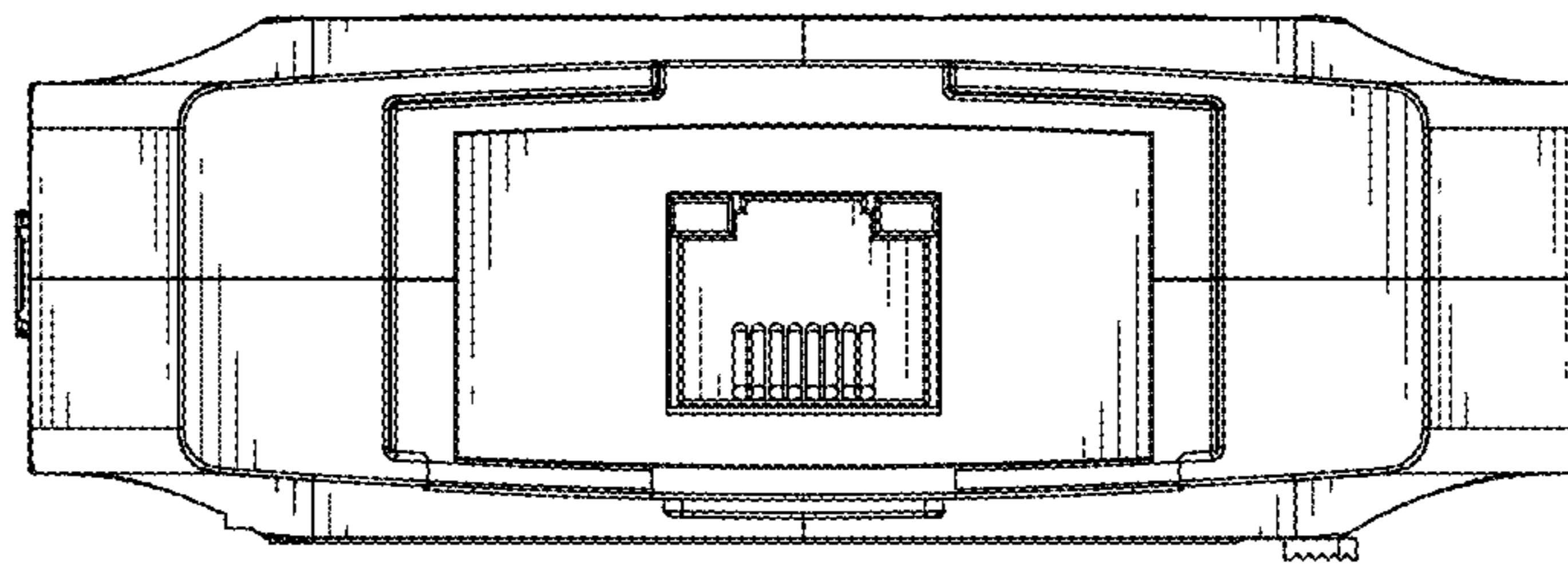


FIG. 5

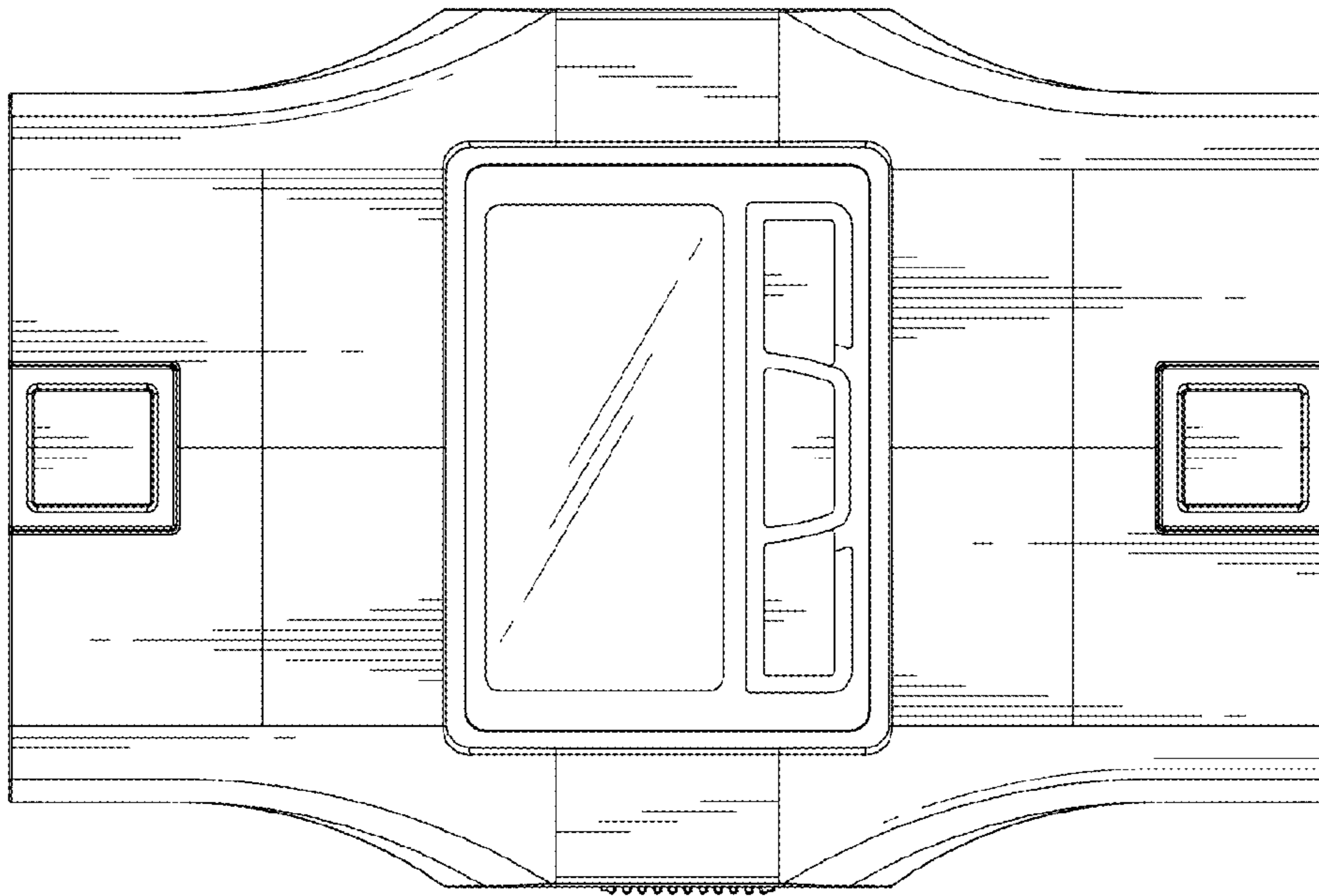


FIG. 6

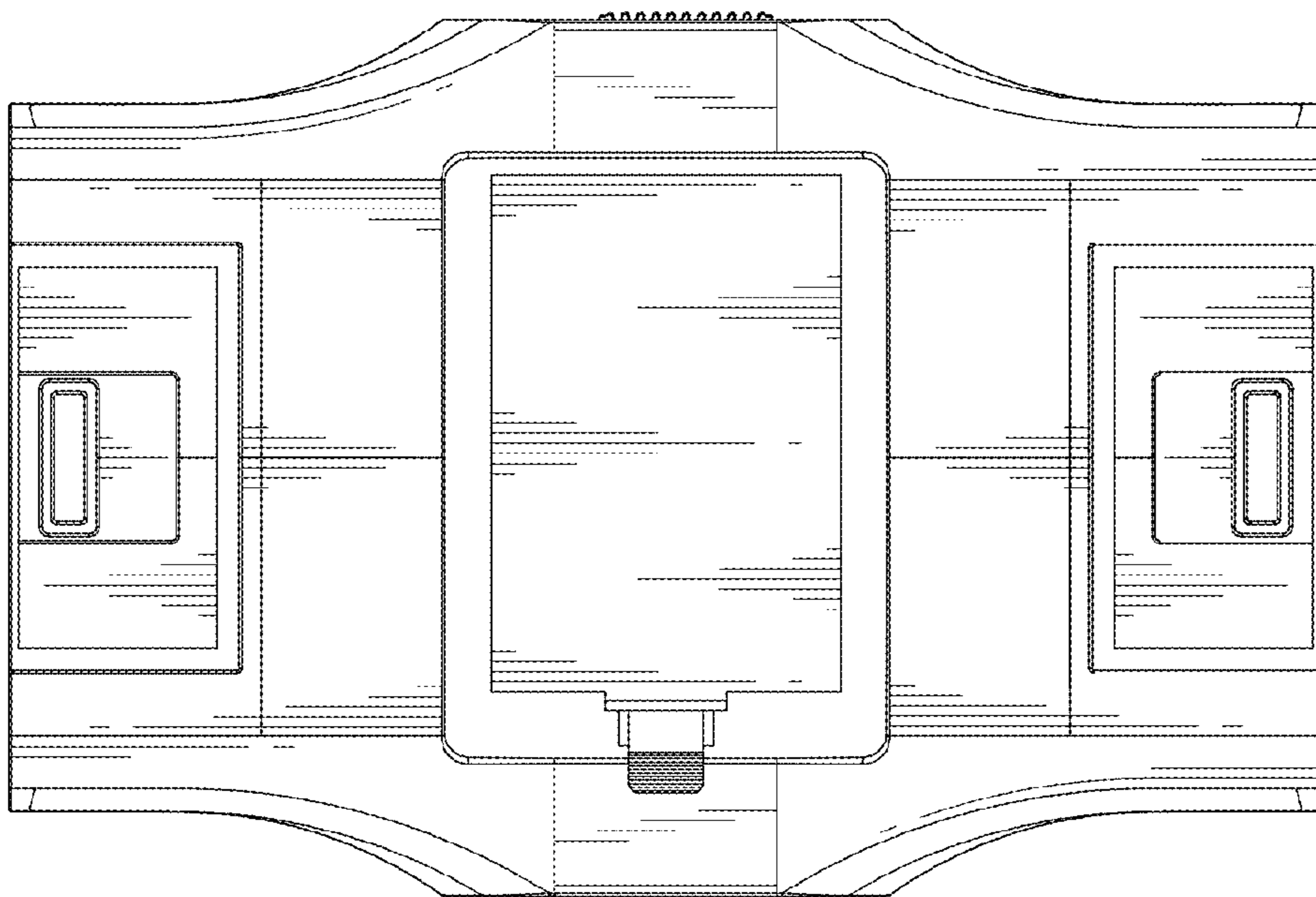


FIG. 7