



US00D693251S

(12) **United States Design Patent**
Anderssen et al.

(10) **Patent No.:** **US D693,251 S**

(45) **Date of Patent:** **** Nov. 12, 2013**

(54) **LOCATION TRACKING DEVICE AND BAND**

(71) Applicants: **Torbjørn Anderssen**, Oslo (NO); **Sten Kirkbak**, Trondheim (NO); **Pål Selnaes**, Morrisville, NC (US); **William Herbert Darden, IV**, Cary, NC (US); **Espen Voll**, Oslo (NO)

(72) Inventors: **Torbjørn Anderssen**, Oslo (NO); **Sten Kirkbak**, Trondheim (NO); **Pål Selnaes**, Morrisville, NC (US); **William Herbert Darden, IV**, Cary, NC (US); **Espen Voll**, Oslo (NO)

(73) Assignee: **Evado Filip Holding Ltd.**, London (GB)

(**) Term: **14 Years**

(21) Appl. No.: **29/441,450**

(22) Filed: **Jan. 4, 2013**

(51) **LOC (9) Cl.** **10-04**

(52) **U.S. Cl.**
USPC **D10/70; D10/65; D10/97**

(58) **Field of Classification Search**
USPC D10/65, 70, 75, 78, 97, 30, 32, 38;
D14/138 R, 138 AA, 138 AB, 138 AC,
D14/138 AD, 341-347, 507-510, 136, 167,
D14/168, 496, 498, 499, 500, 125-134, 239,
D14/371, 374-377, 440, 450, 448, 336,
D14/342; 343/702; 345/87, 104, 133, 156,
345/168, 173, 901-905, 165; 348/180, 184,
348/315, 739, 836, 838, 325; 364/444, 499;
701/408-418, 431, 432, 537; 312/7.2;
341/12; 720/605, 669, 600, 655;
369/99, 197; 455/344, 347, 575.1;
250/221, 338.3, 340, 239, 342, 341,
250/DIG. 1, 353; 307/116, 117; 340/521,
340/527, 541, 567, 540, 568.2, 539.23, 635,
340/687; 315/159; 324/72.5, 556, 133, 149,
324/503, 543, 555, 66, 72, 754, 115, 141,
324/522; 73/615, 624, 627, 644, 514.33,
73/514.34, 510, 513, 527, 530;
356/3.01-5.15; 235/105; 377/5, 24.2,

377/26; 702/155, 160, 176, 78, 79, 82,
702/91-95, 104, 116, 141, 150, 151, 154,
702/127, 131, 182, 183, 189; 600/437, 443,
600/453, 459, 465, 479, 500, 502, 595, 485,
600/481, 483

See application file for complete search history.

(56) **References Cited**

U.S. PATENT DOCUMENTS

D549,602 S * 8/2007 Oberrieder et al. D10/65
D550,105 S * 9/2007 Oberrieder et al. D10/65

(Continued)

Primary Examiner — Antoine D Davis

(74) *Attorney, Agent, or Firm* — Coats & Bennett, P.L.L.C.

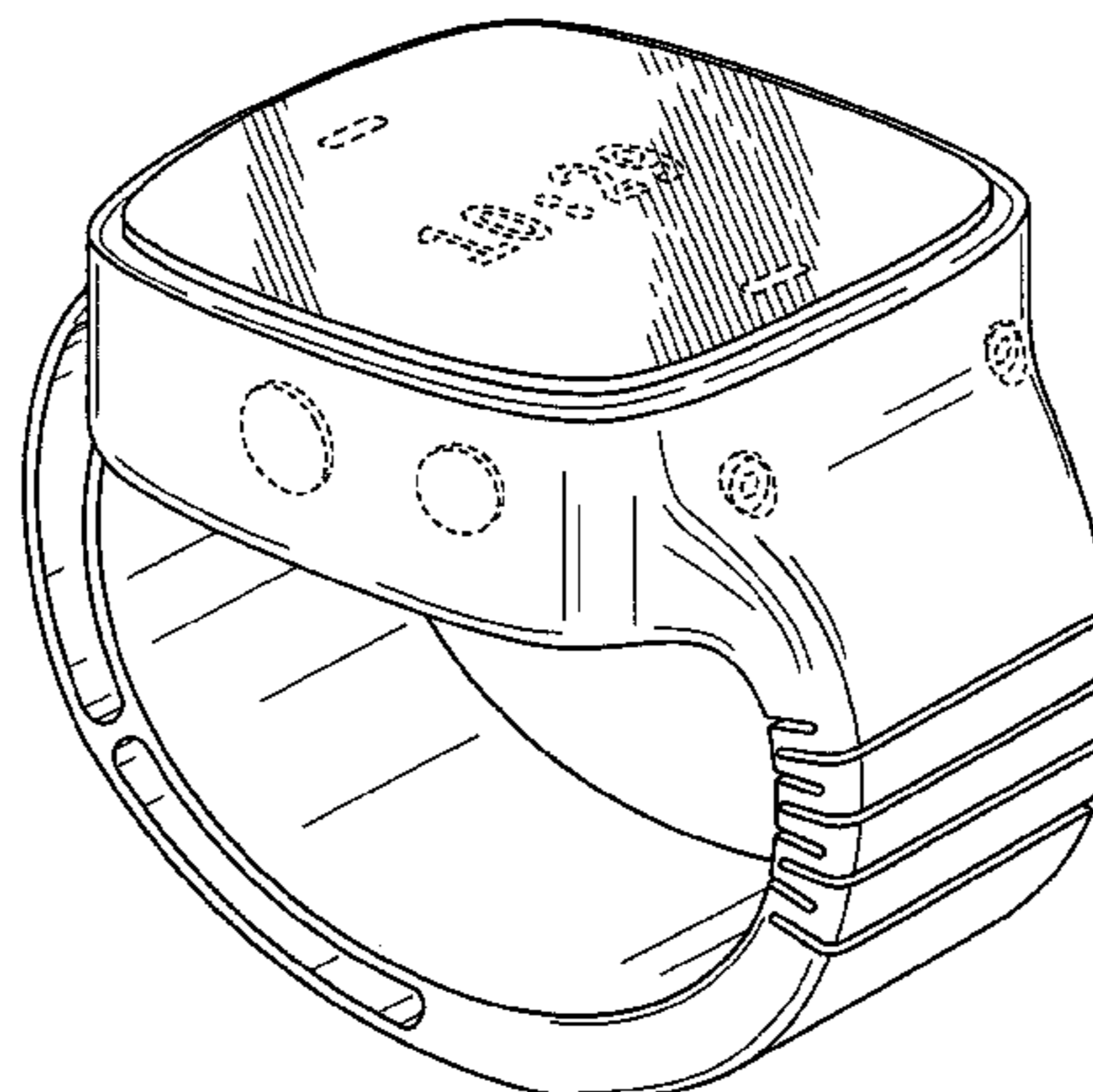
(57) **CLAIM**

The ornamental design for a location tracking device and band, as shown and described.

DESCRIPTION

FIG. 1 is a top perspective view of a location tracking device and band showing our new design.
FIG. 2 is a bottom perspective view of the location tracking device and band.
FIG. 3 is a side view of a first side of the location tracking device and band.
FIG. 4 is a side view of a second side of the location tracking device and band.
FIG. 5 is a side view of a front side of the location tracking device and band.
FIG. 6 is a side view of a back side of the location tracking device and band.
FIG. 7 is a top view of the location tracking device and band; and,
FIG. 8 is a bottom view of the location tracking device and band.
Throughout the Figures, aspects shown in broken lines are not considered a portion of the claimed ornamental design.

1 Claim, 5 Drawing Sheets



US D693,251 S

Page 2

(56)

References Cited

U.S. PATENT DOCUMENTS

D569,282 S * 5/2008 Daniel D10/65
D586,674 S * 2/2009 Solarewicz D10/70
D610,476 S * 2/2010 Daniel D10/65

D637,506 S * 5/2011 Toyoshima et al. D10/70
D670,583 S * 11/2012 Shaanan D10/70
D672,667 S * 12/2012 Mix D10/65
2013/0072823 A1 * 3/2013 Kahn et al. 600/595

* cited by examiner

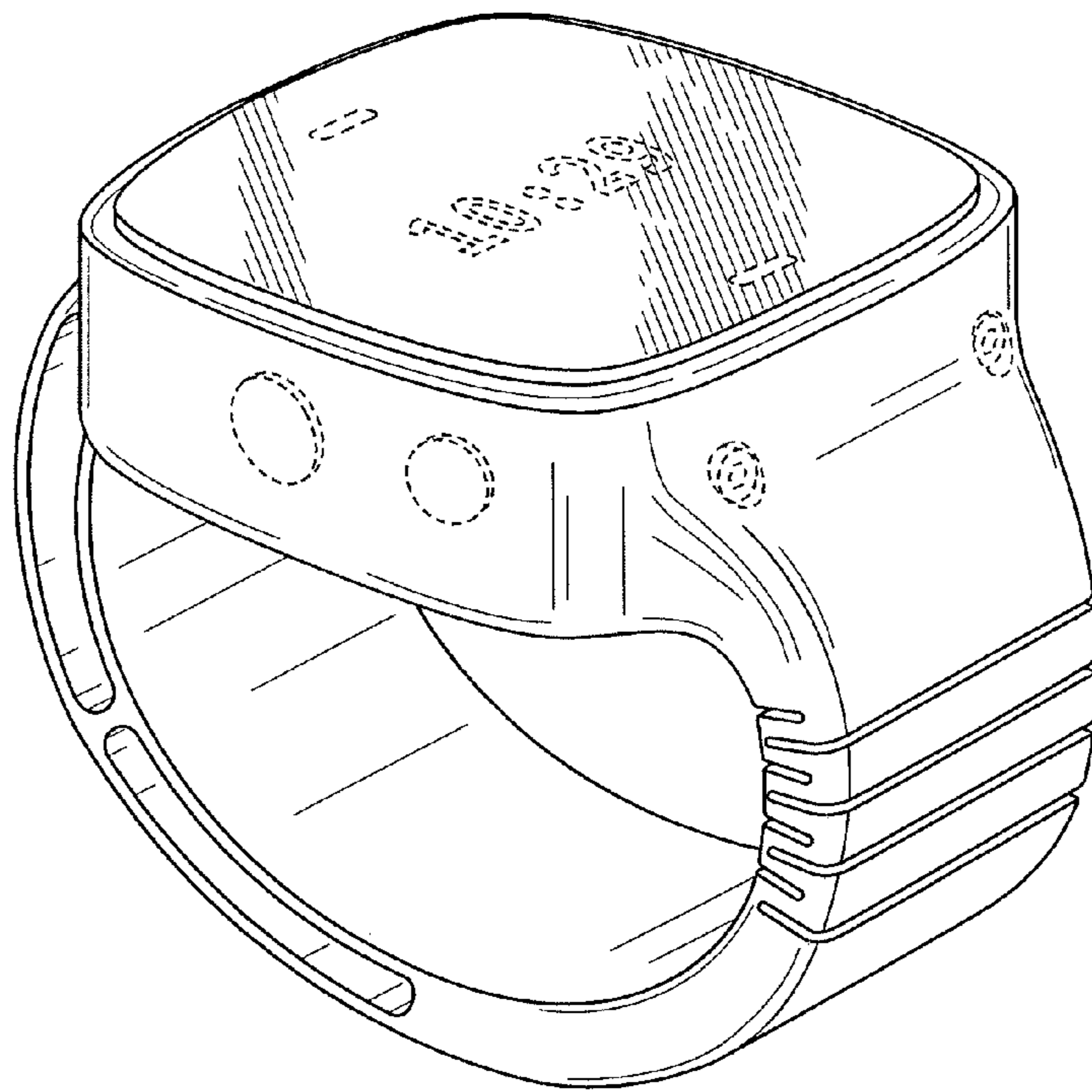


FIG. 1

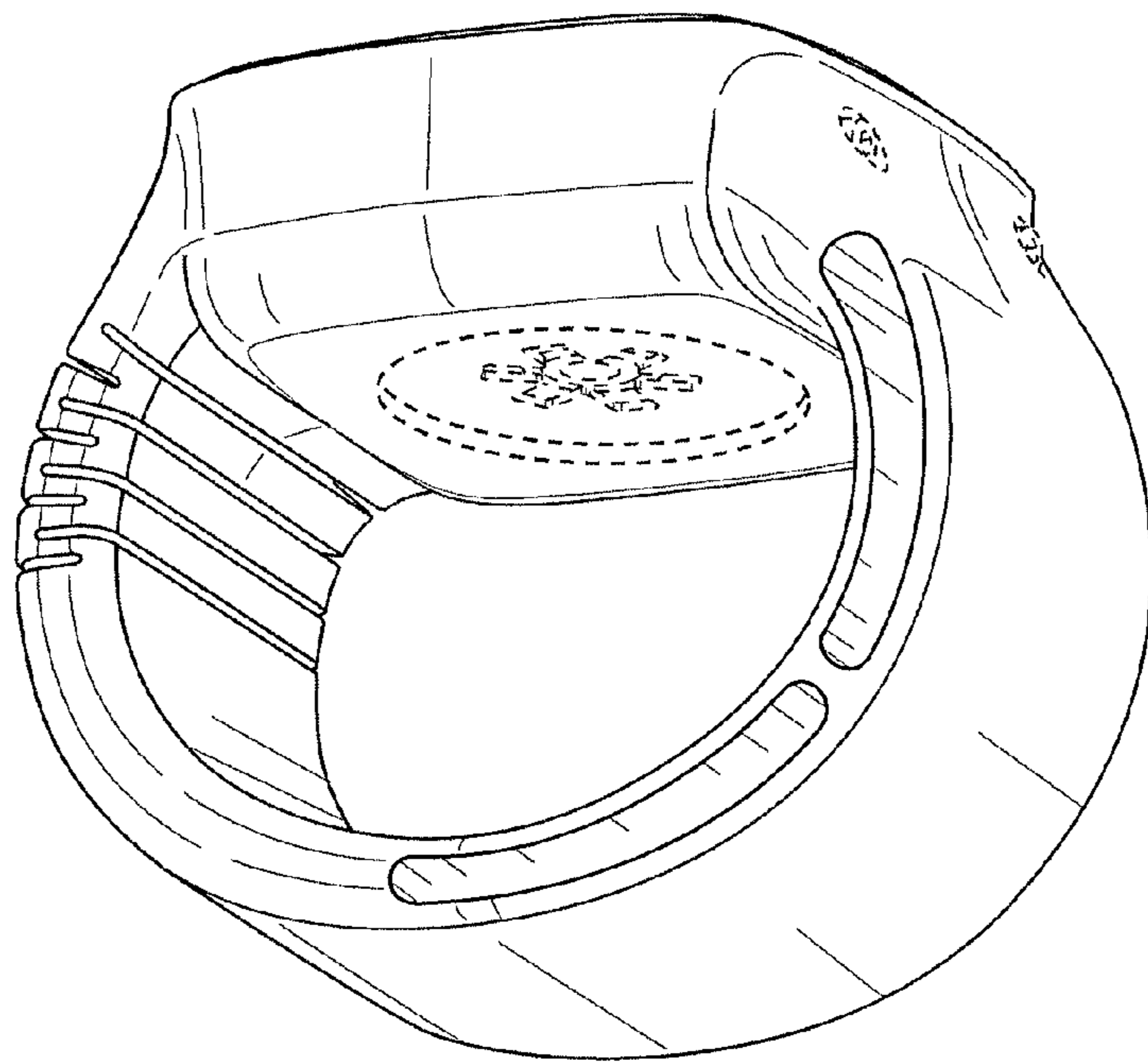


FIG. 2

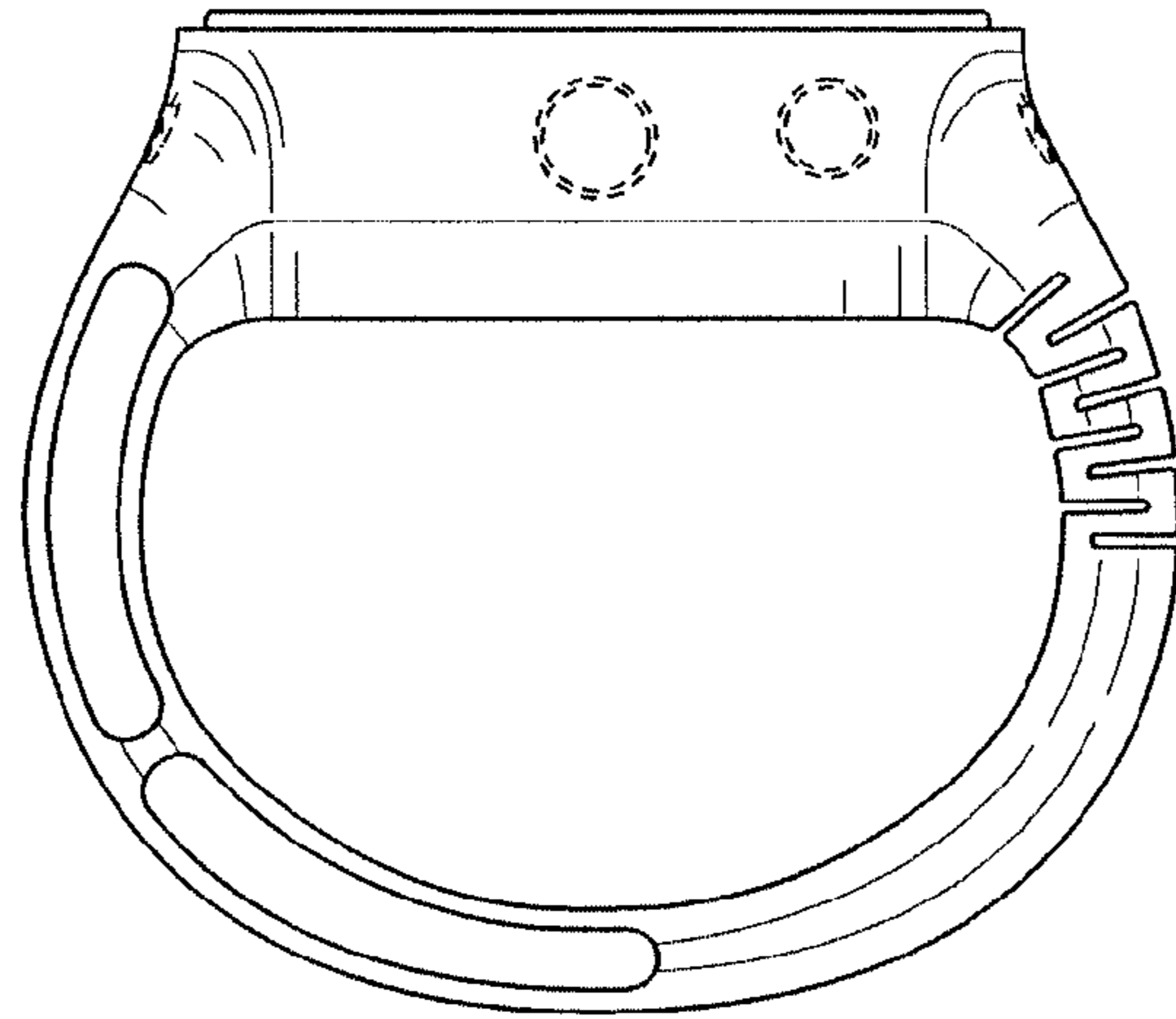


FIG. 3

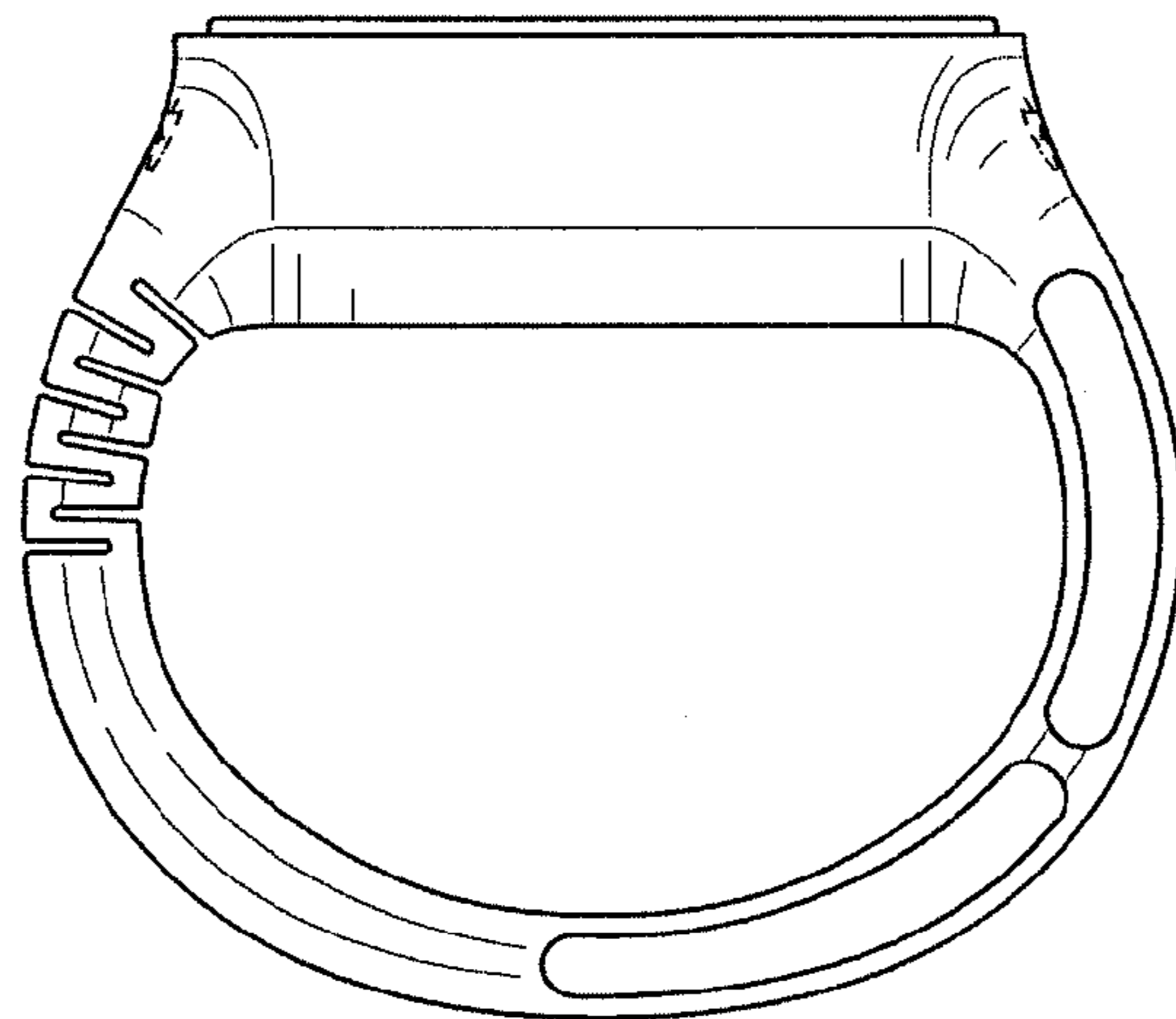


FIG. 4

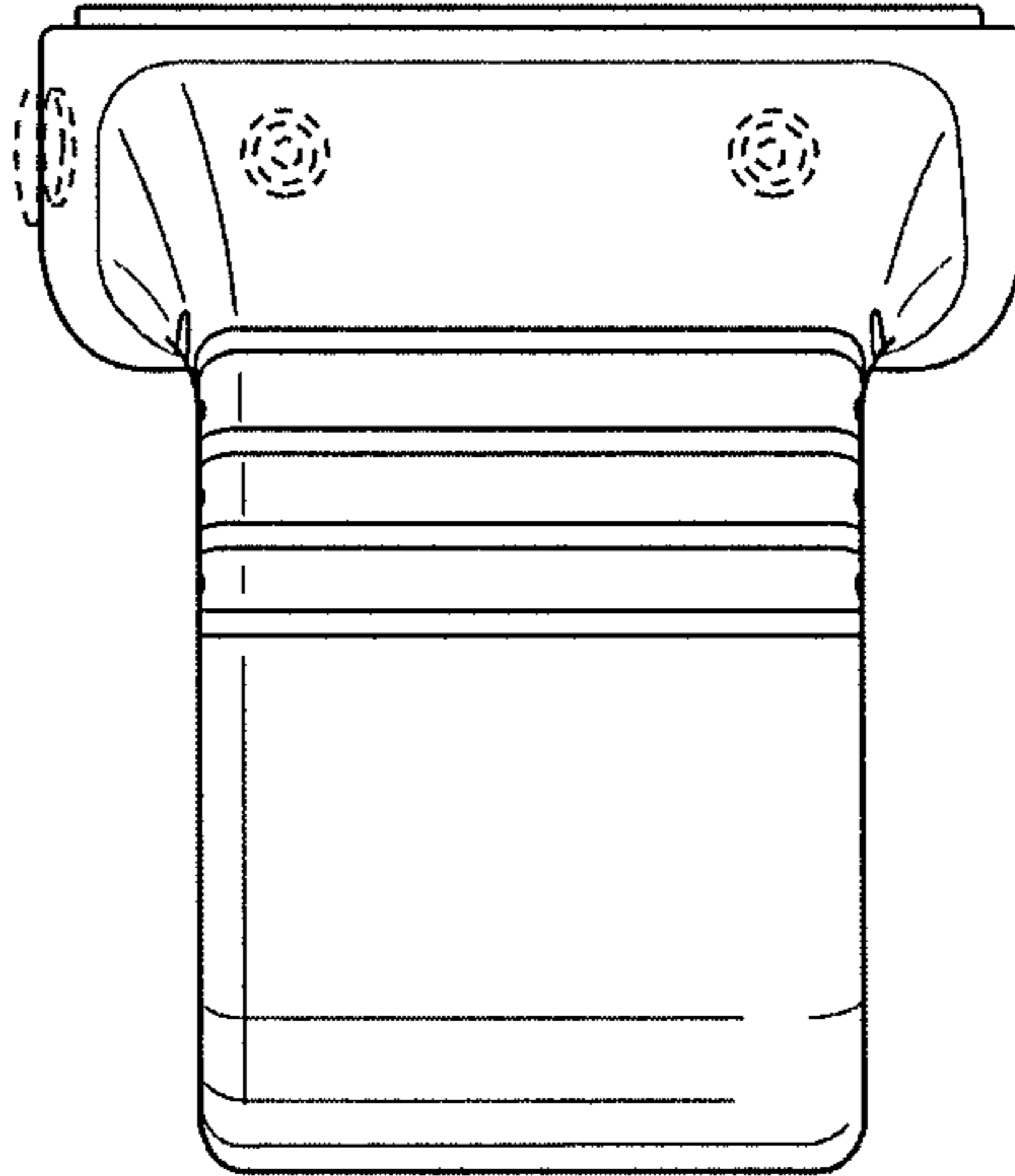


FIG. 5

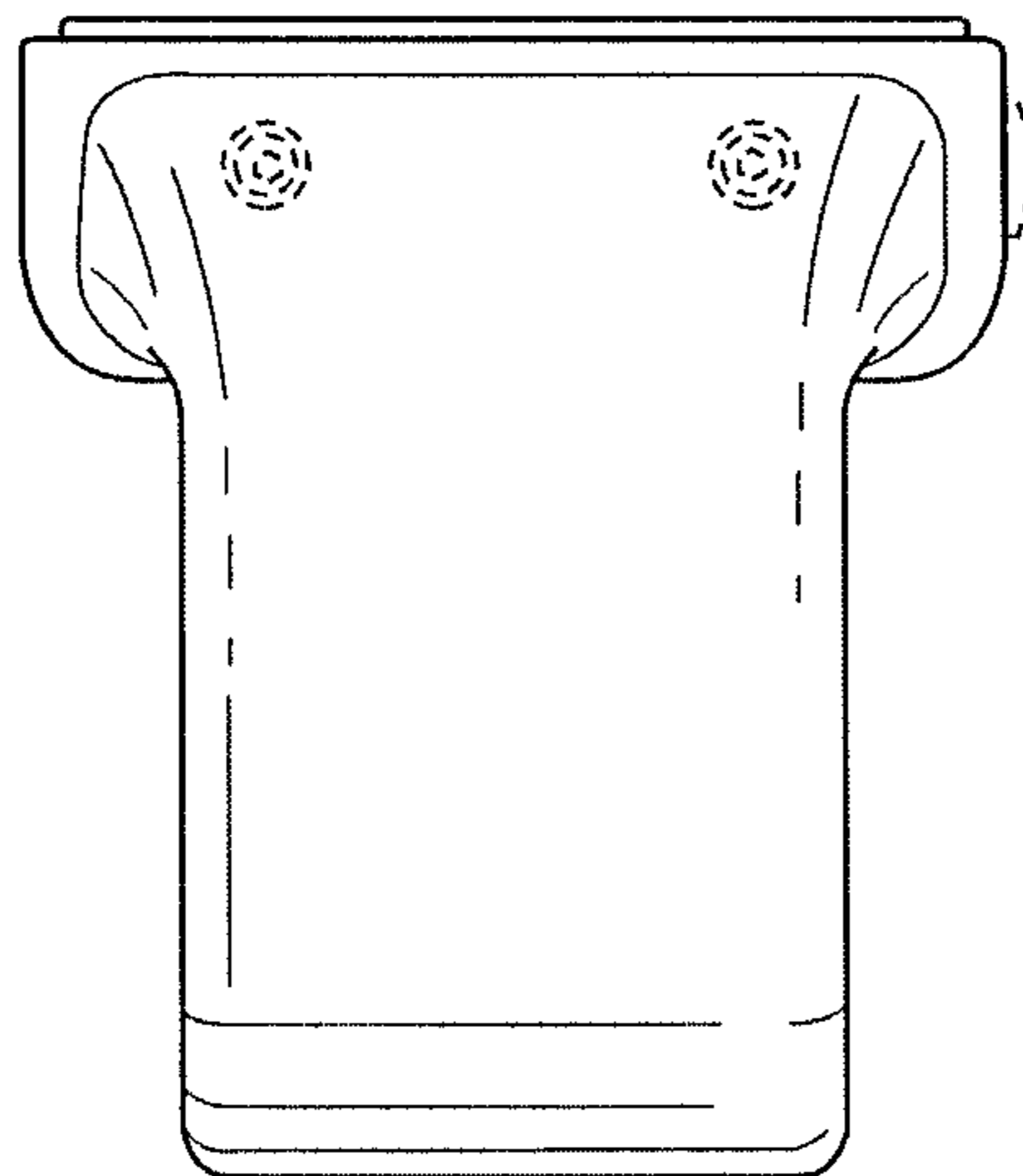


FIG. 6

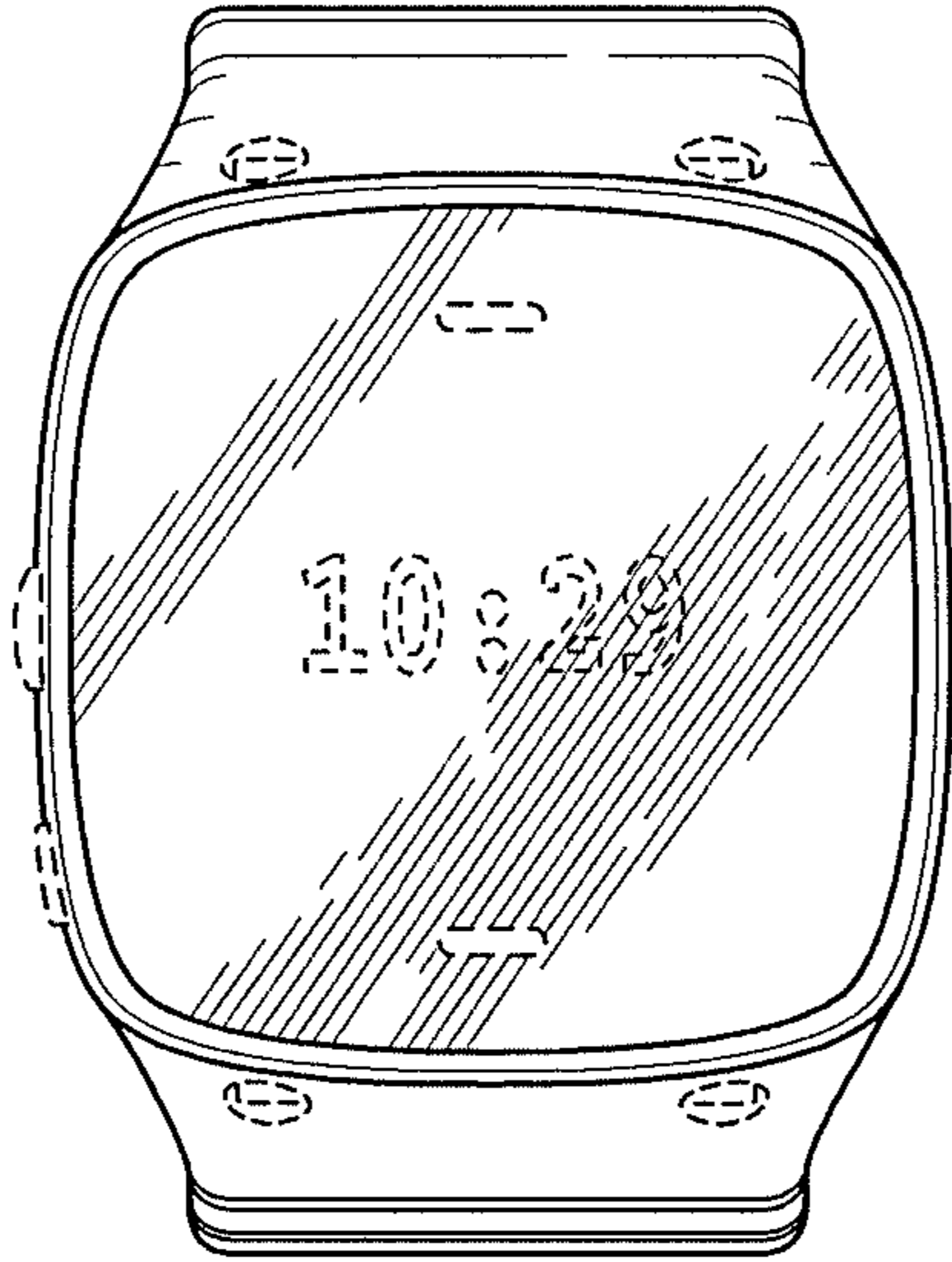


FIG. 7

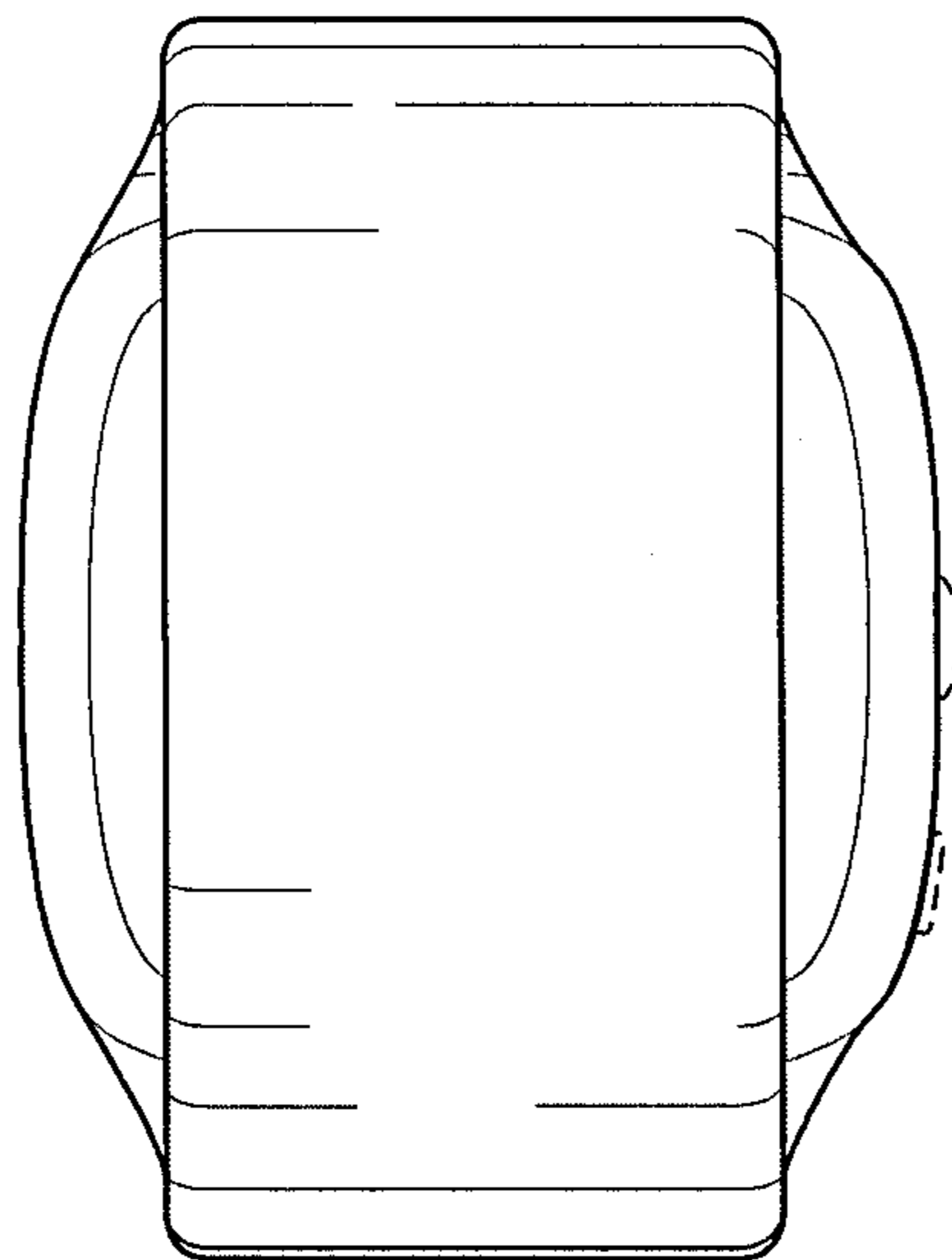


FIG. 8