



US00D693244S

(12) **United States Design Patent**
Duport et al.

(10) **Patent No.:** **US D693,244 S**
(45) **Date of Patent:** **** Nov. 12, 2013**

(54) **WATCH**

(75) Inventors: **Fabrice Duport**, Neuchâtel (CH);
Fernando Soares, Neuchâtel (CH)

(73) Assignee: **Leon Hatot SA (Leon Hatot AG) (Leon Hatot Ltd)**, Auvernier (CH)

(**) Term: **14 Years**

(21) Appl. No.: **29/431,320**

(22) Filed: **Sep. 6, 2012**

(30) **Foreign Application Priority Data**

Mar. 6, 2012 (WO) DM/077 867

(51) **LOC (9) Cl.** **10-02**

(52) **U.S. Cl.**
USPC **D10/39**

(58) **Field of Classification Search**
USPC D10/30-39, 122-132; 368/276, 281,
368/282, 223, 228, 232, 80
See application file for complete search history.

(56) **References Cited**

U.S. PATENT DOCUMENTS

D55,520 S * 6/1920 Marsh D10/126
2,361,563 A * 10/1944 Pellaton 368/80
D186,180 S * 9/1959 Diamond D10/39
3,570,239 A * 3/1971 Charles 368/11
D365,526 S * 12/1995 Gardner D10/39

D527,286 S * 8/2006 Calvani D10/39
D548,625 S * 8/2007 Schoepfer D10/39
D555,516 S * 11/2007 Sugiura D10/31
D560,515 S * 1/2008 Finazzi D10/39
D608,223 S * 1/2010 Salanitro D10/38
D616,322 S * 5/2010 Duport et al. D10/126
D616,782 S * 6/2010 Chastaingt D10/126
D618,575 S * 6/2010 Duport et al. D10/126
D622,167 S * 8/2010 Jorst et al. D10/39
D627,242 S * 11/2010 Jeanneret D10/39
D673,463 S * 1/2013 Duport D10/32
D678,081 S * 3/2013 Cabiddu D10/38

* cited by examiner

Primary Examiner — Lucy Lieberman

(74) *Attorney, Agent, or Firm* — Donald J. Ranft; Collen IP

(57) **CLAIM**

The ornamental design for a watch, as shown and described.

DESCRIPTION

FIG. 1 is a front right perspective view of a watch showing our new design;
FIG. 2 is a front left perspective view thereof;
FIG. 3 is a front view thereof;
FIG. 4 is a rear view thereof;
FIG. 5 is a right side view thereof;
FIG. 6 is left side view thereof;
FIG. 7 is a top view thereof;
FIG. 8 is a bottom view thereof; and,
FIG. 9 is a rear left perspective view thereof.
The portions of the watch shown in broken lines form no part of the claimed design.

1 Claim, 4 Drawing Sheets



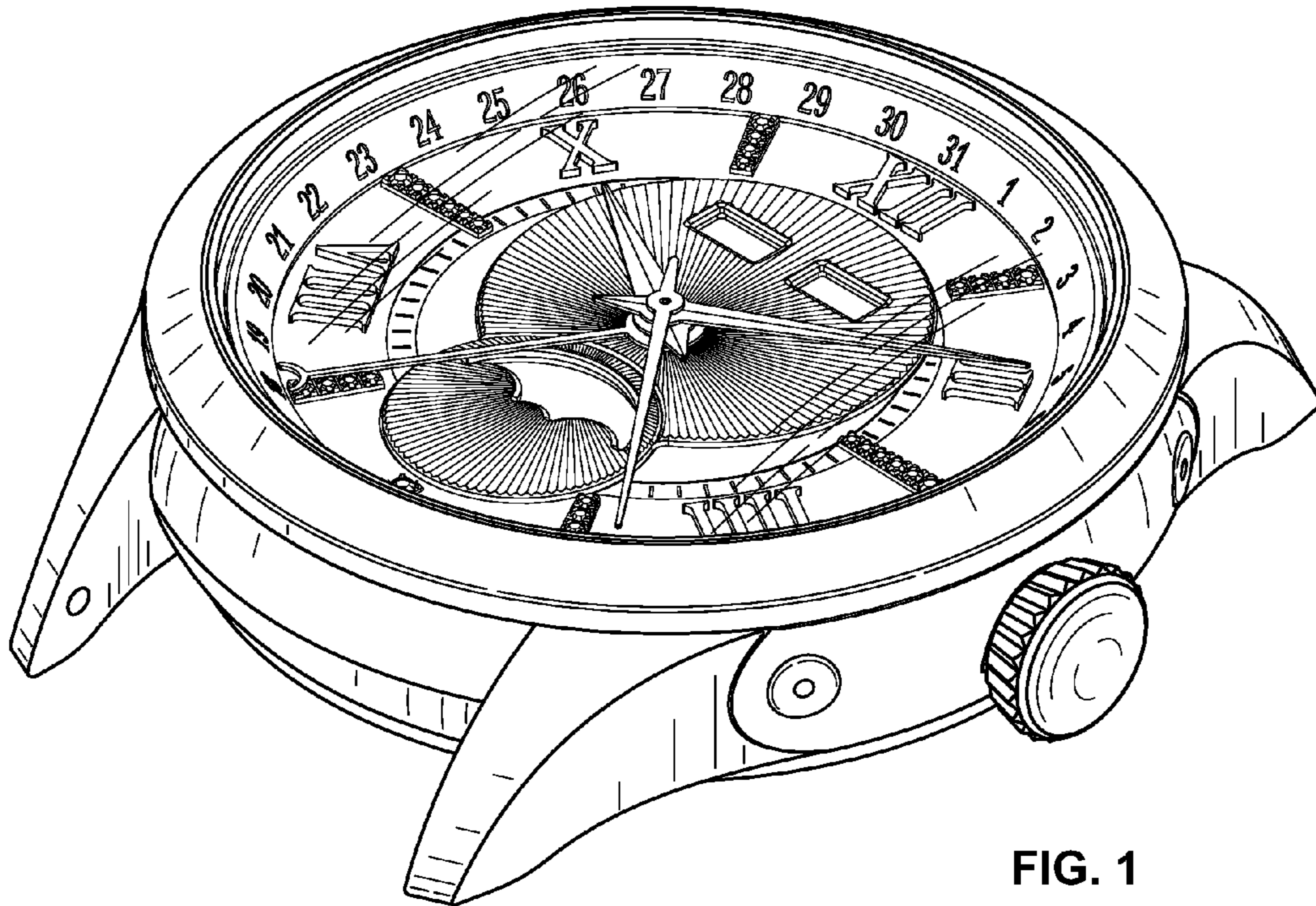


FIG. 1

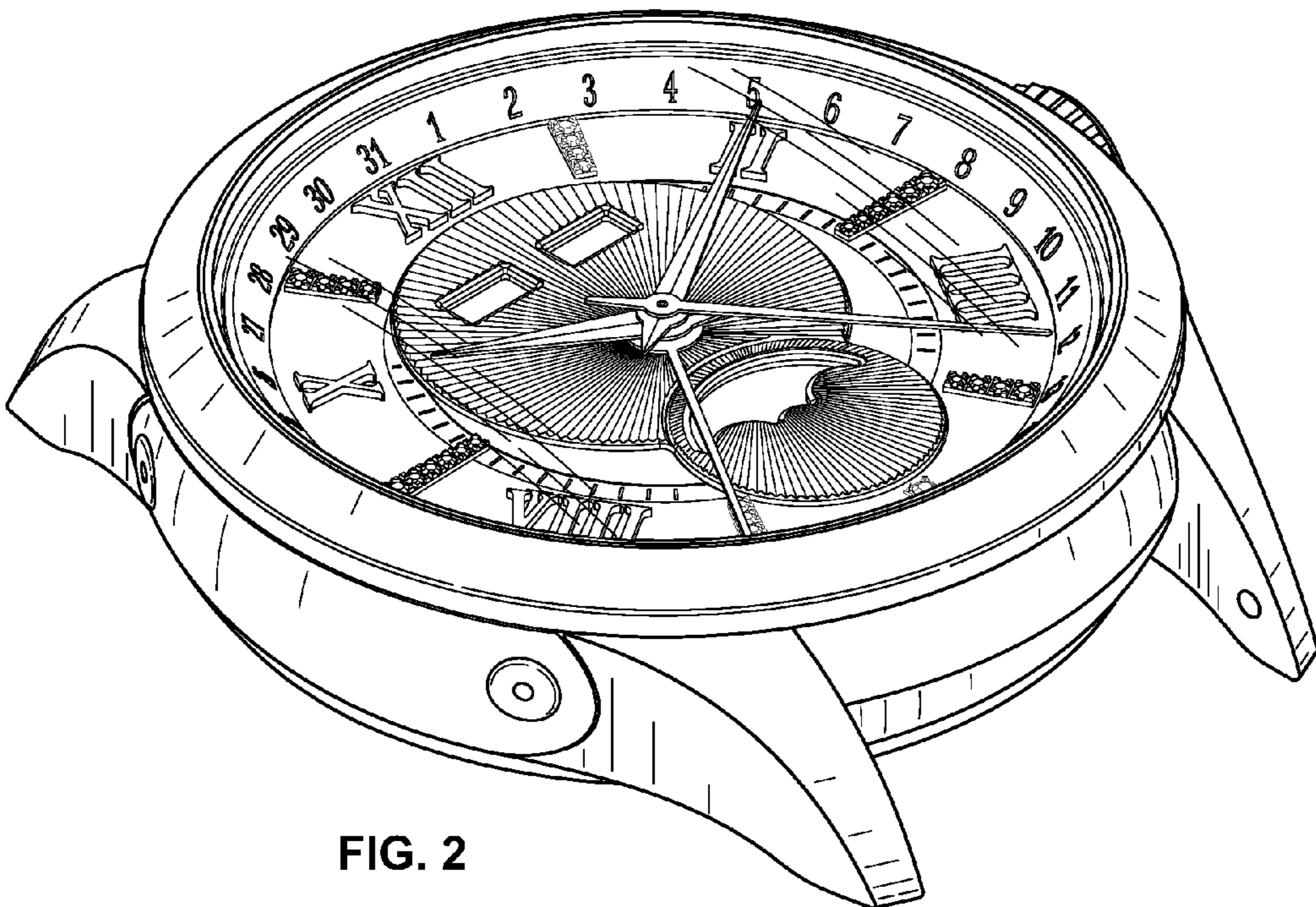


FIG. 2

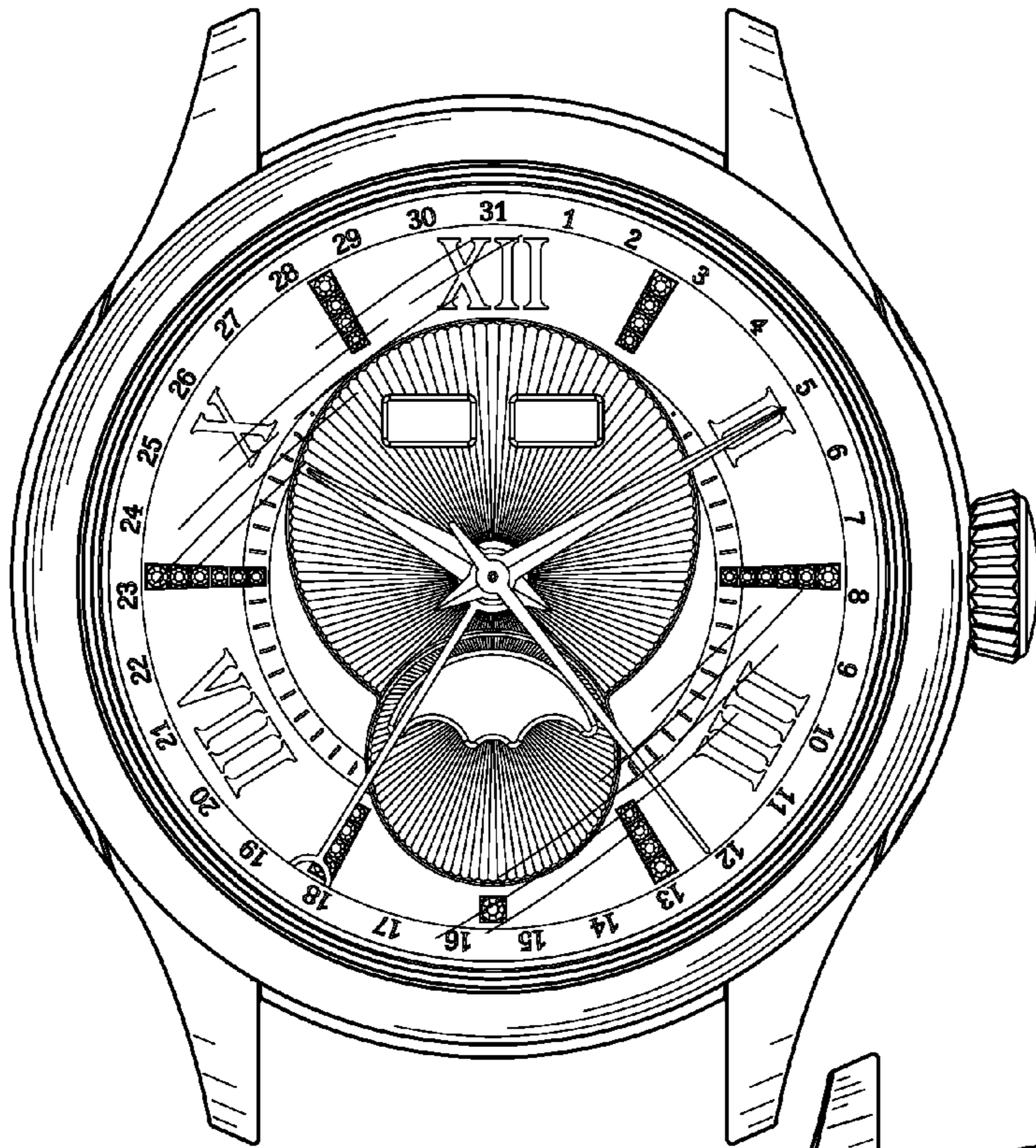


FIG. 3

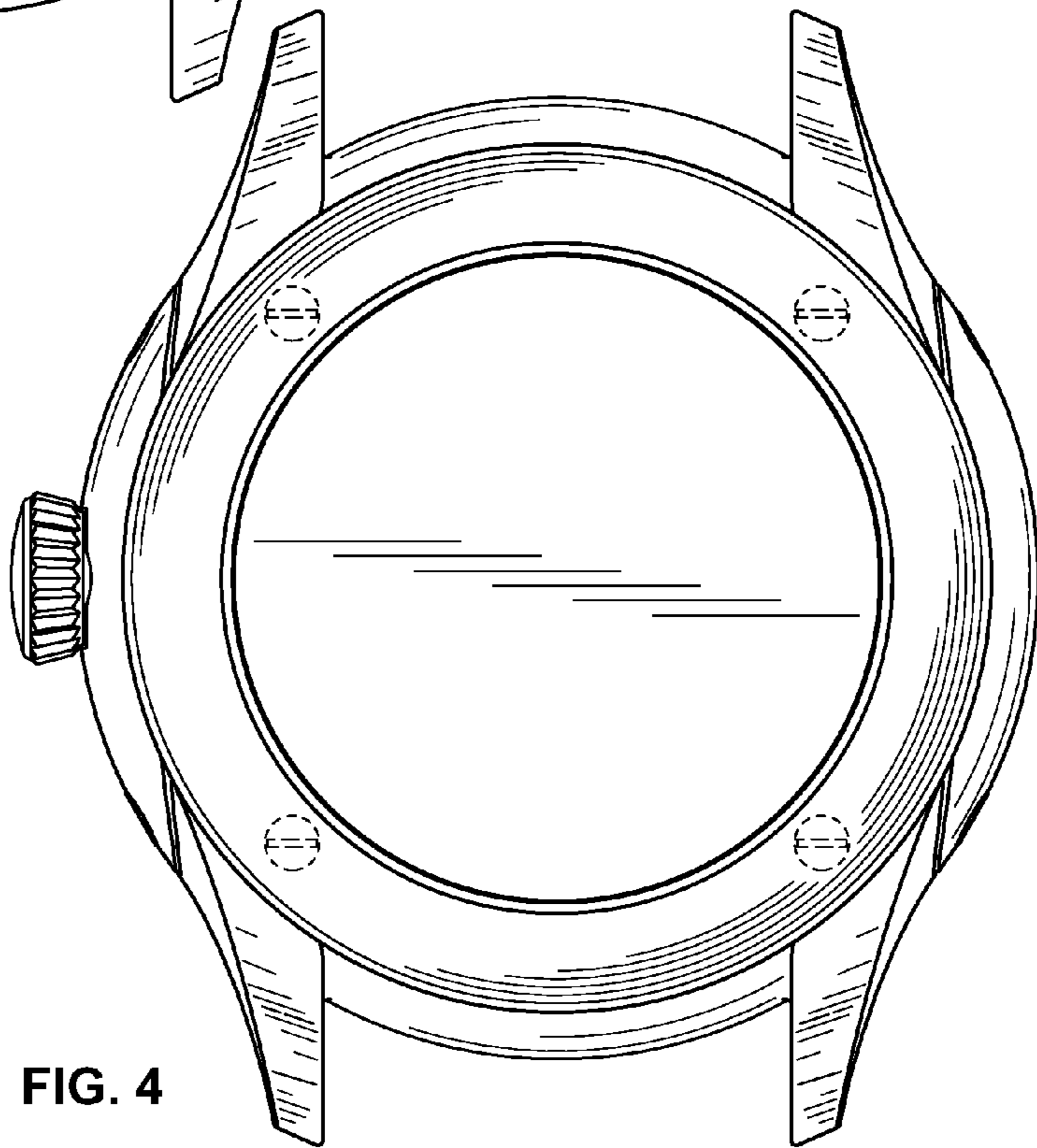


FIG. 4

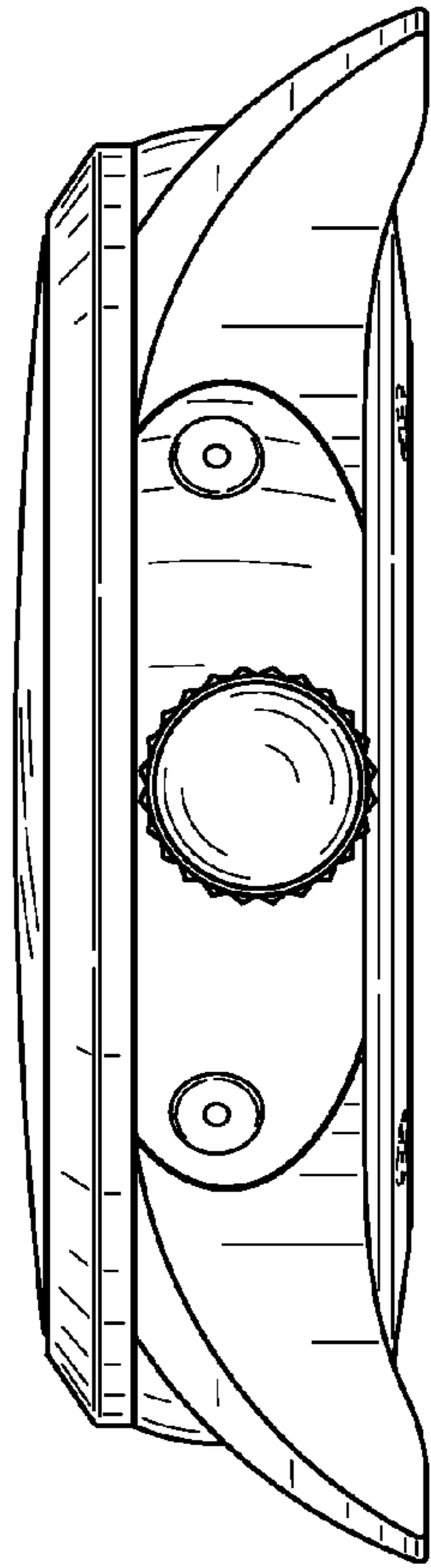


FIG. 5

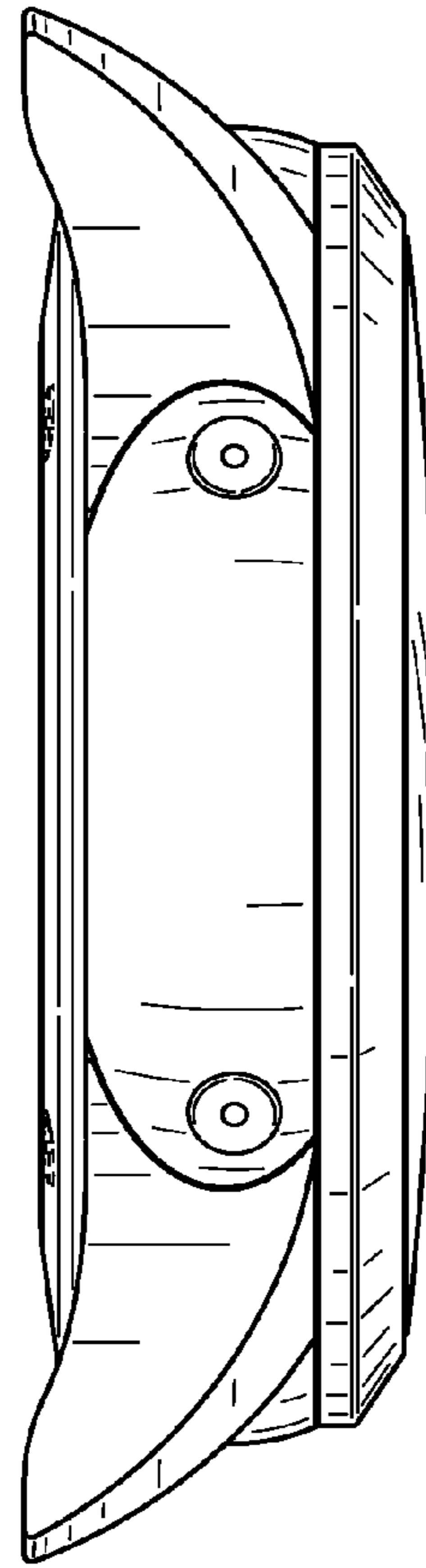


FIG. 6

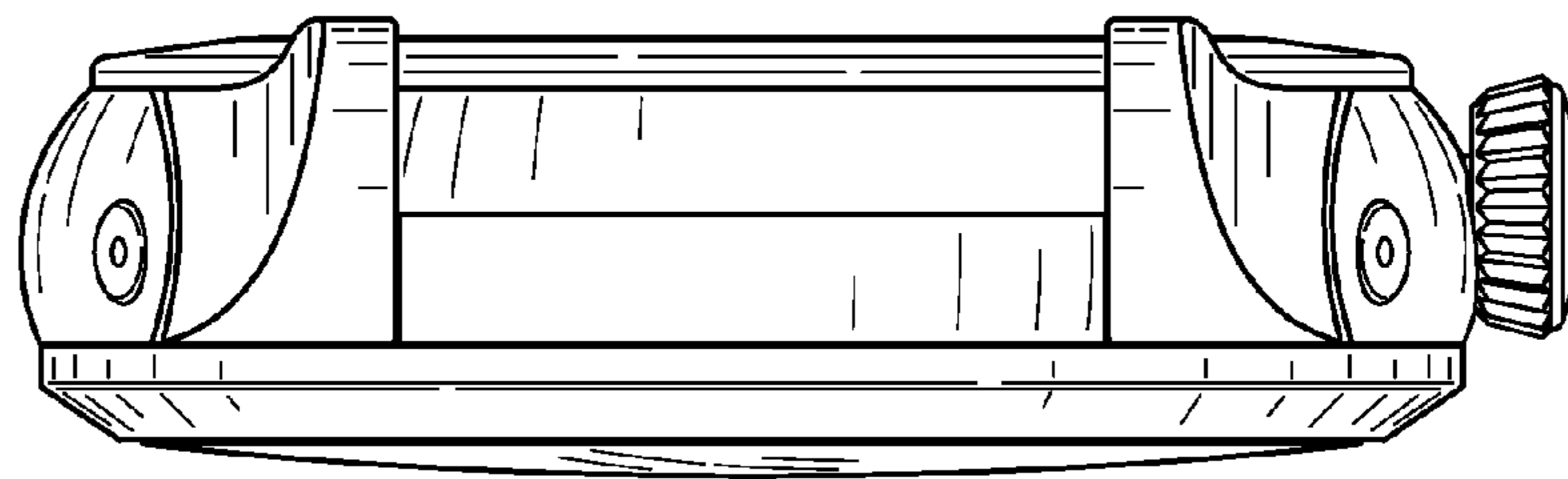


FIG. 7

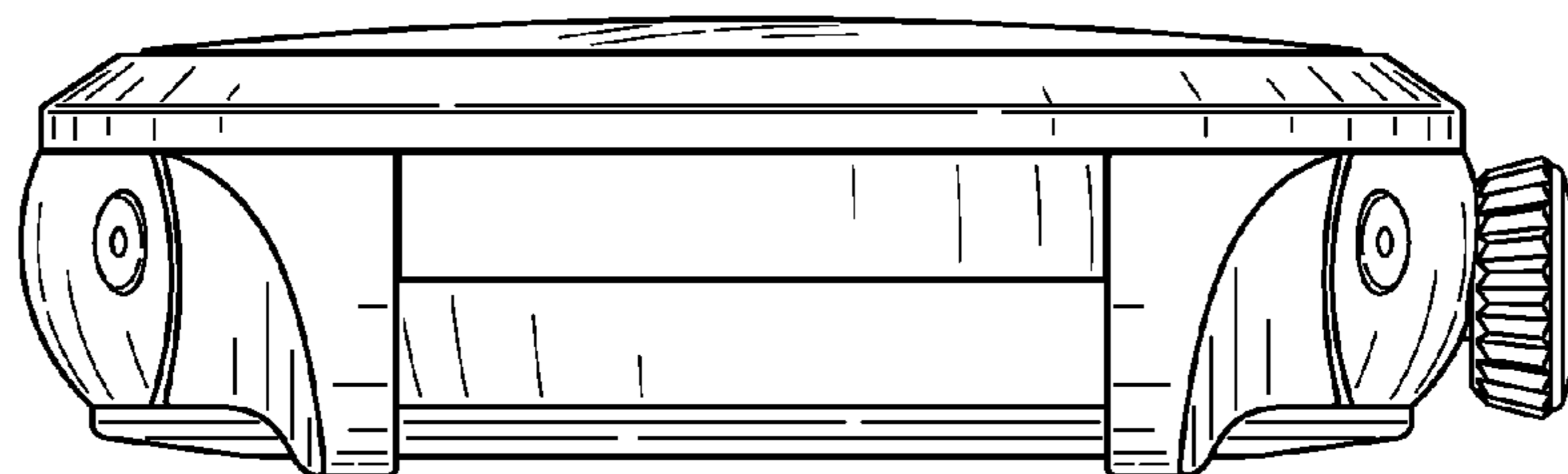


FIG. 8

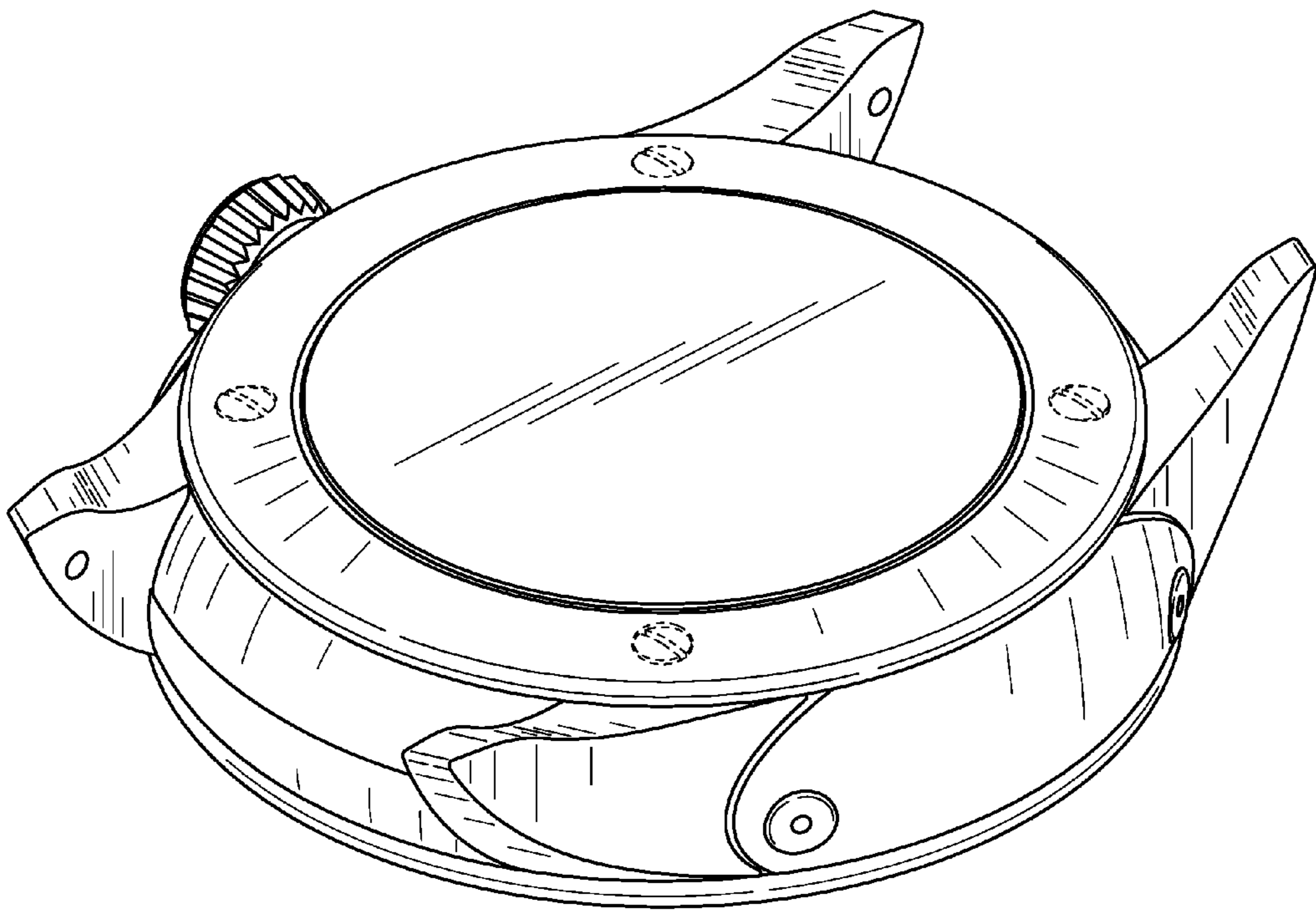


FIG. 9