



US00D693243S

(12) **United States Design Patent**
Goyet

(10) **Patent No.:** **US D693,243 S**

(45) **Date of Patent:** **** Nov. 12, 2013**

- (54) **WATCH**
- (71) Applicant: **Swatch AG (Swatch SA) (Swatch Ltd.)**,
Biel/Bienne (CH)
- (72) Inventor: **Damien Goyet**, Grenchen (CH)
- (73) Assignee: **Swatch AG (Swatch SA) (Swatch Ltd.)**,
Biel/Bienne (CH)
- (**) Term: **14 Years**
- (21) Appl. No.: **29/452,786**
- (22) Filed: **Apr. 22, 2013**

D476,905	S	*	7/2003	El Kadiri	D10/30
D476,906	S	*	7/2003	Nussbaum	D10/30
D477,234	S	*	7/2003	El Kadiri	D10/30
D477,235	S	*	7/2003	El Kadiri	D10/30
6,605,791	B2	*	8/2003	Grupp	200/512
6,672,758	B2	*	1/2004	Ehsam et al.	368/190
6,714,485	B2	*	3/2004	Albisetti et al.	368/27
6,809,993	B1	*	10/2004	Muller et al.	368/242
D502,409	S	*	3/2005	Figueiredo	D10/30
D529,825	S	*	10/2006	Perrenoud	D10/38
D537,740	S	*	3/2007	Grosjean	D10/38
D543,886	S	*	6/2007	Pandel	D10/128
D559,125	S	*	1/2008	Figueiredo	D10/38
D561,049	S	*	2/2008	Figueiredo	D10/38
D568,178	S	*	5/2008	Giannini	D10/32
7,434,984	B2	*	10/2008	Hiranuma et al.	368/295
D621,284	S	*	8/2010	Cerrato	D10/38
D652,328	S	*	1/2012	Laucella et al.	D10/39

- (30) **Foreign Application Priority Data**
- Nov. 28, 2012 (WO) DM/079 655
- (51) **LOC (9) Cl.** **10-02**
- (52) **U.S. Cl.**
- USPC **D10/38**
- (58) **Field of Classification Search**
- USPC D10/30-39, 122-132; 368/276, 281,
368/282, 294, 295
- See application file for complete search history.

* cited by examiner

Primary Examiner — Lucy Lieberman
(74) *Attorney, Agent, or Firm* — Donald J. Ranft; Collen IP

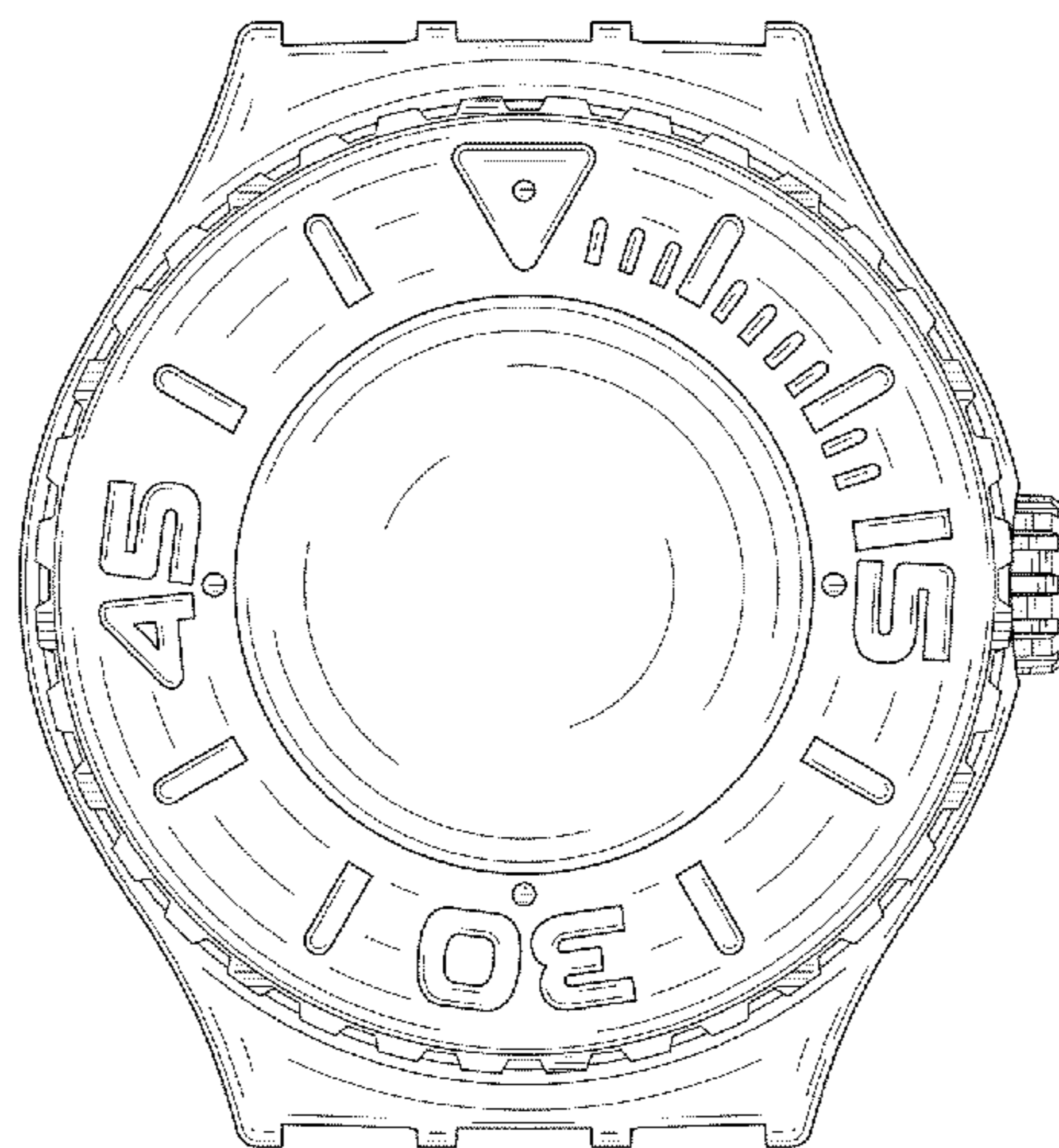
- (56) **References Cited**
- U.S. PATENT DOCUMENTS
- 5,321,670 A * 6/1994 Rebeaud et al. 368/291
- D352,250 S * 11/1994 Giardiello D10/39
- 5,696,741 A * 12/1997 Nussbaum 368/281
- D413,816 S * 9/1999 Schiavo et al. D10/30
- D445,344 S * 7/2001 Haquet D10/30
- 6,356,512 B1 * 3/2002 Martin et al. 368/10

(57) **CLAIM**
The ornamental design for a watch, as shown.

DESCRIPTION

FIG. 1 is a front perspective view of a watch showing my new design;
FIG. 2 is a rear perspective view thereof;
FIG. 3 is a front view thereof;
FIG. 4 is a rear view thereof;
FIG. 5 is a top view thereof;
FIG. 6 is a bottom view thereof;
FIG. 7 is a right side view thereof; and,
FIG. 8 is a left side view thereof.

1 Claim, 3 Drawing Sheets



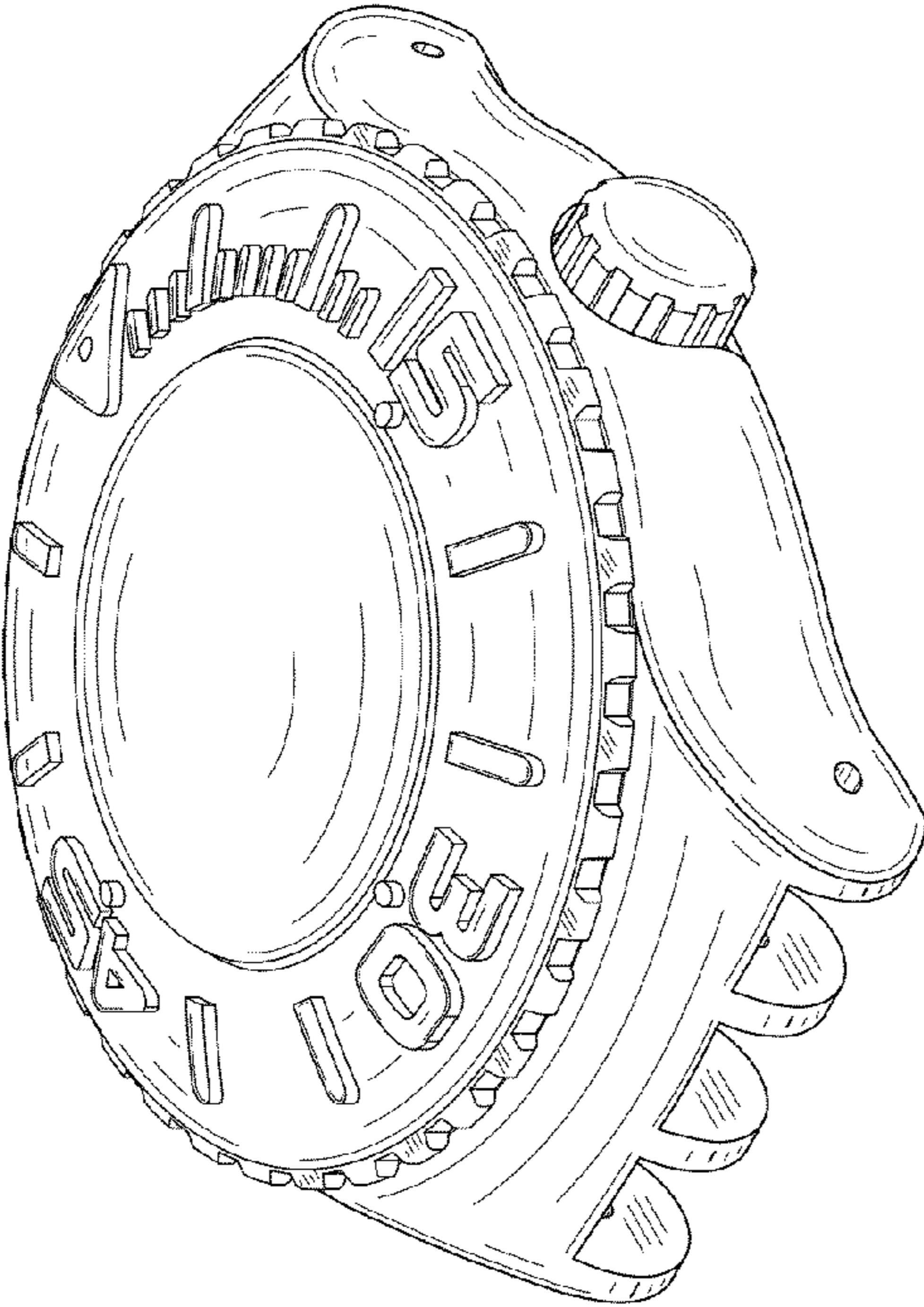


FIG. 1

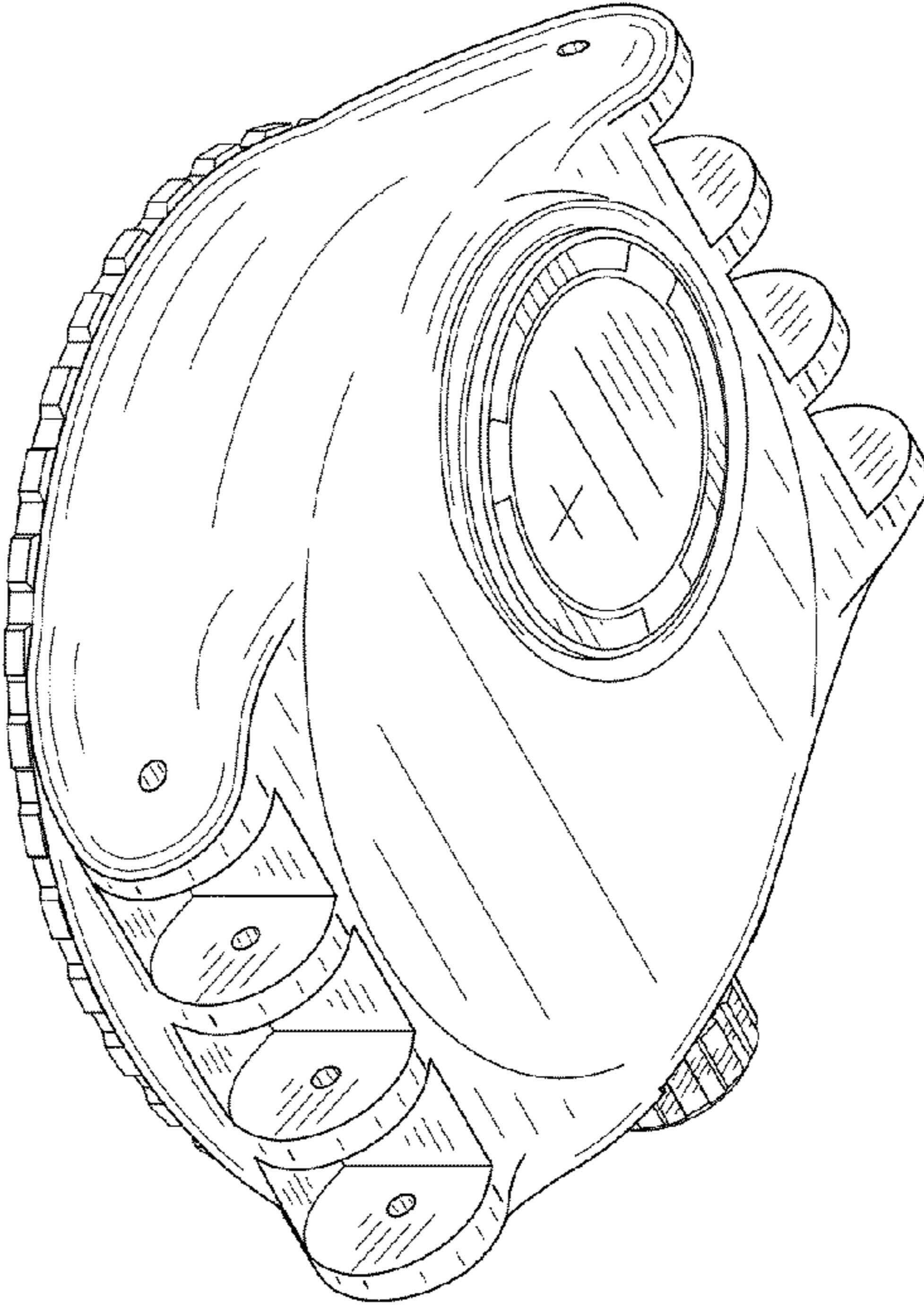


FIG. 2

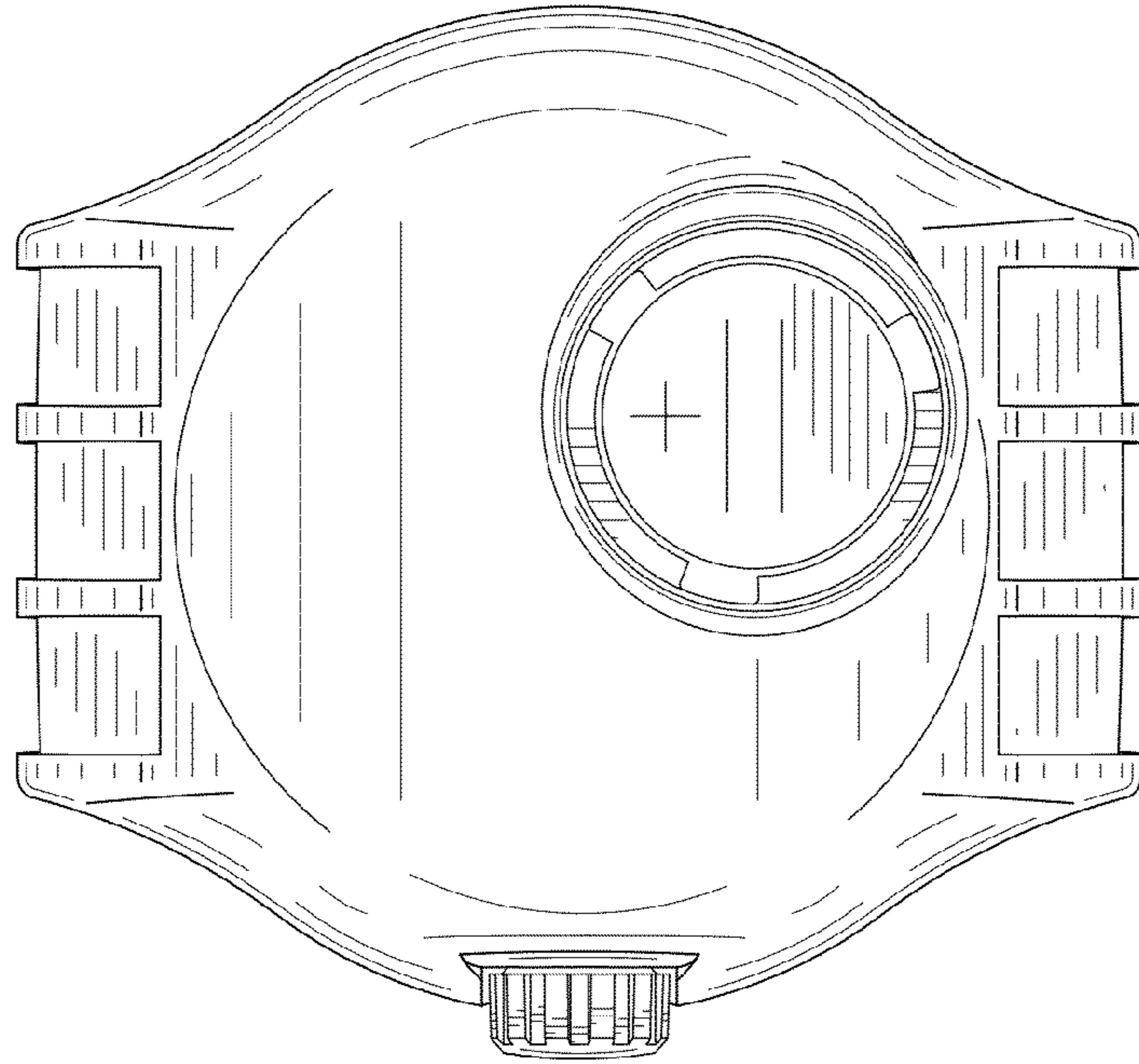


FIG. 4

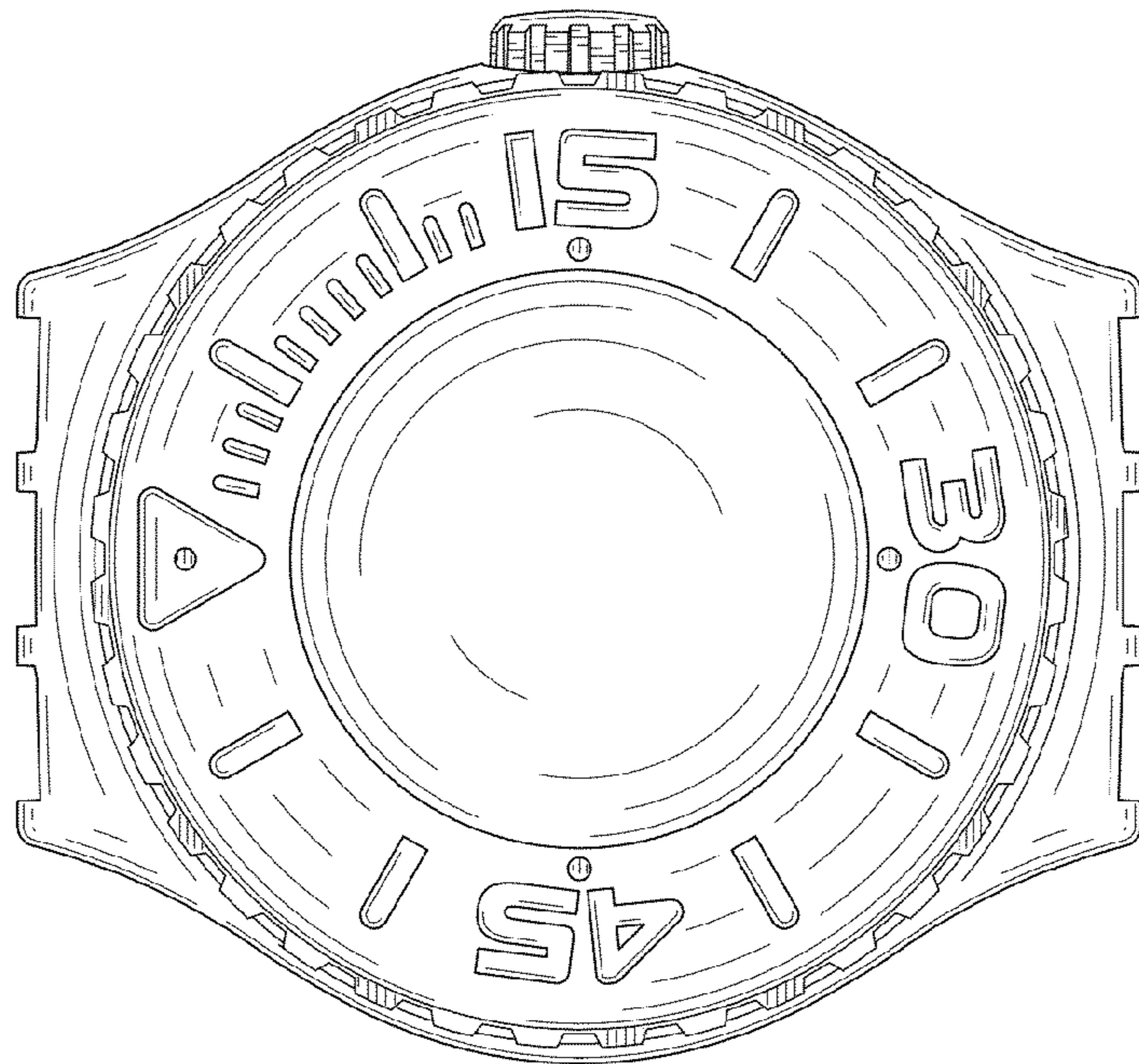


FIG. 3

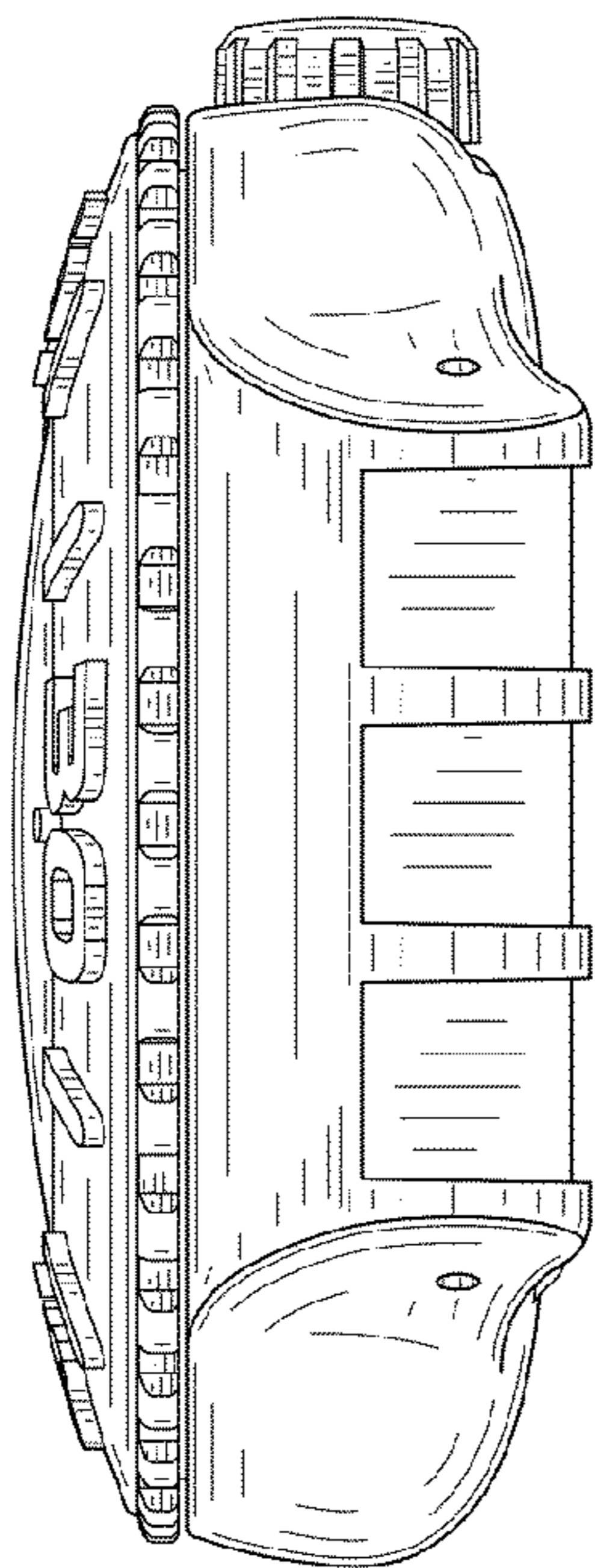


FIG. 5

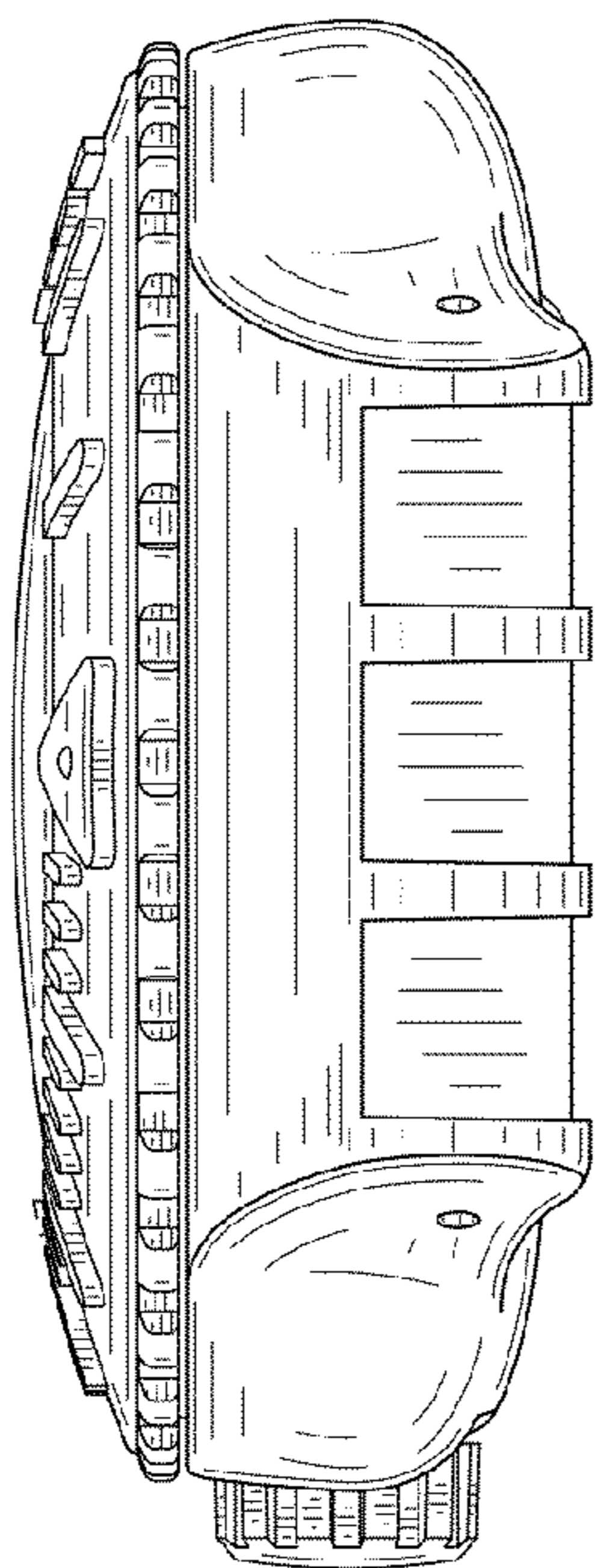


FIG. 6

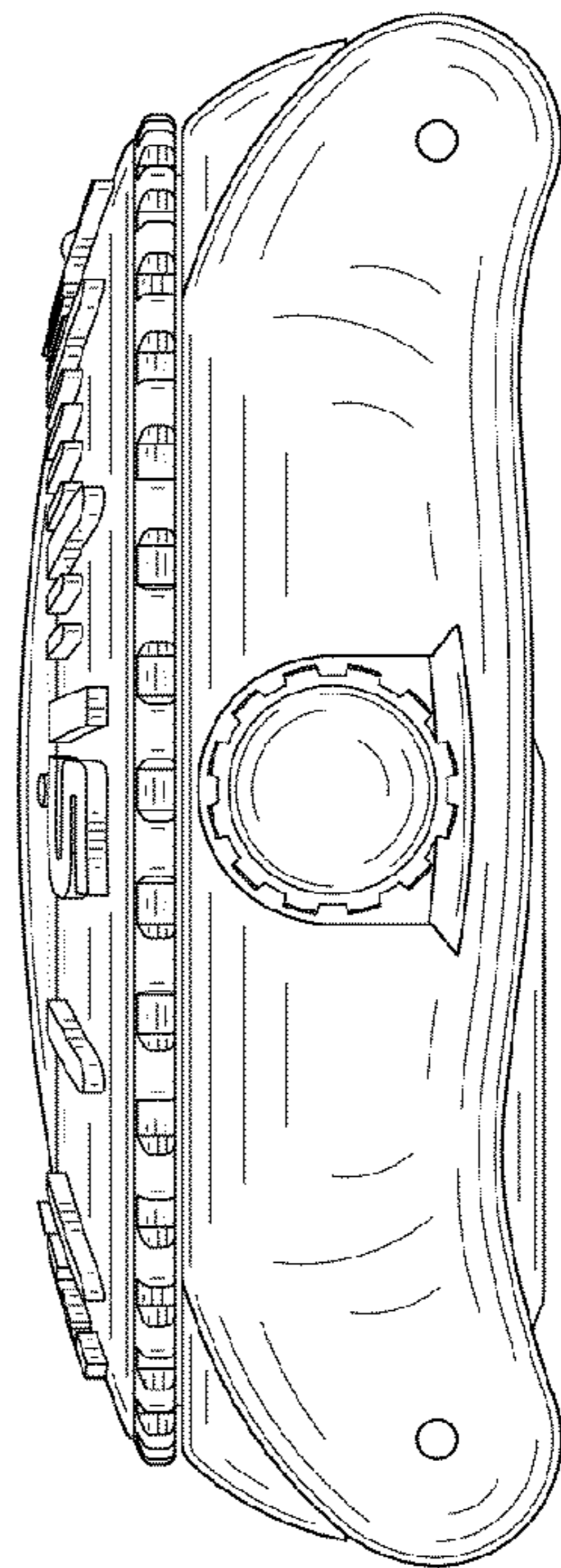


FIG. 7

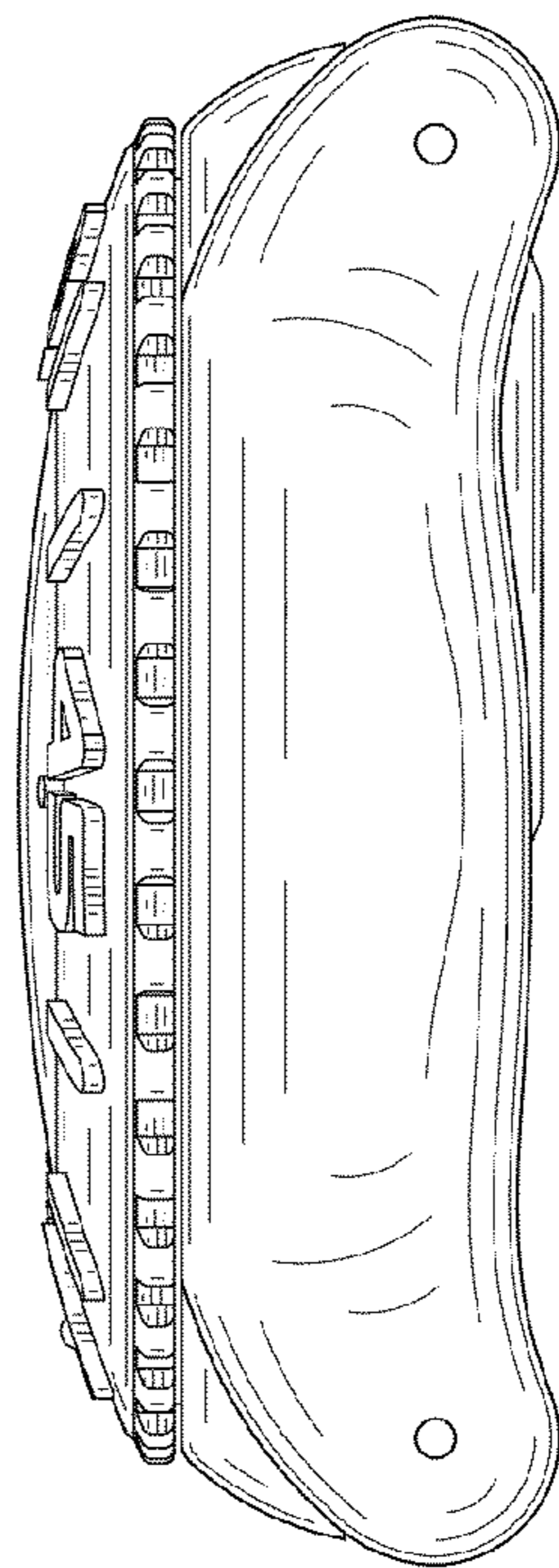


FIG. 8