



US00D693237S

(12) **United States Design Patent**
Bates et al.

(10) **Patent No.:** **US D693,237 S**
(45) **Date of Patent:** **** Nov. 12, 2013**

(54) **FOOD PACKAGE**

(75) Inventors: **Peter Bates**, Concord, MA (US);
Kristin Heist, Cambridge, MA (US);
Christine Horan, Marshfield, MA (US);
Julie King, Fairview, TX (US);
Elizabeth Kneen, Somerville, MA (US);
Jason Robertson, Somerville, MA (US);
David M. Sokolsky, Dallas, TX (US);
Jung Geun Tak, Newton Upper Falls,
MA (US); **Vincent Taylor**, Dallas, TX
(US); **Craig Ziemkiewicz**, Allen, TN
(US)

(73) Assignee: **Daisy Brand, LLC**, Dallas, TX (US)

(**) Term: **14 Years**

(21) Appl. No.: **29/426,574**

(22) Filed: **Jul. 6, 2012**

(51) **LOC (9) Cl.** **09-03**

(52) **U.S. Cl.**
USPC **D9/697**

(58) **Field of Classification Search**
USPC D9/702-714, 425, 429, 414, 575,
D9/693-699, 516, 521, 522, 523, 543-546,
D9/499, 449, 504; 206/260; 229/109, 4.5;
D7/303; 383/61.1, 61.2, 901, 42, 108,
383/104, 119-120, 92; 220/495.03, 675;
222/107, 92; D24/118, 121, 207;
215/316, 328, 321, 379, 381-384;
428/34.3; 426/106

See application file for complete search history.

(56) **References Cited**

U.S. PATENT DOCUMENTS

D459,212 S * 6/2002 Gobe D9/697
D626,860 S * 11/2010 Oates et al. D9/699

FOREIGN PATENT DOCUMENTS

EP 2463213 A1 6/2012
WO WO-2007031330 A1 3/2007

* cited by examiner

Primary Examiner — Caron D Veynar

Assistant Examiner — Abraham Bahta

(74) *Attorney, Agent, or Firm* — Gardere Wynne Sewell LLP

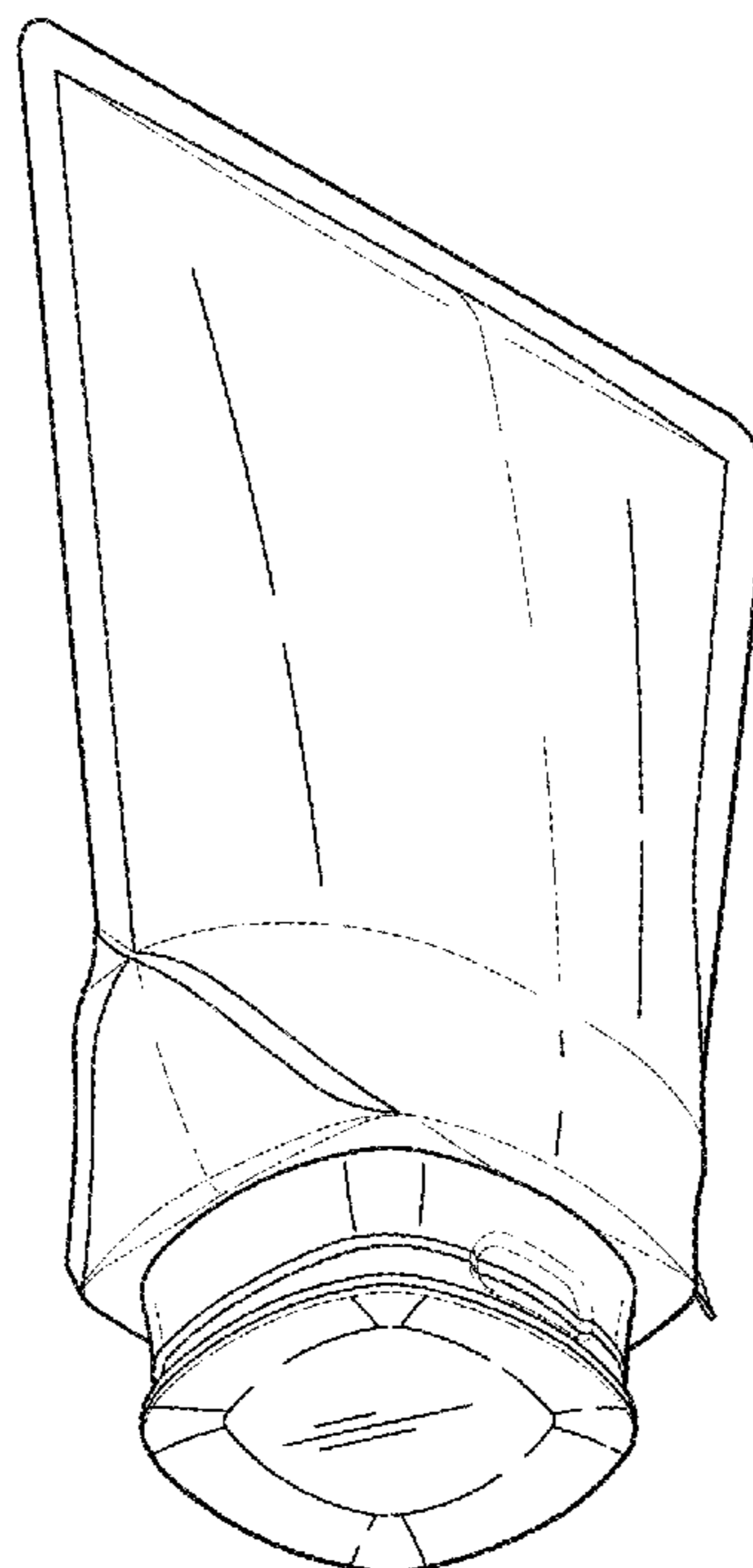
(57) **CLAIM**

The ornamental design for a food package, as shown and described.

DESCRIPTION

FIG. 1 is a perspective view of a food package;
FIG. 2 is a front view of the food package shown in FIG. 1;
FIG. 3 is a rear view of the food package shown in FIG. 1;
FIG. 4 is a left side view of the food package shown in FIG. 1,
the right side being a mirror image thereof;
FIG. 5 is top view of the food package shown in FIG. 1; and,
FIG. 6 is a bottom view of the food package shown in FIG. 1.
The broken line showing of oval-shaped recess is included for
the purpose of illustrating environmental structure and forms
no part of the claimed design.

1 Claim, 2 Drawing Sheets



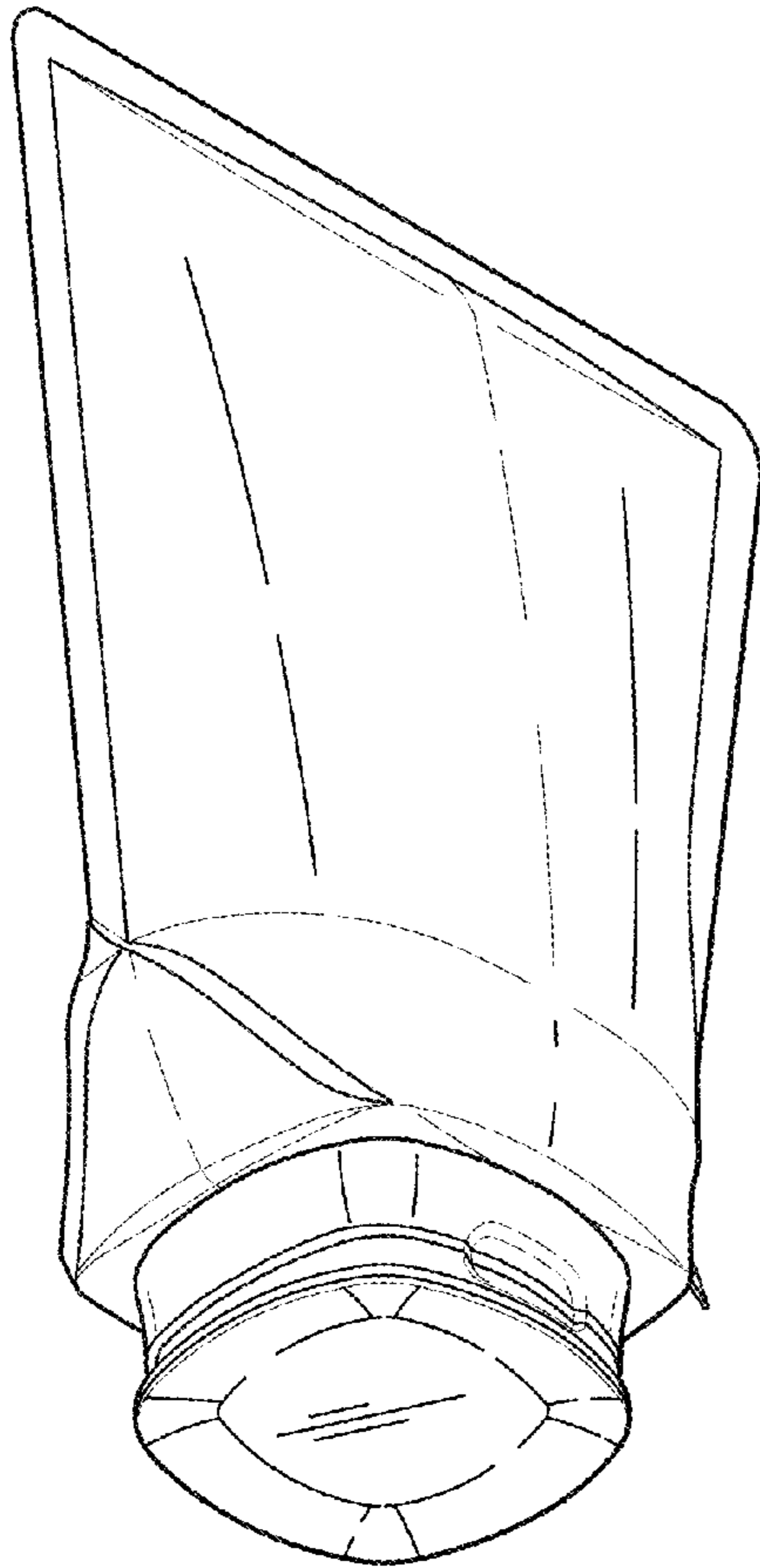


FIG. 1

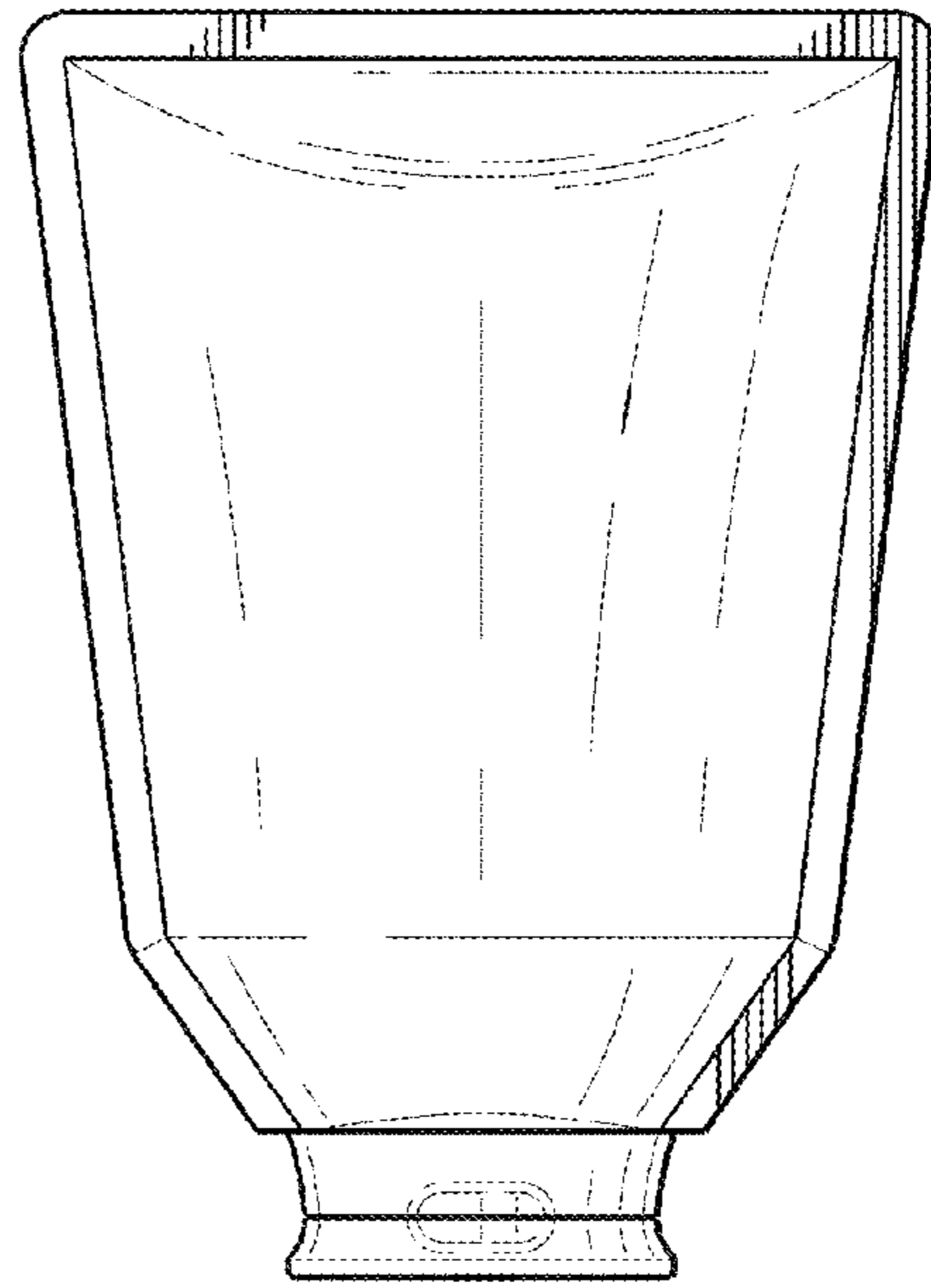


FIG. 2

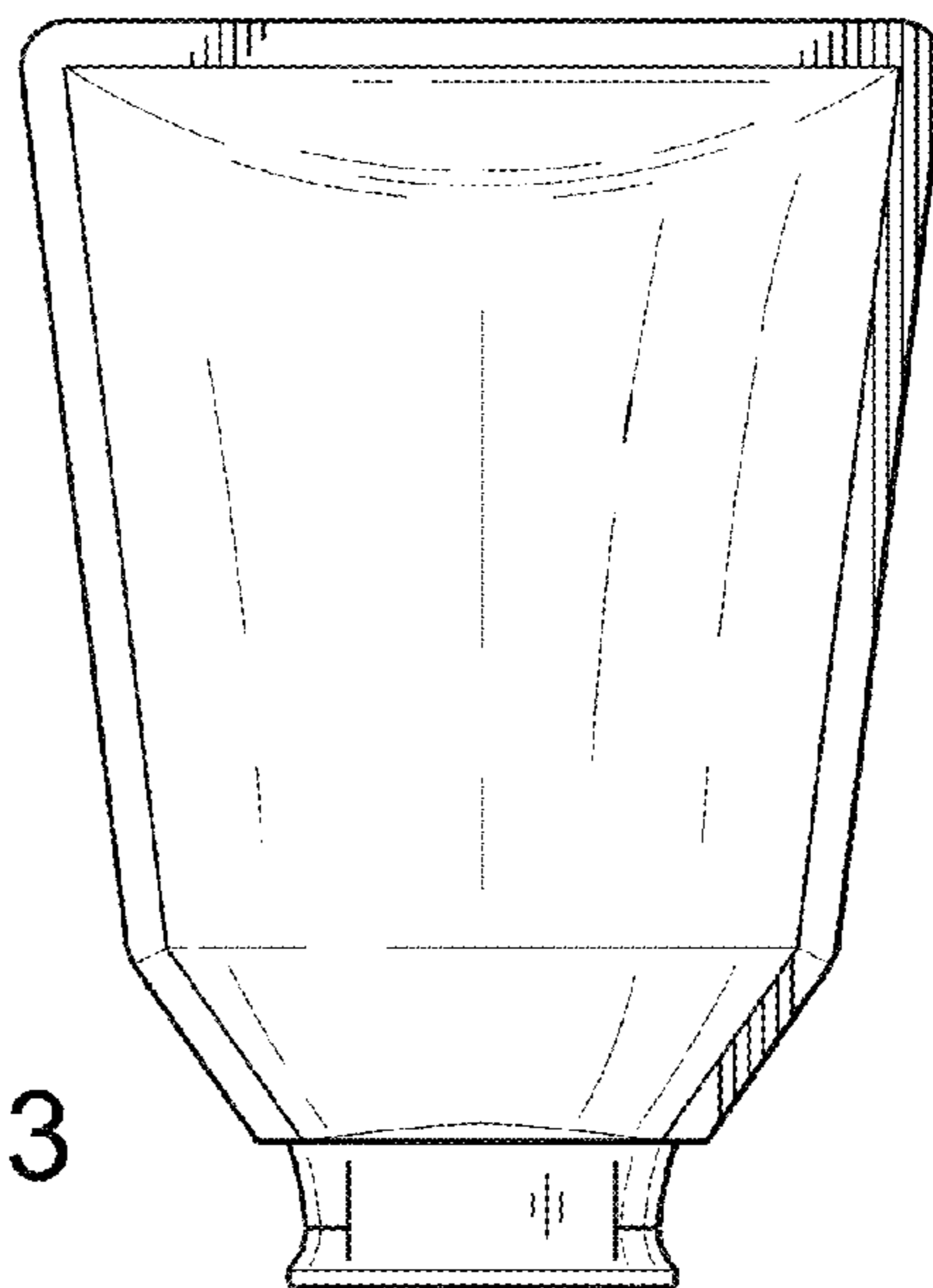


FIG. 3

FIG. 4

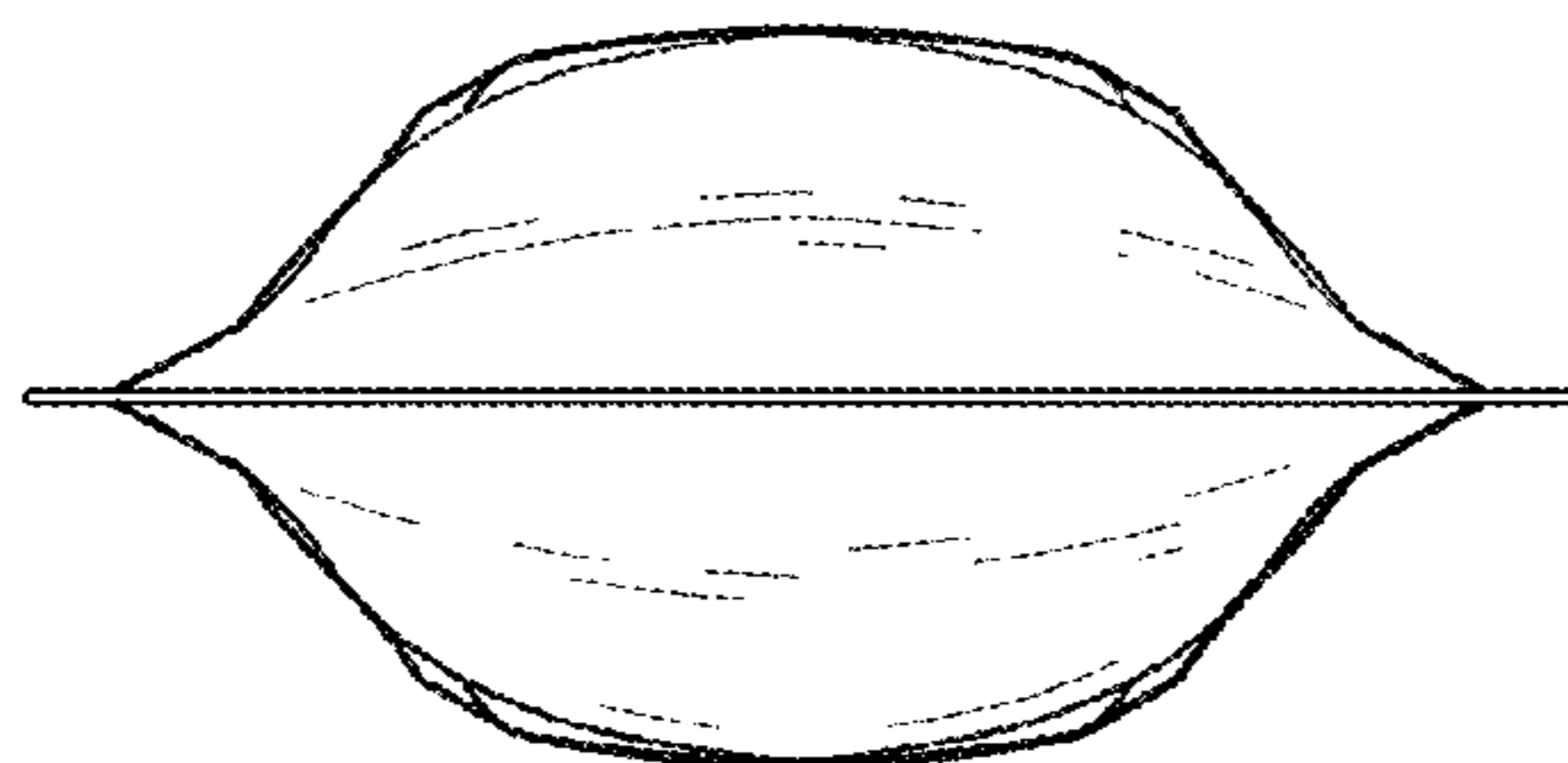
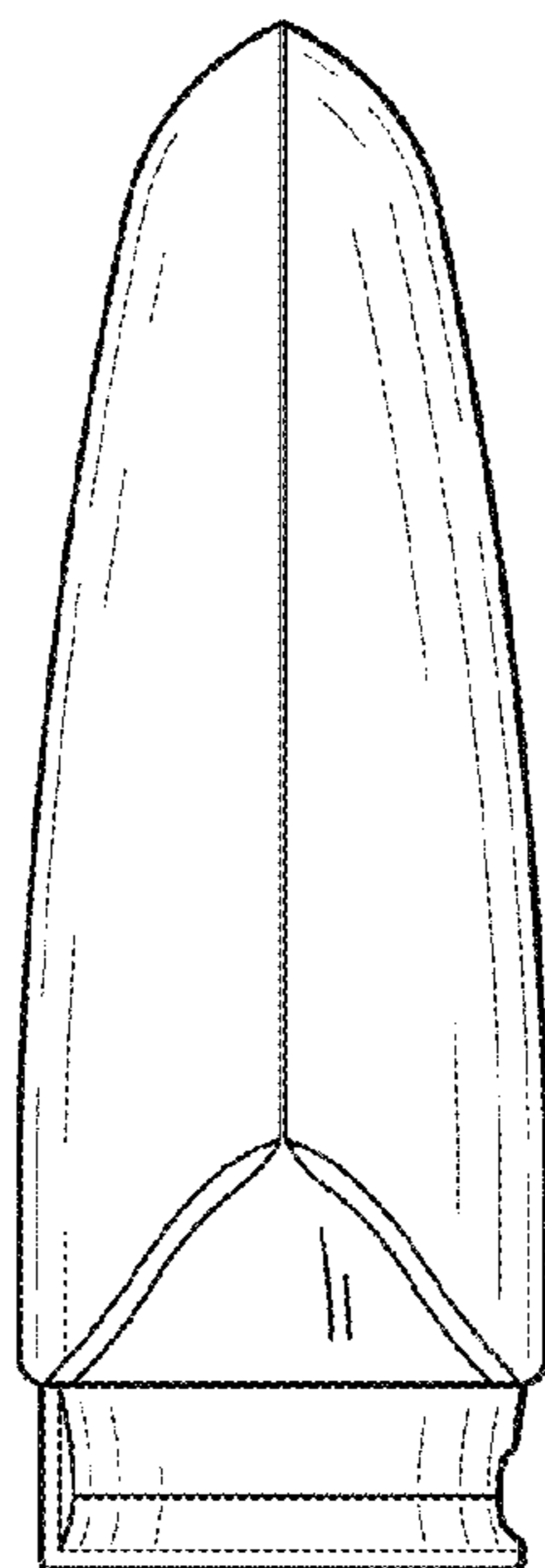


FIG. 5

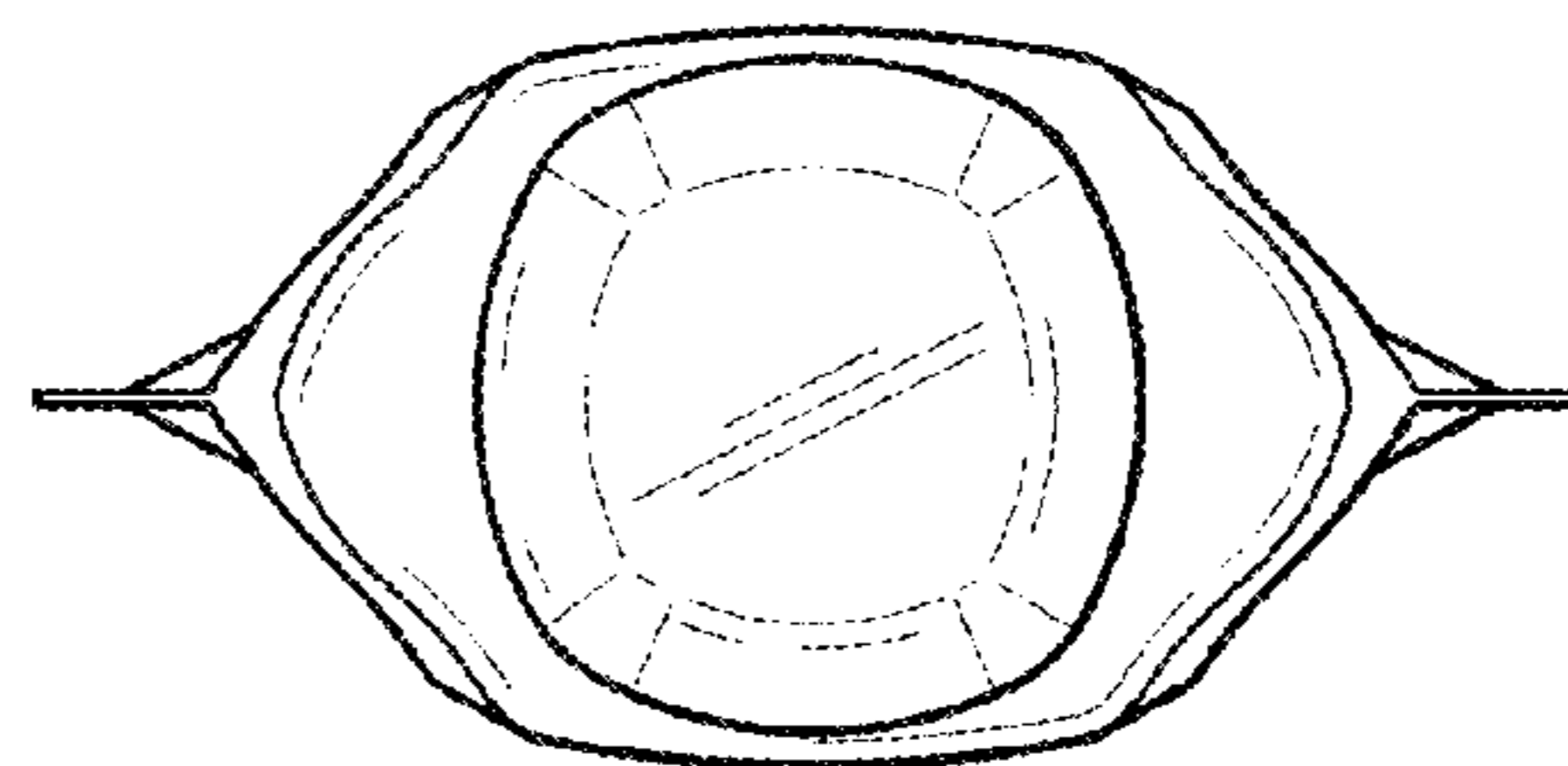


FIG. 6